



Evo America, LLC
 20360 SW Avery Ct.
 Tualatin, OR 97062
 503-626-1802
 evoamerica.com



Model# 10-0075

Evo® Affinity 30Gp - Residential



Please note that the Affinity 30Gp is equipped with a Safety Gas Pilot Light system, which activates both the inner and outer burners when the gas control knob is set to Low, Medium, or High. The safety pilot light consists of a continuously lit small flame that generates a moderate heat on the cooking surface directly above it even when set to Off. .

SHORT FORM SPECIFICATIONS:

The Evo Affinity 30Gp has a 30" (762mm) diameter black seasoned steel cook surface heated underneath by inner and outer gas tube burners. Foods can be prepared directly on the cook surface, and pots and pans may be used as in traditional stove top cooking (either separately or simultaneously). Surface temperatures range from 225°F to 525°F (121°C to 274°C) from the center to the outside edge. Operating on either Natural Gas or Propane LP Gas, the Affinity 30Gp Cooktop is an ideal solution for creating a social cooking space in your outdoor kitchen.

Optional Accessory



30Gp Trim Kit
 Countertop Cutout
 11-0123-ATK

Data

Model	Cook Surface	Dimensions		BTU Rate	Net Weight	Ship Weight
		H	W			
10-0075	30 Inches	11 3/8" 289mm	36 5/32" 918mm	NG 36,267 LP 37,638	163 lbs 73.9 kg	235 lbs 106.6 kg

Due to ongoing product improvement, specifications are subject to change without notice.

Drop-In Gas Cooktop

INDOOR

Circular Flattop Grill Designed To Create A Social Cooking Space In Indoor Residential Kitchens

- 30" (762mm) circular black seasoned steel cooking surface.
- Two temperature zones between inner and outer surface.
- Variable temperatures 225°F to 525°F (121°C to 274°C).
- With LP Propane gas 37,638 BTUs.
- With Natural Gas, 36,267 BTUs.
- Knobs separately control inner and outer burners.
- Electronic push button ignition and standing gas pilot light.
- Natural Gas standard, and LP Propane gas option.

Designed For Custom Built-in Installations

- Drop-in installation required.
- Install directly to metal, or to combustible cabinet construction with 3/8" min. clearance.
- Install to end base or right angle counter configurations.
- Circular cook surface and radius control panel opens design possibilities.

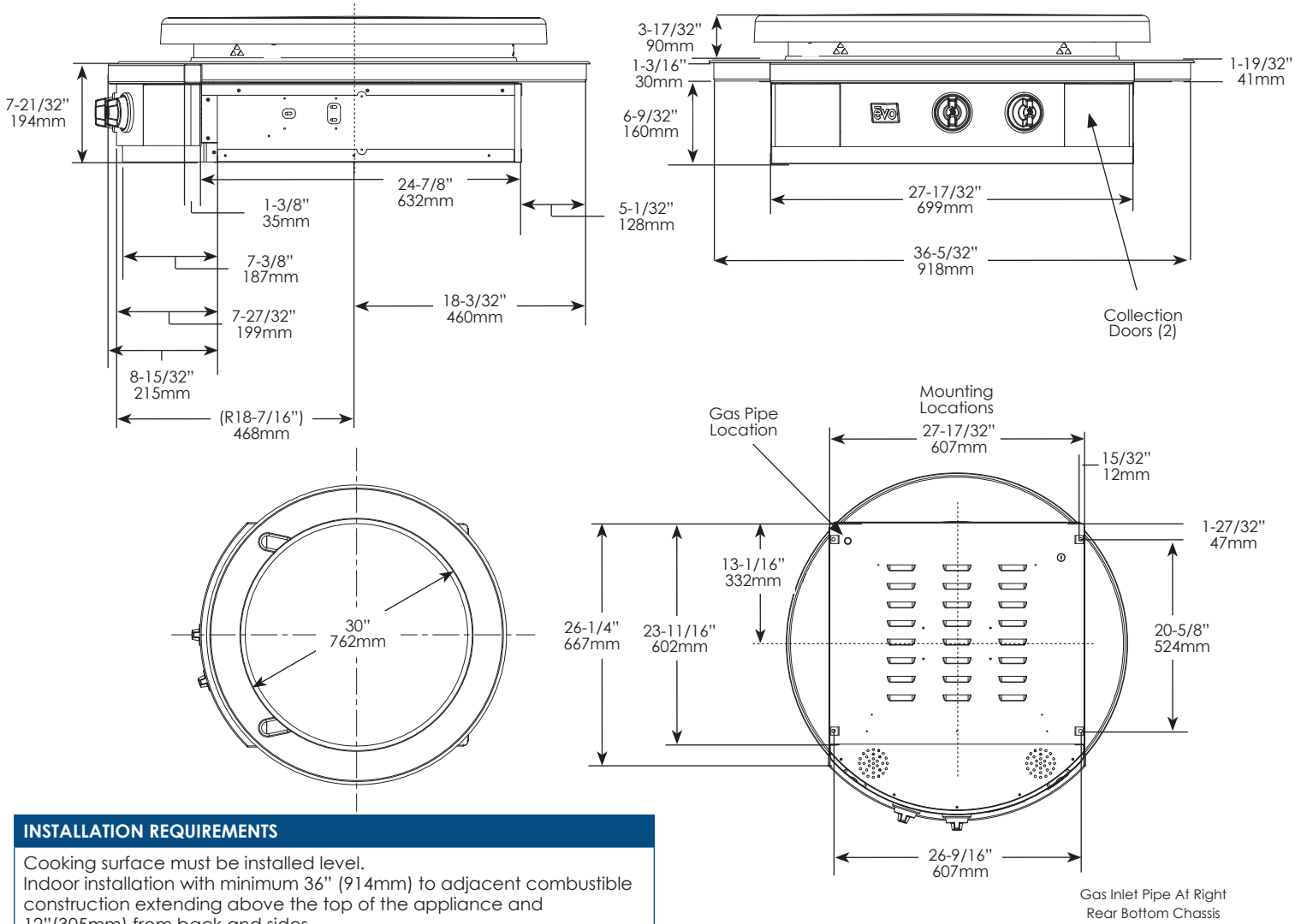
Easy Operation, Easy Maintenance, Easy Cleanup

- Cooking techniques: sauté, braise, flattop (plancha) grilling, deep fry, pan fry, roast, poach, steam, toast.
- Cook surface is extremely durable and easy to clean.
- Stainless steel burners are protected against spill overs.
- Stainless steel drip pan surrounds cook surface with forward spillover slots to dual spill collection trays.
- Spill collection trays are located in doors at each outward side of control panel.





Model# **10-0075** **Evo® Affinity 30Gp - Residential**



INSTALLATION REQUIREMENTS

Cooking surface must be installed level. Indoor installation with minimum 36" (914mm) to adjacent combustible construction extending above the top of the appliance and 12" (305mm) from back and sides.

NATURAL GAS CONNECTION

OPERATING PRESSURE
 No regulator, connect to an outlet pressure of 7" water column.
INLET / SUPPLY CONNECTION
 1/2" FNPT. 12' Hose with 1/2" FNPT Quick Disconnect Supplied.
 1/2" NPT to 3/8" Flare supplied.
BTUs: 36,267
CONNECTION LOCATION
 Gas pipe right rear chassis.

LP PROPANE CONNECTION

OPERATING PRESSURE
 Regulator is set for an outlet pressure of 11" water column.
INLET / SUPPLY CONNECTION
 1/2" FNPT Inlet. 5' Hose & Regulator with QCC1 Supplied.
 1/2" NPT to 3/8" Flare supplied.
BTUs: 37,638
CONNECTION LOCATION
 Gas pipe right rear chassis.

DIMENSIONS

MAXIMUM (H X W)
 11 3/8" x 36-5/32" (289mm x 918mm)
COOK SURFACE
 30" diameter (762mm)

WEIGHT

NET: 163 lb EST. (73.9 kg)
SHIP: 235 lb EST (106.6 kg)
CRATE DIMENSIONS: 42" x 42" x 24" (1066mm x 1066mm x 610mm)

STANDARD FEATURES

- 30" circular black seasoned steel cook surface over dual independent manually controlled gas burners.
- 2 removable spill over trays contained in front doors.
- Electronic push button ignition.
- Mounting brackets included.

ACCESSORIES INCLUDED

- Professional grill surface cleaning kit (3M brand) - Includes handle, cook surface cleaning pad and screen.
- 2 stainless steel spatulas and 1 stainless steel scraper.
- Owner's Manual, Use and Care Instructions & Evo Color Illustrated Cookbook.