



**Evo Affinity 25G  
Residential Gas Cooktop  
For Outdoor Use Only**

Tested &  
Listed By



Portland  
Oregon USA

Certifications:

Certification: ANSI Z21.58-2018/CSA 1.6-2018

OMNI Report# 0141GM001S

Residential Models:

Part#: 10-0095-NG, 10-0095-LP

Doc: 4-1-2024 Copyright © 2024

Cleaning Instructions



evoamerica.com

*Pour obtenir un manuel en français, veuillez appeler Evo, America, LLC au 503-626-1802.*

*For a French Language Manual, please call Evo, America, LLC at 503-626-1802.*

# INSTALLATION INSTRUCTIONS

Affinity 25G

THIS MANUAL MUST BE RETAINED FOR FUTURE REFERENCE. READ, UNDERSTAND, AND FOLLOW THE INSTRUCTIONS AND WARNINGS CONTAINED IN THIS MANUAL.

## **DANGER**

POTENTIALLY HAZARDOUS SITUATION WHICH, IF NOT AVOIDED, COULD RESULT IN DEATH



## **WARNING**

POTENTIALLY HAZARDOUS SITUATION WHICH, IF NOT AVOIDED, COULD RESULT IN DEATH OR SERIOUS INJURY



## **CAUTION**

POTENTIALLY HAZARDOUS SITUATION WHICH, IF NOT AVOIDED, MAY RESULT IN MINOR OR MODERATE INJURY.



## **CAUTION**

Helpful tips and technique instructions are shown.



## **Notes**

### **To Installer or Person Uncrating Grill:**

Leave these instructions with purchaser.

### **To Purchaser:**

Keep these instructions for future reference.

### **Complete Now For Future Reference**

Model # \_\_\_\_\_ Serial # \_\_\_\_\_

Date Purchased \_\_\_\_\_ Location Purchased \_\_\_\_\_

Date Installed \_\_\_\_\_ Location Installed \_\_\_\_\_

## Warnings

### FOR YOUR SAFETY

1. Do not store or use gasoline or other flammable vapors and liquids in the vicinity of this or any other appliance.
2. An LP Tank not connected for use shall not be stored in the vicinity of this or any other appliance.

### FOR YOUR SAFETY

#### If You Smell Gas:

1. Shut off gas to appliance.
2. Extinguish any open flame.
3. Remove grill cooking surface.
4. If odor continues, immediately call your gas supplier or your fire department.
5. Evacuate all personnel from the area.

## WARNING

It is the responsibility of the assembler/owner to assemble, install and maintain gas grill. Do not let children operate or play near your grill. Failure to follow these instructions could result in serious personal injury and / or property damage.

## WARNING

This symbol identifies the most important safety messaging in this manual. When you see this symbol, be alert to the possibility of serious bodily injury if the instructions are not followed. Be sure to read and carefully follow all of the messages.

## WARNING

Improper installation, adjustment, alteration, service or maintenance can cause property damage, injury or death. Read the installation, operating and maintenance instructions thoroughly before installing or servicing this equipment.

## WARNING

Grill should only be used outdoors, in a well ventilated space, and should not be used in a building, garage, or any other enclosed area. Never operate near flammable liquids or vapors. Do not install or use grill within 36" of combustible ceiling materials, and 12" from back and sides of grill. Grill shall not be located under unprotected overhead made of combustible construction within 36" from top of grill. Do not obstruct the flow of combustion and ventilation air, including ventilation of cylinder enclosures, if applicable.

### READ FIRST IMPORTANT PRODUCT AND SAFETY INFORMATION

**WARNING** INSTALLATION OF THIS UNIT MUST BE DONE BY A QUALIFIED PLUMBER. INCORRECT INSTALLATION CAN CAUSE INJURY TO PERSONNEL AND/OR DAMAGE TO EQUIPMENT. THIS UNIT MUST CONFORM WITH ALL LOCAL CODES, OR IN THE ABSENCE OF LOCAL CODES, WITH THE NATIONAL FUEL GAS CODE, ANSI Z223.1/NFPA 54, OR THE NATURAL GAS AND PROPANE INSTALLATION CODE, CSA B149.1, AS APPLICABLE INCLUDING:



1. THIS UNIT AND ITS INDIVIDUAL SHUTOFF VALVE MUST BE DISCONNECTED FROM THE GAS SUPPLY PIPING SYSTEM DURING ANY PRESSURE TESTING OF THE SYSTEM AT TEST PRESSURES IN EXCESS OF 1/2 PSI (3.45 kPa).

2. THIS UNIT MUST BE ISOLATED FROM THE GAS SUPPLY PIPING SYSTEM BY CLOSING ITS INDIVIDUAL MANUAL SHUTOFF VALVE DURING ANY PRESSURE TESTING OF THE GAS SUPPLY PIPING SYSTEM AT TEST PRESSURES EQUAL TO OF LESS THAN 1/2 PSI (3.5 kPa).

**WARNING** DO NOT DIRECTLY INSTALL THIS UNIT TO COMBUSTIBLE SURFACES, AND DO NOT USE COMBUSTIBLE MATERIALS IN THE CONSTRUCTION OF ANY COUNTER, STAND, OR OTHER DEVICE WHICH WILL COME INTO DIRECT CONTACT WITH THE BURNER CHASSIS (SEE PAGE



**WARNING** IMMEDIATELY AFTER CONNECTING GAS SUPPLY LINE AND BEFORE FIRST IGNITION, CHECK ALL GAS CONNECTIONS WITH SOAPY WATER TO TEST FOR LEAKS.



**WARNING** KEEP WATER AND ALL COOKING SPILL OVERS AWAY FROM FRONT CONTROL PANEL AND ALL OPEN SERVICE AREAS. NEVER HOSE UNIT, OR SPRAY UNIT WITH PRESSURIZED CLEANING SOLUTIONS.



**CAUTION** CAREFULLY FOLLOW ALL INSTALLATION INSTRUCTIONS AND CONSTRUCT ALL COUNTER SPACE, STANDS, OR OTHER SURFACES TO THE RECOMMENDED INSTALLATION SPECIFICATIONS AS OUTLINED IN THIS MANUAL.



**CAUTION** THIS UNIT IS HEAVY AND SHOULD BE INSTALLED BY TWO PEOPLE. USE NECESSARY BLOCKING FOR LOCATING AND INSTALLING COOK SURFACE.



**CAUTION** ALWAYS KEEP ANY AND ALL FLAMMABLE LIQUIDS AND COMBUSTIBLE MATERIALS AWAY FROM UNIT. DO NOT STORE TOWELS OR UTENSILS, OR ANY OTHER ITEMS ON UNIT'S DRIP PAN.



**CAUTION** DO NOT CLEAN THE COOK SURFACE WITH GRILL BRICKS OR CLEANING SOLUTIONS. USE ONLY GRILL SCREENS AND GRILL PADS AND FOLLOW THE PRESCRIBED METHOD OF CLEANING AS OUTLINED IN THIS MANUAL.



**NOTICE** THE SERIAL NUMBER AND MODEL INFORMATION LABEL PLATE IS LOCATED INSIDE THE RIGHT-SIDE SPILLOVER DOOR.



**NOTICE** INSTALLATION OF ANY VENT HOODS OR FIRE EXTINGUISHER SYSTEMS MUST CONFORM TO THE NATIONAL, STATE, AND LOCAL BUILDING AND ALL APPLICABLE UNIFORM CONSTRUCTION CODES.



**NOTICE** DURING THE FIRST FEW HOURS OF OPERATION IT IS NORMAL FOR OILS USED IN THE MANUFACTURING PROCESS TO BURN OFF AND GIVE AN ODOR OR SLIGHT PETROLEUM SMOKE.



### EVO RESIDENTIAL LIMITED WARRANTY TERMS

Evo America, LLC warrants to the original residential consumer-purchaser that the Evo grill shall be free from rust-through on all metal surfaces and shall be free from defects in materials and workmanship under normal and reasonable use from the original date of purchase. Evo promises to replace, at its determination, any product or component that is defective and covered under this warranty for as long as you, the registered original consumer-purchaser, owns the grill. This is your sole and exclusive remedy. This warranty is for the benefit of the original consumer-purchaser and is non-transferable. This warranty is subject to the limitations, exclusions and other provisions listed below.

#### Limitations Involving Materials and Components:

Warranty does not apply to normal wear and tear, which are expected over the course of ownership. The materials and components listed below are covered according to the following schedule from the original date of purchase:

- **One Year** – electrical and electronic components [including, but not limited to, electronic displays, overlay and membrane switches, temperature sensors (K-Value Thermal Couple), hot surface igniters, computers, transformers, heater elements, relays, igniters, ignition controllers, wiring, switches, encoders, outlets and plugs]
- **One Year** – gas components [including, but not limited to, gas regulator, gas hoses, manifold assemblies]
- **One Year** – accessories and repair parts

**The Warranty Registration Card (or online warranty registration form available at [www.evoamerica.com/content/residential-warranty-registration](http://www.evoamerica.com/content/residential-warranty-registration)) must be completed and returned/submitted to Evo America, LLC within 30 days from the date of purchase. The original purchase invoice or payment record must be retained and produced upon request if claims are made under this warranty. To receive a replacement Warranty Registration Card, write or call the address listed at the bottom of this page. Warranties are void if the original serial numbers have been removed, altered, or cannot be readily determined.**

**THIS WARRANTY APPLIES ONLY TO PRODUCTS PURCHASED AND LOCATED WITHIN THE UNITED STATES OR CANADA.**

#### WHAT IS NOT COVERED BY THIS WARRANTY

1. Conditions and damages resulting from any of the following:
  - a. Improper or inadequate installation, delivery, use, storage or maintenance
  - b. Any repair not authorized in writing by Evo, America, LLC, any modifications, misapplications, or unreasonable use
  - c. Improper setting of any control
  - d. Harsh environmental conditions, including, but not limited to, continual seawater spray, high pressure water, and direct contact with corrosive chemicals and materials
  - e. Excessive or inadequate electrical, or gas supply
  - f. Accidents, natural disasters, acts of God
  - g. Conditions covered by the purchaser's insurance
  - h. Cleaning supplies and filters
2. Products purchased or utilized for commercial use without the express authorization of Evo America, LLC for such use
3. Labor not pre-authorized by Evo America, LLC, and labor not performed by an authorized Evo service agency or representative
4. Pre-authorized warranty labor performed outside of normal business hours, and at overtime and premium rates
5. The cost of service or a service call to:
  - a. Identify or correct installation errors
  - b. Transport the product or component for service to/from the manufacturer or service center
  - c. Instruct the user of the proper use of the product
6. The cost for any inconvenience, personal injury or property damage due to failure of the product, and cost of damage arising out of the transportation of the product which is covered under different terms with the carrier
7. Natural variations in color and finishes that are inherent to the material and unavoidable (and therefore not defects)

ALL IMPLIED WARRANTIES, INCLUDING THE IMPLIED WARRANTIES OF MERCHANTABILITY, SUITABILITY, QUALITY AND/OR FITNESS FOR A PARTICULAR PURPOSE, ARE LIMITED IN DURATION TO THE EXPRESS WARRANTY PERIODS SPECIFIED ABOVE FOR THE PARTS DESCRIBED THEREIN. EVO AMERICA, LLC MAKES NO OTHER WARRANTY AND WILL NOT BE LIABLE FOR ANY DIRECT OR INDIRECT, CONSEQUENTIAL OR INCIDENTAL DAMAGES. Some states do not allow limitations on how long an implied warranty lasts, so the above limitation may not apply to you. Neither Evo manufacturer representatives and dealers, nor the retail establishment selling this product has any authority to make any warranties or to promise remedies in addition to or inconsistent with those stated above. The maximum liability to Evo America, LLC in any event, shall not exceed the purchase price of the product paid by the original consumer-purchaser. Some states do not allow the exclusion or limitation of incidental or consequential damages, so the above limitations or exclusions may not apply to you. This warranty gives you specific legal rights, and you may also have other rights which vary from state to state.

**INSTALLATION AND USE CHECKLIST**

---

|  | <b>PAGE</b> |
|--|-------------|
| <input type="checkbox"/> SAFETY WARNINGS                               | 2 - 4       |
| <input type="checkbox"/> RESIDENTIAL WARRANTY                          | 5           |
| <input type="checkbox"/> UNPACKING COOKTOP COMPONENTS                  | 7           |
| <input type="checkbox"/> CLEARANCE TO COMBUSTIBLES DIMENSIONS          | 8           |
| <input type="checkbox"/> PREPARE COUNTERTOP FOR INSTALLATION           | 9 - 12      |
| <input type="checkbox"/> INSERT CHASSIS IN COUNTER TOP                 | 13          |
| <input type="checkbox"/> INSTALL DRIP PAN AND DRIP PAN GASKET          | 14 - 15     |
| <input type="checkbox"/> INSTALLING COOK SURFACE                       | 16          |
| <input type="checkbox"/> CONNECTING GAS & CHECKING FOR LEAKS           | 17-21       |
| <input type="checkbox"/> LOCATING THE GAS BURNER AND GAS ORIFICE JETS  | 22          |
| <input type="checkbox"/> CHECK LIST FOR INSTALLATION PROCEDURES        | 23          |
| <input type="checkbox"/> TEMPERATURE CONTROL AND LIGHTING INSTRUCTIONS | 24-25       |
| <input type="checkbox"/> RECOGNIZING ABNORMAL GAS OPERATION            | 26          |
| <input type="checkbox"/> REPLACING ELECTRONIC IGNITOR BATTERY          | 27          |
| <input type="checkbox"/> MAINTAINING SPILLOVER TRAYS                   | 28          |
| <input type="checkbox"/> AFFINITY 25G DIMENSIONS                       | 29          |
| <input type="checkbox"/> COOKING SURFACE MAINTENANCE                   | 30          |

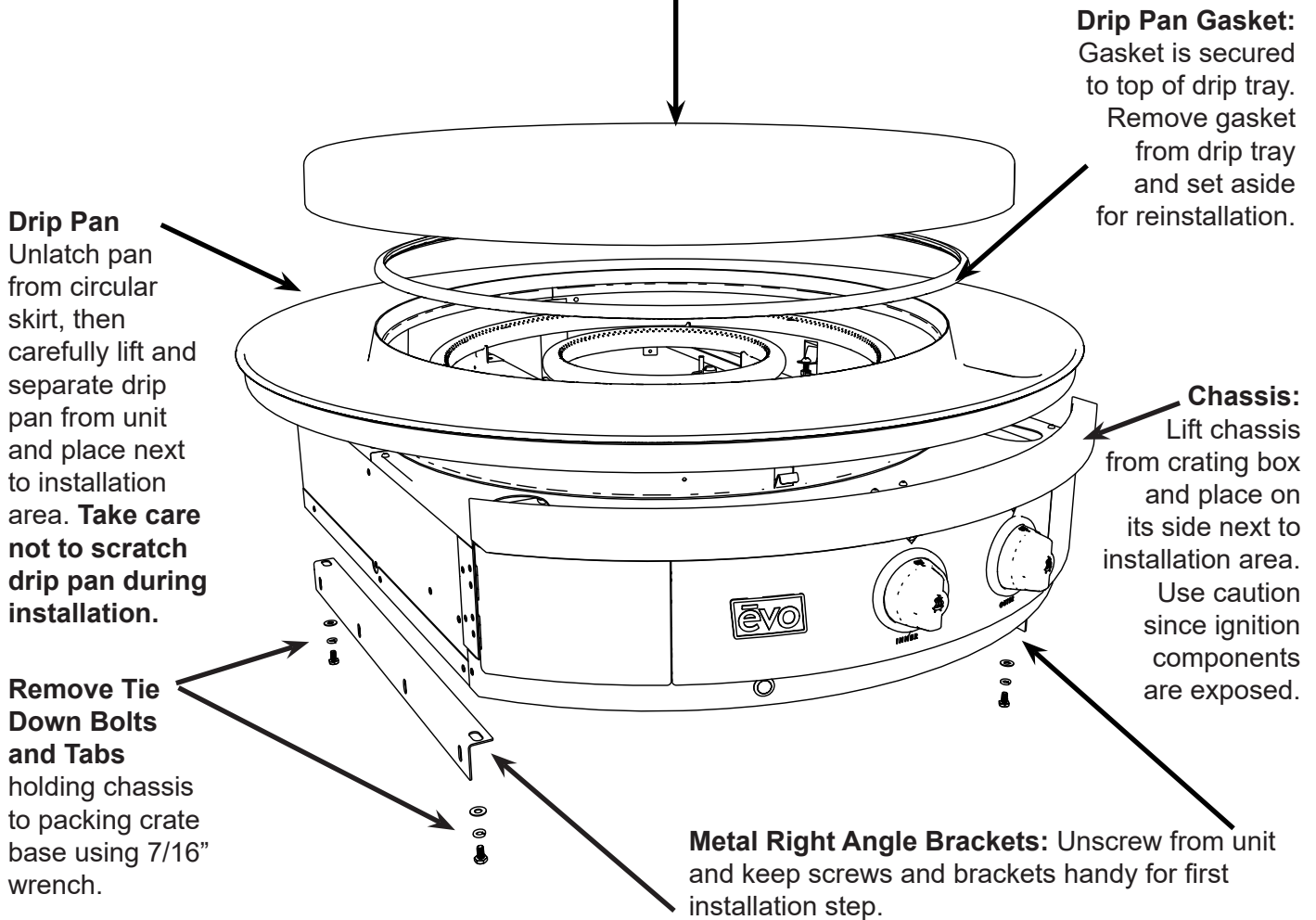
UNPACKING COOKTOP COMPONENTS

**Cooking Surface:**

Lift and separate cooking surface from unit and place next to installation area.

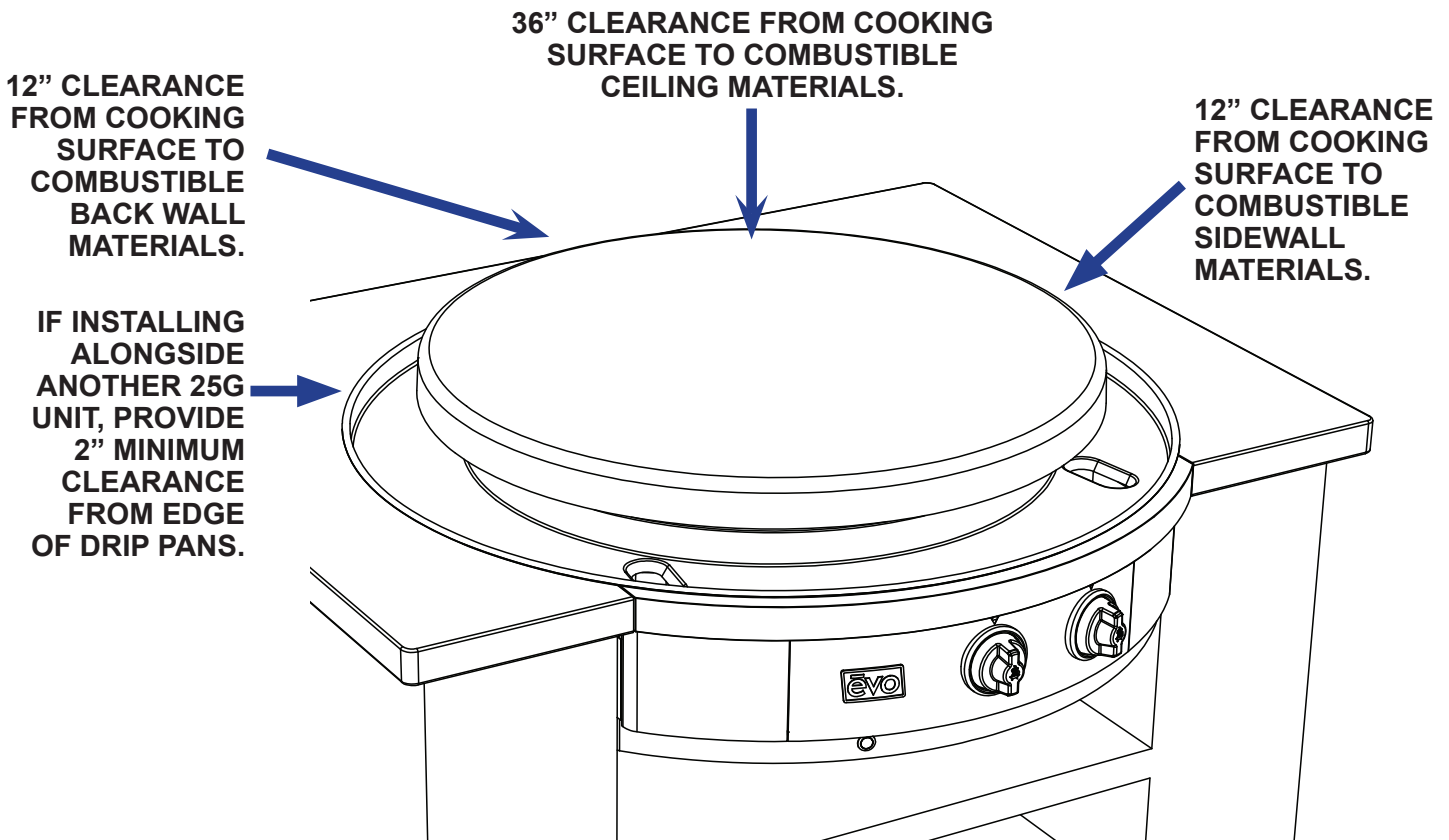


The cooking surface is heavy. Use caution when lifting.



**STEP 1:** As you are unpacking the crate, make sure you locate all components before installation.

**CLEARANCE DIMENSIONS**



Minimum 3" clearance required under unit venting to 22 sq/in of combustible air.  
The minimum environmental temperature for safe use of the Evo Affinity 25G should not be below 32°F ( 0° C).

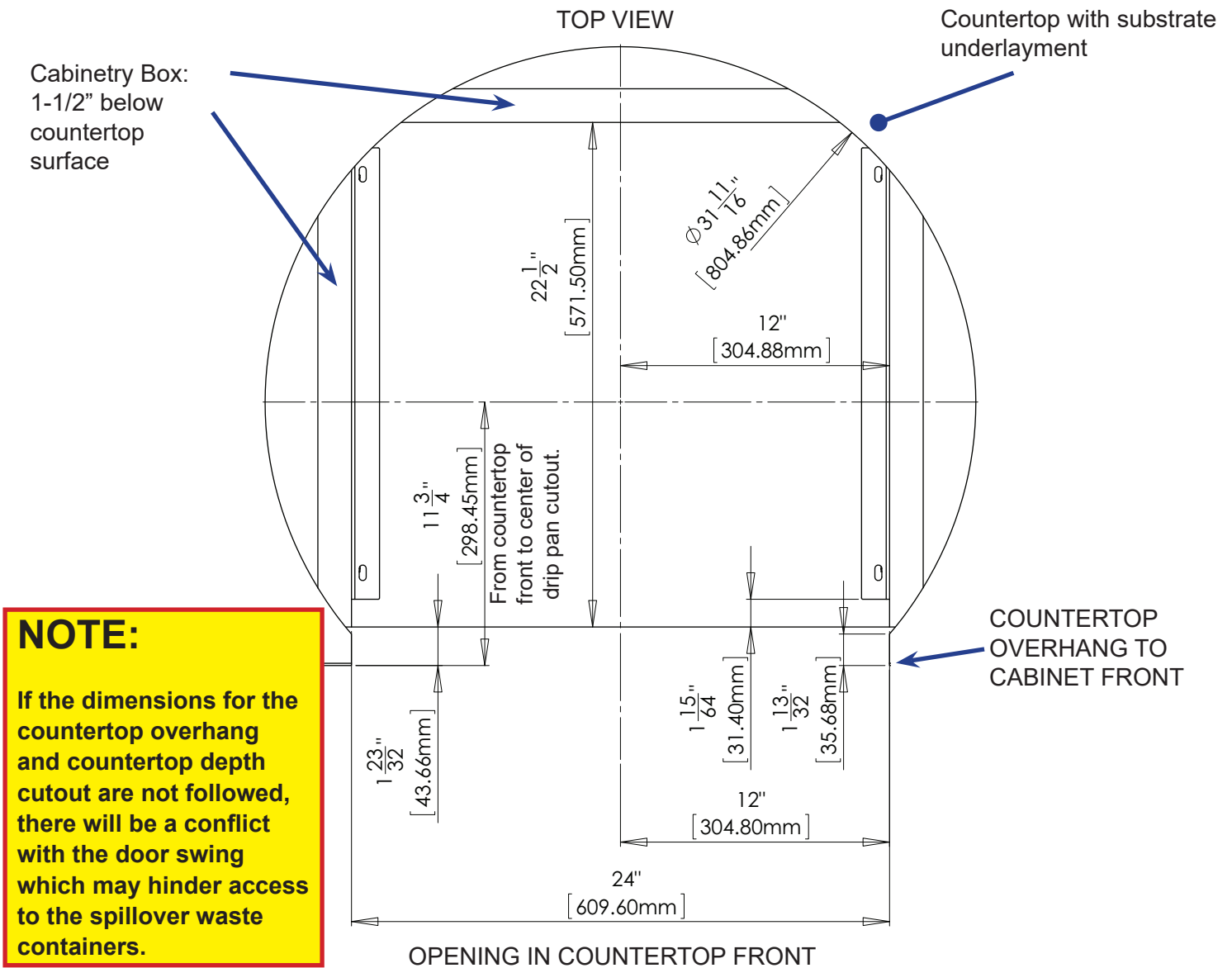
| CLEARANCE TO COMBUSTIBLE CONSTRUCTION FROM CHASSIS |              |                  |
|--|--------------|------------------|
|  | Combustibles | Non-combustibles |
| Back   | * 3/8"       | 0"               |
| Sides  | * 3/8"       | 0"               |
| Bottom   | 3"           | 3"               |

| CLEARANCE TO COMBUSTIBLE CONSTRUCTION FROM COOKING SURFACE |     |
|--|-----|
| Top  | 36" |
| Sides  | 12" |
| Back   | 12" |

\* 3/8" of cement board lined enclosure to chassis.

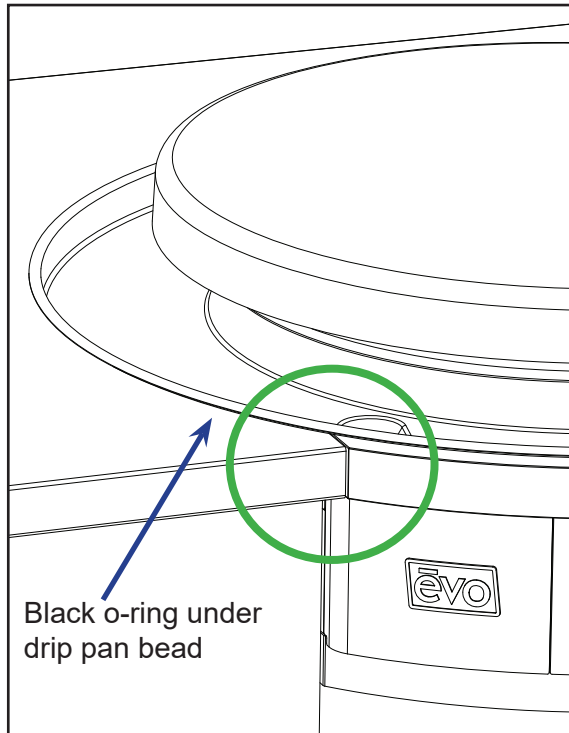
**Read the instructions carefully in this booklet to install the Evo Affinity 25G Cooktop to a metal, stone or wood countertop surface. Cabinet layout and construction may vary.**

COUNTERTOP INSTALLATION (1 of 4)

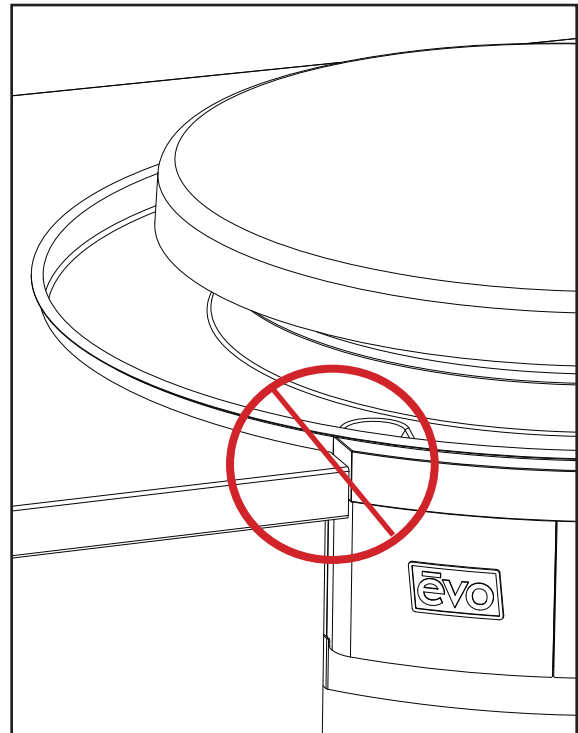


**STEP 2:** Mark the finished position of the Evo Affinity 25G drip pan on the countertop using the dimensions shown. The circular dimension of 31" 11/16" is the diameter of the drip pan to the outside flange material thickness (located to the inside of the half-rolled bead edge). The drip pan cutout must be made precisely to these dimensions (or at a maximum +1/16") so that the half-rolled top bead on the drip pan edge overhangs the cutout dimension by .25". (See following page for more details).

COUNTERTOP INSTALLATION (2 of 4)



CORRECT ALIGNMENT OF DRIP PAN  
AND CHASSIS TO COUNTERTOP



INCORRECT ALIGNMENT OF DRIP PAN  
AND CHASSIS TO COUNTERTOP

Possible reasons for incorrect alignment:

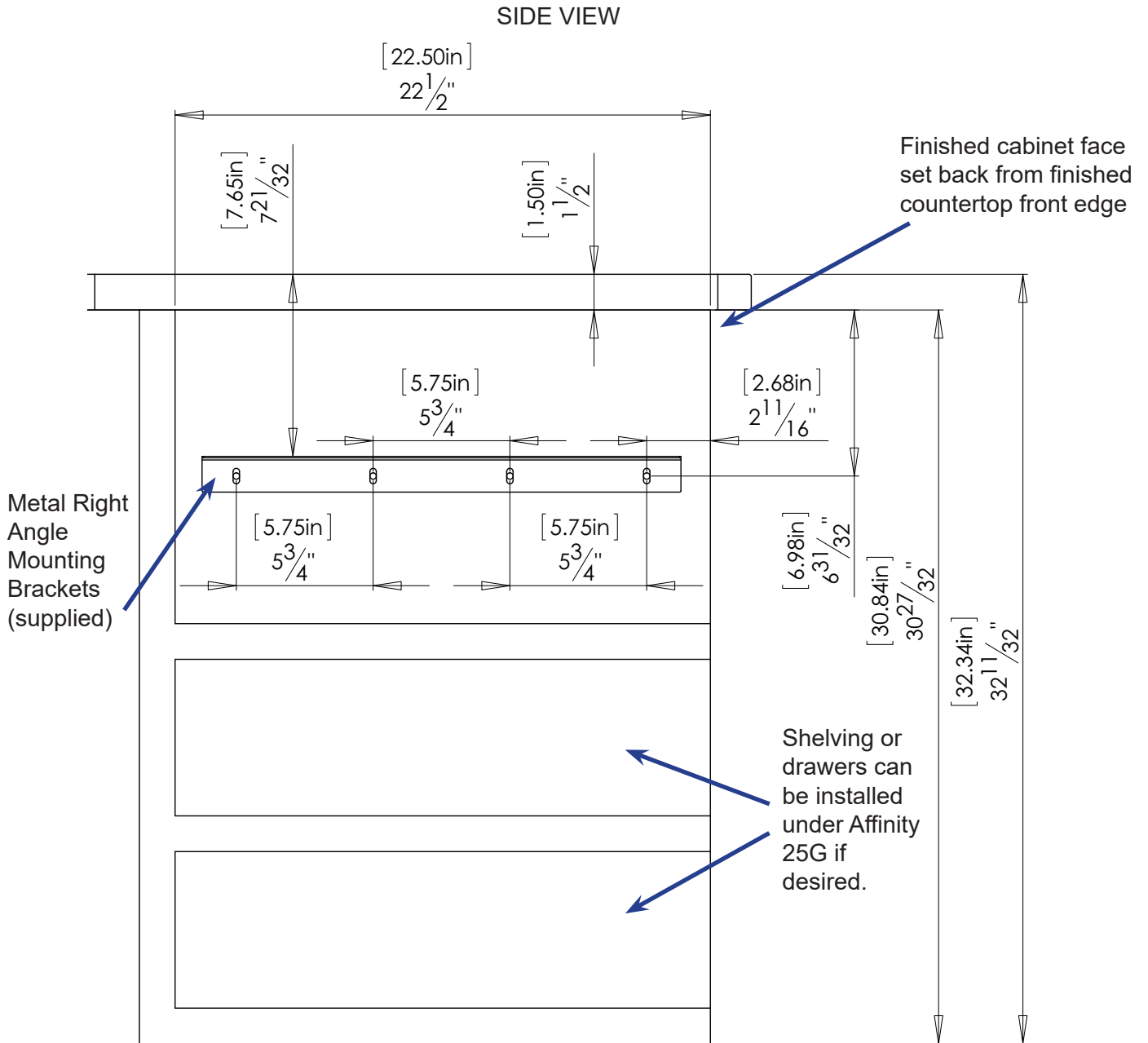
1. Top of cabinetry box is less than 3 cm from countertop
2. Chassis mounting brackets are too high.

**STEP 2 continued:** Make sure cabinetry box is 1-1/2" below countertop surface and mounting brackets are positioned correctly so drip pan and chassis are aligned to countertop. (see diagrams above). A black o-ring is recessed in the top bead and designed to create a seal against the countertop.

Also ensure allowance for the countertop overhang as shown on the SIDE VIEW (**see next page**).

When you have confirmed the position is correct, cut the countertop and substrate.

COUNTERTOP INSTALLATION (3 of 4)

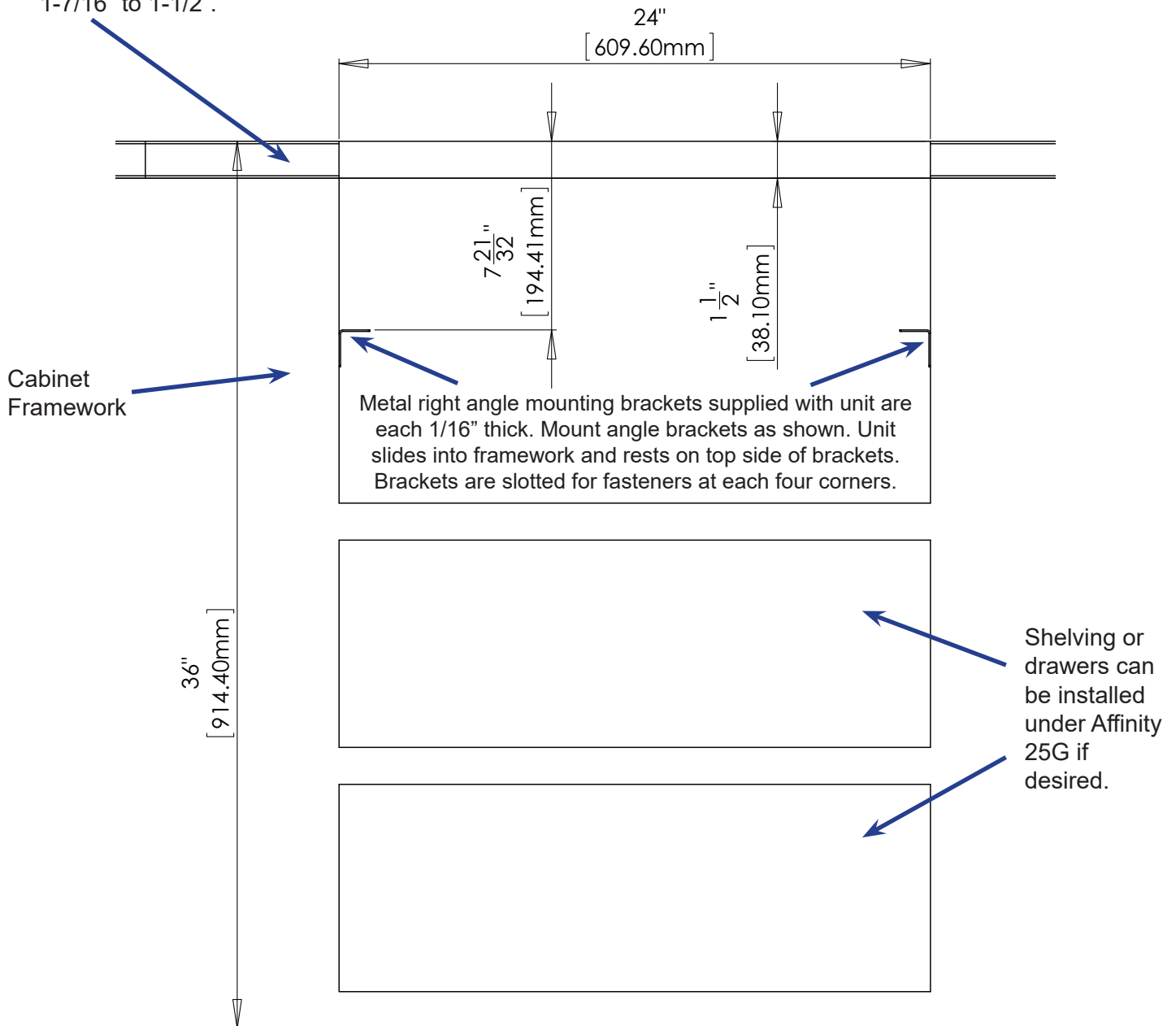


Example of 3/8" tile with substrate for a total of 1-1/2" overall. Make sure you allow for the countertop overhang as shown.

COUNTERTOP INSTALLATION (4 of 4)

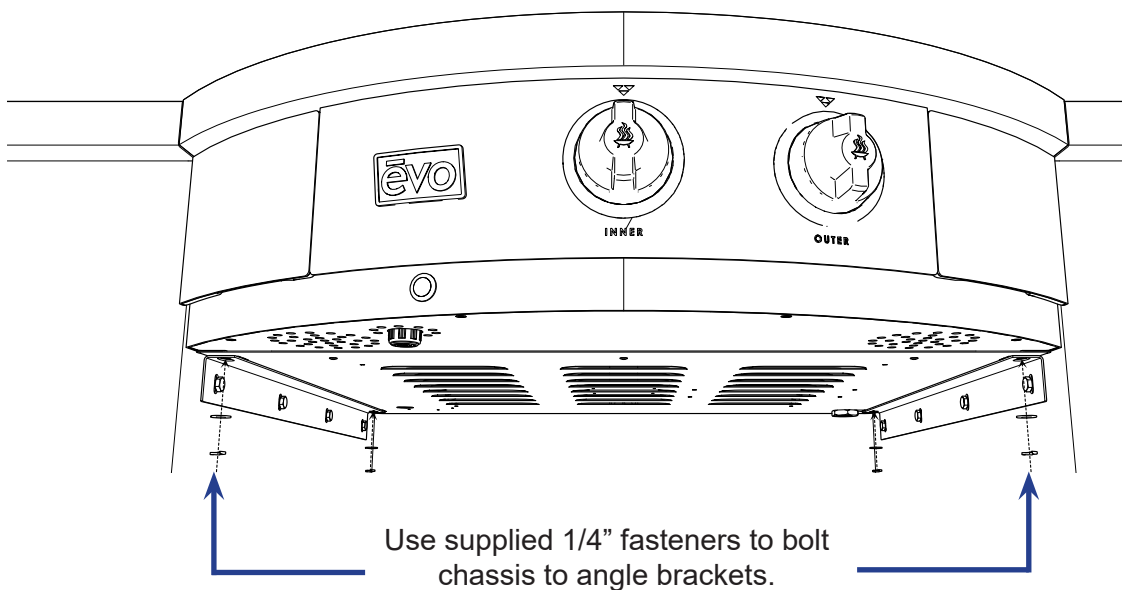
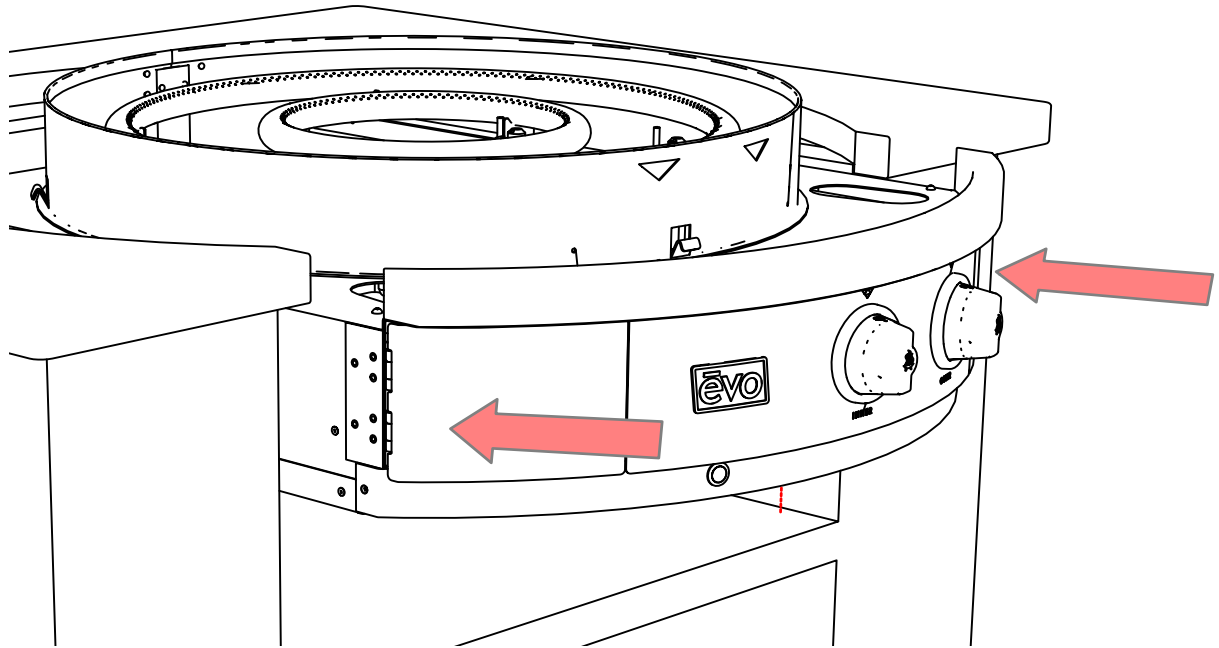
Example: Tiled countertop with substrate.  
Finished countertop thickness should be 1-7/16" to 1-1/2".

FRONT VIEW



**STEP 3:** Construct a bay for the Evo unit with your chosen cabinet system. Position and fasten the supplied mounting brackets 7-21/32" below the finished countertop surface.

INSERT CHASSIS IN COUNTER TOP

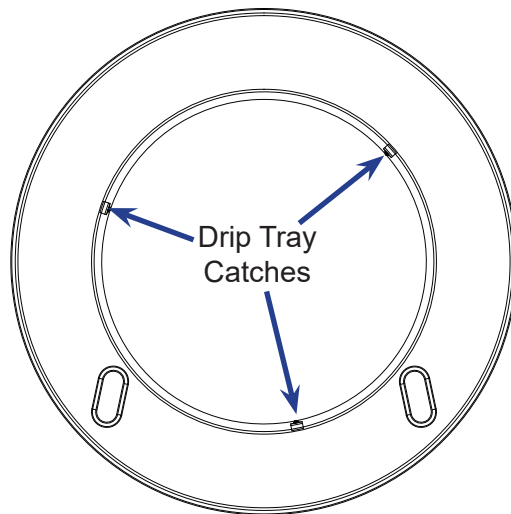
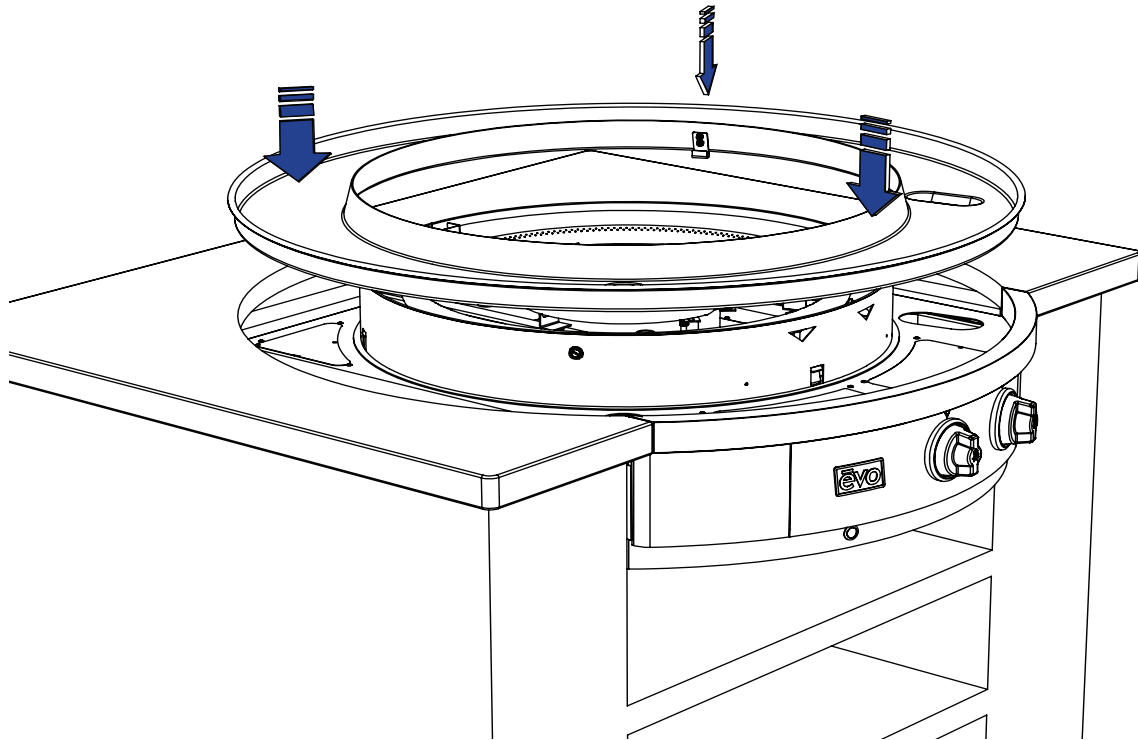


**STEP 4:** Slide the Affinity 25G chassis into the counter top so it rests on top of the installed brackets. Bolt unit to angle brackets using supplied 1/4" x 20 fasteners from underside.



**Gas Installation must be done by a licensed professional in accordance with local guidelines once unit has been completely installed. Refer to pages 18 - 21 for further instructions.**

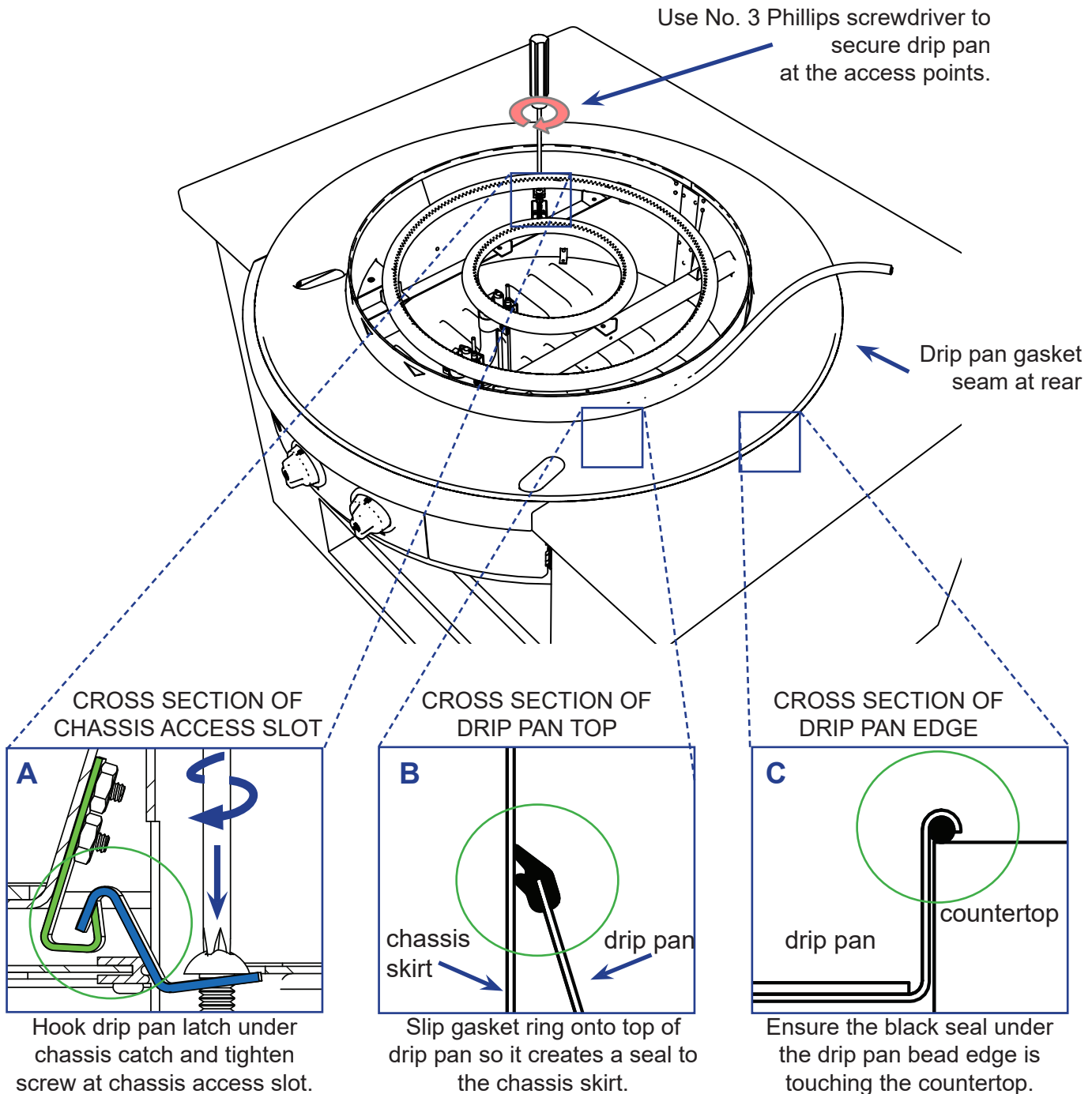
## DRIP PAN INSTALLATION



GRILL FRONT

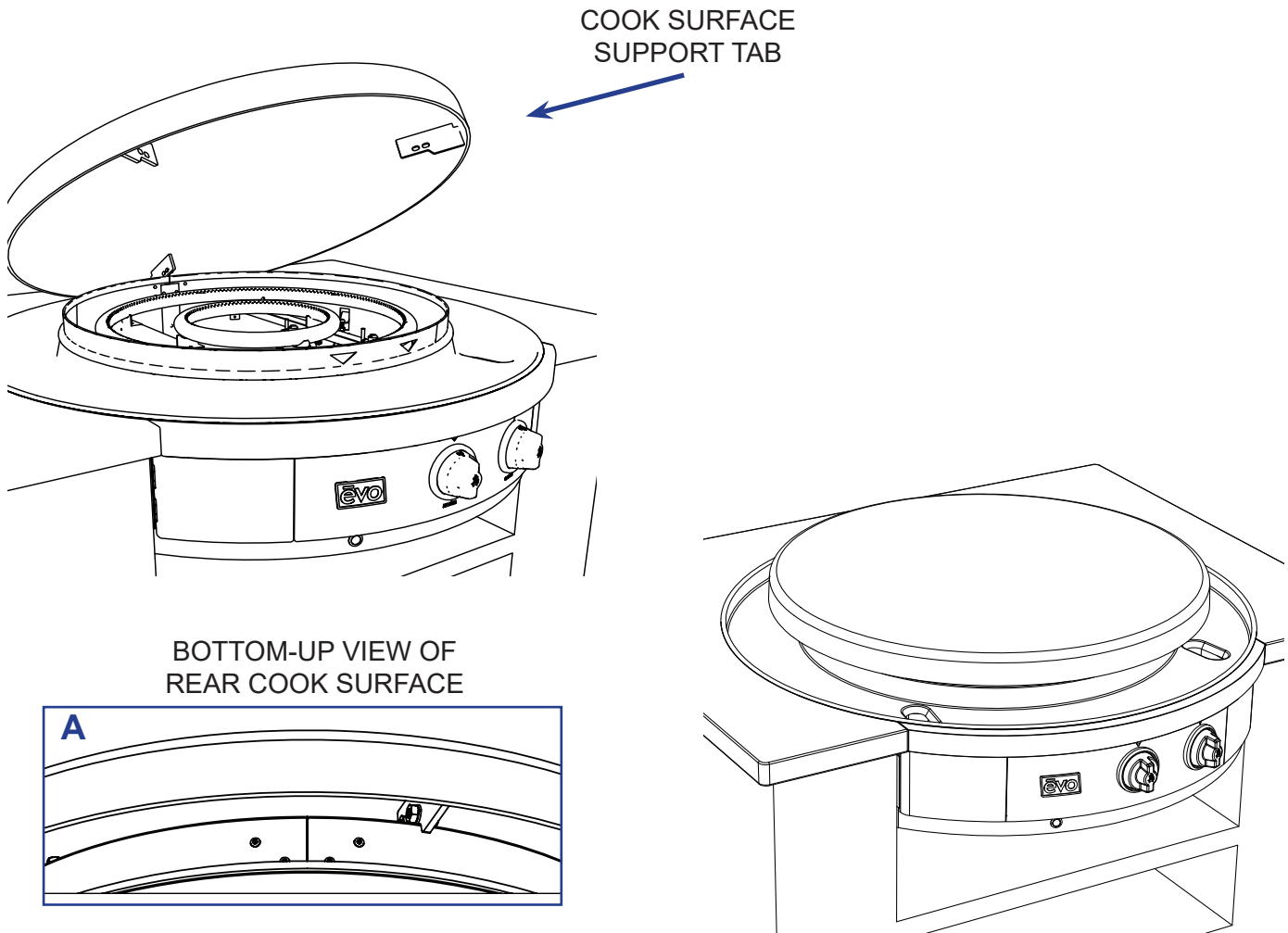
**STEP 5:** Slide drip tray over chassis circular skirt positioning spillover slots to the corresponding slots of the top chassis deck. Notice the drip pan catches showing through the inside cutout locations of the circular chassis skirt. From the inside of the skirt, use each of the three latches to pull the drip pan down into the counter.

DRIP PAN AND GASKET INSTALLATION



**STEP 6:** Secure drip pan to chassis using access slot (A). Rewrap drip pan gasket around top of drip tray and secure (B). Ensure seal under drip pan edge is touching countertop (C).

INSTALLING COOK SURFACE

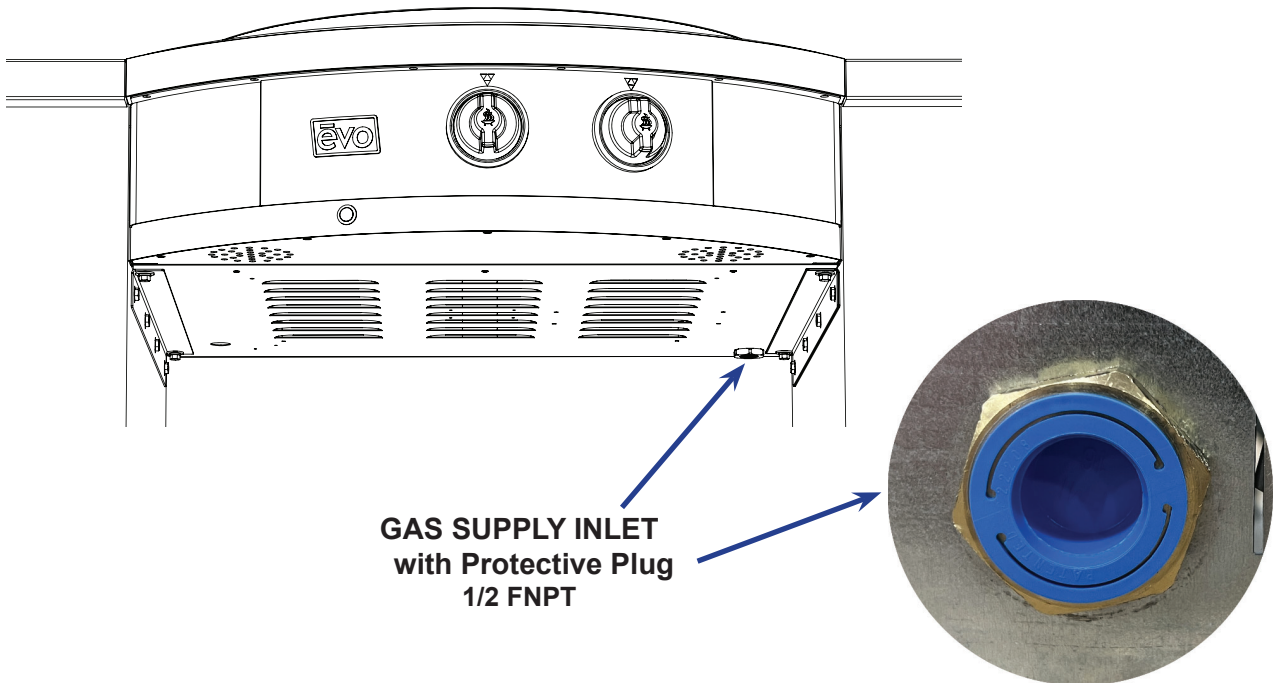


**STEP 7:** Place cook surface over circular skirt with the three support tabs (located under cook surface) resting on the chassis skirt top. Position one of the tabs of the cook surface to the right of the rear seam (rear view) of the chassis skirt (**A**). Tabs must be positioned to outside of burner skirt to allow cooking surface to be centered.

## CONNECTING GAS



FOR YOUR PROTECTION, WE RECOMMEND A QUALIFIED GAS TECHNICIAN INSTALL THIS COOKTOP. THIS PERSON SHOULD BE FAMILIAR WITH GAS SERVICE INSTALLATIONS AND ALL LOCAL CODES. PROPER CONNECTIONS ARE ESSENTIAL FOR EFFICIENT OPERATION AND SAFETY.



Gas connections for built-in cooking appliances must be a permanent fixed fuel piping system of rigid pipe, semi-rigid pipe, semi-rigid tubing, and/or a connector that complies with the Standard for Connectors for Outdoor Gas Appliances and Manufactured Homes, ANSI Z21.58-2018/CSA 1.6-2018. The maximum length for such gas connections shall be 6 ft (1.82m).

**WARNING:** Remove Blue Protective Plug from GAS SUPPLY INLET before attaching gas fitting and/or flexible hose.

**Step 11:** Connect gas using a piping system as described above that complies with local codes or in the absence of local code, complies with ANSI Z21.58-2018/CSA 1.6-2018, and that is protected against abrasion as it passes through any cabinet structure, and all Affinity gas grills ship pre-configured for Natural Gas (NG) service unless otherwise indicated on the Safety Label mounted to the right inside spillover drawer. If configured for Natural Gas, the inlet pressure is at 7" W.C. (Fixed). If configured for LP Propane, the inlet pressure is at 11" W.C. (Fixed).

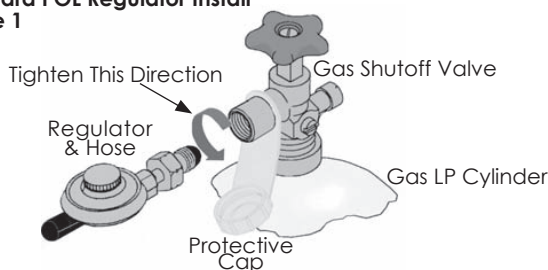
Refer to pages 18-21 for specific instructions regarding LP and NG connections, checking for gas leaks and recognizing abnormal gas operation (page 26).

### CONNECTING GAS - LP CYLINDER CONNECTION



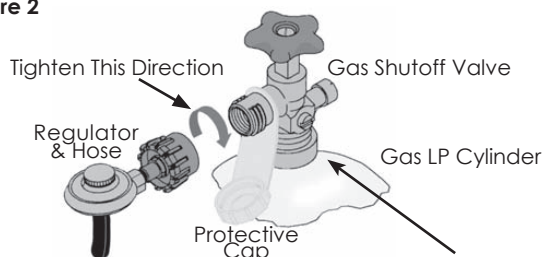
Use the pressure regulator and hose assembly supplied with your Evo cooktop. Recommended LP propane cylinder is a standard No. 600, 20 Lb. tank, with a shutoff valve terminating in a cylinder valve outlet specified and an (OPD) overflow prevention device valve, compliant to current DOT specifications. If the cylinder is fitted with a Type I Cylinder Connection Device, a protective dust cap must be installed on the valve outlet.

Standard POL Regulator Install  
Figure 1



Note: The Tank Collar has been removed from these illustrations for clarity. A Tank Collar must be used to protect the tank valve.

Quick Disconnect Hand-Wheel Regulator Install  
Figure 2



The tank valve must be positioned upward for proper gas flow.

1. Be sure both cooktop burner valves are in the Off position.
2. Make sure the gas tank valve is off and in the closed position by turning clockwise (left to right) to a full stop.
3. Remove the protective cap from the gas cylinder valve.
4. Hold the supplied regulator in one hand and position the plastic coupling nut on the cylinder valve outlet threads using care to engage the center of the coupling nut to the center of the cylinder valve outlet. When completing this procedure, take care to not cross-thread the connection.
5. Observe the direction in Figure 1 and Figure 2 for installing the regulator threads to the cylinder valve. For a Standard POL Regulator turn the coupling nut counterclockwise (right to left) and tighten to a full stop. For the Quick Disconnect Regulator turn the coupling nut clockwise (left to right) and tighten to a full stop.

In the connection process, the regulator will seal on the back-check feature in the cylinder valve resulting in a slight resistance. The connection requires about a 1/2 to 3/4 additional turn to complete the connection. Tighten by hand only - do not use tools. If you cannot make the connection, disconnect the regulator and repeat steps 4 and 5.

**If the information on this page is not followed exactly,  
a fire causing death or serious injury may occur.**

If the unit is not in use, gas must be turned off at the supply cylinder. Inspect hoses before each use of the unit. If it is evident there is excessive abrasion or wear, or the hose is cut, it must be replaced prior to the unit being put into operation. Regulator and hose assembly can be purchased from Evo by calling 866-626-1802 or from a local gas supply company. Specifications for these parts are:

- LP Regulator: 90 degree w/ 3/8" Female SAE Inlet
- LP Hose: 60" Type #1 Low Pressure

**STORAGE, REMOVAL and TRANSPORTATION OF LP CYLINDER****STORAGE & REMOVAL OF LP GAS CYLINDER:**

Never store LP gas cylinder indoors. When cooktop is stored indoors, shut cylinder valve off and disconnect cylinder from grill and remove to an outdoor location. Cylinder must be stored outdoors in well-ventilated area, away from and out of the reach of children. Cylinder should not be allowed to remain in a high heat area such as a closed car, trunk, or in direct sunlight.

Loosen coupling nut located on regulator and cylinder valve by turning counterclockwise using hands only - do not use tools. Next loosen thumb screws securing cylinder to lower rack and remove tank. Install safety cap over cylinder valve coupling.

**TRANSPORTATION OF LP CYLINDER:**

Never remove or alter cylinder labeling. Labels contain critical information on the safe handling of gas products. The DOT requires that proper labeling must be in place before the products can be offered for transportation.

Transporting cylinders in cars, vans, or in any enclosed vehicle is extremely dangerous, and should be avoided. Never transport flammable gases in the trunk or passenger compartment of a vehicle.

Always install the protective cap on the cylinders when they are being transported, or any time they are not in use. If the cylinders were not designed to accept a protective cap over the valve, special care must be taken to prevent the valve from damage or opening during transportation.

Secure your cylinders. The Department of Transportation (DOT) regulations require that all compressed gas cylinders be secured from movement during transportation. Cylinders that can move can open accidentally, or roll off the vehicle into the path of oncoming traffic.

Handling, storage and transportation of all gas cylinders must be in accordance with *ANSI/NFPA 58, Storage and Handling of Liquid Petroleum Gases*, or *CSA B149.1, Natural Gas and Propane Installation Code*.

 **WARNING**

**Do not store spare LP gas cylinder under or near this appliance. Never fill cylinder beyond 80% full. Cylinder must be constructed and marked in accordance with the specifications for propane cylinders of the U.S. Department of Transportation (DOT), or CAN/CSA B339. If the above information is not followed exactly, a fire causing death or serious injury may occur.**

**PLEASE POST THESE INSTRUCTIONS IN A PROMINENT LOCATION**  
**CHECKING GAS LEAKS (NATURAL GAS)**

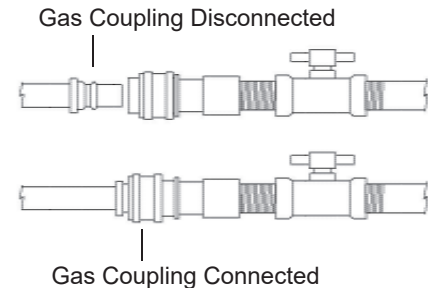
### **DANGER**

Do not ignite burners or use an open flame to check for gas leaks. Be sure there are no sparks or open flames in the area while you check for gas leaks. Flames and sparks will result in a fire or explosion which can cause serious bodily injury or death and damage to property.

**Note: All factory-made connections have been thoroughly checked for gas leaks. The burners and ignition system has been flame tested. As a safety precaution, we recommend you recheck all fittings for leaks before using your Evo cooktop. Shipping and handling may loosen or damage a gas fitting.**

**To perform a leak check you will need a solution of soap and water and a brush or rag to wet all gas connections.**

1. Turn all control knobs to the OFF position.
2. Slide back the collar of the quick disconnect. Push the male fitting of the hose into the quick disconnect and maintain pressure while releasing the collar.
3. If fitting does not engage and lock, repeat procedure. Gas will not flow unless the quick disconnect is properly engaged.
4. Turn on gas supply and check for leaks by wetting the connections with the soap and water solution and watching for bubbles. If bubbles appear, or if a bubble grows, there is a leak.



**Note: Since some leak test solutions, including soap and water, may be slightly corrosive, all connections should be rinsed with water after checking for leaks.**

#### **CHECK ALL GAS CONNECTIONS:**

##### **1. Hose to Manifold Connection.**

**Warning:** If there is a leak where the hose connects to the manifold then retighten the fitting with a wrench and recheck for leaks with soap and water. If leak continues after retightening the fitting, turn off gas. **DO NOT OPERATE COOKTOP.** Contact your local dealer or Evo Customer Service using the contact information provided with your manual.

##### **2. Valves to Manifold Connections.**

##### **3. Hose to Quick Disconnect Connection.**

### **WARNING**

You should check for gas leaks every time you disconnect and reconnect a gas fitting.

### **WARNING**

Perform leak checks even if your cooktop was dealer or store assembled.

**PLEASE POST THESE INSTRUCTIONS IN A PROMINENT LOCATION**  
**CHECKING GAS LEAKS (LP)**

 **DANGER**

Do not ignite burners or use an open flame to check for gas leaks. Be sure there are no sparks or open flames in the area while you check for gas leaks. Flames and sparks will result in a fire or explosion which can cause serious bodily injury or death and damage to property.

**Note: All factory-made connections have been thoroughly checked for gas leaks. The burners and ignition system has been flame tested. As a safety precaution, we recommend you recheck all fittings for leaks before using your Evo grill. Shipping and handling may loosen or damage a gas fitting.**

**To perform a leak check you will need a solution of soap and water and a brush or rag to wet all gas connections.**

1. Turn all control knobs to the OFF position
2. Turn on gas supply and check for leaks by wetting the connections with the soap and water solution and watching for bubbles. If bubbles appear, or if a bubble grows, there is a leak.

**Note: Since some leak test solutions, including soap and water, may be slightly corrosive, all connections should be rinsed with water after checking for leaks.**

**CHECK ALL GAS CONNECTIONS:**

1. Hose to Regulator.
2. Regulator to Gas Supply connection.

 **WARNING**

You should check for gas leaks every time you disconnect and reconnect a gas fitting.

 **WARNING**

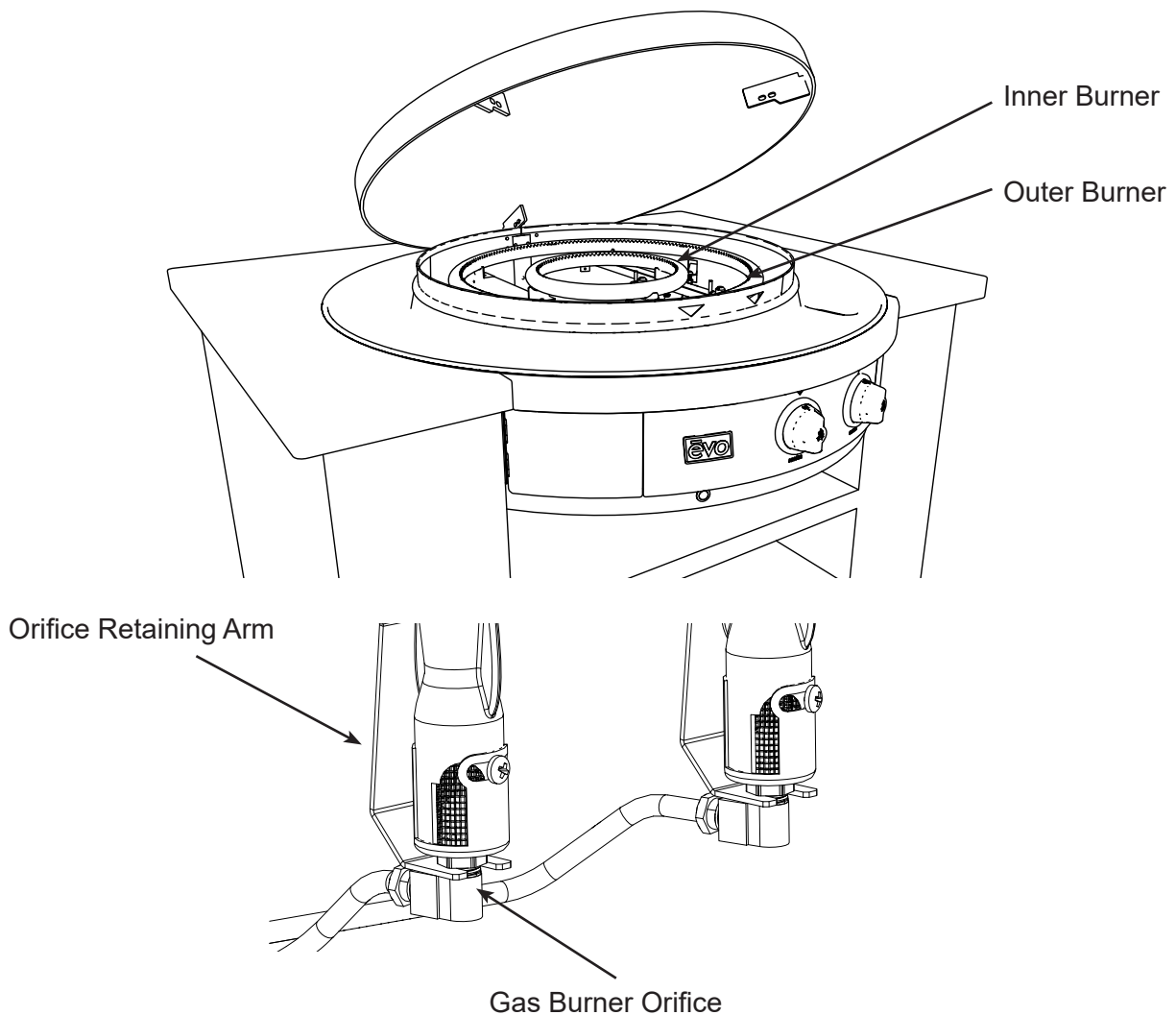
Perform leak checks even if your grill was dealer or store assembled.

### PLEASE POST THESE INSTRUCTIONS IN A PROMINENT LOCATION

### LOCATING THE GAS BURNERS AND ORIFICE JETS

---

1. The Affinity 25G Gas Tube Burners are located under the cooking surface and inside the stainless steel Burner Skirt. They are arranged with the smaller inner burner located in the center of the burner skirt and the larger outer burner located outside the inner burner.
2. The Gas Burner Orifice Jets for the inner and outer burners are located directly below the circular tube burners and are positioned just inside the Burner Venturi as illustrated below. To remove an orifice, pull the Orifice Retaining Arm away from the orifice and then move the orifice from the venturi.

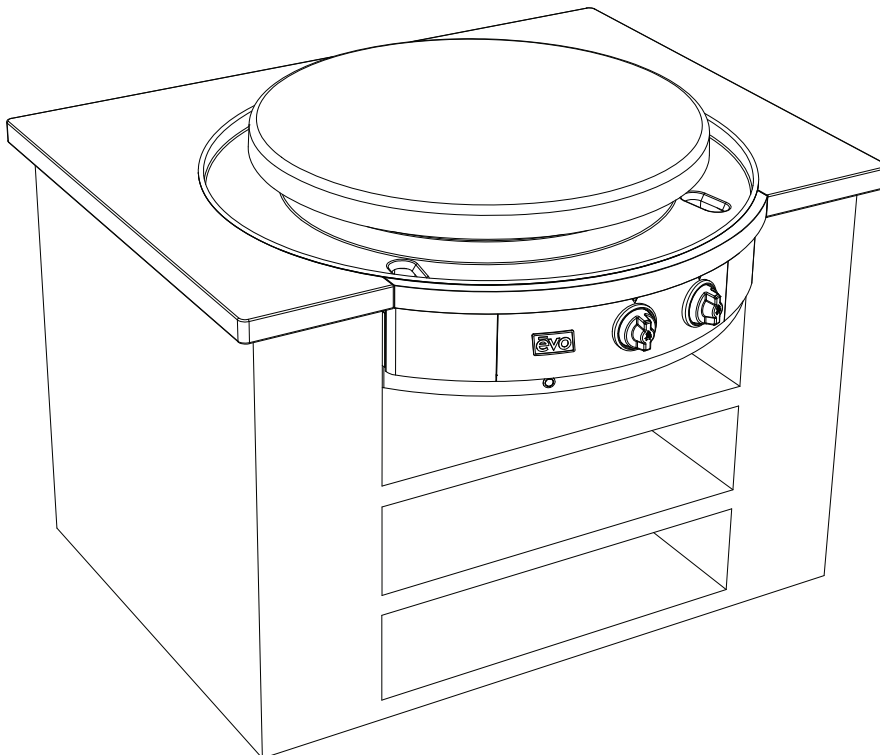


## CHECK INSTALLATION

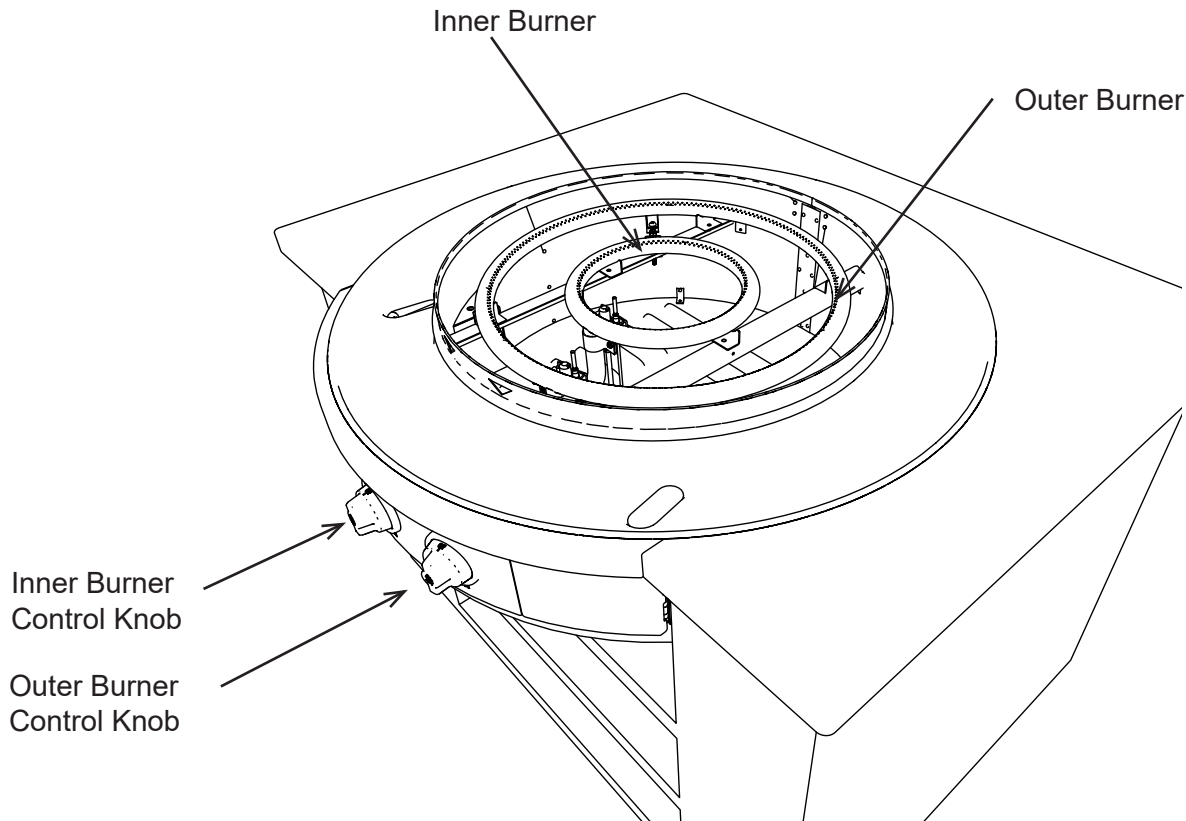
---

Check to ensure the following items are complete:

- DRIP PAN PROPERLY INSTALLED 14  
Ensure that the drip pan half-rolled top bead overhangs the cutout dimension by .25" and the black o-ring is creating a seal against the counter top.
- DRIP PAN GASKET SECURED 15  
Black drip pan gasket should fit properly and create a seal where the drip pan meets the chassis skirt.
- COOK SURFACE PLACED ON SKIRT PROPERLY 16  
Cook surface should be centered and sitting on skirt with one of the tabs lined up with the rear skirt seam.
- GAS CONNECTION HOOKED UP PROPERLY 17-18  
Check for gas leaks.  
Check for proper operation.



## EVO AFFINITY 25G TEMPERATURE CONTROL



**Inner Burner and Inner Control Knob** - The Inner Gas Burner is a 7.5" (190mm) diameter and is controlled by the Inner or center control knob. Temperatures are adjustable from Low to High. Starting at the Off position, the Inner Control Knob rotates 180-degrees counterclockwise through three positions.

**Outer Burner and Outer Control Knob** - The Outer Gas Burner is a 17" (432mm) and is controlled by the Outer or righthand control knob. Temperatures are adjustable from Low to High. Starting at the Off position, the Outer Control Knob rotates 180-degrees counterclockwise through three positions.

When the Affinity 25G is operating on Propane LP gas, the inner and outer burners produce a total of 31,600 BTU's. When the Affinity 25G is operating on Natural Gas, the inner and outer burners produce a total of 27,600 BTU's.

Either the Inner or the Outer burners may be used independently to support a wide range of cooking techniques. Operating only the Inner burner provides direct temperature under the center of the cook surface, with indirect heat at the outside edge that is useful for holding temperature and simmering items in a pot or pan.

Conversely, operating only the Outer burner can be used for cooking foods that may be displayed around the outside radius of the grill like skewered vegetables and meats. Finally, with both burners operational, you will have maximum surface temperature and cooking versatility.

Because the burners are enclosed within a circular chassis and all heat is directed upward at the cooking surface, cook surface temperature recovery is very fast, providing a wide range of surface temperature adjustment and control.

## LIGHTING INSTRUCTIONS



**BEFORE EACH USE:** Inspect gas hose under unit. If it is evident there is excessive abrasion or wear, or the hose is cut, please contact Evo for a replacement hose.

### Electronic Ignitor Lighting Procedure:

1. Read instructions carefully before lighting.
2. Cooking surface must be in place and secure before lighting.
3. Hold down the igniter button, then turn the Control Knob to 'Lite'. View the flame through the viewing holes in the Grill body to confirm it is lit. If the burner is lit, turn the knob to 'the desired setting to commence cooking.
4. If ignition does not occur in 5 seconds release igniter, turn the burner Control Knob off, wait 2 minutes, and repeat lighting instructions.

If after repeated attempts and the burner does not ignite, follow the manual lighting procedure below.



Control Knob



Igniter Button

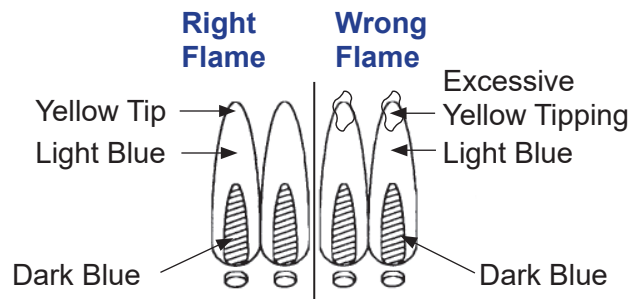
### Manual Match Lighting Procedure:

1. To light the burner manually, feed a lit match through one of the flame viewing holes in the burner skirt above the control panel until it is close to the burner.
2. Turn the Control Knob to the 'Lite' position. View the flame through the opposite viewing hole in the grill body to confirm it is lit. If the burner is lit, turn the knob to the desired setting to commence cooking.
3. Once the burner has been lit, remove the match and extinguish the match flame.



To Match Light

## RECOGNIZING ABNORMAL GAS OPERATION



Any of the following are considered to be abnormal operation and may require servicing:

- Excessive yellow tipping of the burner flame (See diagram above).
- Sooting up of cooking utensils.
- Burners not igniting properly.
- Burners failing to remain alight.
- Gas valves, which are difficult to turn.

In case the appliance fails to operate correctly, contact the authorized service provider in your area.

### Checking Venturi Tubes:

A clogged venturi tube due to insects and insect nests may cause improper burner performance and difficulty lighting your grill.

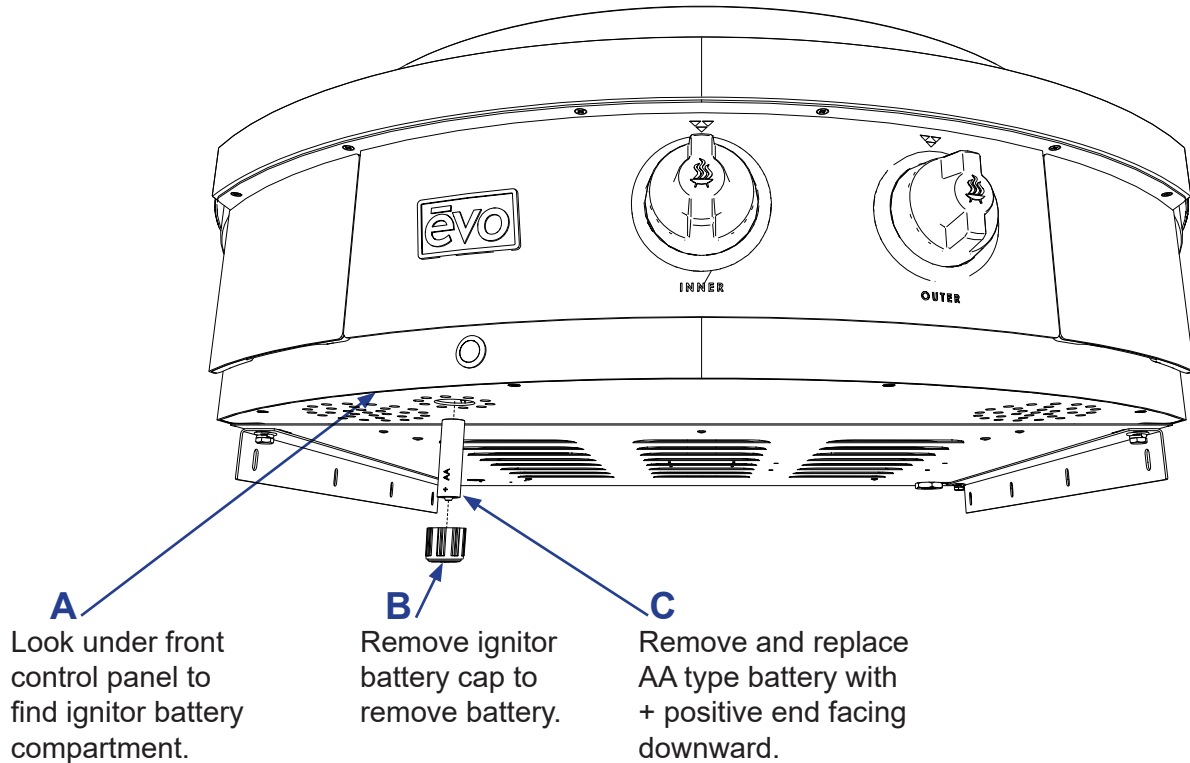
To check your venturi tubes for insect nests:

- Remove the cooking surface to access the burners.
- Pull the orifice retaining clip away from each Inner and Outer burner venturi tubes to remove the gas tube system from the venturis.
- Next, remove the three phillips-head screws that retain the burner assembly and remove the burners and visually inspect inside the venturi ports.
- If insect nests are found, the best method is to use a thin piece of wire or bamboo skewer to remove the obstruction.



Remove cooking surface and drip pan to access valve cover located just above center control knob and under the drip pan.

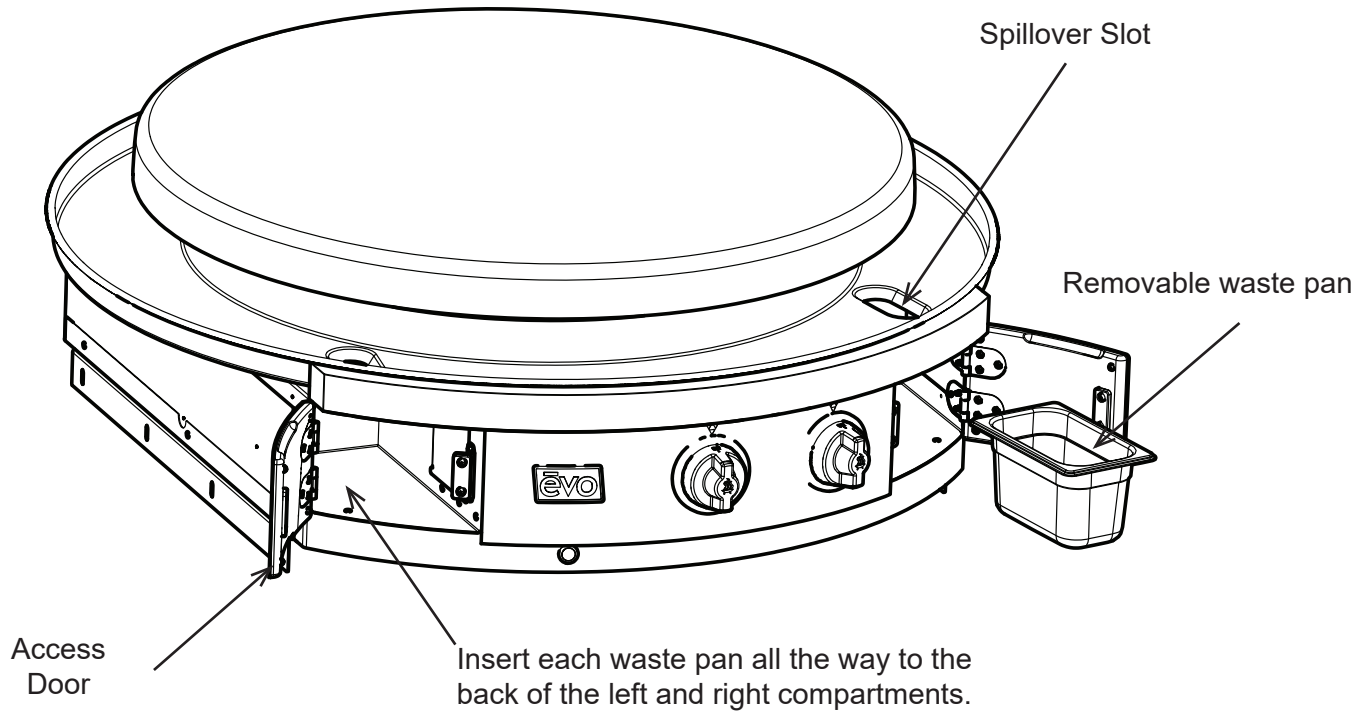
### REPLACING ELECTRONIC IGNITOR BATTERY



If the ignitor does not work, you may need to replace the battery.

1. Look under the front control panel just below the ignitor button **(A)**.
2. Remove the ignitor cap, rotating it counterclockwise **(B)**.
3. Install a AA type battery into the ignitor housing with the positive “+” end facing downward **(C)**.
4. If the ignitor is still not working, contact Evo Customer Support for an ignitor replacement.

## REMOVABLE SPILLOVER TRAYS



**Do not operate cook top or clean drip pan into spillover slots without waste pans installed in spillover doors. Failure to install waste pan will result in cooking grease contamination to the underside of door. This requires immediate cleaning.**

The Affinity grill has removable waste pans concealed in doors on both the right and left side of the front control panel. It is very important to monitor the level of spillover in the trays, and immediately empty when they are near full or after each use.

**Opening Spillover Tray Doors** - To open a door, grasp the door at its bottom and pull forward.

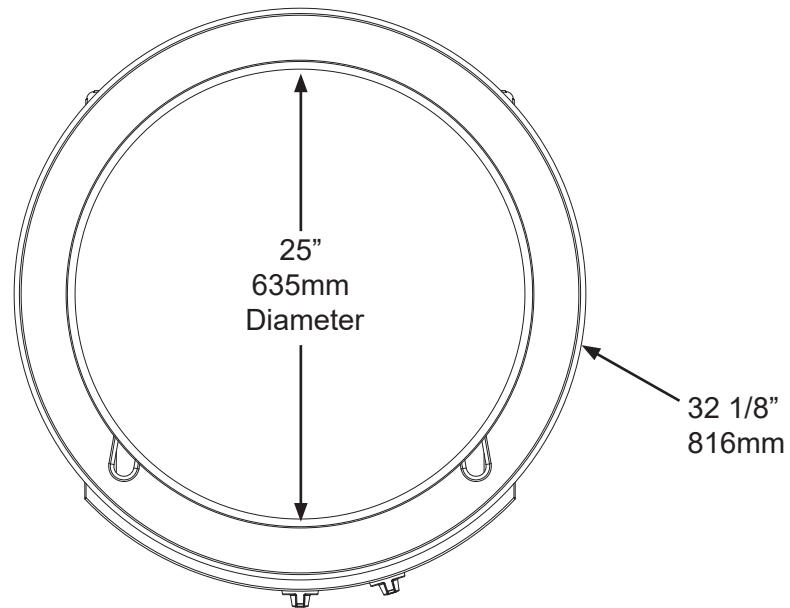


**Do not allow spillover liquids or debris down spillover slots when doors are open. Any liquids or debris that may fall into this area when doors are open should be immediately wiped with a dry cloth, and keep this area clean at all times.**



**Do not allow the spillover trays to overflow, and do not allow full trays to splash over edge when cleaning. Spillover debris and liquids can be hot and cause burns, and/or damage to the internal operation of the grill.**

AFFINITY 25G DIMENSIONS



---

---

## **COOKING SURFACE MAINTENANCE**

---

---

Regular cleaning and care for your Evo Affinity 25G cooking surface will keep it looking and functioning its best.

The cooking surface is designed to hold a fine layer of cooking oil which will create a 'seasoning' on its surface. This seasoning promotes a non-stick surface and is easily maintained.

Caring for Evo's cooking surface is much like maintaining cast iron cookware. When the surface requires cleaning, there are a few basic cleaning techniques to use. For quick and routine cleaning between preparations, a metal spatula or scraper works for removing the majority of surface debris. For tougher areas or where sugars glaze the cook surface, pour a small amount of warm water on the soiled surface while the grill is warm and scrape the debris away with a spatula. Heat the cook surface to a high temperature and allow the sticky debris to become brittle. Once the debris is brittle, use the spatula or scraper to remove it. Afterwards wipe the cook surface with vegetable oil again before cooking.

To condition the Evo cook surface you should use the grill cleaning kit supplied with your grill. The grill cleaning kit contains a blue grill pad handle, grill cleaning screens, and grill grey polishing pads. Use the polishing pad after the grill cleaning pads to achieve a smooth cooking surface for the most delicate foods and applications.

To use a grill cleaning screen: With a warm cook surface, place one gray polishing pad between the grill handle base and the grill screen, so the grill screen makes direct contact with the cooking surface. Pour a small amount of vegetable oil on the cook surface and scrub the surface in a circular motion. The gray polishing pad allows excess oil to be absorbed and scours the cooking surface of carbonized debris. When finished scrubbing, wipe the surface down with a paper towel or cotton terry cloth.

The drip pan located just below the cook surface is designed to catch food debris and drippings from the cook surface. We recommend cleaning the drip pan after your grill has cooled to prevent the possibility of touching hot adjoining surfaces. The drip pan is easy to wipe out with soap and water using a kitchen sponge. For added convenience, two removable stainless ninth-pans are mounted inside retractable drawers at right and left side of the front control panel for collecting drip pan debris and spill overs. These spillover trays can be easily washed by hand or in a dishwasher. Be sure to empty the spillover trays after every use, and at a minimum, whenever they appear half full.

All the stainless steel components on your grill can be easily polished using a stainless steel cleaner and polish. Stainless steel cleaner along with replacement grill cleaning and polishing pads can be purchased from a local restaurant supply store or on the web at Parts Town, [www.partstown.com/evo/parts](http://www.partstown.com/evo/parts)

Thank You For Cooking With Evo!