

AGBS45DEF

GE Artistry™ Series 30" Free-Standing Gas Range

DIMENSIONS AND INSTALLATION INFORMATION (IN INCHES)

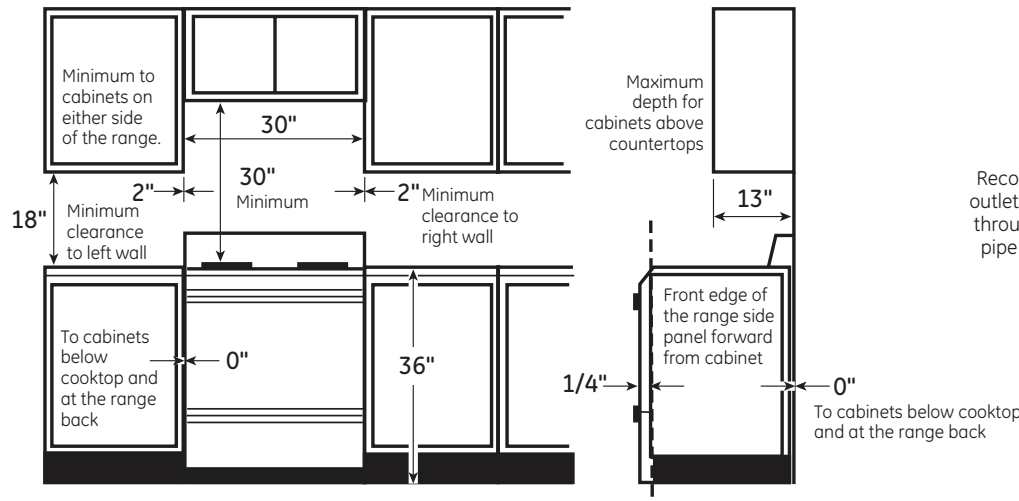
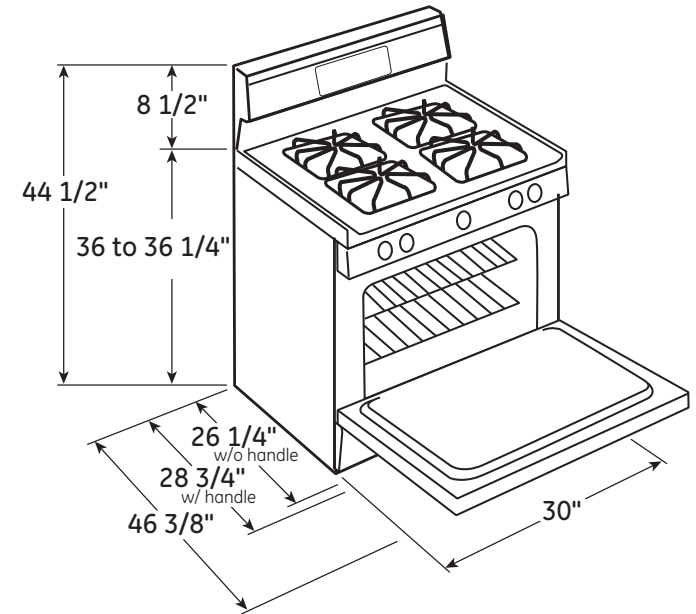
OPTIONAL GAS RANGE ACCESSORY DRIP PANS FOR SEALED AND STANDARD BURNER MODELS

(Available at additional cost) To order these accessory drip pans, call toll-free 800-626-2002

ELECTRICAL RATING: 120V, 60Hz, 15A

INSTALLATION INFORMATION: Before installing, consult installation instructions packed with product for current dimensional data.

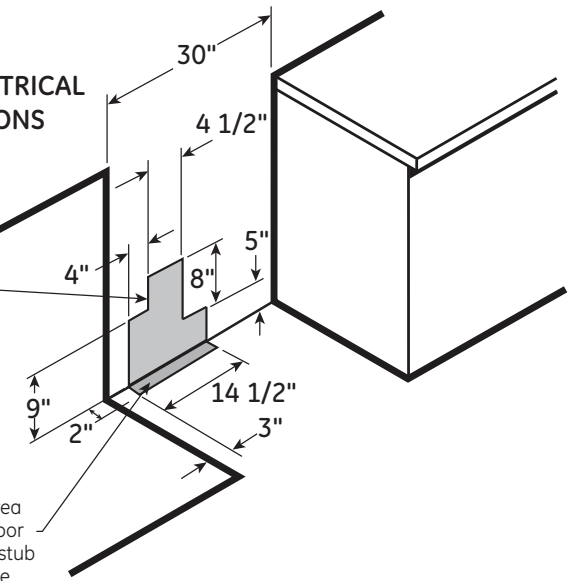
NOTE: 30" ranges conform to U.L. requirements for 0" spacing from adjacent walls below countertops. To reduce possible scorching of walls, engineering recommends a minimum of 1-1/2" spacing to allow for possible extended, high heat, no-load heating element operation.



GAS PIPE AND ELECTRICAL OUTLET LOCATIONS

Recommended area for 240V outlet on rear wall and area for through-the-wall connection of pipe stub and shut-off valve.

Recommended area for through-the-floor connection of pipe stub and shut-off valve.



GE APPLIANCES

For answers to your Monogram, GE Profile™ Series or GE® Series appliance questions, visit our website at geappliances.com or call GE Answer Center service, 800.626.2000.



All GE ranges are equipped with an Anti-Tip device. The installation of this device is an important, required step in the installation of the range.

Specification Revised 11/15

AGBS45DEF

GE Artistry™ Series 30" Free-Standing Gas Range

FEATURES AND BENEFITS

12,500 BTU Burner – Quickly produces high heat

Precise Simmer Burner – Delicate foods don't burn with low, even heat

4.8 cu. ft. oven capacity – Enough room to cook an entire meal at once

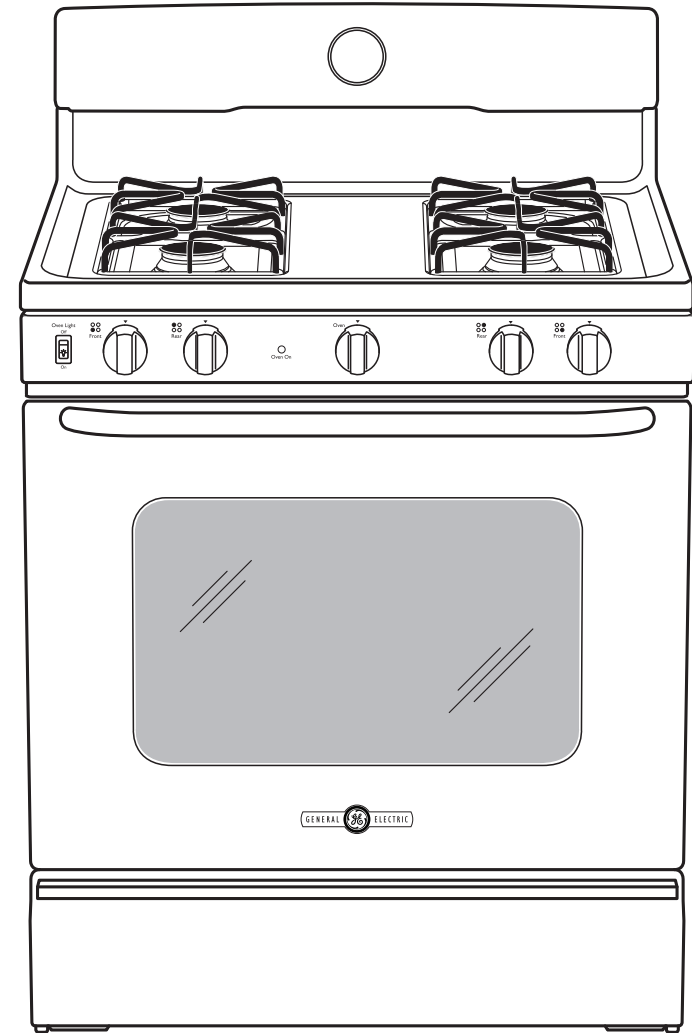
Analog Clock – Refreshingly simple and easy to read

Standard Clean Oven – Smooth surface and rounded corners make clean-up quick and easy

Porcelain Upswept Cooktop – Raised edges contain spills, while the surface is easy to wipe clean

Model AGBS45DEFWS – White on white

Model AGBS45DEFBS – Black on black



GE APPLIANCES