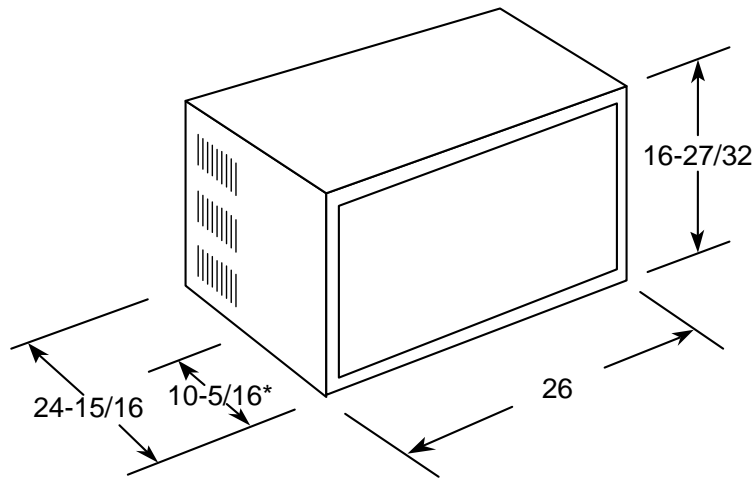




GE Appliances

AGE14DA - GE Heat/Cool Room Air Conditioner

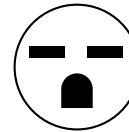
Wall Case Dimensions (in inches)



* Distance from front of case to side louvers (excluding grille).

Note: When installing units in through-the-wall applications, keep louvers free. Do not restrict air flow areas.

Tandem



230/208V
20 Amp

Wall Outlets: All wiring including installation of receptacle must be made in accordance with local electrical codes and regulations. Electrical outlet should be in reach of line cord.

Note: Aluminum wiring may pose special problems—consult a qualified electrician.

Specification Created 2/02

For answers to your Monogram®, GE Profile™ or GE appliance questions, visit our website at GEAppliances.com or call GE Answer Center® service, 800.626.2000.



Total capacity and E.E.R. ratings are calculated based on the Association of Home Appliance Manufacturers' standards.

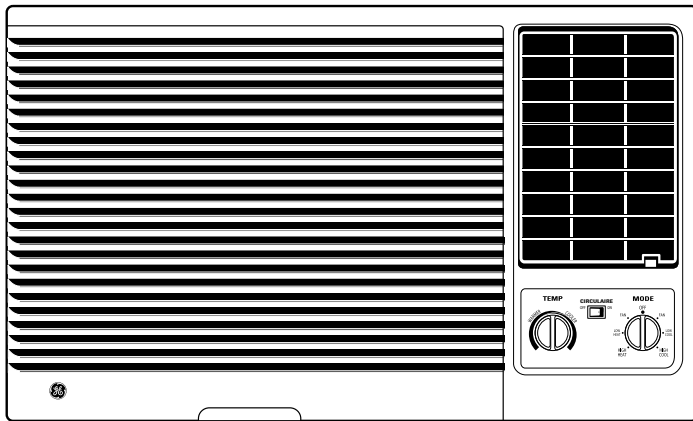


Listed by Underwriters Laboratories



GE Appliances

AGE14DA - GE Heat/Cool Room Air Conditioner



Features and Benefits

- 230/208 Volts
- 9.7/9.7 E.E.R.
- Mechanical Controls with 8-Position Thermostat
- 2 Cooling / 2 Heating Fan Speeds (1 Fan Only Position)
- 4-Way Variable Air Discharge
- Slide-Out Chassis
- Easy Cleaning Rigid, Slide-Out Filter
- Exhaust for Air Exchange
- Plug Type - Tandem
- EZ Mount Window Mounting
- Model AGE14DA