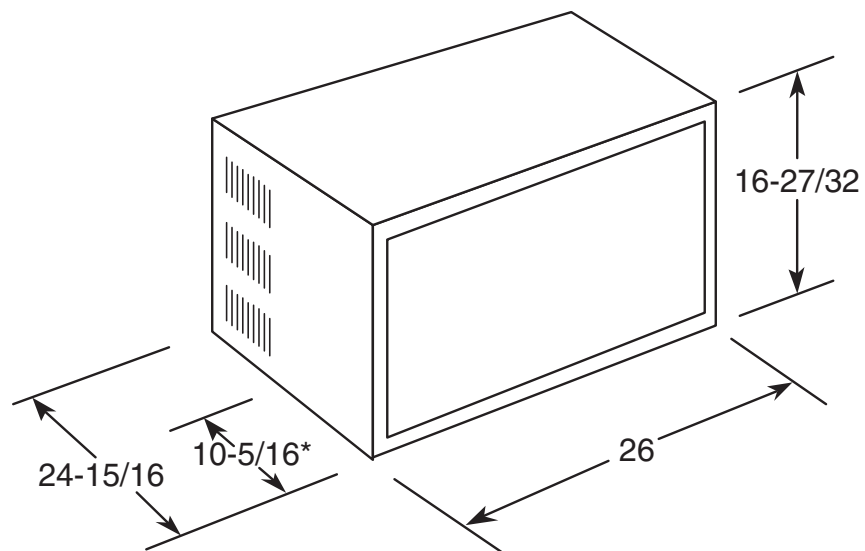




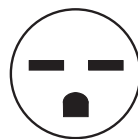
GE Appliances

AGQ18DC – GE® Electronic 230 Volt Room Air Conditioner

Wall Case Dimensions (in inches)



*Distance from front of case to side louvers (excluding grille).



Tandem
230/280V
15 Amp

Note: When installing slide-out chassis units in through-the-wall applications, keep louvers free. Do not restrict air flow areas. Fixed chassis units are not suitable for through-the-wall applications.

Wall Outlets: All wiring including installation of receptacle must be made in accordance with local electrical codes and regulations. Electrical outlet should be in reach of line cord.

Note: Aluminum wiring may pose special problems – consult a qualified electrician.

Warranty: One-Year Full Warranty on entire unit. In-home service. Parts and labor included. Five-Year Full Warranty on sealed refrigerating system. In-home service. Parts and labor included. See written warranty for details.



Listed by
Underwriters
Laboratories



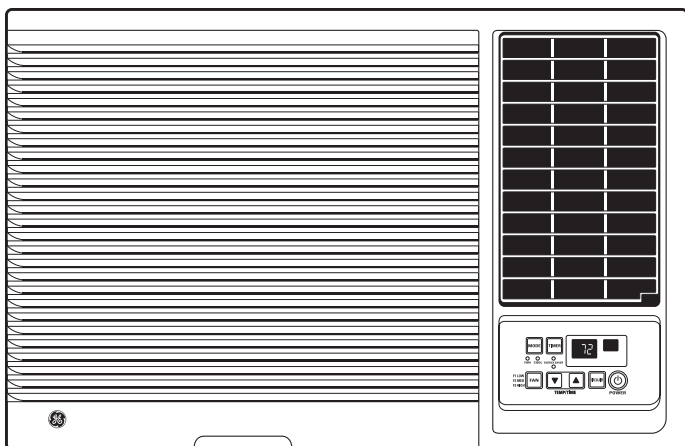
Total capacity and E.E.R.
ratings are calculated
based on the Association
of Home Appliance
Manufacturers' standards.

For answers to your Monogram®, GE Profile™ or
GE® appliance questions, visit our website at
GEAppliances.com or call
GE Answer Center® service, 800.626.2000.



GE Appliances

AGQ18DC – GE® Electronic 230 Volt Room Air Conditioner



Features and Benefits

- Circulaire™-Oscillating Louvers for Enhanced Air Circulation
- 5.5 Dehumidification (pints/hr)
- 18,000/17,500 BTUH (Cooling)
- Electronic Thermostat
- 3 Cooling/3 Fan Only Speeds
- 9.7/9.7 E.E.R.
- 230/208V Model
- Model AGQ18DC