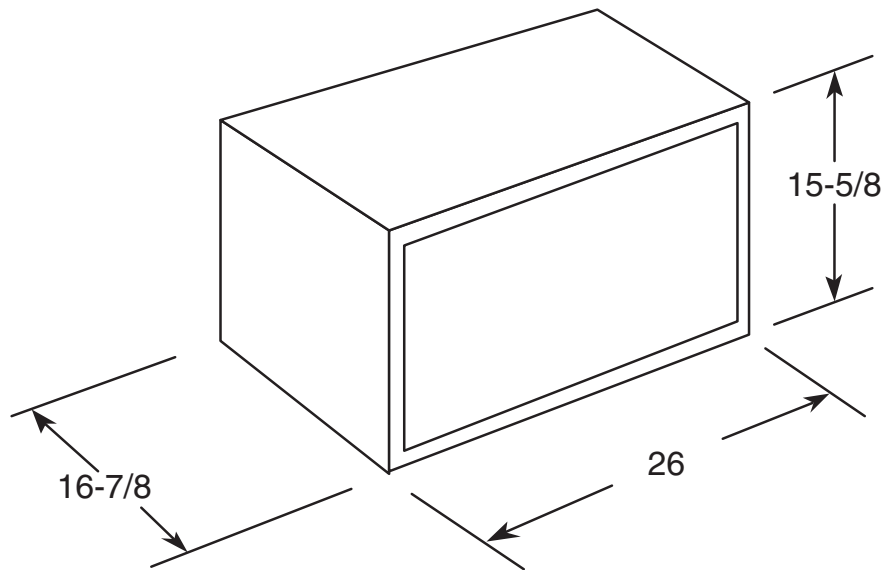




GE Appliances

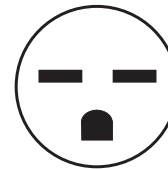
AJCQ10DCB – GE® ENERGY STAR® 230/208 Volt Built-In Room Air Conditioner

Wall Case Dimensions (in inches)



Note: When installing slide-out chassis units in through-the-wall applications, keep louvers free. Do not restrict air flow areas.

Tandem



230/208V
15 Amp



As an ENERGY STAR® partner, GE has determined that this product meets the ENERGY STAR guidelines for energy efficiency.



Total capacity and E.E.R. ratings are calculated based on the Association of Home Appliance Manufacturers' standards.



Listed by
Underwriters
Laboratories

For answers to your Monogram®, GE Profile™ or GE® appliance questions, visit our website at GEAppliances.com or call GE Answer Center® service, 800.626.2000.

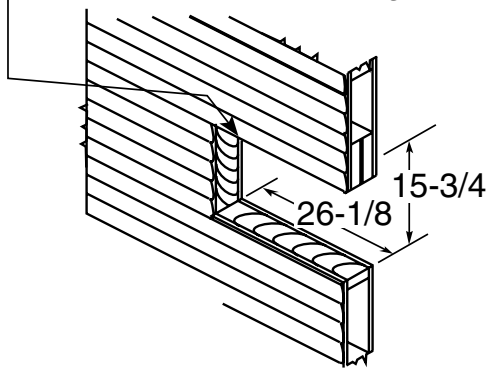


GE Appliances

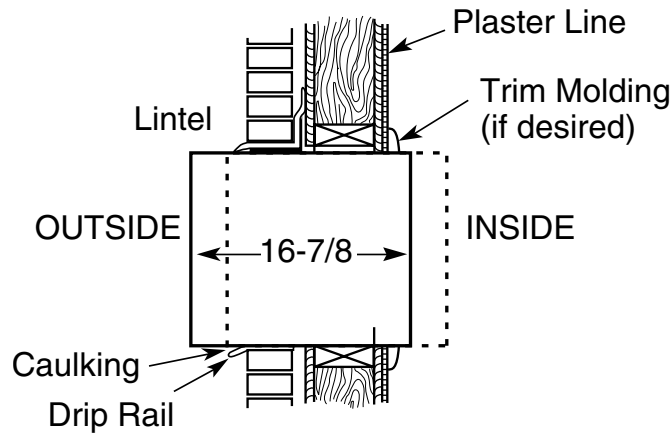
AJCQ10DCB – GE® ENERGY STAR® 230/208 Volt Built-In Room Air Conditioner

Dimensions (in inches)

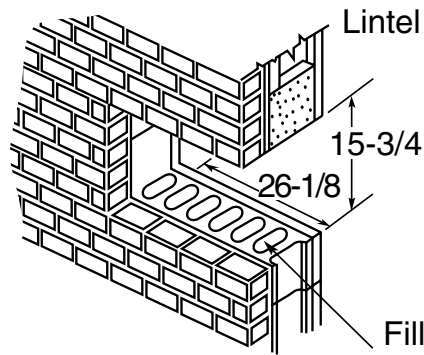
Make frame if desired or caulk between case and siding



Frame Construction



Flexible Mounting Position



Brick Block and Brick Frame Construction

Fill open cells with mortar or insulation

Installation Information: A finished opening of 26-1/8" x 15-3/4" clear of intrusions is required. Keep clearance of 4" from side walls. Brick veneer or frame walls should have wood studding surrounding case to provide firm anchoring with screws. Case can be fastened directly to brick or block walls with screws sunk in lead expansion shields.

Note: Units should be caulked on all four sides of case to the building exterior to assure building integrity.

Two Wall Cases for Tenant Option Installation

When the air conditioner is offered as a tenant option, these wall cases provide protection against outside elements.

RAB47 – includes wall case, exterior grille and steel closure panels.

RAB48 – includes wall case, exterior grille, steel closure panel and two layers of insulation.

Standard Wall Case RAB46

Solid-sided wall case fabricated of galvanized steel with baked enamel finish. Welded areas are coated with a sealing compound to help resist rust and corrosion. Polymer gasket surrounds opening to assure tight weather seal. Aluminum grille (RAG13) is included. Panels on interior and between case and grille provide weather protection prior to installation of chassis, provide firm anchoring with screws. Case can be fastened directly to brick or block walls with screws sunk in lead expansion shields.



As an ENERGY STAR® partner, GE has determined that this product meets the ENERGY STAR guidelines for energy efficiency.



Total capacity and E.E.R. ratings are calculated based on the Association of Home Appliance Manufacturers' standards.



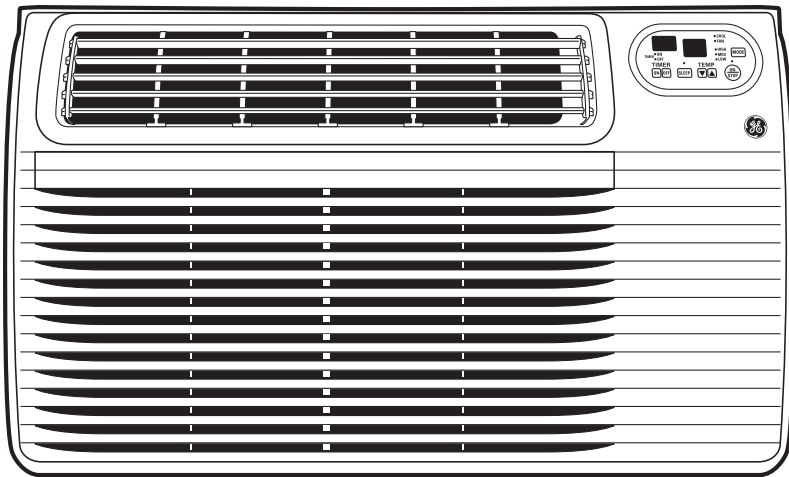
Listed by Underwriters Laboratories

For answers to your Monogram®, GE Profile™ or GE® appliance questions, visit our website at GEAppliances.com or call GE Answer Center® service, 800.626.2000.



GE Appliances

AJCQ10DCB – GE® ENERGY STAR® 230/208 Volt Built-In Room Air Conditioner



Features and Benefits

- 9900/9700 BTU
- 9.5/9.5 EER
- 230/208 Volts
- ENERGY STAR® qualified
- Electronic controls with remote
- Electronic digital thermostat
- Four-way air direction
- 3 Cool/3 fan speeds
- Up-front, washable air filter
- Power interruption restart
- Model AJCQ10DCB – Cameo White



As an ENERGY STAR® partner, GE has determined that this product meets the ENERGY STAR guidelines for energy efficiency.

Specification Revised 6/04

390226