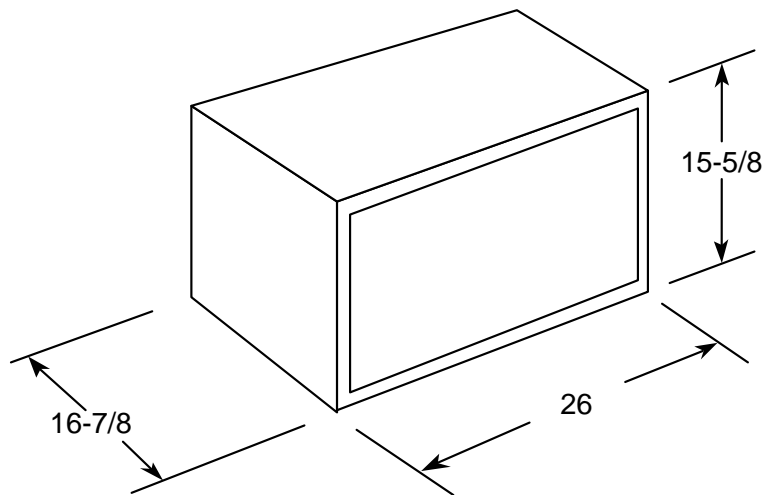




GE Appliances

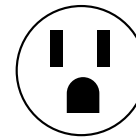
AJCS10AZ—"J Series" Window/Built-In Cooling Unit

Wall Case Dimensions (in inches)



Note: When installing units in through-the-wall applications. Do not restrict air flow areas.

Parallel



115V
15 Amp



Total capacity and E.E.R. ratings are calculated based on the Association of Home Appliance Manufacturers' standards.



Listed by Underwriters Laboratories



GE Appliances

AJCS10AZ—"J Series" Window/Built-In Cooling Unit

Features and Benefits

- Decorative Warm Gray-Beige Front
- 9,900 BTUH, 9.2 E.E.R., 115 Volts
- Fan Cycle Switch for Reduced Energy Consumption
- Variable Setting Thermostat
- 2 Cooling/2 Fan Only Speeds
- EZ Mount Window Installation
- Slide-Out Filter for Easy Cleaning
- Exhaust for Air Exchange
- Slide-Out Chassis
- Wall Case Included
- Plug Type—Parallel