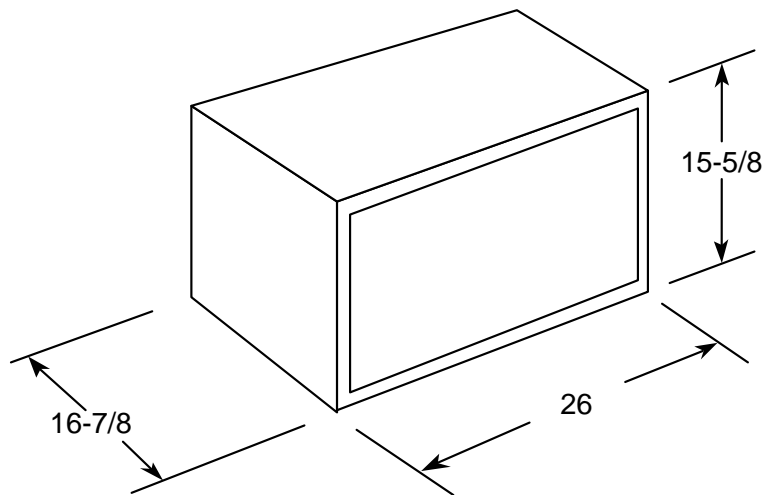




GE Appliances

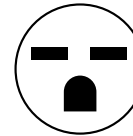
## AJCS12DC—"J Series" Cool Unit

Wall Case Dimensions (in inches)



**Note:** When installing units in through-the-wall applications. Do not restrict air flow areas.

Tandem



230/208V  
15 Amp

For answers to your Monogram,<sup>®</sup>GE Profile Performance Series,<sup>™</sup> GE Profile,<sup>™</sup> GE, Hotpoint and RCA appliance questions, call GE Answer Center<sup>®</sup> service, 800.626.2000.



Total capacity and E.E.R. ratings are calculated based on the Association of Home Appliance Manufacturers' standards.



Listed by Underwriters Laboratories

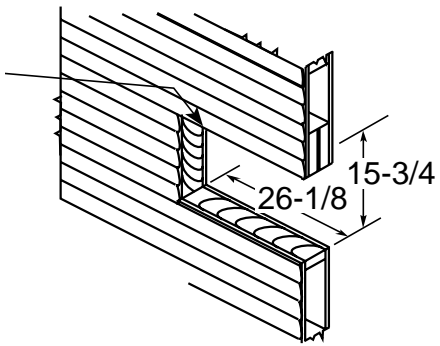


GE Appliances

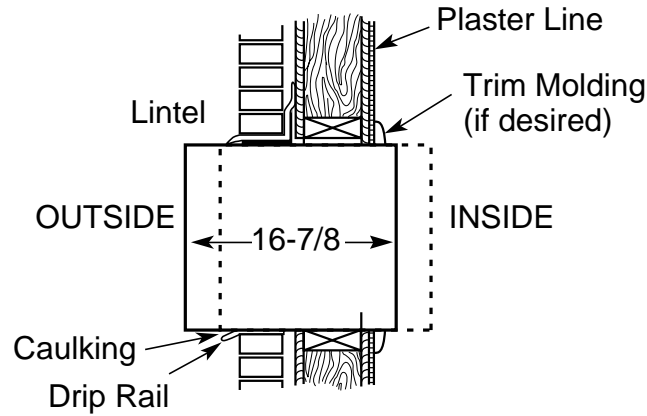
## AJCS12DC—"J Series" Cool Unit

### Dimensions (in inches)

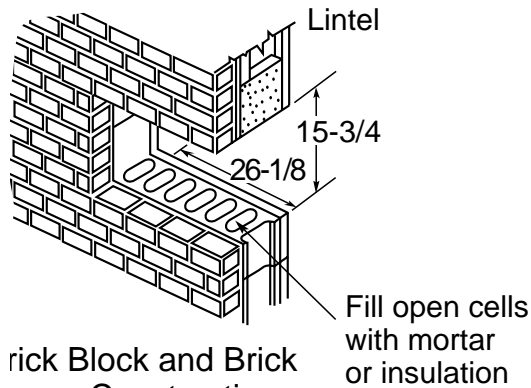
Make frame if desired or caulk between case and siding



Frame Construction



Flexible Mounting Position



Brick Block and Brick Frame Construction

**Installation Information:** A finished opening of 26-1/8" x 15-3/4" clear of intrusions is required. Keep clearance of 4" from side walls. Brick veneer or frame walls should have wood studding surrounding case to provide firm anchoring with screws. Case can be fastened directly to brick or block walls with screws sunk in lead expansion shields.



Total capacity and E.E.R. ratings are calculated based on the Association of Home Appliance Manufacturers' standards.

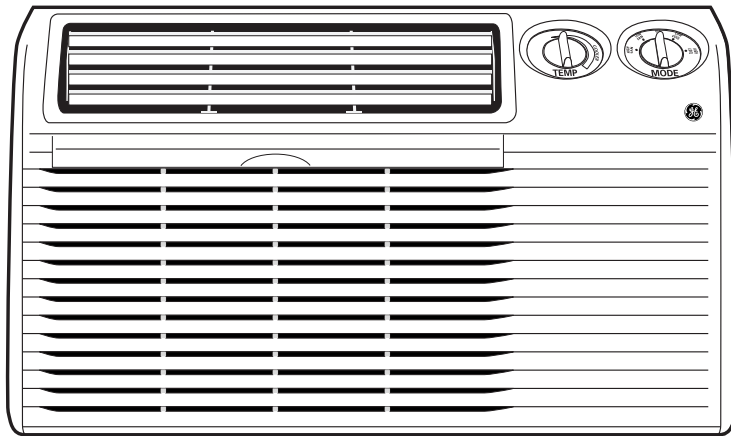


Listed by Underwriters Laboratories



GE Appliances

## AJCS12DC—"J Series" Cool Unit



### Features and Benefits

- Decorative Warm Gray-Beige Front
- 11,600/11,400 BTUH, 9.0/9.0 E.E.R., 230/208 Volts
- Fan Cycle Switch for Reduced Energy Consumption
- Variable Setting Thermostat
- 2 Cooling/2 Fan Speeds
- Wall Installation
- Slide-Out Filter for Easy Cleaning
- Exhaust for Air Exchange
- Slide-Out Chassis
- Wall Case—Optional Accessory (RAB46/47/48)
- Plug Type—Tandem