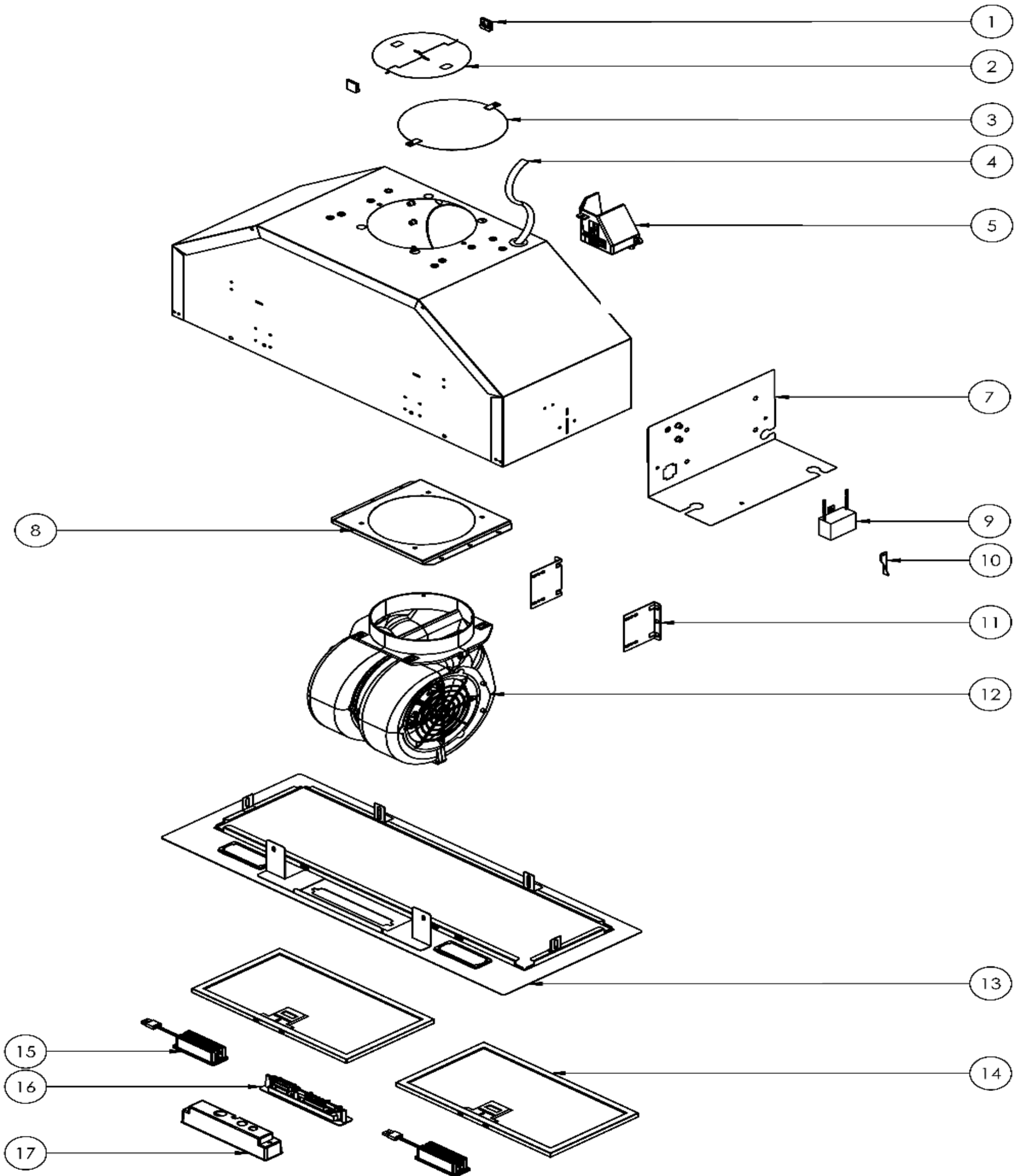


# AK8000CS



# ZEPHYR

# Twister

**AK8000CS**

Ref #	Part #	Description	Qty.
1	50180002	Damper Clip	2
2	54060004	6 In. Round Damper	1
3	54210028	Duct Opening Cover	1
4	11030166	Electrical Wire	1
5	54200012	Electrical Junction Box	1
7	50140190	Internal Panel	1
8	54140312	Blower Bracket	1
9	12050040	Capacitor	1
10	54150007	Spring Clip	1
11	54140076	Blower Side Brackets	2
12	12120095	Blower	1
13	50130187	Bottom Panel, SN10	1
13	50130180	Bottom Panel, SN11+	1
14	50200063	Aluminum Mesh Filter	2
15	Z0B0050	LumiLight LED, 6W	2
16	11000162	Switch Assembly	1
17	56200021	Switch Housing	1
18	05000163	Hardware Packet	1
19	11030179	Wiring, Blower & Lights	1

MAR24.0301