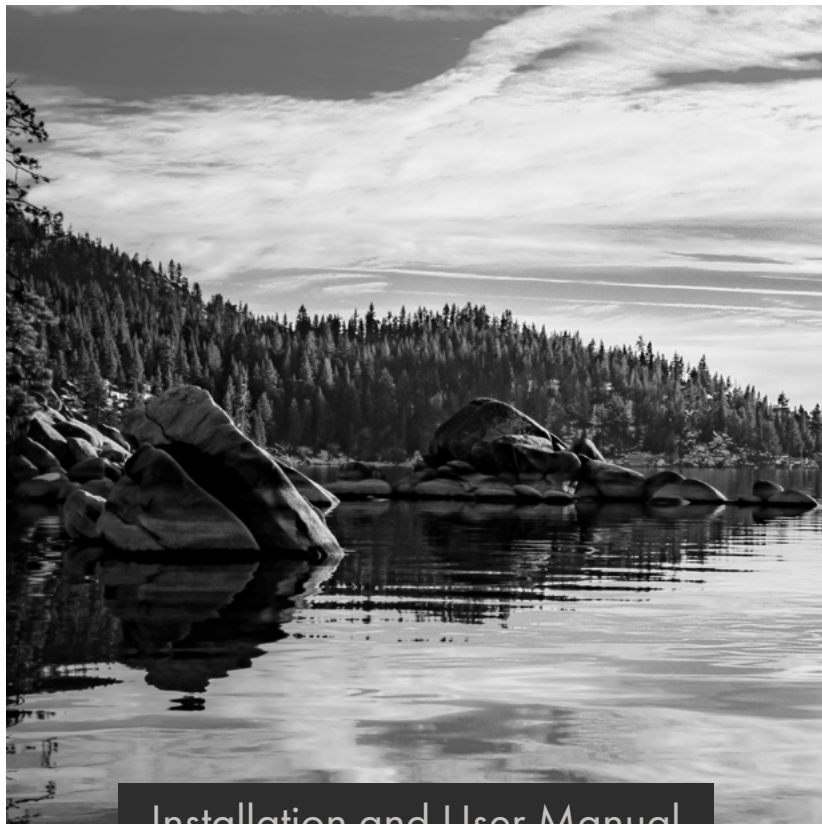


# ZLINE

ATTAINABLE LUXURY<sup>®</sup>



Installation and User Manual

## ALPINE SERIES RANGE HOODS

[www.zlinekitchen.com](http://www.zlinekitchen.com)



ZLINE Kitchen and Bath provides Attainable Luxury, where the kitchen and bath of your dreams is never out of reach. Through our unique designs and unparalleled quality, we're dedicated to providing you an elevated experience in the heart of your home. With an endless selection of features and finishes, our inspiration is your reality.

**ZLINE**  
ATTAINABLE LUXURY®



ZLINE is fueled by a passion for innovation; A relentless pursuit of bringing the highest end luxury designs and professional features into everyone's homes.

Because we continually strive to improve our products, we may change specifications and designs without prior notice.

Scan the QR code to view the most up-to-date version of the Installation Manual and User Manual.

**⚠ WARNING:** This product can expose you to chemicals including nickel, which is known to the State of California to cause cancer. For more information, go to [www.P65Warnings.ca.gov](http://www.P65Warnings.ca.gov).

# TABLE OF CONTENTS

- IMPORTANT SAFETY INSTRUCTIONS ..... 1
  
- WALL MODELS ..... 4
  - Before Installation . . . . . 4
  - Installation . . . . . 9
  - Operation . . . . . 14
  
- ISLAND MODELS ..... 15
  - Before Installation . . . . . 15
  - Installation . . . . . 16
  - Operation . . . . . 17
  
- UNDERCABINET MODELS ..... 18
  - Before Installation . . . . . 18
  - Installation . . . . . 19
  - Operation . . . . . 23
  
- MAINTENANCE AND CLEANING ..... 24
  
- TROUBLESHOOTING ..... 26
  
- WARRANTY ..... 28

# IMPORTANT SAFETY INSTRUCTIONS



If the information in this manual is not followed exactly, a fire or explosion may result causing property damage, personal injury, or death.

- Before beginning installation, please read and follow these important instructions for the safety of your home and the people living in it.
- The instructions in this manual are intended for qualified installers and certified service technicians. Installation and electrical wiring must be completed by qualified professionals and in accordance with applicable codes and standards.
- DO NOT attempt to install this appliance yourself. Injury could result from installing the unit due to lack of appropriate electrical and technical background.
- The installer should leave these instructions with the consumer who should retain for local inspectors' use and for future reference.
- Due to the size and weight of ZLINE range hoods, two-person installation is highly recommended.
- Use care when handling the range hood, chimney cover, baffle filters, and any parts or accessories, as sharp edges may lead to injury. Use of gloves during installation is highly recommended.
- The manufacturer will not be responsible for any damage to property or to persons caused by incorrect installation, improper use of the appliance, or failure to heed the warnings listed.
- The manufacturer reserves the right to make changes to its products when considered necessary and useful, without affecting the essential safety and operating characteristics.
- This appliance is designed for general ventilating use only. DO NOT use to exhaust hazardous or explosive materials and vapors.
- The combustion air flow needed for safe operation of fuel-burning equipment may be affected by this unit's operation. Follow heating equipment guidelines and safety standards such as those published by the National Fire Protection Association (NFPA), American Society of Heating, Refrigeration and Air Conditioning Engineers (ASHRAE), and local code and government authorities.
- Sufficient air is needed for proper combustion and exhausting of gases through the ducting installed with range hoods to prevent back drafting.
- Before servicing or cleaning the unit, fully disconnect the hood from power to avoid risk of electric shock and injury.

# IMPORTANT SAFETY INSTRUCTIONS

- Ducted range hoods **MUST ALWAYS** be vented to the outdoors or in some instances converted to recirculate the air. All ZLINE hoods come with a transition piece with a built-in damper.
- Some existing installations may already have an external damper at the exit point of the home. In this case, the damper in the transition piece of your hood needs to be removed, as these two dampers work against each other and will reduce the performance of the hood.
- Please consult an HVAC or installation professional for advice to comply with local regulations and ensure appropriate ventilation.
- When cutting or drilling into a wall or ceiling, be careful not to damage electrical wiring or other hidden utilities.
- All electrical wiring must be properly installed, insulated, and grounded. ZLINE range hoods come with a grounded 3-prong plug that must be plugged into a dedicated 15-amp circuit. Manipulating the plug or cutting the electrical cord will void your warranty.
- Electrical installation must be in accordance with the National Electrical Code ANSI/NPA70-latest edition and/or local codes.
- Old duct work should be cleaned or replaced, if necessary, to avoid the possibility of a grease fire or other hazard. Check all joints on duct work to ensure proper connection; all joints should be properly taped/secured.
- When a range hood ventilates air out of the room, the vented air must be replaced; this is called makeup air. If a makeup air system is needed, but not used, a hood may not function as expected due to negative air pressure.
- ZLINE does not currently provide makeup air units. Always consult applicable building codes regarding minimum and maximum air flow rates. Certain states may require additional items such as makeup air for larger CFM range hoods.
- Keep the motor, fans, baffle channels, filters, tunnels, grease cups, and grease-laden surfaces clean. Grease should not be allowed to accumulate inside or on the surface of the range hood; clean surfaces frequently.
- Take care when cleaning the range hood in spray form: never direct spray of water or cleaners onto the electrical wiring, motor, button panel, or light bulbs.
- After installation, use a stainless steel cleaning product or wipe to eliminate any residues from protective film after removal.

# IMPORTANT SAFETY INSTRUCTIONS

- When cleaning stainless steel, only use a stainless steel cleaner product with a soft sponge, or use a cloth with a warm soap and water solution. Never use abrasive powders or liquids.
- To reduce the risk of fire and to disperse air properly, make sure to vent air outside. DO NOT vent exhaust into spaces between walls, crawl spaces, ceilings, attics, basements, or garages.
- All ZLINE range hoods are ETL-listed, ensuring all parts were tested for safety and meet industry standards and regulations.
- You must purchase appropriate flexible ducting and any additional items to vent the hood in accordance with government codes. Some ZLINE range hood models include complimentary ductwork in either heat-resistant PVC or flexible metal; this can be omitted in favor of required ductwork based on government codes
- Please verify with local and state regulations on the proper venting method for your hood. Many agencies have CFM rating specifications for your hood.
- Always turn the range hood on when cooking at high heat or when cooking flaming foods. Use high settings on the cooking range below only when necessary.
- Never leave range top surface units underneath a range hood unattended at high settings. Boilovers can cause smoking and greasy spillovers that may ignite. Heat oils slowly on low or medium settings.
- Always use appropriate cookware and utensils; always use cookware appropriate for the size of the surface element on your range top underneath a range hood.
- To reduce the risk of injury in the event of a range top grease fire, smother flames with a close fitting lid, cookie sheet, or metal tray, then turn off the burner. Never pick up a flaming pan — you may be severely burned.
- Keep flammable or combustible material away from flames. If flames do not go out immediately, evacuate and call the fire department. DO NOT use water, including wet dishcloths or towels — a violent steam explosion will result.
- Carefully inspect all items for damages upon delivery. Upon acceptance of the range hood, owner assumes responsibility for its safe arrival.
- Before installing your unit, test the range hood for proper functionality by plugging it into an appropriate outlet and testing the fan and lights. Do not install any appliance if they have missing or broken parts. If units arrive damaged, contact ZLINE Customer Service at 1-614-777-5004 for help.

# WALL MODELS BEFORE INSTALLATION

Please unpack your range hood when it is delivered and inspect to ensure all parts are included. Gather the required tools before starting installation. Read and follow the instructions provided with any tools listed here. You may wish to use additional tools to assist in installation, which is intended for qualified installers and certified service technicians.

## TOOLS AND PARTS NEEDED

- Aluminum tape
- Jigsaw or key saw
- Level
- Pencil
- Phillips-head screwdriver
- Powered screwdriver / drill
- Tape measure
- Stud finder

## OPTIONAL PARTS

- Cabinet jack
- Plywood: Wide enough to cover the cooking surface below the hood

## PARTS SUPPLIED

- Range hood with transition piece
- Baffle filters
- Body mounting bracket
- Wall mounting bracket
- Installation manual
- Lower/outer chimney
- Remote control
- Screws
- Upper/inner chimney
- Upper/inner chimney screw
- Wall anchor
- Remote

# WALL MODELS BEFORE INSTALLATION

## ELECTRICAL REQUIREMENTS

- Contact a qualified electrical installer.
- Assure that the electrical installation is adequate and in conformance with National Electrical Code, ANSI/NFPA 70-latest edition, or CSA Standards C22. 1-94, Canadian Electrical Code, Part 1 and C22. 2 No. 0-M91-latest edition and all local codes and ordinances.
- If codes permit and a separate ground wire is used, it is recommended that a qualified electrician determine that the ground path is adequate.
- A 110~120V/60Hz, AC-only fused electrical supply is required on a separate 15-amp circuit, fused on both sides of the line.
- Do not ground to a gas pipe.
- Check with a qualified electrician if you are not sure that the range hood is properly grounded.
- Do not have a fuse in the neutral or ground circuit.
- **IMPORTANT:** Save manual for electrical inspector's use.
- The range hood must be connected with copper wire/plug only.
- The range hood should be connected directly to the fused disconnect (or circuit breaker) box through flexible armored or non-metallic sheathed copper cable. A UL- or CSA-listed strain relief must be provided at each end of the power supply cable.
- Wire sizes (COPPER WIRE ONLY) and connections must conform with the rating of the appliance as specified on the model/serial rating label. Wire sizes must conform to the requirements of the National Electrical Code ANSI/NFPA 70-latest edition, or CSA Standards C22. 1-94, Canadian Electrical Code Part 1 and C22. 2 No. 0-M91-latest edition and all local codes and ordinances. A UL- or CSA- listed conduit connector must be provided at each end of the power supply cable (at the range hood and at the junction box).
- Copies of the standards listed may be obtained from:

**CSA International**

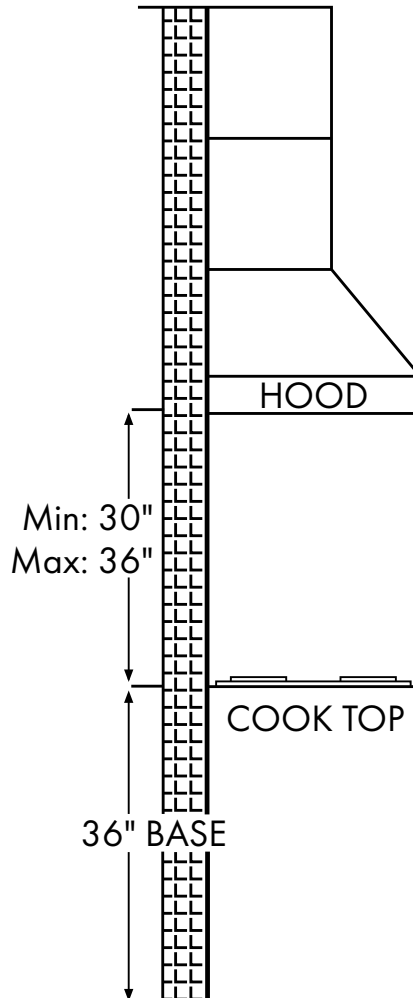
8501 East Pleasant Valley Road  
Cleveland, Ohio 44131-5575

**National Fire Protection Association**

Batterymarch Park  
Quincy, Massachusetts 02269

# WALL MODELS BEFORE INSTALLATION

## INSTALLATION CLEARANCES



- NEVER exhaust air or terminate ductwork into crawl spaces, between walls, ceiling, attics or garages. All exhaust must be ducted to the outside.
- Hood mounted too low could result in heat and/or fire hazard. Hoods mounted too high will be hard to reach and will lose its performance and efficiency.
- Use metal ductwork only.
- DO NOT use plastic ventilation.
- DO NOT use 4" laundry-type wall caps.
- Fasten all connections with sheet metal screws.
- Tape all joints with aluminum tape.
- Use caulking to seal exterior wall or roof openings around the cap.
- The ventilation system must have a damper. If the roof or wall cap has a damper, you may opt out from usage of your range hood supplied damper (for some models only).

# WALL MODELS BEFORE INSTALLATION

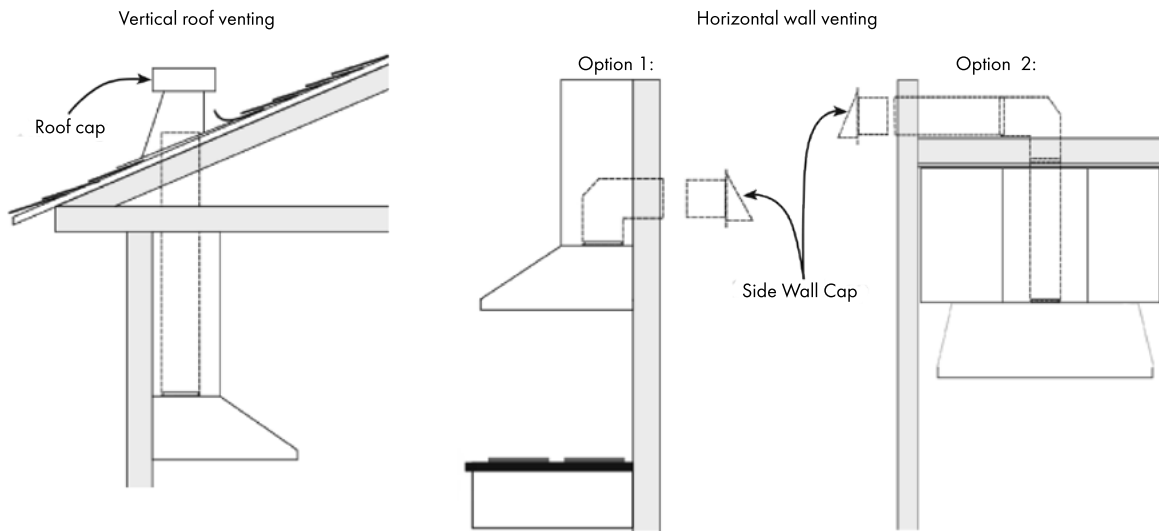
## FOR THE MOST EFFICIENT AND QUIET OPERATION:

- A distance of 30" to 36" is recommended between cooktop and the bottom of range hood. It is important to install the hood at the proper mounting height. Hoods mounted too low could result in heat damage and fire hazard; while hoods mounted too high will be hard to reach and will lose its performance and efficiency.
- If available, also refer to cook top manufacturer's height clearance requirements and recommended hood mounting height above range.
- In terms of ducting, it is recommended that the range hood be vented vertically through the roof with solid ducting made of galvanized steel or another appropriate rigid metal ducting whenever possible for the lowest noise and highest flow.
- Use a maximum of 40' of ductwork. Try to minimize the use of elbows.
- It's recommended to establish a minimum of 12" of vertical airflow from the top of the hood before executing any 90° turn. No more than 3 elbows are allowed; each 90° turn you make equates to 5' lost when accounting for the maximum 40' of ductwork.
- Do not use any reducers on ducting smaller than the appropriate diameter, which is 6" for ZLINE Alpine Series range hoods (some models may require 8" diameter ducting).
- Any existing or additional dampers should be inspected for proper operation.
- DO NOT install two elbows together.
- If turns or transitions are required, install them as far from the hood as possible and make the turns or transitions, when used in conjunction, to be as far away from the others as possible.
- Always consult an HVAC or installation professional to determine the best ducting option for your range hood, as each kitchen and home layout will vary.
- The size of the vent should be uniform or larger than the cooking surface below.
- Use silver tape to seal all joints in the vent system.
- Use caulking to seal exterior wall or roof opening around the cap.
- Always use rigid type metal/aluminum ducts, if available, to maximize airflow when connecting to provided duct.

# WALL MODELS BEFORE INSTALLATION

## VENTING METHODS

This range hood is factory set for venting through the roof or wall. Vent work can terminate either through the roof or wall. To vent through a wall, use a 90° elbow.



### IMPORTANT:

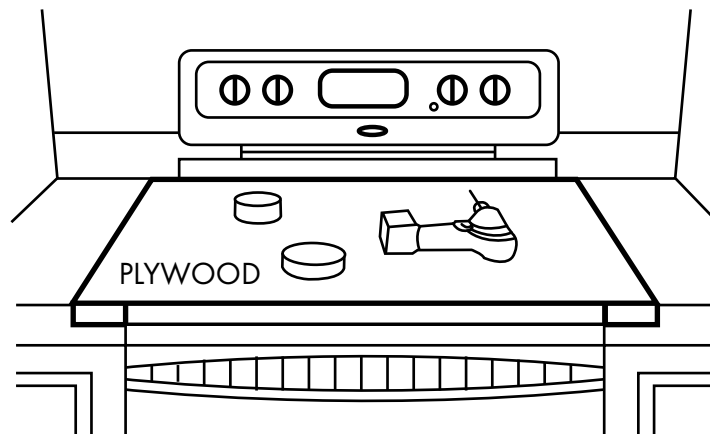
- NEVER exhaust air or terminate duct work into spaces between walls, crawl spaces, ceiling, attics or garages. All exhaust must be ducted to the outside.
- Use metal/aluminum duct work only.
- Fasten all connections with sheet metal screws and tape all joints with certified silver tape. Use caulking to seal exterior wall or roof opening around the cap.



WARNING Moving and installing the range hood is a two-person job. Spinal or other bodily injuries could occur if this is not followed.

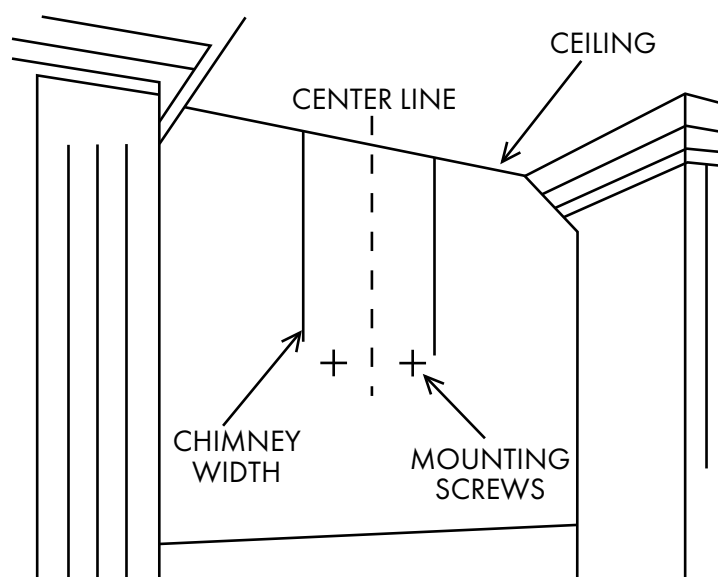
# WALL MODELS INSTALLATION

## STEP 1: (OPTIONAL) PROTECT THE COOK TOP AND CREATE WORK STATION



If you wish, place wide pieces of plywood on top of the cooktop below the hood to protect the cooktop or range from damage or debris. This plywood will also create a comfortable work station for easy installation of hood unit.

## STEP 2: MARKING ON THE WALL



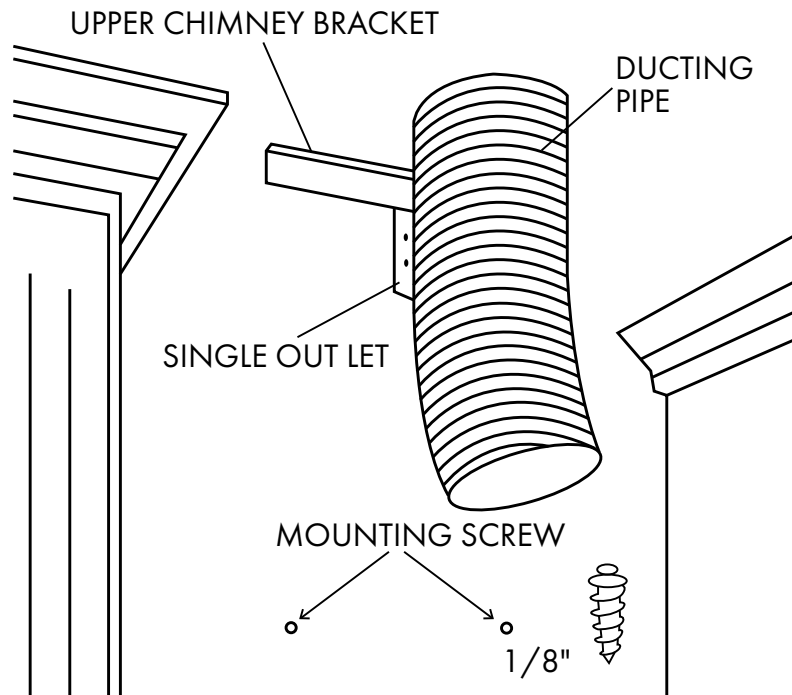
1. Center line: is the center of cooktop or stove.
2. Chimney width: is the width of the chimney (varies with each model).
3. Mounting screws: where the hood body will be positioned.

## MOUNTING SCREW HOLE DIMENSIONS

- Width: Dimension from center to center of mounting bracket hole.
- Height: Dimension from cook top to bottom of range hood (varies from 30" to 36") plus from bottom of range hood to mounting bracket hole.

# WALL MODELS INSTALLATION

## STEP 3: PREPARE DUCTWORK AND SINGLE OUTLET (SKIP THIS STEP IF DUCTWORK IS ALREADY PRESENT)



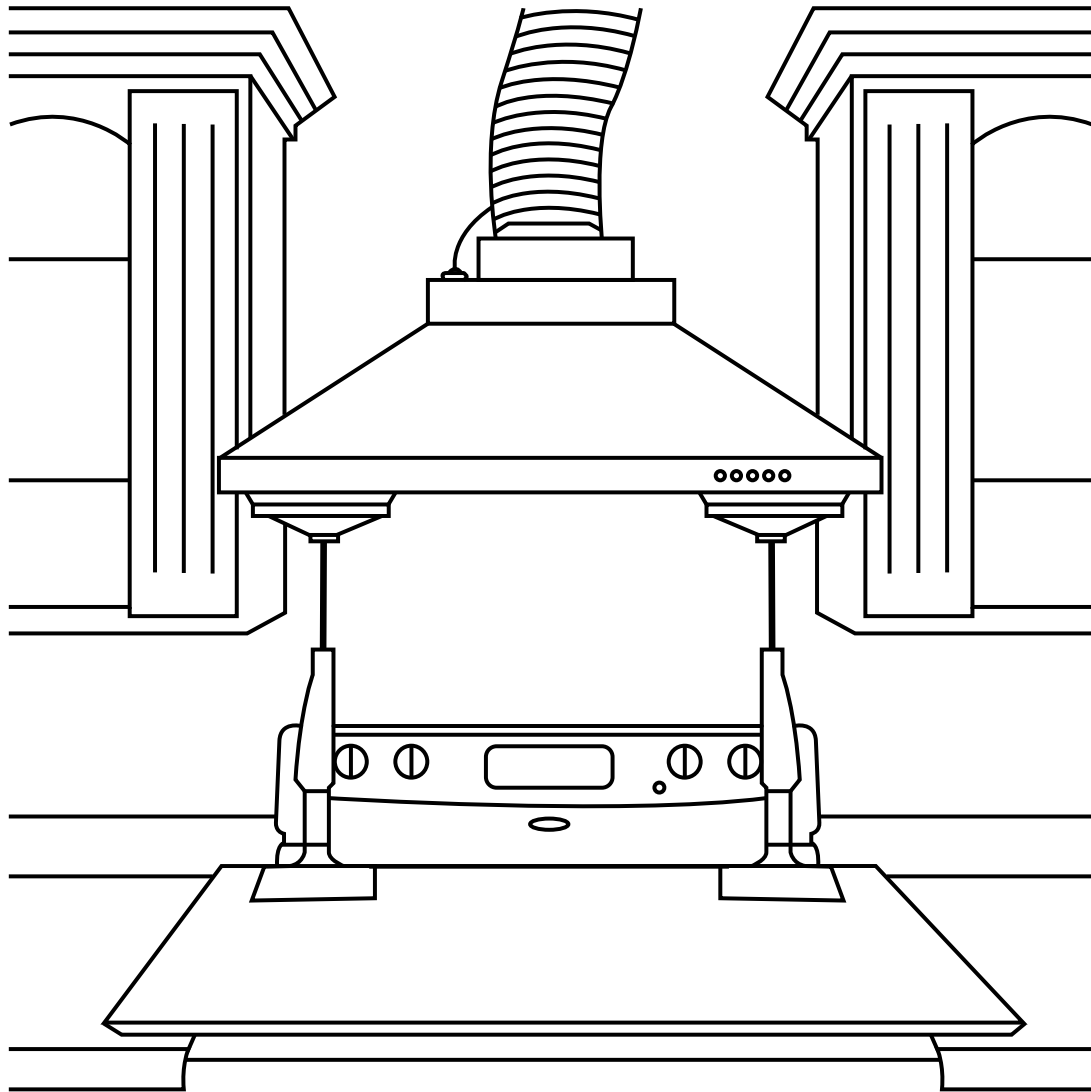
1. Locate a 120VAC, 60 Hz AC, 15-amp single outlet anywhere inside the chimney width lines (make sure it's at least 2" below the ceiling line to allow space for the ceiling bracket mount).
2. Use 6" diameter ductwork (depending on model; some may require 8" diameter ductwork) brought down from the ceiling to about the mark of mounting screws. (1"-2" away from wall is recommended since you need room to plug in the unit).
- Optional: Fasten two Type "A" anchors (for range hood and for mounting bracket) on the wall. Loosely fasten two Type "B" screws onto anchors — DO NOT fasten screws all the way. Hang the range hood on the Type "B" screws and hand tighten them. Leave approximately 1/8" of gap from the wall to the range hood.

## STEP 4: INSTALL CEILING BRACKET, MOUNTING ANCHORS, AND SCREWS

- Place center of ceiling mount bracket in line with center line and a little of the way down from the ceiling (line up holes with upper chimney before installing to confirm exact distance). Once in place, secure with screws.
- Pre-drill holes (1/8") where your mounting marks are.
- Slowly tighten wall anchors (2 total) until the bracket is flush with the wall surface.
- Insert mounting screws inside the wall anchors then slowly tighten them down. Make sure to leave about 1/8" space away from the wall to the inside screw's head.

# WALL MODELS INSTALLATION

## STEP 5: HANG THE HOOD AND CONNECTION



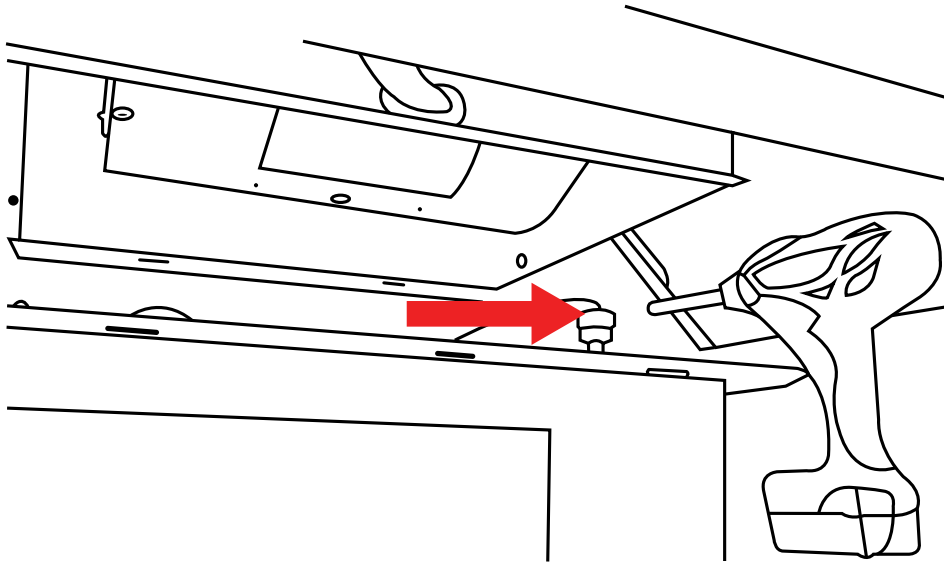
1. Carefully lift and hang the hood body on the wall, attaching it to 2 mounting screws already in place. Use a cabinet jack if desired.
2. Level the hood body by using a horizontal level.
3. Use a screwdriver to tighten the 2 mounting screws.
4. Connect the exhaust on the hood to the ductwork above.
5. Use aluminum tape to make all joints secure and all tight.
6. Connect the three-pronged power cord plug to an appropriate electrical outlet.



Do not release the hood until you finish step 6.

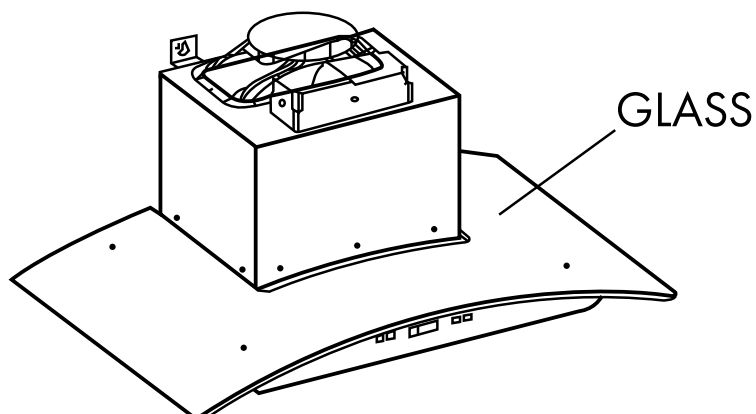
# WALL MODELS INSTALLATION

## STEP 6: SECURE THE HOOD BODY AND TEST RUN



1. Use a stud finder to find all studs behind the hood body. Put blue tape on every stud found.
2. Use 1/8" drill bit to drill through the back of hood in line with blue tape.
3. Secure the hood body by using the 2" wood screws (provided) through the back of hood to the stud.
4. Refer to "Operation" on page 14 to familiarize yourself with the button controls. Try a few test runs to ensure the hood is running properly.

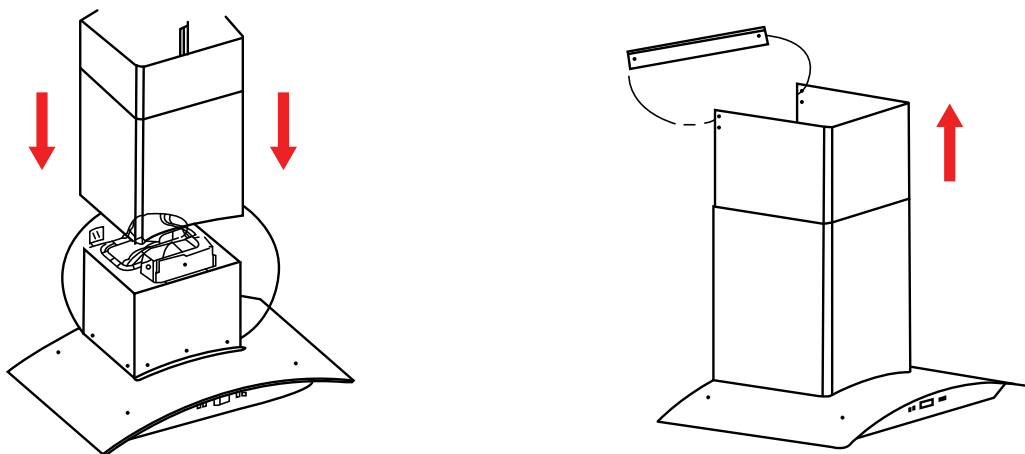
## STEP 6A: FOR GLASS CANOPY MODELS ONLY - INSTALL GLASS CANOPY



1. Loosen the four canopy screws and washers from the hood top.
2. Carefully place the canopy glass on the hood top, then slightly tighten the four canopy screws along with washers. DO NOT put excessive pressure against the glass.

# WALL MODELS INSTALLATION

## STEP 7: INSTALLING CHIMNEYS - DO NOT REMOVE INNER CHIMNEY PROTECTIVE FILM UNTIL FINISHED INSTALLATION

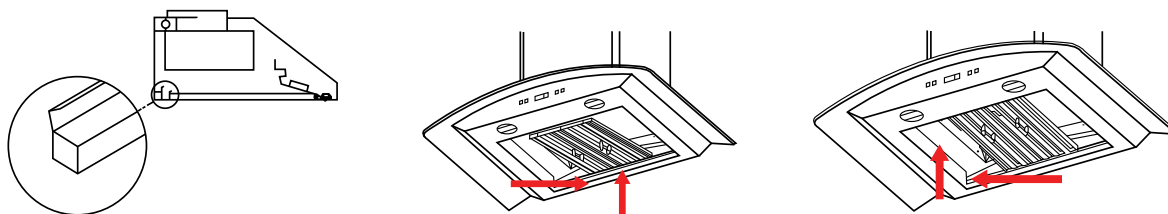


1. Remove outer chimney protective film (not the inner chimney).
2. Place both chimneys on top of range hood base.
3. Secure outside chimney to the base of the hood.
4. Lift up and attach the inner chimney to the wall mounting bracket.
5. Screw the chimney into place on both sides.
6. Remove inner chimney protective film.

## STEP 8: BAFFLE FILTERS INSTALL AND REMOVAL



FOR MODELS THAT HAVE MORE THAN 2 BAFFLE FILTERS, ALWAYS INSTALL THE MIDDLE FILTER LAST. LIKEWISE, REMOVE THE MIDDLE FILTER FIRST IF YOU ARE TRYING TO REMOVE ALL OTHER FILTERS.



### OIL TUNNEL

Drop oil tunnel into the recess support near the rear of hood.

### INSTALL AND REMOVE BAFFLE FILTERS

1. Angle baffle filter toward back of hood
2. Lift a baffle filter up above horizontal level then slide forward into slot behind the front of hood. To remove, reverse the process.

# WALL MODELS OPERATION



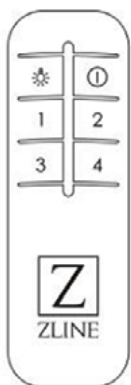
- Power: Turn ON/OFF the range hood and activate power-off delay timer (3mins).
- Low Speed: Light frying/boiling.
- Medium Speed: Frying/wok cooking/heavy boiling.
- High Speed: Intensive frying and wok cooking.
- Light: Turn ON/OFF.

Adjusting the blower (motor) speed: Press the power key then press any speed buttons one time. The blower will start at any speed. Press same button again to shut down the blower.

Adjusting the timer function: Turn the hood on at any speed and press the power-off delay button one time. It will enter timer mode and the power-off delay digital timer will begin countdown. Press again and the blower will shut down.



**Never put your hand into area housing the fan while the fan is operating.**



The remote control is a 433M high frequency remote control. The distance of the remote control is 32'. The signal can pass through the wall.

The remote needs to pair with the hood before first use. Press the Lamp key on range hood for 5 seconds. Once the light of the lamp button on the hood flickers, press any button on the remote control. If the LED of lamp button stops flickering, the pairing is done.

# ISLAND MODELS BEFORE INSTALLATION

Please unpack your range hood when it is delivered and inspect to ensure all parts are included. Gather the required tools before starting installation. Read and follow the instructions provided with any tools listed here. You may wish to use additional tools to assist in installation, which is intended for qualified installers and certified service technicians.

## TOOLS AND PARTS NEEDED

- Aluminum tape
- Jigsaw or key saw
- Level
- Pencil
- Phillips-head screwdriver
- Powered screwdriver / drill
- Tape measure
- Stud finder

## OPTIONAL PARTS

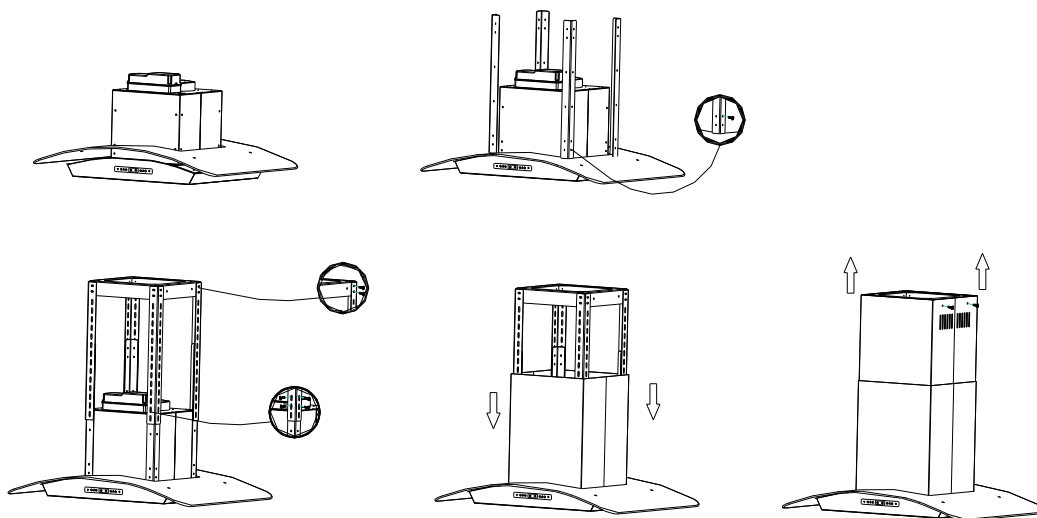
- Cabinet jack
- Plywood: Wide enough to cover the cooking surface below the hood

## PARTS SUPPLIED

- 6" flexible ducting (this may not be included in some models)
- Angle iron brackets
- Baffle filters
- Ceiling mounting bracket
- Hardware kit
- Installation manual
- Remote

# ISLAND MODELS INSTALLATION

The recommended height to install your hood is 30" minimum and 36" maximum above the cooktop. The same ducting requirements (40' max, with limited elbows) for wall hoods applies to island hoods.



1. Locate the center above the stove where the hood is to be installed. Ensure that the bracket will be secured to solid wood backing. Attach mounting bracket to the ceiling.
2. Attach the transition piece and ducting to top of the hood.
3. Attach the four long angle iron pieces to the hood's motor housing.
4. Determine desired height and attach the four short angle iron pieces to the long angle iron pieces that are attached to the hood.
5. Install the duct work in the center of the ceiling bracket.
6. Slide chimney pieces over the angle iron on the hood. Pull the electrical plug to the top of the chimney sections.
7. Lift the hood to attach the angle iron to the ceiling bracket. Use screws provided to attach.
8. Make your electrical and ducting connections. Use rigid ducting wherever possible. Try and minimize the use of elbows. More elbows and longer runs create higher static pressure. No more than two to three elbows are recommended. The hood comes with a grounded three-prong plug that can be plugged into a 15-amp circuit outlet installed in the ceiling. The cord is 36" long.
9. Slide top chimney piece up over the mounting bracket on the ceiling and secure it in place with the provided screws.
10. Install stainless steel baffle filters. Before installing baffle filters, make sure that you insert the grease cup under the motor blower.

# ISLAND MODELS OPERATION



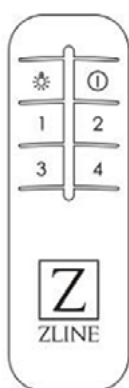
- Power: Turn ON/OFF the range hood and activate power-off delay timer (3mins).
- Low Speed: Light frying/boiling.
- Medium Speed: Frying/wok cooking/heavy boiling.
- High Speed: Intensive frying and wok cooking.
- Light: Turn ON/OFF.

Adjusting the blower (motor) speed: Press the power key then press any speed buttons one time. The blower will start at any speed. Press same button again to shut down the blower.

Adjusting the timer function: Turn the hood on at any speed and press the power-off delay button one time. It will enter timer mode and the power-off delay digital timer will begin countdown. Press again and the blower will shut down.



**Never put your hand into area housing the fan while the fan is operating.**



The remote control is a 433M high frequency remote control. The distance of the remote control is 32'. The signal can pass through the wall.

The remote needs to pair with the hood before first use. Press the Lamp key on range hood for 5 seconds. Once the light of the lamp button on the hood flickers, press any button on the remote control. If the LED of lamp button stops flickering, the pairing is done.

# UNDERCABINET MODELS BEFORE INSTALLATION

## PARTS NEEDED

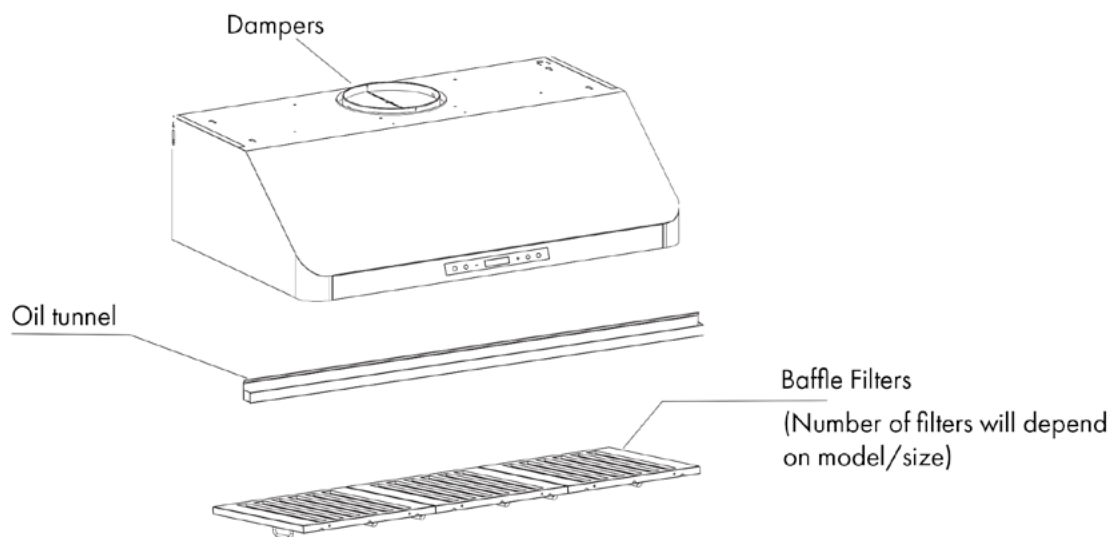
- Aluminum tape
- Hex bit extension
- Jigsaw or key saw
- Level
- Pencil
- Phillips-head screwdriver
- Powered screwdriver
- Stud finder
- Tape measure

## OPTIONAL PARTS

- Cabinet jack
- Plywood: Wide enough to cover the cooking surface below the hood

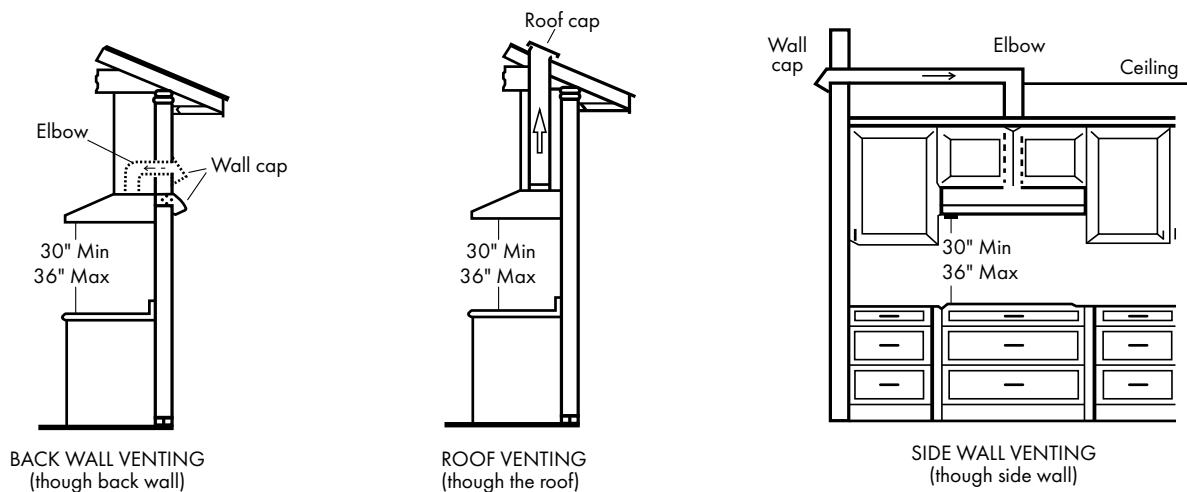
## PARTS SUPPLIED

- Baffle filters
- Body and main range hood unit
- Installation manual
- Oil tunnel
- Remote control



# UNDERCABINET MODELS INSTALLATION

The recommended height to install your undercabinet hood is 30" minimum and 36" maximum above the cooktop. The same ducting requirements (40' max, with limited elbows) for wall and island hoods applies to undercabinet hoods. See below for common venting scenarios for undercabinet hoods.



## BACK WALL VENTING

(1st choice) Ducting goes up straight inside upper cabinet then turns and goes horizontally straight through an exterior wall behind the hood. This will be the shortest ducting length.

## ROOF VENTING

(2nd choice) This is the most efficient way and highly recommended. Ducting goes vertically above the range hood through the house's roof.

## SIDE WALL VENTING

(3rd choice) Ducting goes through the kitchen ceiling from the top of the hood and then through a nearby exterior wall.

## STEP 1: PROTECT THE COOKTOP (OPTIONAL)

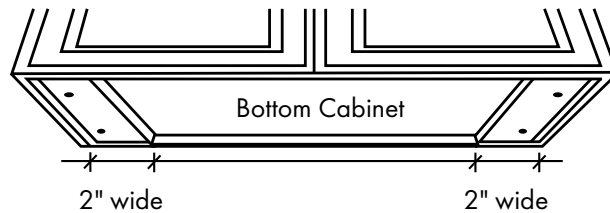
If you wish, place wide pieces of plywood at least 2" thick on top of the cooktop below the hood to protect the cooktop or range from damage or debris. This plywood will also create a comfortable work station for easy installation of hood unit.

## STEP 2: PREPARE DUCTWORK & SINGLE OUTLET

- Install a 120VAC, 60Hz, 15-amp single outlet on the left or right of the duct pipe (usually located to the right or left side of the cabinet)
- Make sure ducting is ready to hook up to the range hood before beginning installation.

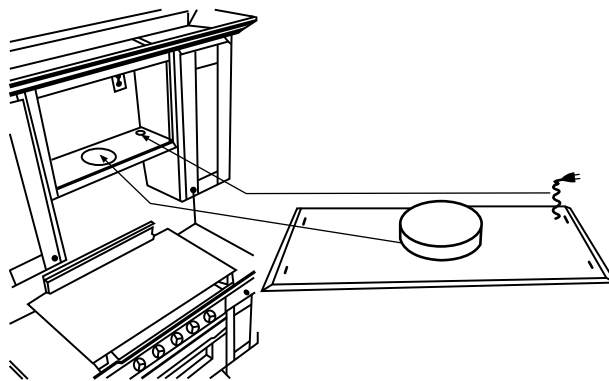
# UNDERCABINET MODELS INSTALLATION

## STEP 3: ATTACH 2" WIDE WOOD FILLER STRIPS (OPTIONAL)



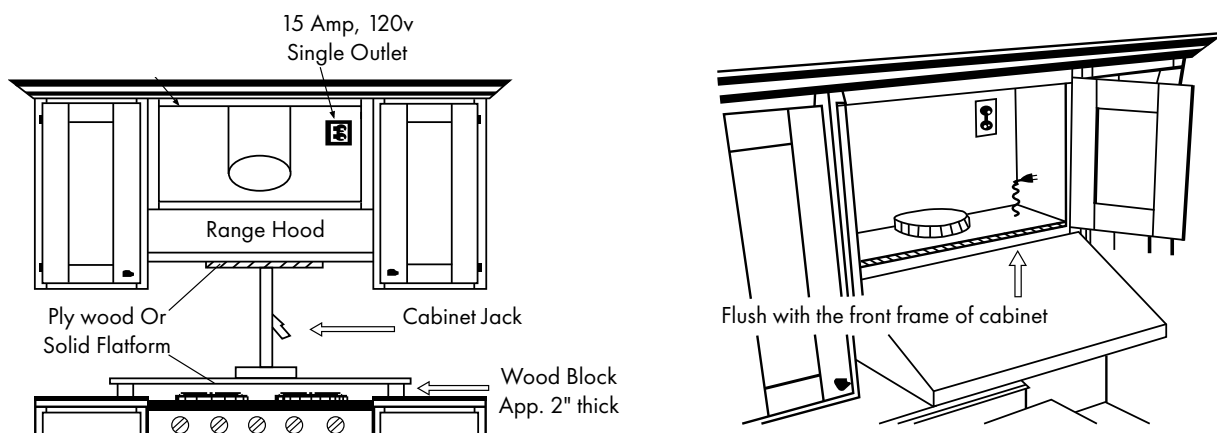
If installing under a cabinet with a recessed bottom, attach 2" wide wood filler strips (not provided) to each side so the hood can be flush with the cabinet.

## STEP 4: CREATE ACCESS



Create or cut an access opening for electrical wire and hood exhaust under the cabinet. For easy installation, cut about 1/4" larger diameter for both ducting and power cord plug.

## STEP 5: ATTACH THE HOOD

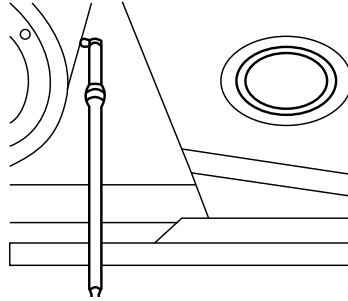


Lift the hood up and place it below the cabinet. Make sure to center the hood beneath the cabinet. Make sure that it is flush with the front of the cabinet.

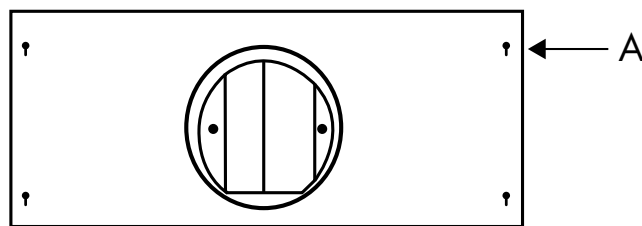
**NOTE:** A cabinet jack is recommended due to the weight of the hood.

# UNDERCABINET MODELS INSTALLATION

## STEP 6: SECURE THE HOOD TO BOTTOM CABINET

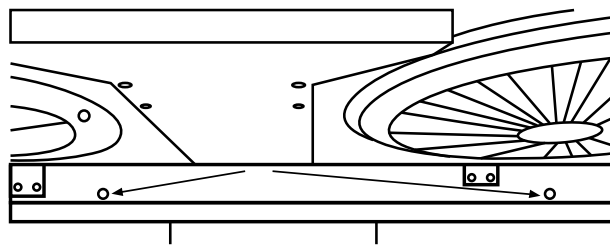


From inside of the hood, using the hex bit extension, place one screw (provided) into each key hole or pre-drilled holes ("A" below) to secure to the cabinet bottom. Make sure there is at least 1 screw at each corner of hood the body.

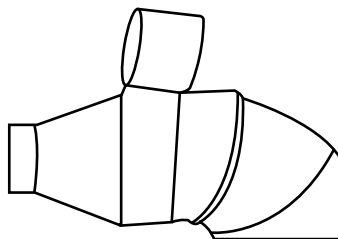


Top view

Use a stud finder to find the stud and use 1/8" drill bit to drill though the back of the hood. Secure the hood by using provided screws though the back of the hood to the stud(s).



## STEP 7: CONNECT ALUMINUM FLEX DUCT AND DUCTWORK

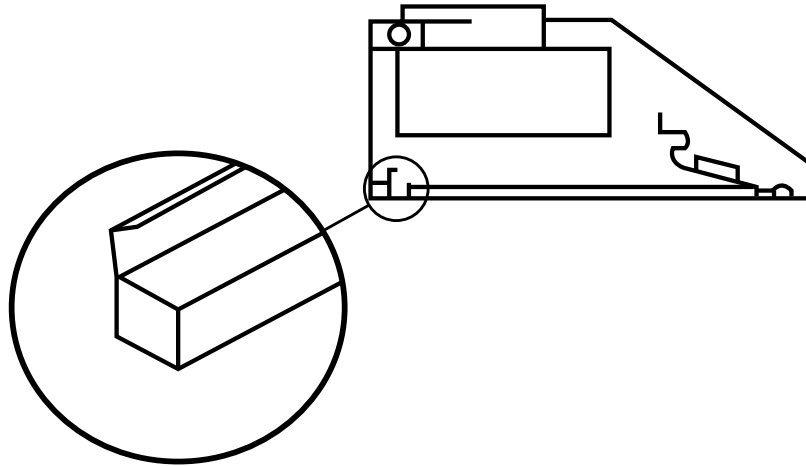


Connect the exhaust on the hood to the ductwork. Wrap with aluminum tape to make all joints are secure and tight.

# UNDERCABINET MODELS INSTALLATION

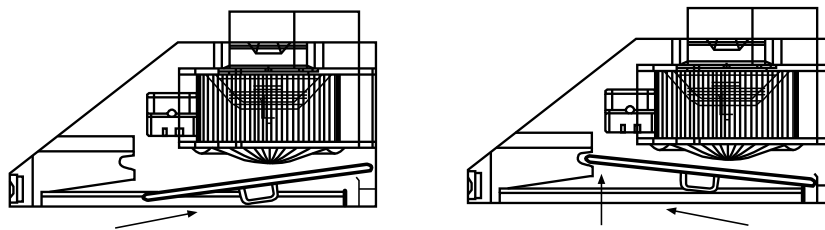
NOTE: The quality of the duct must meet the local law and fire prevention standards.

## STEP 8: INSTALL OIL TUNNEL OR GREASE CUP (NOT AVAILABLE FOR ALL MODELS)



Drop oil tunnel into the recess support near rear of hood. Refer to the image above.

## STEP 9: INSTALL BAFFLE FILTERS



Install baffle filters. Refer to the image above for the following steps.

NOTE: The middle filter has to be installed last, and it should be taken out first when you want to remove other filters.

1. Angle baffle filter toward back of hood.
2. Lift the baffle filter up above horizontal level.
3. Slide forward into slot towards the front of the hood.
4. Slide the installed baffle filter to either left or right until it stops.
5. Repeat steps 1 to 4 to install the next set. Make sure you slide to opposite direction from the previous installed filter.
6. To remove baffle filters, reverse the process.

# UNDERCABINET MODELS OPERATION



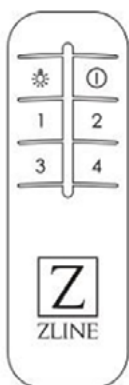
1. Power: Turn ON/OFF the range hood and activate power-off delay timer (3mins).
2. Low Speed: Light frying/boiling.
3. Medium Speed: Frying/wok cooking/heavy boiling.
4. High Speed: Intensive frying and wok cooking.
5. Light: Turn ON/OFF.

Adjusting the blower (motor) speed: Press the power key then press any speed buttons one time. The blower will start at any speed. Press same button again to shut down the blower.

Adjusting the timer function: Turn the hood on at any speed and press the power-off delay button one time. It will enter timer mode and the power-off delay digital timer will begin countdown. Press again and the blower will shut down.



**Never put your hand into area housing the fan while the fan is operating.**



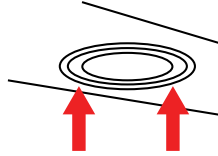
The remote control is a 433M high frequency remote control. The distance of the remote control is 32'. The signal can pass through the wall.

The remote needs to pair with the hood before first use. Press the Lamp key on range hood for 5 seconds. Once the light of the lamp button on the hood flickers, press any button on the remote control. If the LED of lamp button stops flickering, the pairing is done.

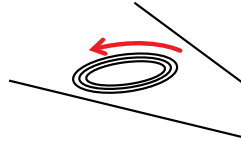
# MAINTENANCE AND CLEANING

## HOW TO CHANGE OR REPLACE LIGHT BULBS (FOR ANY MODEL)

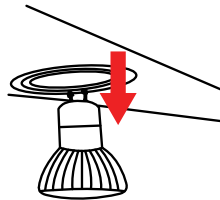
1. Make sure the range hood is unplugged or turn off the circuit breaker.
2. Slightly press inward on the bulb using both thumbs.



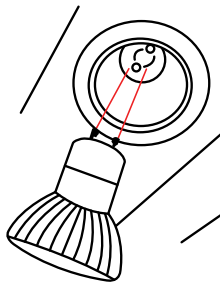
3. Keep your grip and pressure constant on the bulb with your thumbs as you turn the bulb counter-clockwise. Stop pushing it inward once you feel it won't turn further (it should turn about 90 degrees).



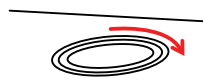
4. Pull the bulb straight out of the socket.



5. Align the new light bulb legs with the two socket base slot holes.



6. Press the new bulb inward into the socket. Press the bulb inward into the same position that you took the old bulb out from. Twist it clockwise as far as it will go and you can turn the lights back on.



# MAINTENANCE AND CLEANING

## CLEANING TIPS

- The saturation of greasy residue in the blower and filters may cause increased inflammability. Keep unit clean and free of grease and residue buildup at all times to prevent possible fires.
- FILTERS MUST BE CLEANED PERIODICALLY AND FREE FROM ACCUMULATION OF COOKING RESIDUE.
- Do NOT operate blowers when filters are removed. Never disassemble parts to clean without proper instructions.
- Disassembly is recommended to be performed by qualified personnel only. Read and understand all instructions and warnings in this manual before proceeding.
- For optimal operation, clean range hood and all baffle/spacer/filter/grease tunnel/oil container regularly. Regular care will help preserve the appearance of the range hood.

## CLEANING EXTERIOR SURFACES

- Clean periodically with stainless steel cleaner or hot soapy water and clean cotton cloth. Do NOT use corrosive or abrasive detergent (e.g. Comet Power Scrub<sup>®</sup>, EZ-Off<sup>®</sup> oven cleaner), or steel wool/scouring pads that will scratch and damage stainless steel. For heavier soil, use liquid degrease such as "Formula 409<sup>®</sup>" or "Fantastic<sup>®</sup>" brand cleaner.
- If hood looks splotchy, use a stainless steel cleaner to clean the surface of the hood. Avoid getting cleaning solution on or into the control panel. Do NOT leave cleaner on too long as this may cause damage to hood finish. Use a soft towel to wipe off the cleaning solution, gently rub off any stubborn spots. Use a dry towel to dry the hood.
- After cleaning, you may use non-abrasive stainless steel polish such as 3M<sup>®</sup> or ZEP<sup>®</sup>, to polish and buff. Always scrub lightly, with clean cotton cloth, and with the grain.
- Do NOT allow deposits to accumulate or remain on the hood.
- Do NOT allow salt solutions, disinfectants, bleaches, or cleaning compounds to remain in contact with stainless steel for extended periods. These compounds contain chemicals that may be harmful. Rinse with water after exposure and wipe dry with a clean cloth.
- Regularly drain oil from oil containers/tunnels before oil and residue overflow occurs.
- Metal baffle filters fitted are intended to filter out residue and grease from cooking. They do not need to be replaced on a regular basis but are required to be kept clean.
- Filters should be cleaned after every 30 hours of use. Remove and clean by hand or dishwasher. Use proper degreasing detergent for stainless steel and leave to soak if heavily soiled. Dry filters and re-install before using hood.

# TROUBLESHOOTING

FAULT	TROUBLESHOOTING
Range hood does not operate after installation	Check if the range hood has been plugged in. Make sure that all power has been turned back on and all electrical wiring is properly connected.
	Swap out light assembly to working ones to determine whether it is caused by defective bulbs. (See "Replacing the Light Bulbs" on page 24 section).
Range hood vibrates when the blower is on	The range hood might not have been secured properly on to the ceiling.
	Check if the blower wheel is damaged.
The blowers seems weak	Check that the duct sized used is at least 6". Range hood WILL NOT function efficiently with insufficient duct size and loosely secured.
	Check if duct is clogged or if damper unit is not opening properly. A tight mesh on a side wall cap unit might also cause restriction to the airflow.
The lights work, but the blower is not spinning at all, is stuck, or is rattling.	The blower might be jammed or scraping the bottom due to shipping damage.
The hood is not venting out properly	Make sure the distance between the cook top and the bottom of the hood is within 30" and 36" in range.
	Reduce the number of elbows and length of duct work. Check if all joints are properly connected, sealed, and taped.
	Make sure the power is on high speed for heavy cooking.
The hood is nosier than normal	The damper was not opened.
	The duct is not secure and causes vibration.
	The smaller duct size than required is being used.

# TROUBLESHOOTING

- Please review this list for common troubleshooting tips before contacting customer service, as this may save you time and money. This list contains frequently encountered problems that are not results of faulty workmanship or material use. Some of these troubleshooting items are specific to certain types of ZLINE range hoods.
- Your product may not have some of the features described here. If a problem cannot be resolved after following the instructions in the manuals, please contact ZLINE Customer Service at 1-614-777-5004. Never attempt to repair or disassemble a faulty range hood yourself. Always consult a professional.

# WARRANTY

## COVERAGE

ZLINE Kitchen and Bath ("ZLINE") range hood parts will be warrantied for three years from the original date of product delivery for the original purchaser of the product.

ZLINE warranty periods begin from the original date of product delivery and solely cover the original purchaser of the product, delivered new and in its original carton. ZLINE will provide free-of-charge, non-consumable replacement parts for the components that failed due to manufacturing defects.

Additionally, range hoods purchased on or after January 2017 carry a lifetime warranty on the motor. It is the responsibility of the customer to install all replacement parts and motors, as ZLINE does not perform service repairs on its range hood products.

ZLINE's liability is limited to the original purchase price of the product. Additional injuries, losses, damages, or other inconveniences caused by product malfunction or defects in materials are not covered under the terms of this warranty.

## TERMS

ZLINE warranties apply only to the original purchaser of a ZLINE product installed for normal residential use. This is defined as a single-family, residential dwelling in a non-commercial setting. Any warranty claim stemming from installation, operation, or any other use within a commercial setting is not covered under this limited warranty. Commercial settings include, but are not limited to: schools, churches, hotels, restaurants, vacation rentals such as Airbnb, daycare centers, private clubs, fire stations, common areas in multi-family dwellings, nursing homes, food service locations, and institutional food service locations such as hospitals or correctional facilities.

This warranty is non-transferable and will not under any circumstance be extended based on the date of installation — the warranty period takes effect from the date of delivery and only covers the original purchaser. The warranty applies only to products installed in the contiguous United States and the District of Columbia.

# WARRANTY

Out-of-pocket payments will not be reimbursed for replacement parts unless prior approval is received from ZLINE. Unapproved out-of-pocket payments for parts will not be reimbursed. Out-of-pockets for any type of service will not be reimbursed, as ZLINE does not perform service repairs on its range hood products. All warranty procedures must be followed to maintain warranty coverage.

If ZLINE is unable to replace the defective part after a reasonable number of attempts, ZLINE reserves the right to offer to replace the product or provide the original purchaser a full refund of the purchase price of the product (not including installation, removal, or other charges that were not included in the original purchase price).

The original purchaser of the product must provide the original proof of purchase, including the purchase date, when filing a claim to obtain replacement parts or refunds. Additionally, the original purchaser of the product must provide the serial number of the product when filing a claim to obtain replacement parts or refunds.

This warranty shall not apply to any ZLINE product in which the original factory serial number has been removed, altered, or cannot be readily determined for any reason. Further, ZLINE is not responsible for damage resulting from, but not limited to: shipment, delivery, or improper installation; negligence or improper maintenance, misuse, or abuse of the product; unauthorized alteration, modification, or tampering with the product; accident, fire, floods, pest infestations, pandemics, natural disasters, or any other unpreventable or unexplained acts of nature, commonly referred to as "acts of God"; flare-up fires or damages caused by improper electric supply, electrical line current, voltage, or power surges; and service to correct installation not in accordance with the instructions contained in ZLINE's product manuals and/or with local government codes.

Additionally, this range hood warranty does not apply to aesthetic damage, scratches, or natural wear caused by normal use; second-hand, open box products, or products purchased from an unauthorized retailer; consumable parts including, but not limited to, metal and charcoal filters; and damages, problems, or any type of performance-related issues stemming from alteration or tampering with the range hood, including, but not limited to, painting stainless steel, black stainless, DuraSnow®, or designer- or wood-finished range hoods, and cutting the 3-prong plug to manually hardwire the hood.

# WARRANTY

Information contained within ZLINE's installation and user manuals, in addition to product information included on ZLINE's website and all related digital listings, do not cover every possible condition and situation that may occur during the installation or operation of ZLINE products.

ZLINE reserves the right to make changes at any time to its products when considered safe, necessary, and useful. Always check the ZLINE website for the most up-to-date version of its product manuals: [www.zlinekitchen.com/pages/manuals](http://www.zlinekitchen.com/pages/manuals).

Do not install or operate any ZLINE product if it has missing or broken parts or if it arrives damaged due to shipping. If ZLINE products arrive damaged, contact ZLINE Customer Experience at 1-614-777-5004 for help. Failure to report a damaged appliance prior to installation or operation may void the warranty. ZLINE does not perform service repairs on its range hood products.

ZLINE disclaims responsibility for damage or injury caused by improper installation or use of any of its products. ZLINE is under no obligation, by law or otherwise, to provide concessions, including repairs, prorates, rebates, discounts, or replacements, once the warranty has expired.

## SERIAL NUMBER LOCATION

The rating tag shows the model and serial number of your range hood. Please write down the model number and serial number of your appliance. The serial number is located behind the baffle filters near the motor. Both are needed to obtain warranty service. Do not remove permanently affixed labels, warnings, or plates from the product. This will void the warranty. You may also consider attaching your receipt or proof of purchase to this manual.

# WARRANTY

## CUSTOMER SERVICE AND PARTS INFORMATION



Please contact ZLINE Customer Service for questions and troubleshooting help at 1-614-777-5004 or visit [www.zlinekitchen.com/contact](http://www.zlinekitchen.com/contact) to utilize our online Customer Experience Portal.



Scan the QR code to view the most up-to-date version of ZLINE's range hood Installation and User Manuals.



Need to purchase a part or accessory for your ZLINE product? Visit [www.zlineparts.com](http://www.zlineparts.com), ZLINE's official parts distribution partner.

2.1.1

1-614-777-5004

[www.zlinekitchen.com](http://www.zlinekitchen.com)

[contact@zlinekitchen.com](mailto:contact@zlinekitchen.com)

**ZLINE**  
ATTAINABLE LUXURY®