



**Product:** 36-Inch Contemporary Professional Gas Range in White  
**Model Number:** ARG36W/ARG36WLP

### TECHNICAL DETAILS

Fuel Type	Natural Gas (ARG36W) Liquid Propane (ARG36WLP)
Installation Type	Freestanding
Color	White
Amperage	15A
Volts	120V
Frequency	60Hz
Gas Line Regulator	1/2"
Control Type	Oven Function Button, LED Panel Display
Plug Type	3 Prongs Included
Cord Length	60"

### PRODUCT DIMENSIONS

Product Width	35-7/8"
Product Height (from bottom to top of back splash)	37-1/4" - 40-1/4"
Product Height (from bottom to top of side panel)	36" - 39"
Product Depth (from back panel to bullnose)	26-7/8"
Product Depth (from back panel to control board)	26-1/4"
Product Depth (from back panel to side panel front)	24"
Adjustable Leg Sizes	3" Max
Packaging Dimensions (WxDxH)	36" x 24" x 36"
Net weight	195 lbs
Gross weight	250 lbs

### FEATURES & BENEFITS

- Six Sealed Burners:** From a high-powered 18,000 BTU burner to a steady 9,000 BTU burner, this range gives you the power you need for large family meals.
- Large Oven Capacity:** 6.0 cu. ft. oven capacity can accommodate multiple dishes for enhanced cooking.
- One-Piece Porcelain Spill Tray:** One-piece porcelain spill tray on cooktop catches the mess and makes cleanup easy.
- LED Display Screen:** LED display screen, oven function button operation.
- Convection Fan:** Convection fan provides controlled heat distribution for fast and efficient cooking.

### OVEN PERFORMANCE

Oven Capacity	6.0 cu. ft.
Oven Color	Black
Oven Features	Bake, Broil, Conv Bake/Roast, Pizza, Keep Warm
Bake Burner Power	18,500 BTU
Broil Burner Power	13,500 BTU
Convection	Convection Fan
Oven Light	1*40W, Rear
Oven Racks	2
Oven Rack Material	Chrome Plated
Baking Sheet Size	Fits up to 28" x 14" Sheet
Oven Internal Height	18"
Oven Internal Width	29.7"
Oven Internal Depth	19.4"

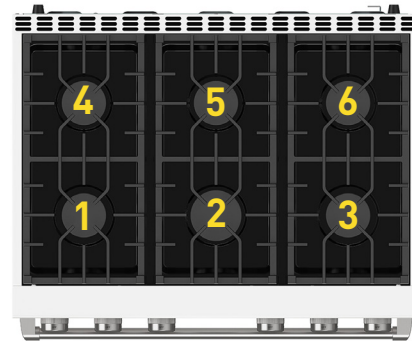


Specifications subject to change without notice.



### COOKTOP PERFORMANCE

Total Burners	6
[1] Front Left Burner	12,000 BTU
[2] Front Center Burner	18,000 BTU
[3] Front Right Burner	12,000 BTU
[4] Rear Left Burner	9,000 BTU
[5] Rear Center Burner	12,000 BTU
[6] Rear Right Burner	9,000 BTU

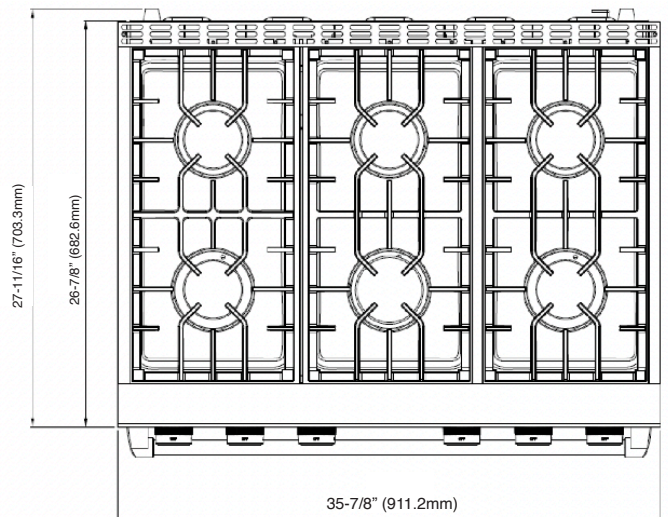
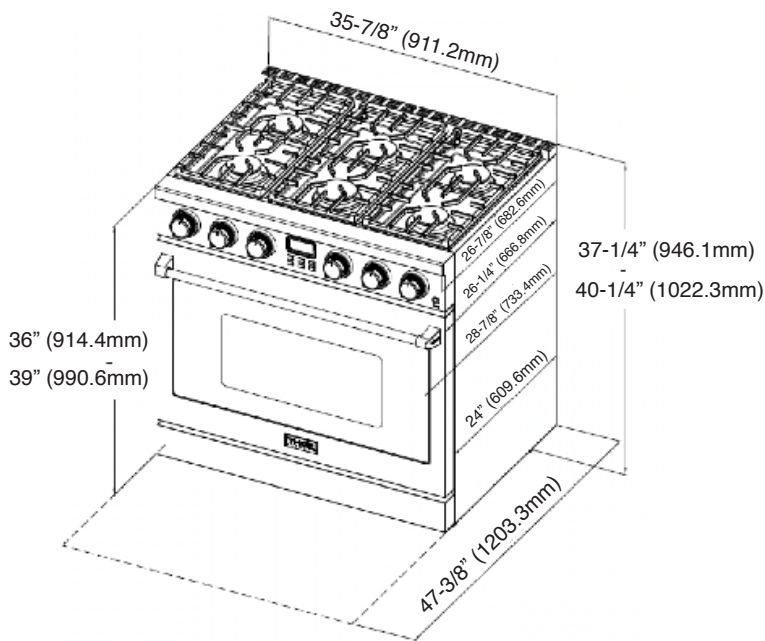


### ACCESSORIES

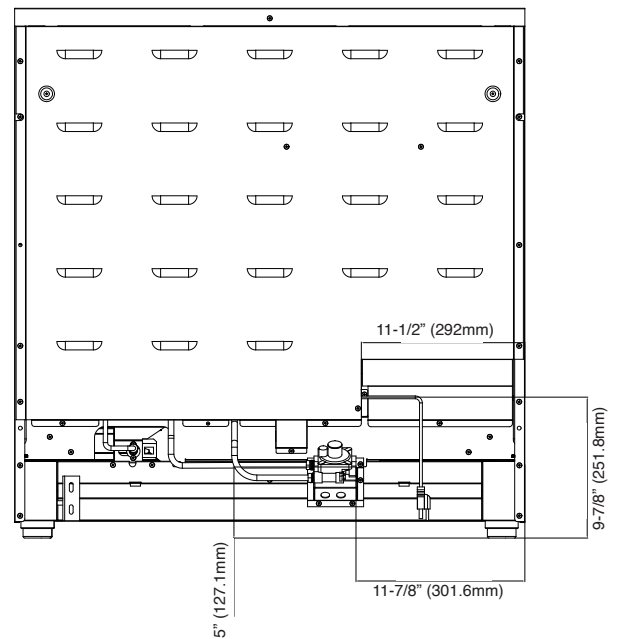
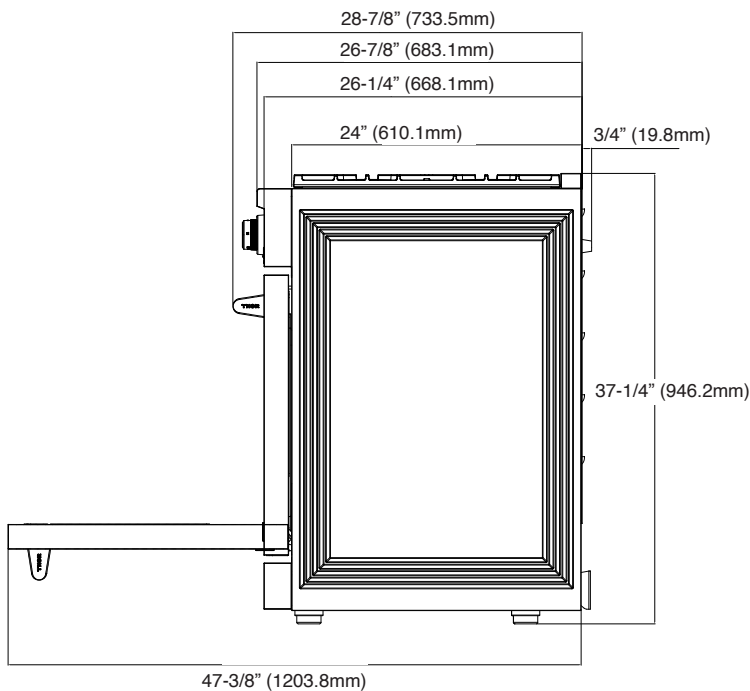
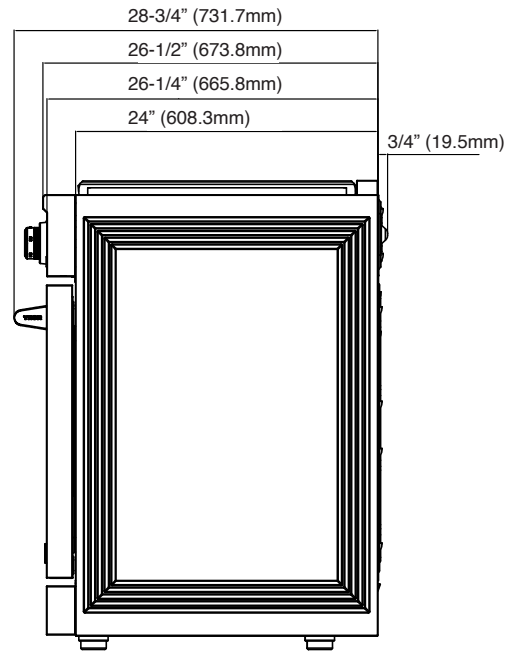
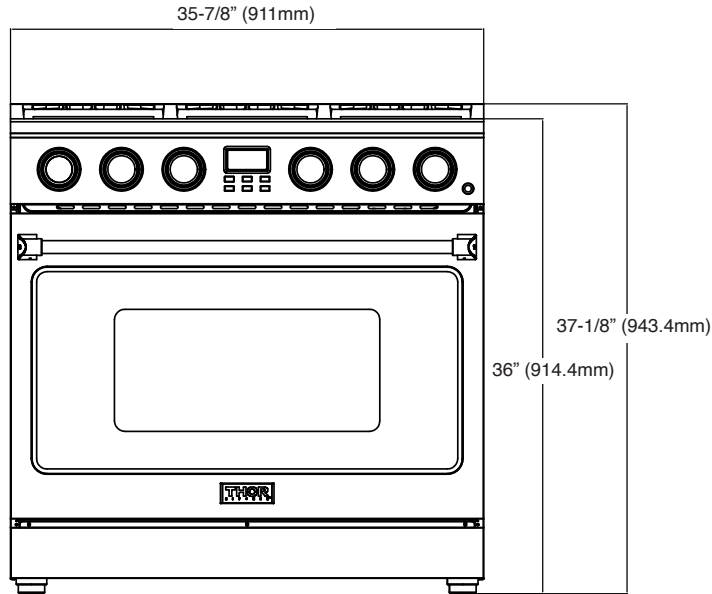
2 Oven Racks
1 Broiler Pan
1 Bake Pan

### ACCESSORIES (NOT INCLUDED)

LP Kit Includes Orifices And Gas Regulator Caps



Specifications subject to change without notice.



Specifications subject to change without notice.

REV/042026