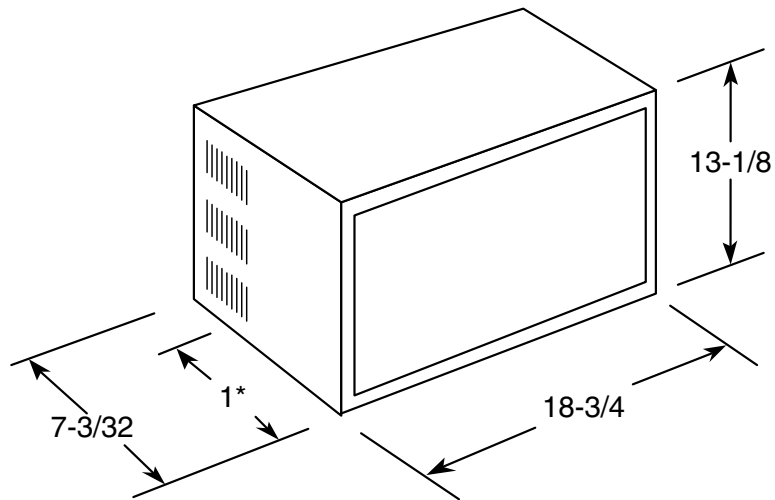




GE Appliances

ASC05LA - GE Value 115 Volt "Carry Cool" Portable Room Air Conditioner

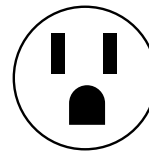
Wall Case Dimensions (in inches)



*Distance from front of case to side louvers (excluding grille).

Note: When installing units in through-the-wall applications, keep louvers free. Do not restrict air flow areas. Carry-Cool® units are not designed for through-the-wall applications.

Parallel



115V
15 Amp

Wall Outlets: All wiring including installation of receptacle must be made in accordance with local electrical codes and regulations. Electrical outlet should be in reach of line cord.

Note: Aluminum wiring may pose special problems—consult a qualified electrician.

Specification Created 2/00



Total capacity and E.E.R. ratings are calculated based on the Association of Home Appliance Manufacturers' standards.

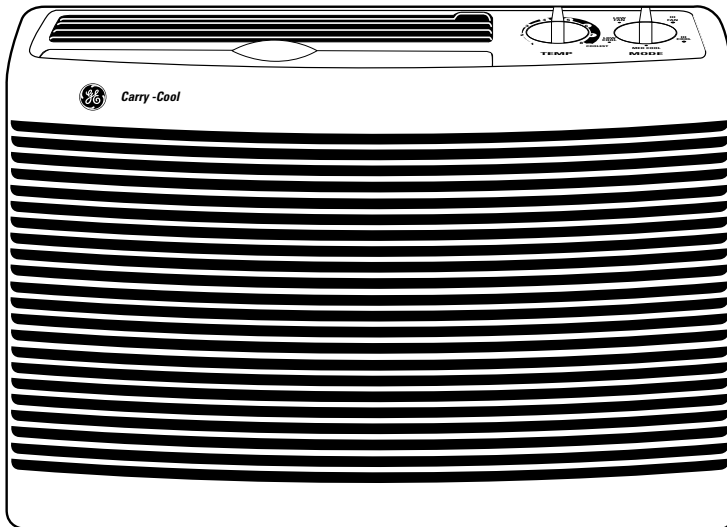


Listed by Underwriters Laboratories



GE Appliances

ASC05LA - GE Value 115 Volt "Carry Cool" Portable Room Air Conditioner



Features and Benefits

- 5,000 BTUH, 8.5 EER, 115 Volts
- 590 Watts / 5.5 Amps
- 1.5 Dehumidification (pts / hr)
- 8-Position Thermostat
- 3 Cooling / 2 Fan Speeds
- 140 CFM (High)
- EZ Mount Window Installation
- Plastic Portable Chassis
- Slide-Out Filter for Easy Cleaning
- Plug Type - Parallel
- Model ASC05LA - Contemporary white