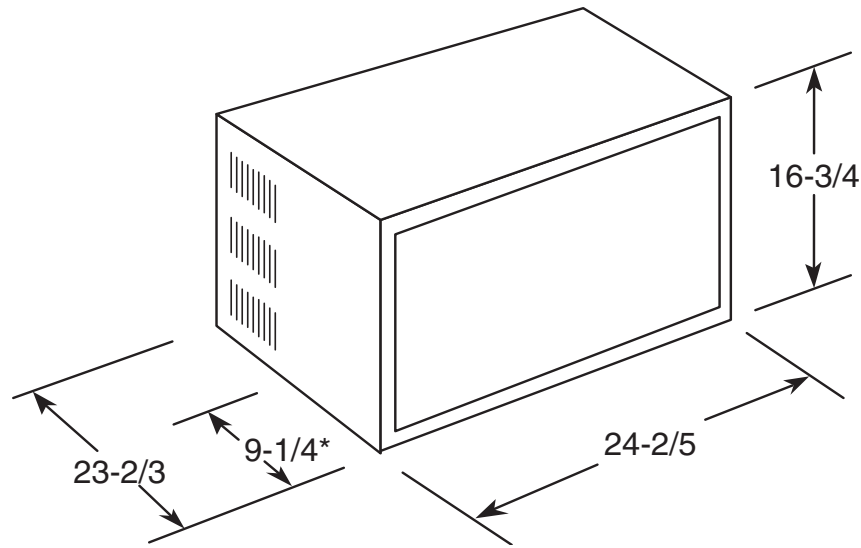




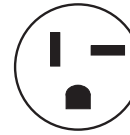
GE Appliances

## ASM24DE – GE ENERGY STAR® Electronic Deluxe 230 Volt Room Air Conditioner

### Wall Case Dimensions (in inches)



\*Distance from front of case to side louvers (excluding grille).



Perpendicular  
230/208V  
20 Amp

**Note:** When installing slide-out chassis units in through-the-wall applications, keep louvers free. Do not restrict air flow areas. Fixed chassis units are not suitable for through-the-wall applications.

**Wall Outlets:** All wiring including installation of receptacle must be made in accordance with local electrical codes and regulations. Electrical outlet should be in reach of line cord.

**Note:** Aluminum wiring may pose special problems – consult a qualified electrician.

**Warranty:** One-Year Full Warranty on entire unit. In-home service. Parts and labor included. Five-Year Full Warranty on sealed refrigerating system. In-home service. Parts and labor included. See written warranty for details.



Listed by  
Underwriters  
Laboratories



Total capacity and E.E.R.  
ratings are calculated  
based on the Association  
of Home Appliance  
Manufacturers' standards.



As an ENERGY STAR®  
partner, GE has determined  
that this product meets the  
ENERGY STAR guidelines  
for energy efficiency.

For answers to your Monogram®, GE Profile™ or  
GE® appliance questions, visit our website at  
GEAppliances.com or call  
GE Answer Center® service, 800.626.2000.

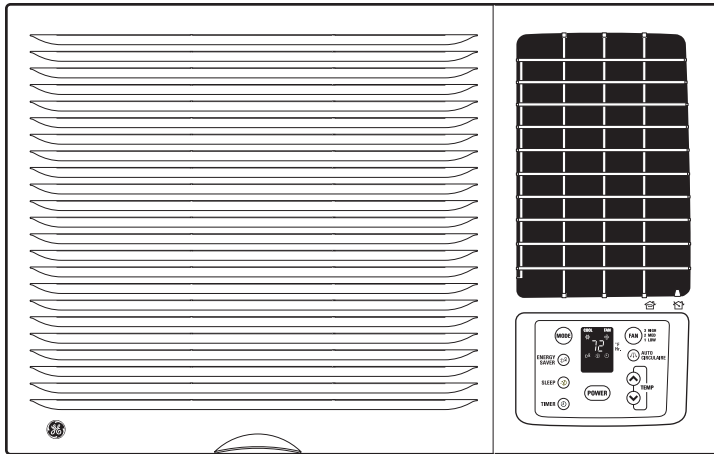
Specification Created 6/04

390481



**GE Appliances**

## **ASM24DE – GE ENERGY STAR® Electronic Deluxe 230 Volt Room Air Conditioner**



### **Features and Benefits**

- ENERGY STAR® qualified
- Circulaire™-Oscillating Louvers for Enhanced Air Circulation
- 7.2 Dehumidification (pints/hr)
- 23,700/23,100 BTUH (Cooling)
- 3 Cooling/2 Fan Only Speeds
- Electronic Thermostat
- 9.4/9.4 E.E.R.
- 230/208V Model
- Model ASM24DE



As an ENERGY STAR® partner, GE has determined that this product meets the ENERGY STAR guidelines for energy efficiency.