

**Series 6, French Door Bottom Mount Refrigerator, 36", Stainless Steel B22CT80SNS**



**This 72" Counter-depth French Door Refrigerator Installs Nearly Flush in All Major Cutouts and Features LED Lighting for Easier Viewing.**

- **LED Lighting:** keep your groceries in perfect view.
- **True Counter-Depth:** sits flush with the countertop with hidden hinges.
- **Wide Gallon Door Bins:** provide extra storage for gallon sized containers on both doors.
- **Evenly circulate cool, fresh air to maintain consistent temperatures with MultiAirFlow™**

---

UPC code: ..... 825225908937  
 Color: ..... Stainless Steel  
 Panel Ready: ..... Not Possible  
 Watts: ..... 817 W  
 Fuse protection: ..... 15 A  
 Volts: ..... 120 V  
 Frequency: ..... 60 Hz  
 Total annual energy consumption: ..... 633.3 kWh/annum  
 ENERGY STAR®: ..... No  
 Power Cord Length: ..... 62"  
 Plug Type: ..... 120V-3 prong  
 Required Cutout Size (HxWxD) (in): ..... 72" x 36" x 24 5/8"  
 Product Packaging Dimensions (HxWxD): ..... 78.73 x 39.36 x 31.49  
 Total Unit Gross Capacity - AHAM: ..... 21.8 Cu Ft  
 Refrigerator Gross Capacity: ..... 16.3 Cu Ft  
 Freezer Gross Capacity: ..... 5.5 Cu Ft  
 Net Weight: ..... 325.000 lbs  
 Gross Weight: ..... 361.000 lbs

---



BORPLFTR20 Water filter

**Series 6, French Door Bottom Mount  
Refrigerator, 36", Stainless Steel  
B22CT80SNS**

**This 72" Counter-depth French Door  
Refrigerator Installs Nearly Flush in All  
Major Cutouts and Features LED Lighting  
for Easier Viewing.**

---

**Design**

- Hidden Hinges
- Full-Width Glass Shelves With Metal Trim

**Performance**

- Electronic Controls for Precise Temperature Management
- Holiday Mode
- Deli Drawer
- Crisper Drawer

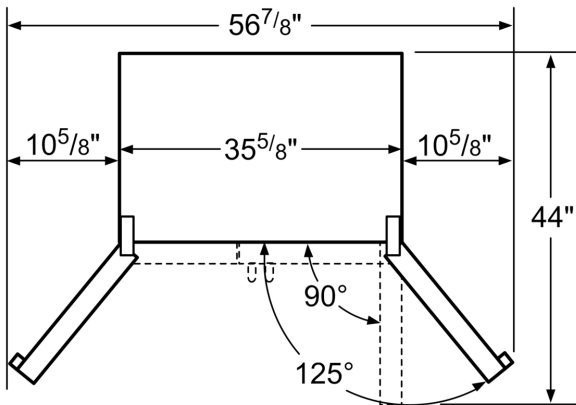
**Convenience**

- Door Open Alarm
- Automatic Ice Maker

**Capacity**

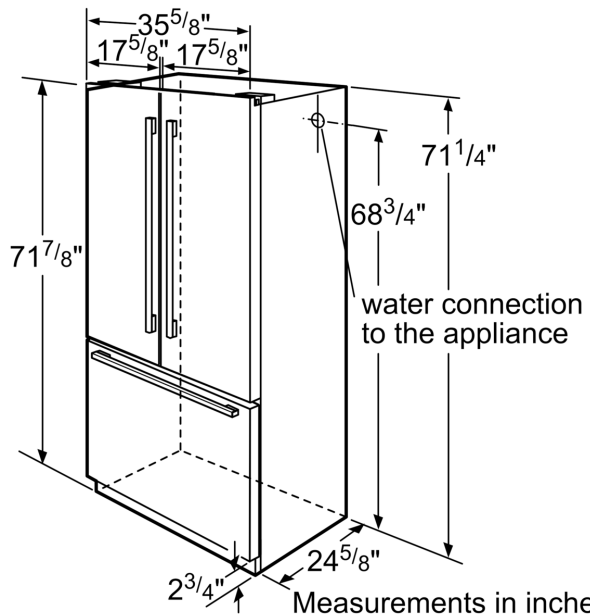
- 21.8 cu ft Total Capacity
- 16.3 cu ft Refrigerator Capacity
- 5.5 cu ft Freezer Capacity
- Gallon Door Bins
- Full Length Cantilever Racks for Ultimate Flexibility

**Series 6, French Door Bottom Mount Refrigerator, 36", Stainless Steel B22CT80SNS**

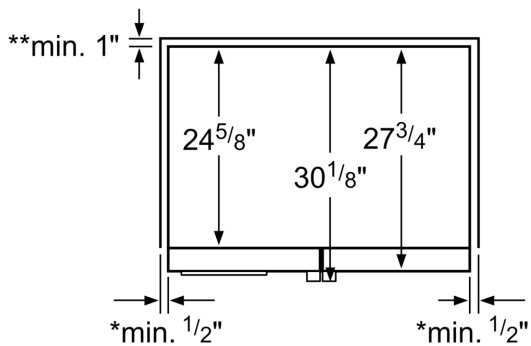


Drawers can be pulled out with door open 90°.  
Drawers can be taken out with door completely open.

measurements in inches

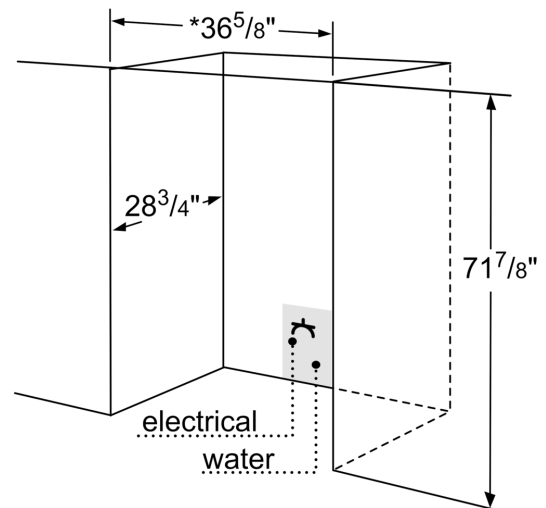


Measurements in inches



- \*\*min. 1"
- \* min. 1/2", 2 1/2" on either side if next to wall.
- \* If the appliance is placed next to a range, the lateral distance must be at least min. 1".
- \*\* The rear clearance must include space for the water connection.

measurements in inches



- \* If fixed wall/alcove, add 4" to this width (2.5" total space on each side for doors).

Measurements in inches