

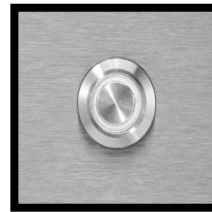
# Model No. C3C30

30" C-Series Built-In Gas Grill

**COYOTE<sup>3</sup>**  
Outdoor Living

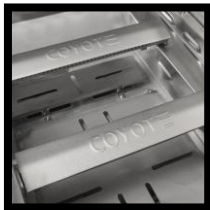


## Exterior



## FEATURES

- Analog Temp Gauge
- Interior Light Switch
- Newly Handle & End Cap
- Newl Knob & Bezel (no Light)
- 304 SS Construction
- Double Walled Hood
- Smudge Proof Control Panel



## FEATURES

- Halogen Lighting
- 15K Btu I-Burners
- 304ss Rolled Grates
- Newly Designed Heat Control Grids
- Flame Thrower Ignition
- Integrated Wind Guard

## ACCESSORIES

- Heat Zone Separators (C3HZSC30)
- Rotisserie Kit (CROT30)
- Ceramic Briquettes (C3BRIQ30)
- Charcoal Tray (C3C30CHTR)
- Insulated Jacket (C3JAKTCSL30)
- Cover (C3-CCVR30-BIG)
- Color Knob Inserts: CKNOBBK, CKNOBY, CKNOBSS, CKNOBR, CKNOBC

## DIMENSIONS

- Overall: 23" H x 28" W x 25.5" D
- Cutout: 10.25" H x 25" W x 20.5" D

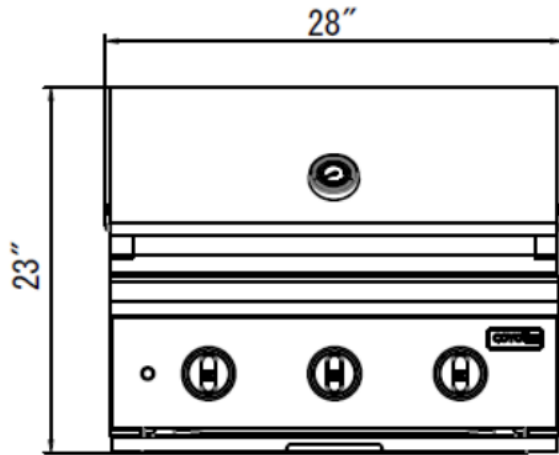


## Interior

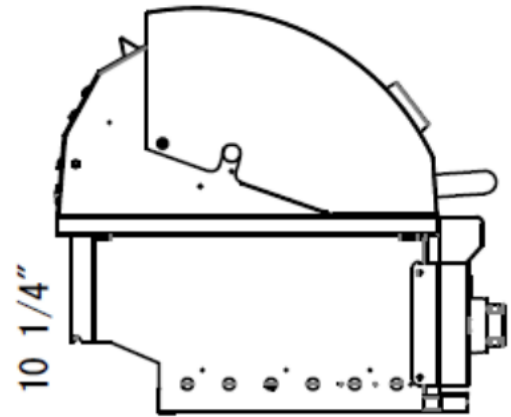
# Model No. C3C30

30" C-Series Built-In Gas Grill

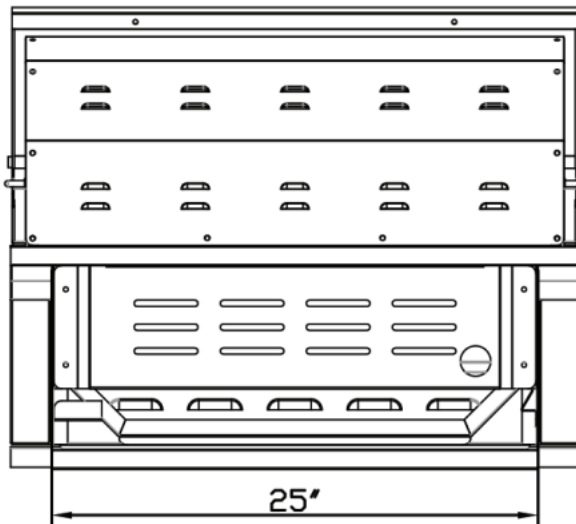
## DIMENSIONAL RENDERINGS



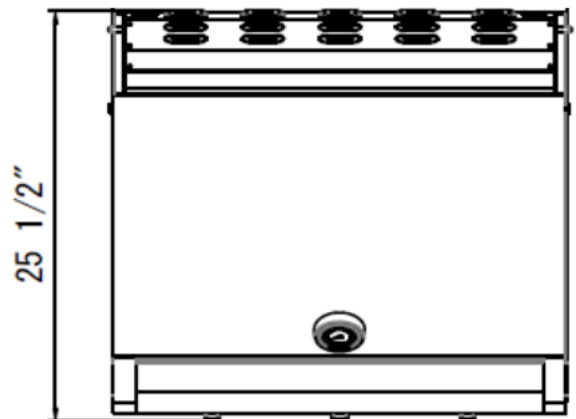
FRONT VIEW



SIDE VIEW



REAR VIEW



TOP VIEW

Overall Product Dimensions			
Model No.	Height	Width	Depth
C3C30	23"	28"	25.5"

Cutout Product Dimensions			
Model No.	Height	Width	Depth
C3C30	10.25"	25"	20.5"

Model No.	Gas Supply	BTU's	Regulator	WC Pressure	Max PSI	Electrical Requirements
C3C30LP	Propane	45,000	20 lb Tank Regulator	11"	0.5 PSI	1 Qty - 120 VAC60 Hz Grounded Plug
C3C30NG	Natural Gas	45,000	0.5" Female Pipe	4"	0.5 PSI	1 Qty - 120 VAC60 Hz Grounded Plug