

Operating Instructions Countertop Coffee Machine



To prevent accidents and machine damage, you **must** read these instructions before installation or use.

Caring for the environment


Packaging material

The packaging material used protects the coffee machine during transportation.

Please keep the original box so that you can pack the appliance securely, should you need to transport it in the future.

Saving energy

The following tips can help you save energy and money as well as help the environment:



- Operate the coffee machine in “Eco mode” (default setting).
- Reduce the brightness of the display.
- Change the factory default setting for the “Switch off after” timer to 15 minutes. Then the coffee machine will switch off 15 minutes after the last drink has been made or a sensor button has been touched. If you increase the factory default setting for the “Switch off after” timer, the energy consumption of the coffee machine will increase.
- Some changes to the factory default settings may increase the energy consumption of the coffee machine. Pay particular attention to the following message in the display: This setting uses more energy.
- Switch the coffee machine off with the On/Off  sensor button when it is not in use.

Disposal of your old appliance

Electrical and electronic appliances contain valuable materials. They also contain certain substances, compounds and components which were essential for the proper functioning and safe use of the equipment. Handling these materials improperly by disposing of them in your household waste can be harmful to your health and the environment. Therefore, please do not dispose of your old appliance with regular household waste and follow local regulations on proper disposal.



Consult with local authorities, dealers or Miele in order to dispose of and recycle electrical and electronic appliances. Miele assumes no responsibility for deleting any personal data left on the appliance being disposed. Please ensure that your old appliance is kept away from children until removal. Observe safety requirements for appliances that may tip over or pose an entrapment hazard.

Caring for the environment	2	Grinder setting	32
Saving energy	2	Identifying the ideal grinder setting.	32
IMPORTANT SAFETY INSTRUCTIONS	5	Adjusting the grinder setting	32
Machine description	15	Amount of coffee, brew temperature, and pre-brewing	33
Controls and indicators	16	Amount of coffee.....	33
Accessories	17	Brewing temperature for coffee drinks.....	33
Included accessories	17	Pre-brewing ground coffee	33
Operation	18	Portion size	34
Electrical connection	19	Profiles	36
Appliance dimensions	20	Profiles	36
Installation	21	Creating a profile	36
Initial commissioning	22	Changing drinks within a profile.....	36
Completing the commissioning process.....	22	Making a drink from a profile	36
Filling the water tank	23	Changing the name.....	36
Filling the coffee bean container ..	24	Deleting the profile	37
Switching on and off	25	Setting when the profile should change (Change profile)	37
Switching the coffee machine off ...	25	Settings	38
Preparing for an extended period of inactivity.....	25	Displaying and changing Settings....	38
Adjusting the coffee dispensers to the cup height	26	Language	38
Preparing beverages	27	Timer: switch off after	38
Coffee.....	27	Eco Mode	38
Coffee drinks in detail	27	Info (display information)	38
Milk and milk alternatives	27	System lock 	38
Using milk from milk cartons or other suitable containers	28	Water hardness	38
Making a coffee drink.....	29	Display brightness.....	39
Canceling a drink.....	29	Volume.....	39
2 portions ( sensor button)....	29	Factory default settings.....	39
Coffee Pot.....	29	Demo mode (stores and show-rooms).....	39
Making coffee with ground coffee	30	Cleaning and care	41
Dispensing hot water (CM 5410, CM 5510, CM 5710).....	31	Overview of cleaning intervals	41
		Clean by hand or in dishwasher	42
		Unsuitable cleaning agents	43
		Cleaning the drip tray, grounds container, and drip tray cover.....	43
		Cleaning the water container	44
		Cleaning the water container filter ..	44
		Cleaning the central spout.....	45

Contents

Cleaning the milk pipework.....	46
Cleaning the bean container and ground coffee chute	47
Cleaning the casing.....	47
Opening the Maintenance menu	47
Rinsing the appliance.....	47
Rinsing the milk pipework	48
Degreasing the brew unit	49
Descaling the appliance	51
Lubricating the brew unit.....	53
Frequently asked questions.....	54
Messages in the display	54
Unusual performance of the coffee system.....	57
Unsatisfactory results.....	63
Service and warranty.....	65
Contact in the event of a fault	65
Appliance warranty and product registration	65
Transport.....	65
Evaporating the coffee machine	65
Packing the coffee machine se- curely	66
Technical data	67

IMPORTANT SAFETY INSTRUCTIONS

This coffee machine complies with all current safety requirements. Inappropriate use can, however, lead to personal injury and material damage.

Read the operating instructions carefully before using the coffee machine. They contain important information on the installation, safety, use and maintenance of the appliance. This prevents both personal injury and damage to the coffee machine.

Miele strongly advises you to read and follow the instructions in the chapter on installing and connecting the coffee machine as well as the IMPORTANT SAFETY INSTRUCTIONS.

Miele cannot be held liable for injury or damage caused by non-compliance with these instructions.

Keep these operating instructions in a safe place and pass them on to any future owner.

IMPORTANT SAFETY INSTRUCTIONS

Intended use

- ▶ This coffee machine is intended for household use.
- ▶ Do not use the coffee machine outdoors.
- ▶ This coffee machine must not be used at altitudes above 6560 ft (2000 m).
- ▶ The machine is intended only for the preparation of coffee-based drinks such as espresso, cappuccino, latte macchiato etc. Any other usage is not supported.
- ▶ Persons who lack physical, sensory or mental abilities or experience with the machine should not use it without supervision or instruction by a responsible person.

IMPORTANT SAFETY INSTRUCTIONS

Safety with children

 Danger of burning and scalding at the dispensers.

Children's skin is far more sensitive to high temperatures than that of adults.

Ensure children do not touch hot surfaces of the coffee machine or place parts of their body under the dispensers.

- ▶ Keep the coffee system out of reach of children.
- ▶ Keep children away from the coffee machine and the power cord.
- ▶ Children must be aware of the potential dangers caused by incorrect operation.
- ▶ Children should be supervised when they are near the coffee system. Do not allow them to play with it or to use the controls.
- ▶ Children must not be allowed to clean the coffee machine unsupervised.
- ▶ Remember that coffee and espresso are not suitable drinks for children.
- ▶ Danger of suffocation. While playing, children may become entangled in packaging material (such as plastic wrapping) or pull the packaging material over their head, presenting the risk of suffocation. Keep packaging material away from children.

IMPORTANT SAFETY INSTRUCTIONS

Technical safety

▶ Before installing the coffee system, check for externally visible damage. If the coffee system is damaged, it may pose a safety hazard and must not be used under any circumstances.

▶ Before connecting the coffee system, check the voltage and frequency indicated on the data plate against the voltage and frequency of the household electrical supply.

This data must correspond in order to prevent damage to the coffee system. If in doubt, consult a qualified electrician.

▶ Be certain your appliance is properly installed and grounded by a qualified technician. To guarantee the electrical safety of this appliance, continuity must exist between the appliance and an effective grounding system. It is imperative that this basic safety requirement be met. If there is any doubt, have the electrical system of the house checked by a qualified electrician.

▶ Temporary or permanent operation on an autonomous power supply system or a power supply system that is not synchronized with the grid power supply (e.g., island networks, back-up systems) is possible. A prerequisite for operation is that the power supply system complies with national and local codes.

The function and operation of the protective measures provided in the domestic electrical installation and in this Miele product must also be maintained in isolated operation or in operation that is not synchronized with the grid power supply, or these measures must be replaced by equivalent measures in the installation.

▶ Do not connect the machine to the electrical supply using an extension cord or power bar.

▶ The coffee machine may not be used in mobile installations such as ships.

▶ Unplug the coffee machine from the power supply immediately if you notice any damage or smell burning.

▶ Do not operate any appliance with a damaged cord or plug or after the appliance malfunctions, or has been damaged in any manner. Return appliance to the nearest authorized service facility for examination, repair or adjustment.

▶ Ensure that the power cord will not be pinched or damaged by any sharp edges.

▶ The power cord should not hang down. Someone could trip over it with the risk of injury and the appliance could be damaged.

IMPORTANT SAFETY INSTRUCTIONS


- ▶ Do not let cord hang over edge of table or counter, or touch hot surfaces.
- ▶ Do not place on or near a hot gas or electric burner, or in a heated oven.
- ▶ Only use the coffee system in rooms where the ambient temperature is between +60°F (10°C) and +100°F (38°C).
- ▶ Position the coffee machine at a height of at least 34" (850 mm) from the floor.
- ▶ Danger of overheating. Please ensure that there is adequate ventilation around the coffee machine. Do not cover the coffee machine with dish towels, etc. while it is in use.
- ▶ If the coffee machine is installed behind a closed cabinet front, it may only be used with the cabinet door open (see "Installation" for the minimum niche size). Heat and moisture can build up behind the cabinet front when closed. This can result in damage to the machine and/or cabinetry. Do not close the cabinet door while the coffee machine is in use. Leave the cabinet door open until the coffee machine has cooled down completely.
- ▶ Protect the coffee system from water and water spray. Do not immerse the appliance in water.
- ▶ Repairs and other work by unqualified persons to the appliance and the power cord could be dangerous. The manufacturer cannot be held liable for unauthorized work. Repairs may only be carried out by a Miele-authorized service technician.
- ▶ The manufacturer's warranty may be invalidated if the appliance is not repaired by a Miele approved service technician from Technical Service.
- ▶ For repairs, the coffee system must be disconnected from the electrical power supply.
The coffee system is only disconnected from the power supply if
 - The power cord has been unplugged.
Unplug the cord by pulling on the plug, not on the cord.
 - The fuses to the household power supply are turned off.
 - Any screw-in fuses in the household supply are fully unscrewed.
- ▶ Never open the outer casing of the machine. Tampering with electrical connections or components and mechanical parts is highly dangerous to the user and can cause operational faults or electric shock.

IMPORTANT SAFETY INSTRUCTIONS

- ▶ To protect against fire, electric shock and injury to persons do not immerse cord, plugs, or coffee machine in water or other liquid.
- ▶ Disconnect the coffee system from the power supply if it is not going to be used for some time.
- ▶ Only use genuine Miele accessories. If other parts are used, warranty, performance, and/or product liability claims may be invalidated.

IMPORTANT SAFETY INSTRUCTIONS

Proper use

 Danger of burning and scalding at the dispensers.

The liquids and steam dispensed are very hot.

Keep away from the area underneath the dispensers when hot liquids and steam are being dispensed.

Do not touch hot components.

Hot liquid or steam could spatter from the spouts. Ensure that the central spout is clean and installed correctly.

Water in the drip tray can also be very hot. Take care when emptying it.

▶ Please note the following regarding water:

- The water quality must conform to the requirements for drinking water in the country in which the coffee machine is being used.
- Only use cold, fresh tap water to fill the water container. Hot or warm water or other liquids can damage the coffee machine.
- Change the water every day to prevent a build-up of bacteria.
- Do not use sparkling water.

▶ Only fill the bean container with roasted espresso or coffee beans. Do not fill the bean container with coffee beans that have been treated with additives or with ground coffee.

▶ Do not pour liquids into the bean container.

▶ Do not use green (unroasted) coffee beans or mixtures of coffee beans which contain green coffee beans. Green coffee beans are very hard and still contain residual moisture. These can damage the coffee machine grinder as soon as grinding begins.

▶ Do not use oily beans or beans that have been treated with caramel, sugar, or other substances. Sugar and oil will damage the coffee system.

▶ Only fill the coffee chute with ground coffee beans.

▶ Do not use any flavored ground coffee. The sugar in the coffee will stick to and block the brew unit of the coffee system. The cleaning tablets for degreasing the brew unit will not remove this type of deposit.

▶ Only use plain milk. Most sugary additives can clog the milk lines and damage the machine.

IMPORTANT SAFETY INSTRUCTIONS

- ▶ If using dairy milk make sure that it has been pasteurized.
- ▶ Do not place flaming alcohol mixtures underneath the central spout. The flames could ignite plastic components and cause them to melt.
- ▶ Do not use open flames, such as a candle, on or near the coffee machine. The coffee machine could catch fire with the risk of the fire spreading.
- ▶ Do not use the coffee system to clean objects.
- ▶ Make sure that the coffee machine does not come into contact with hand sanitizer or sunscreen, as this will damage the surfaces.

IMPORTANT SAFETY INSTRUCTIONS

Accessories and parts

- ▶ Miele can only guarantee the safety of the appliance when genuine Miele replacement parts are used. Faulty components should only be replaced by genuine Miele replacement parts.
- ▶ Only use genuine Miele accessories. If other parts are used, warranty, performance, and/or product liability claims may be invalidated.

IMPORTANT SAFETY INSTRUCTIONS

Cleaning and care

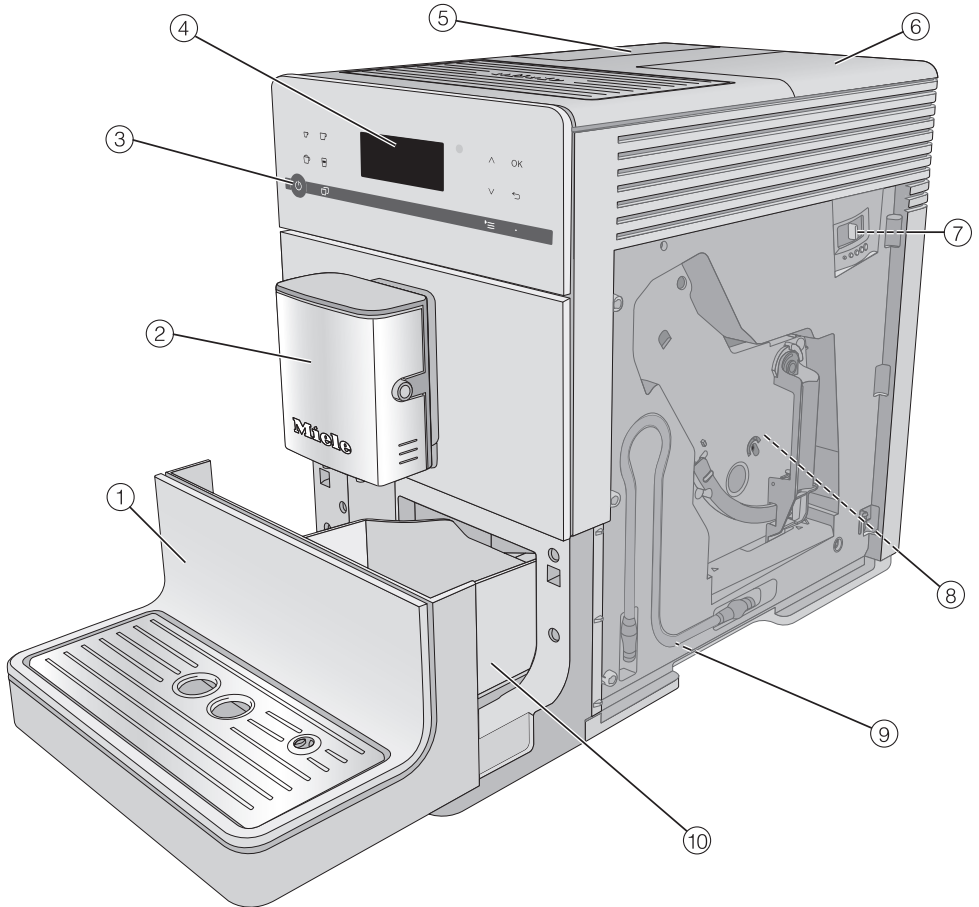
- ▶ Turn the coffee system off at the main switch before cleaning.
- ▶ Clean the coffee machine daily, particularly before using for the first time (see “Cleaning and care”).
- ▶ All parts of the milk system need to be cleaned thoroughly and regularly.
- ▶ Do not use a steam cleaner to clean this machine. Steam could reach electrical components and cause a short circuit.
- ▶ Descale the coffee system regularly depending on the water hardness level in your area. Descale the machine more frequently in areas with very hard water. Miele cannot be held liable for damage arising from insufficient descaling, the use of incorrect descaling agent or the use of descaling agent that is not of the appropriate concentration.
- ▶ Degrease the brew unit regularly with Miele cleaning tablets. Depending on the natural oil content of the coffee used, the brew unit can become blocked quite quickly.
- ▶ Rinsing coffee grounds down the drain can cause the sink to clog. Instead, dispose of your coffee grounds appropriately as biodegradable waste (where facilities exist) or by composting.


For machines with stainless steel surfaces:

- ▶ Do not use sticky notes, transparent adhesive tape, masking tape, or other types of adhesive on the stainless steel surfaces.
- ▶ Stainless steel surfaces are susceptible to scratching. Even magnets can cause scratches.

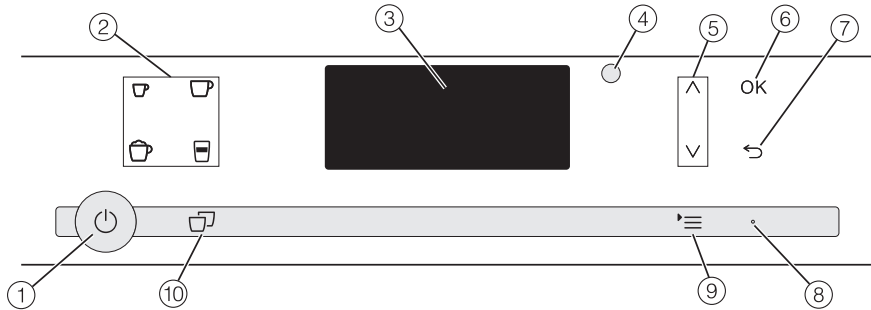
SAVE THESE INSTRUCTIONS











Machine description



- ① Lower panel with drip tray cover
- ② Main dispenser with Cappuccinatore and hot water dispenser
- ③ On/Off button 
- ④ Control panel
- ⑤ Water container
- ⑥ Bean container and ground coffee chute
- ⑦ Grinder setting (behind the service panel)
- ⑧ Brew unit (behind the service panel)
- ⑨ Park position for milk pipework
- ⑩ Drip tray with lid and grounds container

Controls and indicators



- ① **On/Off button** 
For switching coffee machine on and off
- ② **Drink buttons**
For making drinks
 -  Espresso
 -  Coffee
 -  Capuccino
 -  Latte macchiato
- ③ **Display**
For showing information about the current action or status
- ④ **Optical interface**
(for Miele Technical Service only)
- ⑤ **Arrow buttons**  
For scrolling through lists, selecting entries, or changing values
- ⑥ **OK sensor button**
For confirming display messages and saving settings
- ⑦ **“Back”**  **sensor button**
For returning to the previous menu and canceling unwanted actions
- ⑧ **LED**
Flashes when the appliance is switched on and the display is in energy saving mode
- ⑨ **☰ sensor button**
Additional drinks
Profiles (CM 5410, CM 5510, CM 5710)
Maintenance
Parameters
Settings 
- ⑩ **“2 portions”**  **sensor button**
For dispensing 2 portions of a drink at once

These products and other useful accessories can be ordered via the Miele Webstore, from Miele Service or from your Miele dealer.

Included accessories

- **Miele “Welcome Pack”**
Different cleaning products are supplied depending on model.
- **Cleaning brush**
for cleaning the milk pipework, for example.

Optional accessories

Miele also offers a range of optional accessories, as well as cleaning and conditioning products for your coffee system.

- **Cleaning agent for milk pipework**
for cleaning the milk system
- **Cleaning tablets**
for degreasing the brew unit
- **Descaling tablets**
for descaling the water pipework
- **CJ Jug 1.0 L**
Insulated flask for coffee or tea (pot function)
- **Milk flask with lid**
For storing and preparing milk
- **Miele Black Edition One for all**
perfect for making espresso, café crema, and speciality coffee with milk
- **Miele Black Edition Espresso**
Whole coffee beans – perfect for making espresso
- **Miele Black Edition Café Crema**
Whole coffee beans – perfect for making coffee

Operation

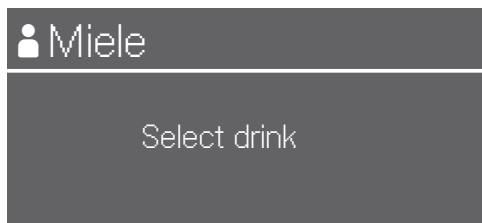
Sensor controls

To operate the coffee machine, tap the sensor controls with your finger.

An audible signal is generated each time a sensor control is tapped. You can adjust the volume of the signal tones or switch the tones off (see “Customizing settings – Volume”).

Drinks menu

When the following appears in the display, you are in the drinks menu: Select drink.



You can find more drinks in the Additional drinks menu (☰ sensor button).

Selecting a menu and navigating within a menu

To select a menu, tap the ☰ sensor button.



You will then be able to start an action or change settings in the menu. A scroll bar at the right of the display shows that additional options or text are available.

To select an option, tap the arrow buttons ^ and v until the option you want is highlighted.

Tap *OK* to confirm your selection.

The setting which is currently selected in a list will have a checkmark ✓ beside it.

Exiting a menu or canceling an action

To exit the current menu, tap the ↵ sensor button.

Before connecting the coffee machine, make sure that the connection data on the data plate (voltage and frequency) matches the electrical supply.

This data must match to avoid the risk of damage to the coffee machine. If in any doubt, consult a qualified electrician.

The connection data is provided on the data plate. The data plate can be found on the left-hand side of the appliance when the drip tray is pulled out.

The appliance is supplied with a power cord ready for connection to an AC 120 V 60 Hz supply.

The coffee machine must be connected to the power supply via a correctly installed grounded plug. The machine must be connected to an electrical system designed in accordance with national regulations.

The fuse rating must be at least 10 A.

The socket should be next to the appliance and easily accessible where possible.

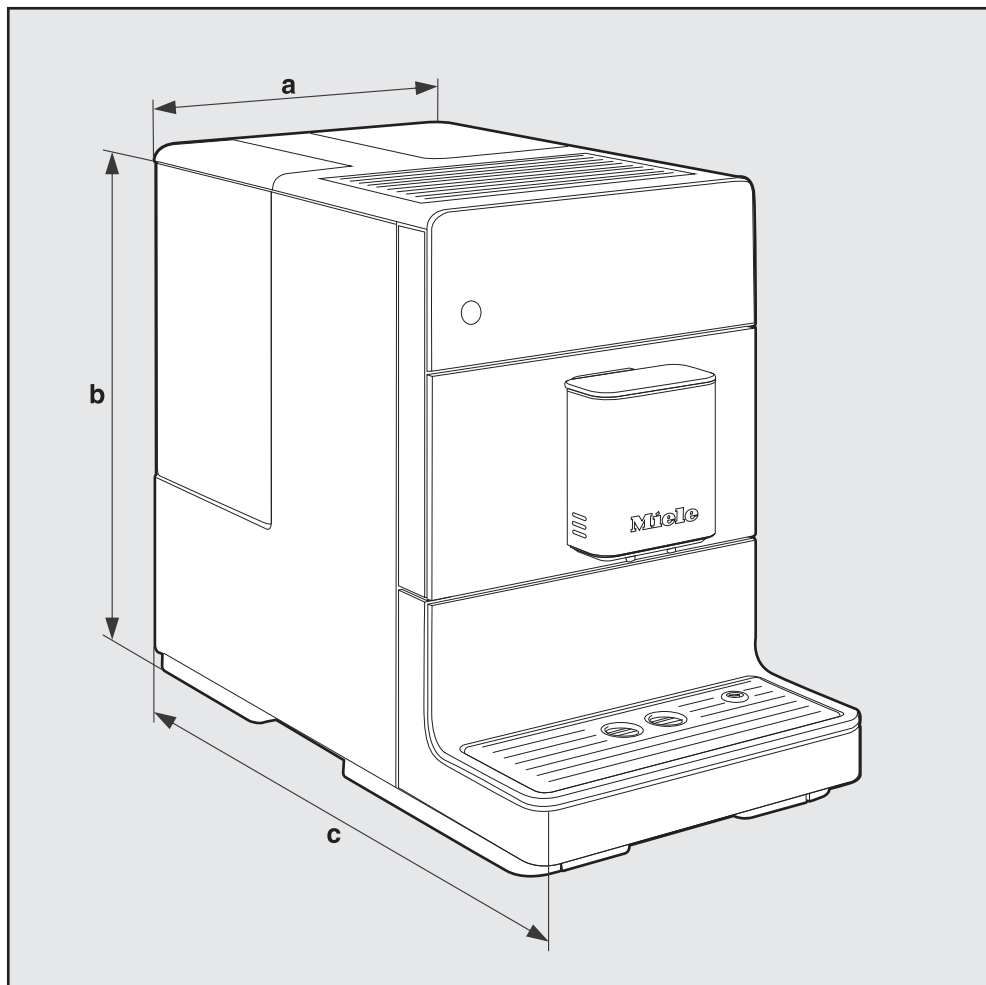
Do not connect the coffee machine to the power supply using a power bar or an extension cord. These do not guarantee the required safety of the appliance (risk of fire).

Do not connect the coffee machine to a stand-alone inverter. These devices are used for autonomous power supply, such as a solar power system. Power surges could cause a safety shut-off. This could damage the electronic.

The coffee machine must not be used with **energy saving plugs**. These reduce the energy supply to the appliance, which could generate excessive heat.

If the power cord is faulty, it must only be replaced by a qualified electrician.


Appliance dimensions



a = 9 1/2" (241 mm)

b = 14 3/16" (360 mm)

c = 18 1/8" (460 mm)

 Danger of overheating due to insufficient ventilation.

If the coffee machine is not sufficiently ventilated, the appliance can overheat.

Please ensure that there is adequate ventilation around the coffee machine.

Do not cover the coffee machine with dish towels, etc. while it is in use.

When setting up the appliance: Make sure that the service panel can be fully opened so that the brew unit can be removed with ease when required.

- The coffee machine must be set up in the niche such that it sits flush with the front edge of the niche.

If the coffee machine is installed behind a closed cabinet front, heat and moisture can build up behind the cabinet front when closed. This can result in damage to the coffee machine and/or cabinetry.

Do not close the cabinet door while the coffee machine is in use.

Please observe the following installation instructions:

- The location of the appliance must be dry and well ventilated.
- The ambient temperature of the room in which the appliance is used must be between +50°F and +100°F (+10°C and +38°C).
- The coffee machine must be set up on a level surface. The surface must be water-resistant.

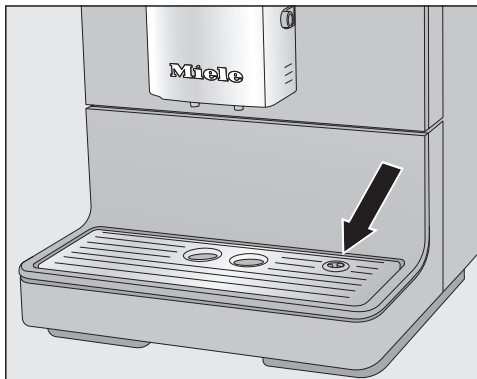
If the coffee machine is installed in a niche, the niche must provide the following minimum dimensions:

Height	20 1/16" (510 mm)
Width	17 11/16" (450 mm)
Depth	22 5/8" (575 mm)

Initial commissioning

Before using for the first time

- Remove any notices from the machine.



- Remove the protective film from the drip tray cover and place it into the lower panel.
- Place the coffee machine on a level flat surface that is not sensitive to water (see “Installation”).

Clean the coffee machine thoroughly (see “Cleaning and care”) before filling it with water and coffee beans.

- Insert the plug of the coffee machine into the socket.
- Remove the water container and fill it with fresh, cold tap water. Only fill the container up to the “max.” mark and then reinsert the water container.
- Take the lid off the coffee bean container, fill it with roasted coffee beans, and replace the lid.

Tip: The milk pipe can be stored behind the service panel when not in use.

Turning on for the first time

- Tap the On/Off button .

Miele - Willkommen appears briefly in the display.

- Use the sensor buttons \wedge \vee to highlight the required language.
- Confirm with *OK*.

You might also be asked for your location.

Completing the commissioning process

Your appliance has been successfully commissioned and is ready for use.

- Confirm with *OK*.

The coffee machine heats up and rinses the pipework. The water used for rinsing will run out of the central spout.

- Before making drinks with milk for the first time, rinse the milk pipework (see “Rinsing the milk pipework”).

Please note that the coffee aroma and the characteristic crema only develop after the first few coffees have been made.

To ensure that any coffee residues from the factory testing process are removed from the brewing system, please throw away the first 2 cups of coffee when using the coffee machine for the first time.

A larger quantity of coffee beans is ground for the first coffee drinks. Powder from the coffee grounds may adhere to the lid of the drip tray.

Filling the water tank

⚠ Risk to health due to contaminated water.
Bacteria can develop in water which has been sitting in the water container for too long and is a risk to your health.
Change the water in the water container **every day**.

⚠ Risk of damage due to incorrect operation.
Unsuitable liquids such as hot or warm water or other liquids can damage the coffee machine.
Carbonated water leaves too much limescale in the coffee machine.
Only use cold, fresh tap water to fill the water container.


Make sure that the water container handle is on the right so that the lid can close properly.

If the water container sits a little too high or at an angle, check that it is fitted correctly or whether the surface that it is sitting on is soiled. Water could leak. If necessary, clean the surface that the water container sits on.



- Open the lid on the left-hand side of the coffee machine.
- Pull the water container up and out of the appliance.
- Fill the water container with fresh, cold tap water up to the *max.* mark.
- Replace the water container and close the lid.

Filling the coffee bean container

 Risk of damage to the grinder due to incorrect operation.

The coffee machine will be damaged if the bean container is filled with unsuitable substances such as liquids, ground coffee, or coffee beans treated with sugar, caramel, or similar.

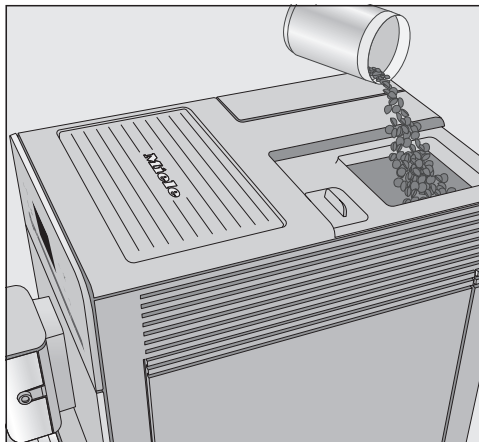
In addition, green (unroasted) coffee beans or mixtures of coffee beans which contain green coffee beans can damage the grinder. Green coffee beans are very hard and still contain residual moisture. These can damage the coffee machine grinder as soon as grinding begins.

Only put roasted coffee beans in the bean container.

Coffee or espresso can be made from whole roasted coffee beans which are freshly ground for each cup. This requires the coffee bean container to be filled with coffee beans.

Alternatively, you can make coffee drinks with ready ground coffee.

Tip: You can use a nut or seed grinder to grind green coffee beans. These grinders generally have a rotating stainless steel blade. You can then add the ground green coffee **one portion at a time** to the ground coffee chute and make the desired coffee drink.



- Take the lid off the coffee bean container.
- Fill the bean container with roasted coffee beans.
- Replace the lid.

Switching the coffee machine on

- Tap the On/Off button .

The appliance heats up and rinses the pipework. Hot water will run out of the main dispenser.

When **Select drink** appears in the display, you can make drinks.


If the coffee machine is already at operating temperature, rinsing will not take place when the appliance is switched on.

If no buttons are touched or maintenance programs carried out, the display will turn off after approx. 7 minutes to save energy.

The LED on the right flashes as long as the machine is switched on.

- Tap any one of the sensor buttons to wake the appliance up again to make a drink.

Switching the coffee machine off

- Touch the On/Off button .

If a drink has been made using milk, the message **Place milk pipework in drip tray** will appear in the display.

- Place the milk pipework in the drip tray cover.
- Confirm with *OK*.

If a drink has been dispensed, the coffee machine will rinse the pipework. The coffee machine will then switch off.

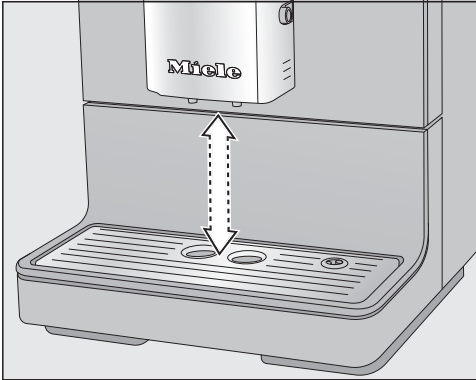
Preparing for an extended period of inactivity

If the coffee machine is not going to be used for more than 3 days, such as during a vacation, prepare the appliance for this.


- Empty the drip tray, the waste container, and the water container.
- Clean all parts thoroughly, including the brew unit and appliance interior.
- Unplug the coffee machine's electrical plug to disconnect it from the power supply.

Adjusting the coffee dispensers to the cup height

You can adjust the main dispenser to suit the height of the cup you are using so that the coffee or espresso will not cool down as quickly and the crema will have a better consistency.



- Pull the main dispenser down until it is at the same level as the rim of the cup.
Alternatively, push the main dispenser up until there is enough room to fit a larger cup or mug underneath.

 Danger of burning and scalding at the dispensers.

The liquids and steam dispensed are very hot and can cause scalding.

Keep away from the area underneath the dispensers when hot liquids and steam are being dispensed.

Do not touch hot components.

Coffee

Coffee drinks in detail

You can use the coffee machine to prepare the following coffee-based drinks:

- **Ristretto** is a concentrated, stronger espresso. It is prepared with the same amount of coffee as for an espresso but with a lot less water.
- **Espresso** is a strong aromatic coffee with a thick, hazelnut-brown colored froth – known as the crema – on top. We recommend using espresso-roasted coffee beans to make an espresso.
- **Coffee** differs from espresso by the increased amount of water and the roast of the beans. We recommend using coffee beans of the correct roast to make the coffee.
- **Lungo** is a coffee with significantly more water.
- **Cappuccino** consists of approx. 2 thirds milk froth and 1 third espresso.
- **Latte macchiato** consists of 1 third each of hot milk, milk froth, and espresso.
- **Caffè latte** consists of espresso and hot milk.

Hot milk and **milk froth** can also be made.

Milk and milk alternatives

Cow's milk or alternative plant-based dairy products (e.g., soy milk) containing added sugar can clog up the milk pipework and any other parts that carry milk. Residues from unsuitable liquids can interfere with milk preparation.

The milk used must not contain any additives.

Dairy milk naturally contains bacteria. If using dairy milk, make sure that it has been pasteurized, e.g., pasteurized cow's milk.

You can prepare hot milk and milk froth using cow's milk or alternative plant-based dairy products.

Once the appliance has heated up, the milk will be drawn up into the central spout where it is heated by steam and also frothed for drinks requiring milk froth. However, the consistency of the milk froth will vary greatly depending on the type of milk used. Not all types of milk are suitable for milk froth.

Tip: Using cold cow's milk (< 50°F/ 10°C) with a protein content of at least 3% will produce the perfect milk froth. You can select milk with a fat content according to your personal preference. With whole milk (at least 3.5% fat), the milk froth will be slightly creamier than with low-fat milk.

Preparing beverages

Alternative plant-based dairy products – hereafter referred to as “alternative dairy products” – contain different ingredients than cow’s milk, for example. Due to natural settling, dairy products tend to thicken. When preparing hot milk or milk froth, this thicker consistency can prevent the alternative dairy products from being drawn into the milk pipework.

Stir alternative dairy products well immediately before preparation.

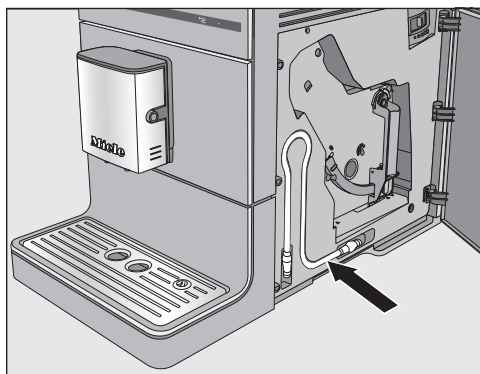
Do not shake alternative dairy products. Shaking causes foam to form in the packaging and impairs the preparation process.

Tip: Rinse the milk pipework manually immediately after preparation.

Using milk from milk cartons or other suitable containers

If you have not made any milk drinks for a while, rinse the milk pipework thoroughly before making the first drink.

Using the milk pipework, you can prepare milk directly from a milk carton or other type of packaging.



The milk pipework is located behind the service panel.

Tip: For high-quality milk froth, always use cold milk (< 50°F/10°C).

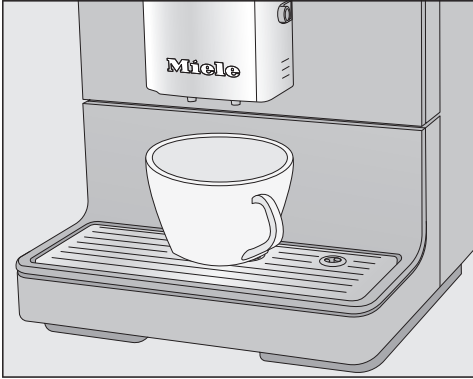


- Connect the milk pipework to the aperture in the central spout.
- If you use alternative dairy products, make sure that you stir it well. To ensure the best preparation, alternative dairy products must be stirred and not shaken.
- Place a container with sufficient milk next to the coffee machine.
- Place the end of the milk pipework in the container. Make sure that it is sufficiently immersed in the milk.

Tip: The Miele milk flask is the perfect addition to Miele coffee machines if you make a lot of coffees with milk. The milk flask is dishwasher-safe and easy to store in the fridge after preparing. Good milk froth can only be made with cold milk (< 50°F/10°C).

The Miele milk flask is available to order from the Miele online shop.

Making a coffee drink



- Place a cup under the central spout.
- If you want to make a coffee with hot milk or milk froth, prepare the milk carton with the milk pipework or the milk flask.
- Select a drink: tap the sensor control for the drink you want. Or select a drink from the *Additional drinks* menu (*≡ sensor control).

Dispensing will start.

Canceling a drink

- To cancel making a drink, tap the drinks sensor or the *≡ sensor button for drinks from *Additional drinks* again.

Drink preparation will be canceled.

Tip: You can also cancel making a drink by tapping the *OK* sensor button as soon as *Stop* appears in the display.

When making **coffee with milk** or **2 portions of a drink** you can cancel each stage individually by tapping the *OK* sensor button.

2 portions (☐ sensor button)

You can dispense 2 portions of a drink into 1 large cup or into 2 cups at the same time.



- Place a cup under each of the main coffee dispenser spouts.
- Tap the ☐ sensor button immediately before or after you start making a drink.

The dispensing starts and 2 portions of the desired drink will be dispensed.

If, after a while, you have not tapped any of the drink buttons, the “2 portions” ☐ option will revert back to single portions.

Coffee Pot

You can make several cups of coffee one after the other automatically with the *Coffee Pot* function (max. 0.75 liter) to fill a coffee pot, for example. Up to 6 cups can be made in this way.

You can use the *Coffee Pot* function twice in a row. After this, the coffee machine needs to cool down for one hour in order to prevent it from being damaged.

Preparing beverages

Make sure that the bean container and the water container have enough beans and water inside them before starting the Coffee Pot function.

- Place a sufficiently large container under the main dispenser.
- Tap the '≡ sensor button.
- Select Additional drinks | Coffee Pot and confirm with *OK*.
- Select the number of cups you want (3 through 6) and confirm with *OK*.
- Follow the instructions given in the display.

Each portion of coffee will be ground, brewed, and dispensed individually. You can follow the process on the display.

Canceling Coffee Pot

- Tap the '≡ sensor button.

Coffee Pot dispensing will stop.

Tip: A stainless steel coffee pot is available as an optional accessory from Miele for the “Coffee pot” function. The CJ JUG coffee pot is available to order from the Miele online shop.

Making coffee with ground coffee

To make drinks using ready ground coffee, add a portion of ground coffee to the ground coffee chute. This allows you to make a decaffeinated coffee even if the bean container is already filled with regular coffee beans, for example.

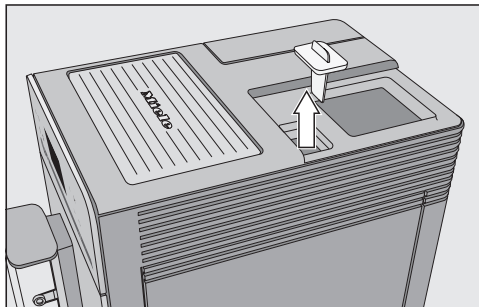
Only **1** portion of coffee or espresso can be made at a time when using ready ground coffee.

Place a **maximum of 0.4 oz (12 g)** in the ground coffee chute. If too much ground coffee is added, the brew unit will not be able to process the coffee.

Adding ground coffee

The coffee machine will use all the ground coffee that has been added to make the next coffee.

- Tap the '≡ sensor button.
- Select Additional drinks | Use ground coffee? and confirm with *OK*.



- First take the lid off of the coffee bean container and then take the cover off the ground coffee chute.

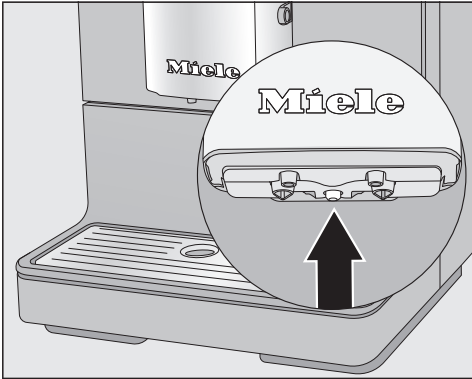
Place a **maximum of 0.4 oz (12 g)** in the ground coffee chute.

- Replace the cover to the ground coffee chute after adding the ground coffee.
- Replace the lid on the coffee bean container.
- Place a cup under the main dispenser.
- Select a drink.

The coffee will now be made.

Dispensing hot water (CM 5410, CM 5510, CM 5710)

Please note that the water dispensed is not hot enough for making black tea.



- Place a suitable container centrally underneath the main dispenser.
- Tap the '☰ sensor button.
- Select *Additional drinks | Hot Water* and confirm with *OK*.

Hot water will run into the container under the main dispenser.

Grinder setting

The grinder setting determines the contact time between the ground coffee and the water, known as the extraction time. Only when the ideal grinder setting is selected can the appliance dispense a perfect cup of coffee with a fine, hazelnut-brown crema.

Identifying the ideal grinder setting

There are various ways to tell whether the coffee grinder is set correctly.

The coffee has been **too coarsely** ground if:

- The espresso or coffee flows into the cup very quickly.
- The espresso or coffee tastes sour.
- The crema is very pale and uneven.

The coffee has been **too finely** ground if:

- The espresso or coffee flows into the cup very slowly.
- The espresso or coffee tastes too bitter.
- The crema is dark brown.

Adjusting the grinder setting

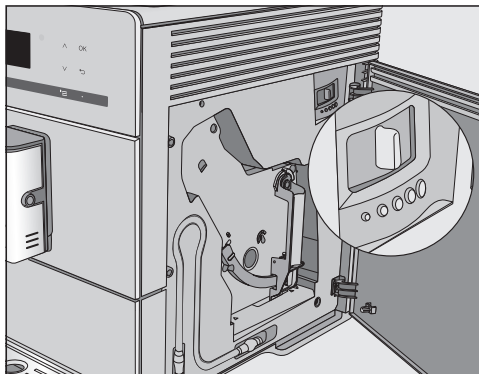
If the grinder setting is adjusted by more than one level, the grinder may be damaged.

Only adjust the grinder one level at a time.

Each time you adjust the setting, start making a new drink so that the beans are ground. Adjust the grinder setting one level at a time again.

The slide control for adjusting the grinder setting is located on the top right behind the appliance door.

- Open the appliance door.



- Push the slide control a maximum of one level to the left (for finer grinding) or to the right (for coarser grinding).

The grinder setting you select will be used for all coffee drinks.

- Close the appliance door.

- Make one cup of coffee.

Now you can adjust the grinder setting again.

The altered grinder setting will not be used until after the second coffee has been dispensed.

The grinder will naturally wear out slightly over time. Set the grinder to a finer setting if necessary.

Amount of coffee, brew temperature, and pre-brewing

You can set the amount of coffee, the brewing temperature, and pre-brewing for each drink individually. To do this, first select the drink from the Parameters menu and then adjust the drink parameters.

- Tap the '☰ sensor button and select Parameters.
- Select a drink and confirm with *OK*.

The current settings for the amount of coffee, brewing temperature, and pre-brewing will be displayed for this drink.

- Select Amount of coffee, Brew temperature, or Pre-brewing.
- Select the setting you want and confirm with *OK*.

The setting is now saved.

CM 5410, CM 5510, CM 5710: The changed parameter is always saved in the current profile. The name of the current profile is shown in the top left of the display.

Amount of coffee

The coffee machine can grind and brew 6–14 g of coffee beans per cup. The greater the amount, the stronger the coffee.

The amount of coffee is **too low** if the espresso or coffee lacks body.

Increase the amount of coffee to brew more ground coffee.

The amount of coffee is **too high** if the espresso or coffee tastes bitter.

Decrease the amount of coffee to brew less ground coffee.

Tip: If the coffee is too strong for you or it tastes bitter, try a different type of bean.

Brewing temperature for coffee drinks

The brewing temperature must be adapted to the roast of the beans you are using. This is crucial whether you are making espresso or coffee.

Several types are sensitive to high brewing temperatures, resulting in an impaired taste. If your coffee tastes bitter, the brewing temperature you have selected might be too high.

Espresso is usually brewed at higher temperatures.

Pre-brewing ground coffee

When the pre-brewing function is turned on, the ground coffee is first moistened with a little hot water. The ground coffee swells a little.

Then the remaining water is forced through the moistened coffee at high pressure. If your coffee tastes too bland and you want to add some spice and richness, try the “Pre-brewing” function. Depending on the type of coffee used, pre-brewing can intensify the taste.

You can set a short or long duration for pre-brewing or turn the “Pre-brewing” function off completely.

Tip: It is particularly recommended to use the “Pre-brewing” function to make coffee.

Portion size

The flavor of the coffee produced depends not only on the type of coffee, but also on the amount of water used. You can program the amount of water for all coffee drinks and hot water to suit the size of your cups and the type of coffee you are using. This does not alter the amount of coffee used.

For coffee specialties that use milk, you can also set the amount of milk or milk froth to be dispensed with these drinks, as well as the amount of coffee or espresso. Additionally, you can set the portion sizes for hot milk and milk froth alone.

A maximum portion size can be programmed for each type of drink. Dispensing stops once this has been reached. The maximum possible portion size is then saved by the appliance for this type of drink.

If the water container becomes empty while making a drink, the coffee machine will stop programming the portion size. The portion size will **not** be saved.

There are two ways of initiating the programming of the portion size:

- by touching the drinks buttons when you are making a coffee, or
- by selecting **Portion size** in the **Parameters** menu.

CM 5410, CM 5510, CM 5710: The changed portion size is always saved in the current profile. The name of the current profile is shown in the top left of the display.

Canceling portion size programming

- Touch the drinks button again or the **'≡** sensor button for drinks from **Additional drinks**.

Changing the portion size while making a drink

You can change and save the portion size for espresso ☐, coffee ☐, cappuccino ☐, and latte macchiato ☐ while making these drinks.

- Place a cup under the central spout.
- Touch the sensor button for the desired drink until **Change** appears in the display.

An audible tone will sound as soon as portion size programming starts. (As long as the volume has been set for the audible signals – see “Volume”.)

The desired drink will be made and **Save** will appear in the display.

- When the cup is filled up to the level you want, confirm with **OK**.

If you want to change the portion size for coffee specialties with milk, the ingredients of the drink are saved one after the other during preparation.

- When the quantity for each ingredient reaches the level you want, confirm with **OK**.

The programmed mix of ingredients and the portion size will now be dispensed every time that particular drink is selected.

Changing the portion sizes in the Parameters menu

You can only change the portion sizes for **lungo**, **caffè latte**, **hot milk**, and **milk froth** via the Parameters menu.

- Place a suitable container under the central spout.
- Touch the '≡ sensor button.
- Select Parameters.
- Select the drink you want.
- Select Portion size.
- Confirm with *OK*.

Now proceed as for changing the portion size while making a drink.

Profiles

(CM 5410, CM 5510, CM 5710)

Profiles

In addition to the Miele drinks menu (Miele profile), you can create individual profiles to cater for different tastes and preferences.

Within the profile, you can adjust the portion sizes and parameters individually for all drinks.

Creating a profile

- Touch the '≡ sensor button.
- Select Profiles.
- Confirm with *OK*.

The Profiles menu opens.

- Select Create profile.

The editor opens.

- Enter the profile name:
 - To enter a character, highlight the one you want and confirm your choice with *OK*.
 - To delete a character, touch the ↵ sensor button.
 - To save the name, select the checkmark ✓ and confirm with *OK*.

The profile is created.

Changing drinks within a profile

When you change the parameters of a drink within a profile, these settings only apply to the active profile. The settings for drinks contained within other profiles remain unaffected.

- Touch the '≡ sensor button.
- Select Profiles.
- Confirm with *OK*.

The Profiles menu opens.

- Select the profile you want.
- Confirm with *OK*.

The name of the selected profile is shown in the top left of the display.

You can now change the drinks individually.

Making a drink from a profile

- Place a suitable container under the central spout.
- Touch the '≡ sensor button.
- Select Profiles.
- Confirm with *OK*.

The Profiles menu opens.

- Select the profile you want.
- Confirm with *OK*.
- Select the drink you want.

The coffee machine starts dispensing the drink.

Changing the name

This selection is only possible if a user profile has been allocated in addition to the Miele standard user profile.

- Use the sensor buttons ^∨ to select Change name and touch *OK*.
- Proceed in the same way as when creating the profile:
 - To delete a character, touch the ↵ sensor button.
 - To enter new characters, highlight the relevant character and confirm with *OK*.
 - Save the new name by selecting ✓ in the display and touching *OK*.

Deleting the profile

This selection is only possible if a user profile has been allocated in addition to the Miele standard user profile.

- Select **Delete profile** and confirm with *OK*.
- Select the profile you wish to delete.
- Select **Yes** and confirm with *OK*.

The profile will be deleted.

Setting when the profile should change (Change profile)

- Select **Change profile**.
- Confirm with *OK*.

You can choose between the following options:

- **Manual:** The selected profile will remain active until you select another one.
 - **After each use:** The coffee machine will revert to the Miele profile whenever a drink is dispensed.
 - **When turned on:** The Miele profile will be displayed whenever the coffee machine is switched on, regardless of which profile was selected before the machine was last switched off.
- Select the option you want.
 - Confirm with *OK*.

Settings


Displaying and changing Settings

The drinks menu is displayed.

- Touch the '≡ sensor button.
- Select Settings.
- Confirm with *OK*.
- Select the menu option that you want to display or change.
- Confirm with *OK*.
- Change the setting as required.
- Confirm with *OK*.



Language

You can select the language and, if applicable, your location for all display text.

Tip: If you select the wrong language by mistake, you can find the Language option again via the  symbol.

Timer: switch off after

If none of the buttons have been pressed or no drink has been prepared, the coffee machine will turn itself off after 30 minutes to save energy.

You can change this pre-setting using the sensor buttons   to a time between 15 minutes and 9 hours.

Extending the Switch off after time increases the energy consumption of the coffee machine.

Eco Mode

In Eco mode, the system does not heat up until someone starts making a drink.

Eco Mode is activated by default.

Switching off Eco mode increases the energy consumption of the coffee machine.

Info (display information)

You can display the number of drinks dispensed so far and how many more can be dispensed until the maintenance programs have to be run.

System lock

You can lock the coffee machine to prevent it from being used by unauthorized persons, such as children.

Temporarily deactivating the system lock

- Press and hold *OK* for 6 seconds.

The system lock is reactivated when the coffee machine is next switched off.

Water hardness

Water hardness is an indication of the amount of minerals dissolved in water. The more minerals in the water, the higher the water hardness. The harder the water is, the more frequently the coffee machine needs to be descaled.

The coffee machine measures the amount of water used and steam made. Depending on the level of water hardness set, more or fewer drinks can be dispensed before the appliance needs to be descaled.

Program the coffee machine to the water hardness level of your area so that it functions correctly and does not get damaged. A prompt to descale the machine will then appear in the display at the correct time.

Your local water authority will be able to tell you the hardness of the water in your area.


The water hardness level is set to 3 at the factory.

The appliance has 4 programmable hardness levels:

°dH	gr/gal	ppm (mg/l CaCO ₃)	Set- ting*
0–8.4	0–8.7	0–150	Soft 1
8.4–14	8.7–14.6	150–250	Medium 2
14–21	14.6–21.9	250–375	Hard 3
> 21	> 21.9	> 375	Very hard 4

* The hardness levels shown in the display may differ from the hardness level designations in your area. You **must** follow the values in the chart to set the correct water hardness level for your area.

Setting the water hardness

- Touch the '≡ sensor button.
- Select Settings  | Water hardness.
- Confirm with *OK*.
- Select the hardness level.
- Confirm with *OK*.

The setting is now saved.

Display brightness

Change the display brightness using the sensor buttons \wedge \vee .

Volume

The volume of the alarm and the sensor buttons can be set using the arrow buttons \wedge \vee .

Tip: To switch off the tones, touch the arrow buttons \vee until no more segments are filled in and appears.

Factory default settings

You can reset the coffee machine to its factory default settings.

The following will **not** be reset:

- The number of drinks dispensed and the appliance status (No. of portions until appliance needs descaling, ... brew unit needs degreasing)
- Language
- Profiles and the associated drinks (CM 5410, CM 5510, CM 5710)

Demo mode (stores and show-rooms)

Do not activate this function for domestic use.

Settings

The Demo Mode function enables the coffee machine to be demonstrated in stores or showrooms. Although the sensor buttons and display seem to be working, the thermo block is not being heated. The appliance does not dispense any drinks, run maintenance programs, or save any settings.

You can activate demo mode without commissioning the appliance. The water container is empty or missing. Switch the coffee machine on. As soon as the Fill and replace the water container message appears, touch the ↶ button for 5 seconds. Demo mode is activated.



Risk to health due to inadequate cleaning.

Heat and moisture inside the coffee machine can cause coffee residues to become moldy and/or milk residues to go off and pose a risk to health.

Carefully clean the coffee machine regularly.

Overview of cleaning intervals

Recommended frequency	What do I have to clean/maintain?
Daily (at the end of the day)	Water container
	Grounds container
	Drip tray and drip tray cover
Once a week (more often if heavily soiled)	Central spout with integrated Cappuccinatore
	Brew unit
	Interior area underneath the brew unit and the drip tray
	Housing (particularly important immediately after descaling the appliance)
Once a month	Milk pipework
	Bean container and ground coffee chute
Once a year (more often if required)	Water container filter
	Grease the brew unit (with silicone grease)
When prompted	Degrease the brew unit (with 1 cleaning tablet)
	Descale the appliance (with 1 descaling tablet)


Cleaning and care

Clean by hand or in dishwasher

The brew unit is **not** dishwasher safe. Only clean the brew unit by hand with warm water. **Do not use any cleaning agents.**

The following components must be cleaned **by hand only**:

- Central spout stainless steel cover
- Brew unit
- Bean container lid
- Lower panel

 Risk of damage as a result of excessively high dishwasher temperatures.

Components may be ruined (e.g., may become warped) if washed in a dishwasher at temperatures higher than 130°F (55°C).


For dishwasher-safe components, always select dishwasher programs with a maximum temperature of 130°F (55°C).

Contact with natural dyes, such as those found in carrots, tomatoes, and ketchup, may discolor the plastic parts in the dishwasher. This discoloration does not affect the stability of the parts.

The following parts are **dishwasher-safe**:

- Drip tray and lid
- Drip tray cover
- Waste unit
- Water container
- Central spout (without stainless steel cover)


- Ground coffee chute cover

 Danger of burning and scalding on hot components or by hot liquids. Components can become very hot during operation. Touching hot components can cause burning. The liquids and steam dispensed are very hot and can cause scalding.

Keep away from the area underneath the dispensers when hot liquids and steam are being dispensed.

Always allow the coffee machine to cool down before cleaning it.

Please be aware that water in the drip tray can also be very hot.

 Risk of damage due to moisture ingress.

The steam from a steam cleaning appliance could reach electrical components and cause a short circuit.

Do not use a steam cleaner to clean the coffee machine.

It is important to clean the appliance regularly. Milk residues can go off and can block the milk pipe.

Unsuitable cleaning agents

Contact with unsuitable cleaning agents can alter or discolor the external surfaces. All surfaces are susceptible to scratching. Scratches on glass can lead to breakage in some circumstances.

Remove any residual cleaning agent immediately. Make sure you remove any spillages or splashes of descaling agent immediately.

To avoid damaging the surfaces of your appliance, do not use the following cleaning agents:

- cleaning agents containing soda, ammonia, acids, or chlorides
- solvent-based cleaning agents
- disinfectant cleaning agents and hand sanitizer
- cleaning agents containing descaling agents (unsuitable for cleaning the housing)
- stainless steel cleaners
- dishwasher cleaners (unsuitable for cleaning the housing)
- glass cleaners
- cleaning agents for glass-ceramic cooktops
- oven cleaners
- steam oven cleaning agents (DG-Clean)
- abrasive cleaning agents, such as scouring powder, scouring cleansers, or pumice stones
- scouring pads, such as pot scrubbers and brushes, or used sponges that still contain abrasive cleanser residue
- eraser sponges

- sharp metal scrapers
- steel wool or stainless steel sponges
- sunscreen

Cleaning the drip tray, grounds container, and drip tray cover

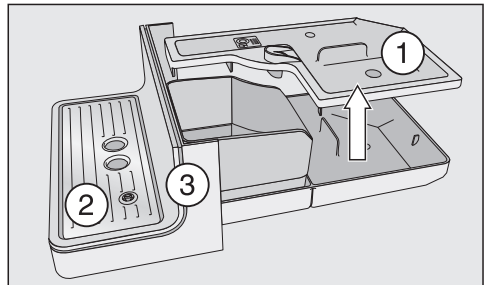
Clean the drip tray and grounds container **every day** to avoid unpleasant smells and bacteria.

The grounds container is located in the drip tray. Water from rinsing also collects in the grounds container.

A prompt will appear in the coffee machine display when the drip tray and/or the grounds container is full and needs to be emptied. Empty the drip tray **and** the grounds container.

⚠ Danger of burning!

If the rinsing process has just finished, wait a while before removing the drip tray from the coffee machine. The water used for rinsing will continue to run out of the coffee spouts for a while.



- Pull the drip tray carefully out of the coffee machine. Take the lid ① off.
- Empty the drip tray **and** grounds container.
- Remove the drip tray cover ② and the lower panel ③.

Cleaning and care

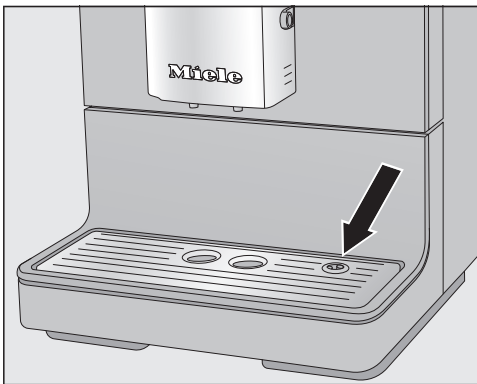
Clean the lower panel by hand only using warm water and liquid dish soap. All other parts are dishwasher-safe.

- Clean all parts.

Tip: To give the drip tray, drip tray cover, and grounds container an extra thorough clean, clean them in the dishwasher from time to time.

- Clean the interior of the appliance underneath the drip tray.
- Reassemble all parts and place the drip tray back in the coffee machine.

Make sure the drip tray has been pushed into the appliance as far as it will go.



- Make sure that the drip tray cover is correctly installed (see illustration).
- Clean the area under the coffee machine. Water can get under the appliance when the drip tray is removed.

Cleaning the water container

Clean the water container every day.

Make sure that the valve, the underside of the water container, and the surface the water container sits on are clean. Otherwise, the water container will not sit correctly.

- Remove the water container.
- Clean the water container by hand using warm water and liquid dish soap.
- Dry the water container after cleaning.

Tip: To give the water container an extra thorough clean, clean it in the dishwasher from time to time.

- Carefully clean and dry the surface the water container sits on in the coffee machine, particularly the recesses.
- Reinsert the water container.

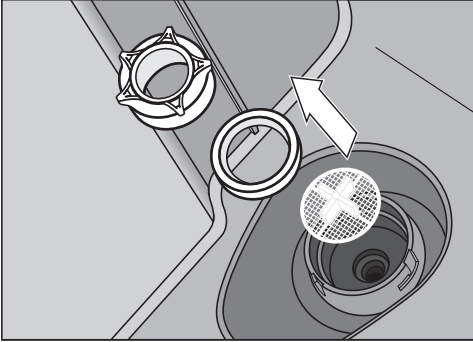
Cleaning the water container filter

Clean the water container filter once a month.

The water container filter is located under the water container.

- Remove the water container.

Cleaning and care

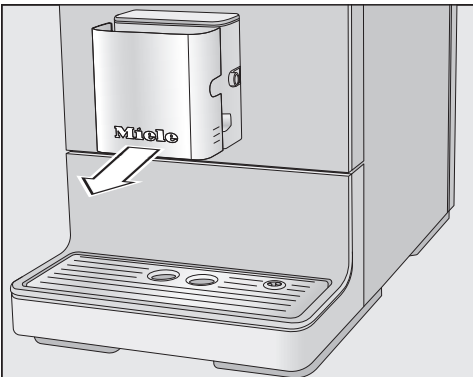


- Unscrew the cap. Remove the sealing ring and the filter.
- Rinse all parts carefully under running water.
- Then replace the water container filter (with the cross facing upward) and then the sealing ring. Finally screw the cap back on tightly.
- Put the water container back in place.

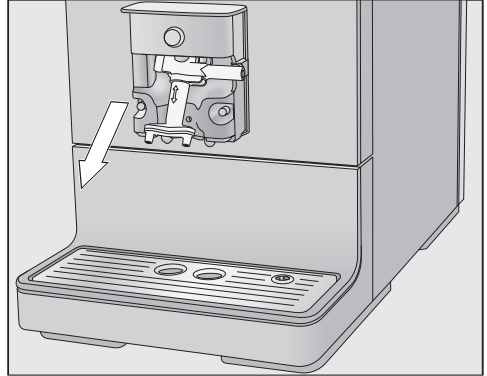
Cleaning the central spout

Clean the central spout with integrated Cappuccinatore at least once a week.

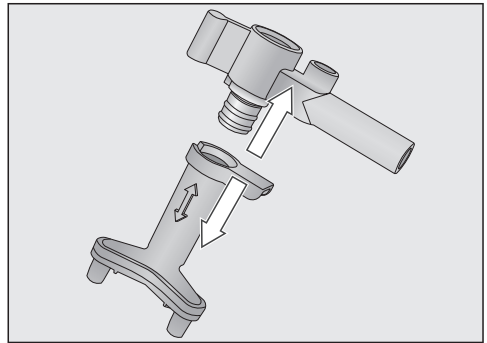
Removing the central spout



- Pull the stainless steel cover off.



- Pull the dispensing unit down to remove it.



- Release the upper section with the holder for the milk pipework from the dispensing spouts.

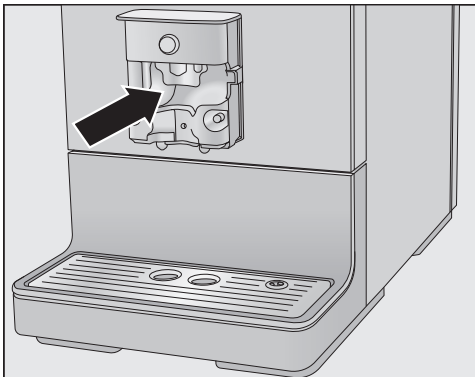
Cleaning the central spout

Clean the central spout's stainless steel cover **by hand only** using warm water and liquid dish soap. All other parts are dishwasher-safe.

- Clean all parts thoroughly.

Tip: To give the individual parts of the dispensing unit an extra thorough clean, clean them in the dishwasher from time to time.

Cleaning and care




- Clean the surfaces of the central spout and the dispensing spouts with a damp cloth.
- Clean any blockages in the milk pipework under running water with the cleaning brush supplied: to do this, insert the brush in the pipework. Move it back and forth until all milk residue has been removed.

Reassembling the central spout

The dispensing unit is easier to reassemble if the individual parts are dampened with water beforehand.

- Reassemble the dispensing unit.
- Install the dispensing unit back on the central spout. Press firmly to ensure the dispensing unit is securely installed without any gaps.
- Reinstall the stainless steel cover.
- If necessary, connect the milk pipework.

Cleaning the milk pipework

 Risk to health due to inadequate cleaning.

Milk naturally contains bacteria. Heat and moisture inside the coffee machine can cause these bacteria to multiply, e.g., milk residues can go off and pose a risk to health.

Clean all components in which milk is transported thoroughly on a regular basis.

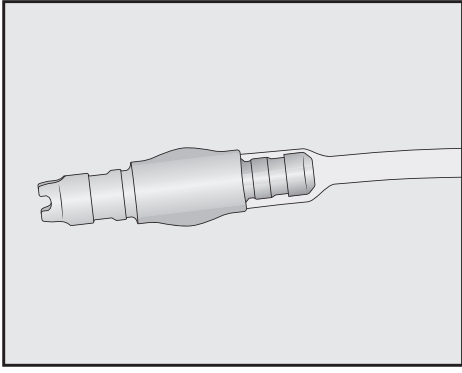
Clean the coffee machine's milk pipework approximately every 5 days or more frequently if necessary.

There are two options for cleaning the milk pipework:

- You can remove and dismantle the central spout with its integrated Cappuccinatore and either wash it in the dishwasher or by hand with warm water and liquid dish soap (see "Central spout with integrated Cappuccinatore").
- Or you can clean the milk pipework using the Clean milk pipework maintenance program together with a cleaning agent for milk pipework (see "Maintenance programs – Cleaning the milk pipework").

Tip: In addition to your weekly cleaning routine, it is recommended to carry out the alternative cleaning procedure on the milk pipework once a month. For example, if you manually clean the machine once a week, then you should run the Clean milk pipework maintenance program once a month. This combination will ensure that the milk pipework is cleaned optimally.

If you have released the connecting piece from the milk pipe: when re-assembling, ensure that the smaller, thinner end of the connecting piece is pushed into the hose.



Cleaning the bean container and ground coffee chute

⚠ Risk of injury from the grinder!
Switch off the coffee machine and disconnect it from the power supply before cleaning the bean container.

Coffee beans contain oils which can deposit on the walls of the bean container and hinder the flow of the beans. Therefore, clean the bean container regularly with a soft, dry cloth.

- Open the bean container.
- Remove any coffee beans.
- Clean the bean container with a dry, soft cloth.

The coffee bean container can now be refilled.

If necessary, clean the ground coffee chute:

- Open the coffee chute and remove any ground coffee residues.

Tip: Use a vacuum cleaner to remove any dry ground coffee residues from the bean container and the ground coffee chute.

Cleaning the casing

If soiling is allowed to stay for a long time or there is contact with unsuitable cleaning agents, surfaces can alter or discolor.

Remove any soiling immediately.

Ensure that any splashes of descaling solution are wiped up immediately.

- Switch the coffee machine off.
- Clean the appliance front with a clean soft sponge and a solution of warm water and liquid dish soap.
- Dry all surfaces with a soft cloth.

Tip: You can also clean the casing with the Miele All-Purpose Microfiber Cloth.

Opening the Maintenance menu

You can find the maintenance programs in the Maintenance menu. Carry out the relevant maintenance program when the prompt to do so appears in the display.

- Tap the '≡ sensor button.
- Select Maintenance and confirm with *OK*.

You can now select a maintenance program.

Rinsing the appliance

If you have made a coffee drink, the coffee machine will rinse the coffee pipework automatically before switching off. You can also start the Rinse appliance function manually.

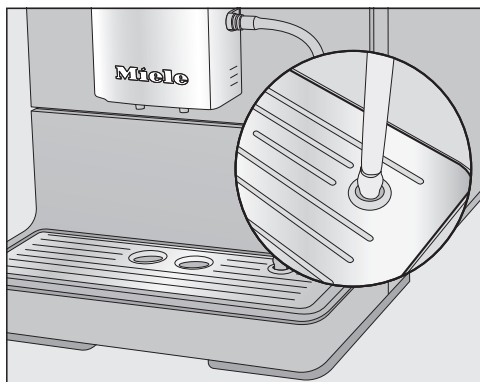
Cleaning and care

Rinsing the milk pipework

Milk residues can block the milk pipework. The milk pipework should therefore be rinsed regularly. If a drink has been made using milk, the prompt to insert the end of the milk pipework into the drip tray cover will appear at the latest when you switch the appliance off.

You can also rinse the milk pipework manually.

- Touch the '≡ sensor button.
- Select Maintenance | Rinse milk pipework and confirm with *OK*.



- When prompted, place the end of the milk pipework into the right-hand aperture in the drip tray cover.
- Confirm with *OK*.

The milk pipework will now be rinsed.

Cleaning the milk pipework with the maintenance program

For optimum cleaning results, it is recommended to use the Miele cleaning agent for milk pipework. The powder cleaning agent for milk pipework has been specially developed for use with Miele coffee machines and prevents subsequent damage.

You can order the cleaning agent for milk pipework from the Miele online shop.

The Clean milk pipework maintenance program lasts for approx. 10 minutes.

You need 1 stick of cleaning agent for milk pipework to clean it.

- Touch the '≡ sensor button.
- Select Maintenance | Clean milk pipework.

The cleaning process cannot be canceled. It must be completed through to the end.

- Confirm with *OK*.
- The process will start.
- Follow the instructions in the display.

Making a cleaning solution:

- Dissolve the powder cleaning agent in a container with approx. 1 cup (200 mL) of lukewarm water.
- Stir the solution with a spoon until the powder has fully dissolved.

Carrying out the cleaning process:



- Place the container next to the coffee machine and hang the milk pipework in the cleaning solution. Make sure the milk pipework is sufficiently immersed in the cleaning solution.
- Confirm with *OK*.
- Follow the additional instructions given in the display.

The cleaning process is complete when rinsing has finished.

Tip: Rinse any residual cleaning agent out of the milk pipework with running water.

Degreasing the brew unit

Depending on the natural oil content of the coffee used, the brew unit can become blocked quite quickly. The brew unit must be degreased regularly in order to ensure aromatic coffee and trouble-free operation of the coffee machine.

We recommend using Miele cleaning tablets to clean the brew unit. These have been specially developed for degreasing the brew unit in Miele Coffee Machines and prevent subsequent damage.

The cleaning tablets are available to order from the Miele online shop.

After 200 portions have been dispensed, a message prompting you to degrease the brew unit will appear in the display.

- Confirm the message with *OK*.

The message will appear at regular intervals. Once the maximum possible number of portions has been reached, the coffee machine will lock.

Degreasing the brew unit

No drinks can be made and *Degrease the brew unit* and *clean the interior of the machine* appears in the display.

The cleaning process cannot be canceled. It must be completed through to the end.

- Confirm with *OK*.

The maintenance program will then start.

- Follow the instructions in the display.

Cleaning the brew unit and interior

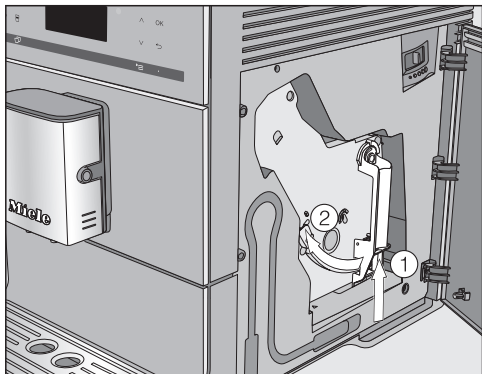
Only clean the brew unit **by hand** using warm water. **Do not use any cleaning agents.** The moving parts of the brew unit are lubricated. Cleaning agents will damage the brew unit.

To ensure good tasting coffee and to prevent a build-up of bacteria in the machine, remove and clean the brew unit under running water once a week.

Remove the brew unit. Clean the interior of the machine. Rinse the brew unit by hand and refit it with a cleaning tablet in it. *ap* appears in the display.

- Open the appliance door.

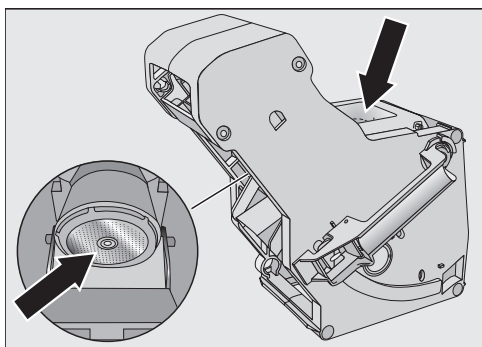
Cleaning and care




- Press and hold the button on the end of the brew unit handle ① and, while doing so, turn the handle to the left ②.
- Carefully pull the brew unit out of the coffee machine.

Once you have removed the brew unit, **do not** change the position of the handle on the brew unit.

- Clean the brew unit **by hand under warm running water** without using any cleaning agents.

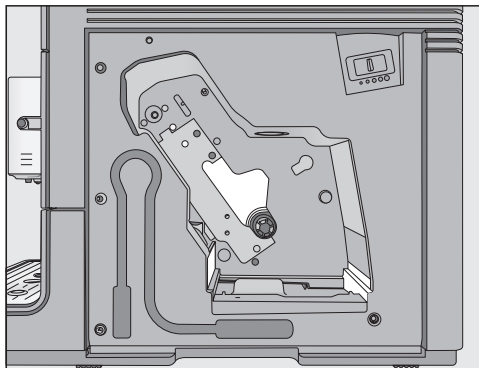


- Wipe any remaining coffee off the filters (see arrows).
- Dry the funnel to prevent ground coffee from sticking to it the next time a coffee is made.

 Risk to health due to inadequate cleaning.

Damp coffee residues in the interior of the appliance can grow bacteria and pose a risk to health.

Remove ground coffee residues regularly and clean the interior of the appliance.

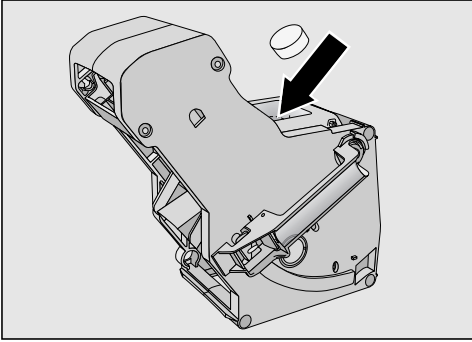


- Clean the interior of the coffee machine. Make sure that the areas highlighted in the illustration are cleaned especially well.

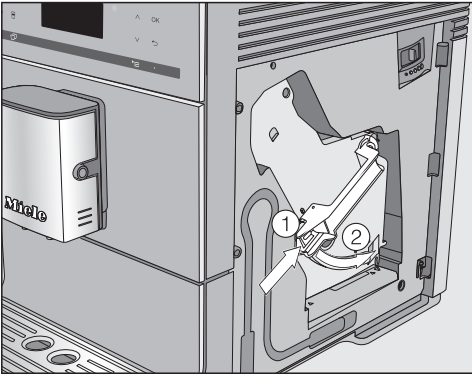
Tip: Use a vacuum cleaner to remove dry ground coffee residues.

Dropping a cleaning tablet into the brew unit

Insert the brew unit containing tablet will appear in the display.



- Drop a cleaning tablet into the top of the brew unit (arrow).
- Push the brew unit containing the cleaning tablet back into the coffee machine.



- Press the button on the end of the brew unit handle ① and, while doing so, turn the handle to the right ②.
- Close the appliance door.
- Follow the additional instructions given in the display.

The cleaning process is complete when the drinks menu appears.

Descaling the appliance

Risk of damage from splashes from the descaling solution.

Sensitive surfaces and/or natural floors can suffer damage.

Wipe up any spillages immediately when descaling.

Limescale builds up in the coffee machine through use. How often the machine needs to be descaled will depend on the water hardness level in your area. Limescale must be removed regularly.

The machine will guide you through the descaling process. Various messages will appear in the display, e.g., you will be prompted to empty the drip tray or fill the water container.

Descaling **must be carried out**. The process takes approx. 15 minutes.

The coffee machine prompts you in the display when it needs to be descaled. No. of uses until appliance needs descaling: 50 will appear in the display. The remaining number of drinks that can be made before descaling will show in the display after each drink.

- Confirm the message with *OK*.

When the number of remaining portions reaches 0, the coffee machine will lock.

You can switch the coffee machine off if you do not want to carry out the descaling program at this point. You cannot make any drinks until the machine has been descaled.

Descaling after prompt appears in the display

Descalc will appear in the display.

Cleaning and care

Descaling cannot be canceled once it has started. It must be completed through to the end.

- Confirm with *OK*.

The process will start.

- Follow the instructions in the display.

When Fill the water container with descaling agent and lukewarm water up to the S symbol and replace. S appears in the display, proceed as follows.

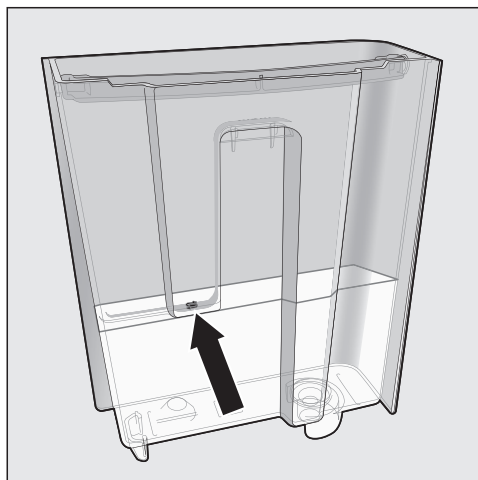
For optimum descaling results, we recommend using the Miele descaling tablets.

The descaling tablets have been specially developed for Miele coffee machines.

Other descaling agents, which contain other acids besides citric acid and/or other undesirable substances, such as chlorides, may cause damage to the product. Moreover, the descaling result required cannot be guaranteed if the descaling solution was not of the appropriate concentration.

The descaling tablets are available to order from the Miele online shop.

You will need **1** descaling tablet to descale the machine.



- Fill the water container to the S mark with lukewarm water.
- Add **1** descaling tablet to the water container.

Follow the instructions for the descaling agent mixing ratio carefully. Fill the water container with the specified amount of water. Otherwise, descaling will be incomplete.

Carrying out descaling

- Reinsert the water container.
- Follow the additional instructions given in the display.

When Rinse, refill and insert the water container. Close the door. S appears in the display:

- Remove the water container and rinse it thoroughly with clean water. Ensure that **no** descaling solution residue remains in the water container. Fill the water container to the S mark with fresh drinking water.

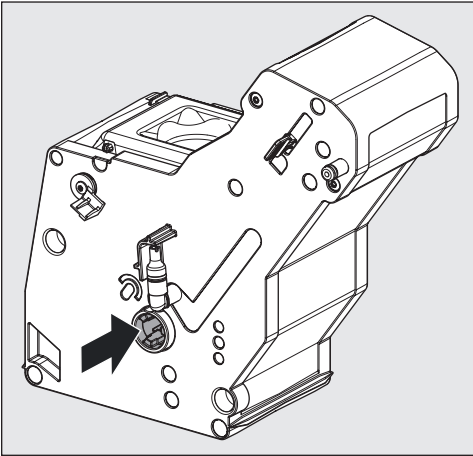
The descaling process is complete when the drinks menu appears.

Lubricating the brew unit

Lubricate the brew unit once a year and as required if the brew unit is difficult to remove and re-insert.

Use food-grade silicone grease.

- Open the appliance door.
- Remove the brew unit.



- Apply a pea-sized amount of silicone grease to the brew unit's drive shaft.
- Re-insert the brew unit.
- Close the appliance door.

Frequently asked questions

Many malfunctions and faults can be easily remedied. You can save time and money in many cases, as you do not need to contact Miele Service.

More information to help you rectify faults yourself can be found at <https://www.mieleusa.com/support/customer-assistance>.





Messages in the display


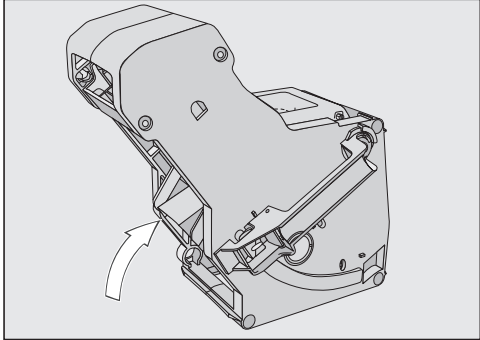

Error messages must be confirmed with *OK*, otherwise the message may reappear in the display even though the problem has been remedied.

To address the fault, follow the instructions on the display.


If the error message appears in the display again, contact Miele Technical Service.

Problem	Possible cause and solution
F1, F2, F80, F82	There is an internal fault. ■ Switch the coffee machine off with the On/Off button  . Wait for approximately one hour before switching the machine back on again.
F41, F42, F74, F77, F235, F236	There is an internal fault. ■ Switch the coffee machine off with the On/Off button  . Wait for approximately 2 minutes before switching the machine back on again.
F10, F17	No water or very little water is being drawn in. ■ Remove the water container. Fill the water container with fresh tap water and reinsert the water container. ■ Remove and clean the water container filter (see “Cleaning and care – Removing and cleaning the water container filter”).




Frequently asked questions

Problem	Possible cause and solution
<p>F73 or Check the brew unit</p>	<p>The brew unit cannot be positioned correctly.</p> <ul style="list-style-type: none">■ Switch the coffee machine off with the On/Off button .■ Unplug the coffee machine. Wait for two minutes before inserting the electrical plug back in the socket and switching on.■ Remove the brew unit and rinse under running water.  <ul style="list-style-type: none">■ Push the coffee ejector of the brew unit into the correct position.■ Do not insert the brew unit. Close the appliance door and switch the coffee machine on with the On/Off button . <p>This will initialize the brew unit drive and put it back into the start position.</p> <ul style="list-style-type: none">■ When Insert the brew unit appears in the display, put the brew unit back in the appliance. Close the appliance door.

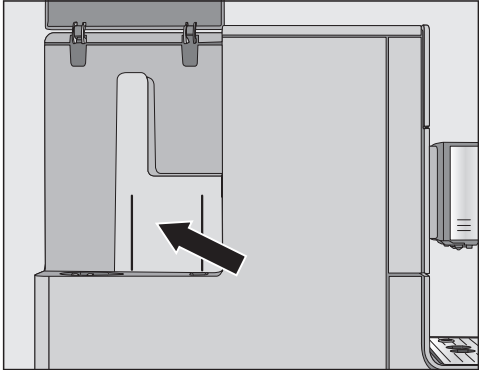


Frequently asked questions

Problem	Possible cause and solution
Too much ground coffee	<p>There is too much ground coffee in the ground coffee chute.</p> <p>The brew unit cannot compact ground coffee if more than two level spoonfuls of ground coffee are added to the ground coffee chute. The ground coffee will be emptied into the grounds container and the fault message will appear in the display.</p> <ul style="list-style-type: none">■ Switch the coffee machine off with the On/Off button .■ Remove and clean the brew unit by hand (see “Degreasing the brew unit and cleaning the interior”).■ Remove the ground coffee inside the coffee machine, e.g., with a vacuum cleaner.■ Place a maximum of 12 g of coffee in the ground coffee chute.

Unusual performance of the coffee system

Problem	Possible cause and solution
<p>The display remains dark when the coffee machine is turned on using the On/Off button .</p>	<p>The On/Off button  was not held for long enough.</p> <ul style="list-style-type: none"> ■ Tap and hold the On/Off button  for at least 3 seconds.
	<p>The electrical plug is not properly plugged into the socket.</p> <ul style="list-style-type: none"> ■ Insert the electrical plug into the socket.
	<p>The breaker has tripped because the coffee machine, voltage, or another appliance is defective.</p> <ul style="list-style-type: none"> ■ Unplug the coffee machine. ■ Contact a qualified electrician or Miele Service.
<p>The coffee machine turns off suddenly.</p>	<p>The factory-set switch-off time (20 minutes) or the switch-off time you have programmed has been reached.</p> <ul style="list-style-type: none"> ■ If required, you can select a new switch-off time (see “Settings – Timer”).
	<p>The plug is not properly plugged into the electrical socket.</p> <ul style="list-style-type: none"> ■ Insert the plug into the electrical socket.
<p>The sensor buttons do not respond. The machine can no longer be operated.</p>	<p>There is an internal fault.</p> <ul style="list-style-type: none"> ■ Disconnect power by unplugging the power cord from the electrical outlet and or switching off the circuit breaker.
<p>The display is hard to see or not legible.</p>	<p>The display brightness has been set too low.</p> <ul style="list-style-type: none"> ■ Change this setting (see “Settings”).

Frequently asked questions

Problem	Possible cause and solution
<p>The water container is empty. Fill and replace the water container has not appeared in the display.</p>	<p>Droplets of water have settled between the water container and the side walls of the housing, or this area is damp (see illustration).</p>  <ul style="list-style-type: none"> ■ Dry the surfaces. Take the water container out to re-fill it with water. <p>There is too much residual water on the inside walls of the water container, e.g., a biofilm has developed. Or the water container has a build-up of limescale.</p> <ul style="list-style-type: none"> ■ Clean the water container every day.
<p>Fill and replace the water container appears in the display even though the water container is full and in the machine.</p>	<p>The water container is not in the correct position.</p> <ul style="list-style-type: none"> ■ Remove the water container and push it back in again. <p>The water container was not correctly filled up and inserted during descaling.</p> <ul style="list-style-type: none"> ■ Fill the water container to the descaling mark^{°S} and restart the descaling program.
<p>Fill and replace the water container appears after switching on even though the container is filled and installed in the machine. The appliance does not rinse.</p>	<p>The coffee machine needs descaling.</p> <ul style="list-style-type: none"> ■ Switch the coffee machine off with the On/Off button . Wait approx. 1 hour. ■ Switch the appliance back on again. As soon as Heating-up appears, tap the  sensor control and then select <i>Descal</i>. ■ Descal the coffee machine.

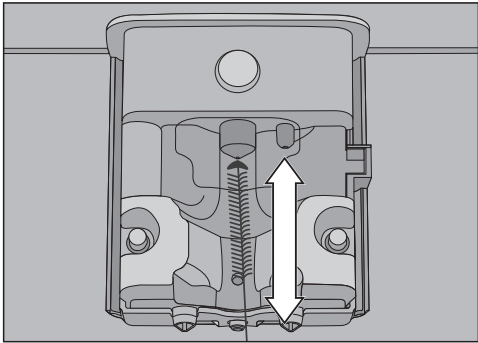
Frequently asked questions

Problem	Possible cause and solution
<p>After switching on the machine, the message Empty the drip tray and the waste container appears even though they are both empty.</p>	<p>This is not a fault. When the drip tray and waste container are emptied, the internal counter is not reset after the coffee machine has been switched off. Empty the drip tray and the waste container appears in the display even though the drip tray and the waste container are not filled to the maximum.</p>
<p>Neither milk nor milk froth comes out of the main dispenser.</p>	<p>The milk pipework is blocked. <ul style="list-style-type: none"> ■ Clean the main dispenser, taking particular care to clean the Cappuccinatore and milk pipework carefully with the cleaning brush. </p>
<p>Empty the drip tray and the waste container appears in the display, even though the drip tray has been emptied.</p>	<p>This is not a fault. The drip tray was not properly removed and/or replaced too quickly.</p>
<p>Empty the drip tray and the waste container appears in the display even though both are fitted.</p>	<p>The drip tray is not correctly fitted and is therefore not detected. <ul style="list-style-type: none"> ■ Empty the drip tray and grounds container. Re-assemble all parts and push the drip tray back as far as it will go in the coffee machine. </p>
<p>The drip tray or the grounds container is too full or runs over although the drip tray and the grounds container were emptied after each message on the display.</p>	<p>This is not a fault. The drip tray and grounds container were probably removed or the appliance was opened without the drip tray and grounds container being emptied. When the drip tray is removed or the appliance opened, the internal counter for emptying the drip tray and grounds container is automatically reset. <ul style="list-style-type: none"> ■ Remove the drip tray and grounds container from the appliance and empty them. </p>

Frequently asked questions

Problem	Possible cause and solution
<p>Fill the bean container appears in the display even though the bean container has just been filled.</p>	<p>This is not a fault.</p> <ul style="list-style-type: none"> ■ Confirm the message with <i>OK</i>. <p>Insufficient coffee beans are getting into the grinder. Have you used a dark roast? This type of coffee bean is often oily. These oils can cling to the inside of the coffee bean container and hinder the flow of beans.</p> <ul style="list-style-type: none"> ■ Make a coffee and observe whether the coffee beans drop into the coffee bean container. ■ Clean the coffee bean container more often if you are using a darker, more oily bean. <p>Try other types of coffee bean which are less oily.</p>
<p>The coffee machine does not rinse itself when turned on.</p>	<p>This is not a fault.</p> <p>If the coffee machine is already at operating temperature, rinsing will not take place when the appliance is switched on.</p>
<p>Coffee dispensing is repeatedly interrupted and the message Fill the bean container appears in the display.</p>	<p>This is not a fault.</p> <p>The brew unit has not detected the ground coffee. Certain types of coffee produce a small amount of coffee when they are ground. Usually the grinder is set to fine and the amount is set to minimum.</p> <ul style="list-style-type: none"> ■ Confirm the message with <i>OK</i>. <p>If the coffee is too strong for you or tastes bitter, try a different type of coffee bean.</p> <p>If the display appears with all types of coffee:</p> <ul style="list-style-type: none"> ■ Set the grinder to a coarser setting (see “Grinder setting”). ■ Select a larger amount of coffee. <p>Don’t forget to check any drinks changed in “Profiles”.</p> <p>If the message only appears when dispensing certain drinks:</p> <ul style="list-style-type: none"> ■ Check the amount of coffee set for this drink (see “Amount of coffee”). Select a larger amount of coffee. ■ You may also need to set a coarser grinder setting.

Frequently asked questions

Problem	Possible cause and solution
<p>The descaling process was started inadvertently.</p>	<p>The descaling program cannot be stopped once <i>OK</i> has been tapped. It must now be completed through to the end. This is a security setting to fully descale the coffee machine. It ensure a long service life and that your coffee machine is functioning correctly.</p> <ul style="list-style-type: none"> ■ Descal the coffee machine (see “Descaling the machine”).
<p>The milk sputters when it is dispensed. Hissing noises can be heard when milk is being heated up or frothed. Although the milk should be frothed, only hot milk comes out of the main dispenser.</p>	<p>The milk temperature is too high. Good milk froth can only be achieved when cold milk (below 50°F/10°C) is used.</p> <ul style="list-style-type: none"> ■ Check the temperature of the milk. <p>The main dispenser with integrated Cappuccinatore is not correctly fitted and is taking in air. Or the spouts are blocked.</p> <ul style="list-style-type: none"> ■ Check whether the main dispenser is correctly assembled. Make sure that all parts are tightly connected to one another. ■ If necessary, clean the main dispenser. <p>The milk pipework, connections, or the intake tube on the milk flask are blocked.</p> <ul style="list-style-type: none"> ■ Clean all parts thoroughly. <p>The steam jet on the main dispenser has a blockage.</p>  <div style="border: 1px solid black; padding: 5px; margin: 10px 0;"> <p>Push the cleaning brush a maximum of 1 cm into the steam jet.</p> </div> <ul style="list-style-type: none"> ■ Clean the steam jet with the cleaning brush.

Frequently asked questions

Problem	Possible cause and solution
<p>Coffee grounds have settled on the lid of the drip tray and in the interior around the brew unit.</p>	<p>This is not a fault. The movement of the brew unit during the brewing process can cause some ground coffee to fall around it. The type of beans used, the fineness of the ground coffee, and the amount of coffee ground also affect the amount. Important! Clean the interior of the coffee machine regularly to prevent bacteria, etc. Check whether the amount of coffee is set too high.</p>
<p>The underside of the coffee bean container cover is very damp. Drops of water are visible.</p>	<p>A large number of drinks have been made one after the other and the ground coffee chute is not closed or not properly closed. Steam has risen up from the brew unit via the ground coffee chute and condensed under the cover.</p> <ul style="list-style-type: none"> ■ Replace the lid on the ground coffee chute making sure it is properly sealed.
<p>Water from making coffee has collected on the benchtop underneath the coffee machine.</p>	<p>This is not a fault. Water can get under the appliance when the drip tray is removed. Clean the surface underneath the coffee machine regularly.</p>
<p>The display lights up but the coffee machine does not heat up and no drinks are made. The coffee machine cannot be turned off.</p>	<p>The Demo mode for demonstrating the coffee machine in stores and showrooms has been activated.</p> <ul style="list-style-type: none"> ■ Deactivate Demo mode.

Frequently asked questions

Unsatisfactory results

Problem	Possible cause and solution
<p>The coffee is not hot enough.</p>	<p>The cup has not been pre-heated. The smaller the cup and the thicker its walls, the more important it is to pre-heat it.</p> <ul style="list-style-type: none"> ■ Pre-heat the cup with hot water, for example.
	<p>The brewing temperature is set too low.</p> <ul style="list-style-type: none"> ■ Set a higher brewing temperature.
	<p>The filters in the brew unit are blocked.</p> <ul style="list-style-type: none"> ■ Remove the brew unit and clean it by hand. ■ Degrease the brew unit.
<p>Heating-up is taking longer. The amount of water is no longer correct and the coffee machine is not performing properly. Coffee flows into the cup very slowly.</p>	<p>The coffee machine needs to be descaled.</p> <ul style="list-style-type: none"> ■ Descale the coffee machine.
<p>Coffee is not flowing out of the main dispenser. Or coffee is only being dispensed via one spout.</p>	<p>The main dispenser has a blockage.</p> <ul style="list-style-type: none"> ■ Rinse the coffee pipework (see “Cleaning and care – Rinsing the appliance”). ■ If there is still no coffee coming out, or coffee is only coming out of one side, clean the dispensing spouts with the cleaning brush.
<p>The consistency of the milk froth is unsatisfactory.</p>	<p>The milk temperature is too high. Good milk froth can only be achieved when cold milk (below 50°F/10°C) is used.</p> <ul style="list-style-type: none"> ■ Check the temperature of the milk in the milk flask.
	<p>The milk pipe is blocked.</p> <ul style="list-style-type: none"> ■ Clean the central spout and milk pipework with the brush.
<p>The coffee grinder makes a louder noise than usual.</p>	<p>The coffee bean container has become empty during the grinding process.</p> <ul style="list-style-type: none"> ■ Fill the coffee bean container with fresh beans.
	<p>There may be foreign objects such as plastic or stones in amongst the coffee beans.</p> <ul style="list-style-type: none"> ■ Switch the coffee machine off immediately. Contact the Technical Service department.

Frequently asked questions

Problem	Possible cause and solution
The coffee flows too quickly into the cup.	The grind level is too coarse. ■ Set the grinder to a finer setting (see “Setting the coffee grinder”).
The coffee is dispensed too slowly into the cup.	The brew unit is blocked. ■ Degrease the brew unit (see “Cleaning and care – Degreasing the brew unit and cleaning the interior”).
The crema on the coffee or espresso is not as it should be.	The coffee beans are no longer fresh. If roasted coffee beans are stored open for too long, the carbon dioxide gradually escapes from the coffee beans. The crema is no longer formed during dispensing. Of course, you can still use the coffee beans.

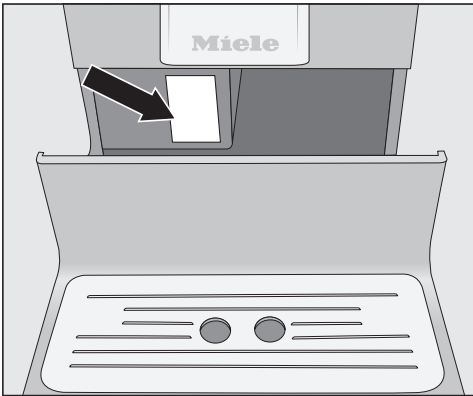
Contact in the event of a fault

In the event of a fault which you cannot remedy yourself, please contact your Miele dealer or Miele Customer Service.

You can book a Miele Service Call online at www.miele.com/service.

Contact information for Miele Customer Service can be found at the end of this document.

Please quote the model identifier and serial number of your appliance (SN) when contacting Miele Customer Service. Both pieces of information can be found on the data plate.



Appliance warranty and product registration

You can register your product and/or view the manufacturer's warranty terms and conditions for Miele appliances and vacuum cleaners at www.mieleusa.com.

Transport


If the coffee system will not be used for an extended period of time, e.g. vacation, or will be transported over a long distance, the appliance should be prepared as follows.

- Empty and clean the coffee bean container
- Empty and clean the water reservoir
- Evaporating the coffee system
- Clean the interior of the machine
- Pack the machine securely

Evaporating the coffee machine

The coffee machine should be evaporated before it is stored for a long period of time or transported any distance – particularly at temperatures below freezing.

Evaporating the coffee machine involves removing all traces of water from the system to prevent the risk of water and frost damage.

■ Switch the coffee machine on with the On/Off button .

■ Touch the  sensor button.


■ Touch the  sensor button twice.

Evaporate appears in the display.

■ Select Yes and confirm with OK.

■ Follow the instructions in the display.

Service and warranty

 Danger of burning and scalding at the spouts.

Hot steam can cause scalding.

Keep away from the area underneath the spouts when steam or hot liquids are being dispensed.

Do not touch hot components.

The evaporation process is finished when **Program finished** appears in the display and the display then goes out.

- Switch off the coffee machine and remove the plug from the electrical outlet to disconnect the appliance from the power supply.
- Clean the drip tray and grounds container.

Packing the coffee machine securely

Make sure the machine is clean and dry before packing the machine. Ground coffee residues can scratch the surfaces. In addition, coffee, milk, and water residues cause a build-up of bacteria.

Use the original packaging to pack the coffee machine.

Keep the operating instructions in the box. This means that you have them to hand if you want to reuse the coffee machine.

Technical data

Electricity consumption in standby mode (default setting):	≤ 0.3 W
Pump pressure:	Max. 15 bar
Through-flow heater:	1 stainless steel thermo block
Dimensions (W x H x D):	9 1/2" x 14 3/16" x 18 1/8" (241 x 360 x 460 mm)
Net weight:	21 lb (9.48 kg)
Power cord length:	3' 11 1/4" in (120 cm)
Water container capacity:	1.3 L
Bean container capacity:	200 g
Drip tray capacity:	0.8 L
Grounds container capacity:	Max. 7 portions of coffee grounds
Central spout:	Height adjustable between 3 1/8"-5 5/16" in (80–135 mm)
Grinder:	Steel conical grinder
Grinder setting:	Adjustable in 5 settings
Ground coffee amount:	Max. 0.4 oz (12 g)

Please have the model and serial number of your appliance available when contacting Customer Service.

U.S.A.

Miele, Inc.

National Headquarters

9 Independence Way
Princeton, NJ 08540
www.mieleusa.com

Customer Support

Phone: 888-99-MIELE (64353)
info@mieleusa.com

International Headquarters

Miele & Cie. KG
Carl-Miele-Straße 29
33332 Gütersloh
Germany

Canada

Importer
Miele Limited

Headquarters and Miele Centre

161 Four Valley Drive
Vaughan, ON L4K 4V8
www.miele.ca

Customer Care Centre

Phone: 1-800-565-6435
905-532-2272
contact@miele-support.ca

CM 5300, CM 5310, CM 5410, CM 5510, CM 5710

en-US, CA

M.-Nr. 12 920 600 / 04 / 002