

CPRU115S

Product family	Drawer
Commercial height	14 cm
Type	Warming drawer



Aesthetic

Aesthetics	Linea	Stainless steel type	Brushed
Color	Silver	Front panel	Full-glass
Finishing	Silver	Logo	Silkscreened
Material	Glass	Logo position	External

Controls

Control setting type	Control knobs	Control knobs	Standard
No. of controls	1	Control color	Stainless steel effect

Technical Features

Opening mechanism	Push-pull	Capacity	21 l
Base material	Stainless steel	Type of heating	Fan-assisted
Max weight allowance	15 kg	Included accessories	Silicone antislip mat
Maximum drawer loading weight	85 kg		

Electrical Connection

Plug	(B) USA 120V	Voltage	110 V
Nominal power	400 W	Frequency (Hz)	50-60 Hz
Current	2 A		

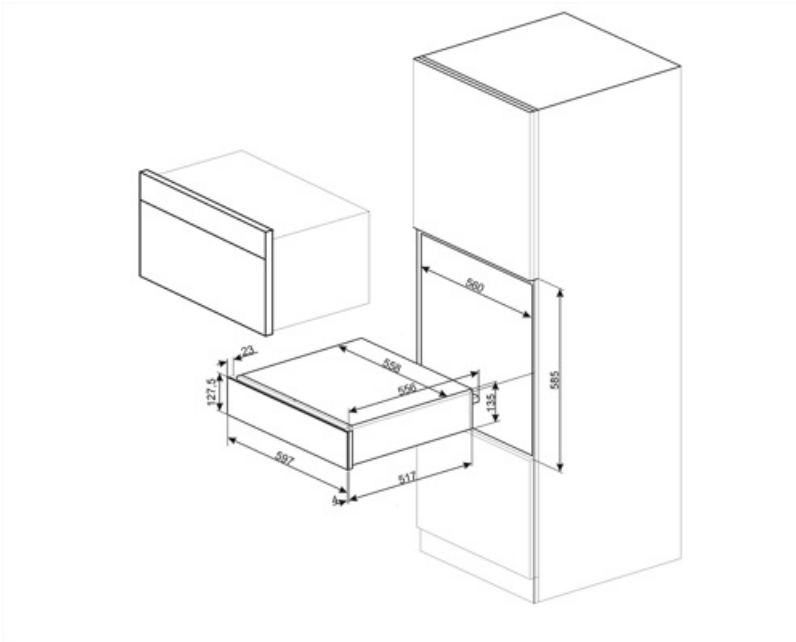
Logistic Information

Width
Depth

23 1/2 "
21 3/16 "

Height

5 5/16 "



Benefit (TT)

Steel base

Presence of non-slip silicone mat; removable and useful for placing dishes without them slipping, to avoid soiling the base of the drawer and to prevent scratches.

Push-pull door opening

With a simple push, the drawer opens and then closes again by pushing it back.