

CPRU330X

Product family	Drawer
Commercial height	26 cm
Type	Warming drawer



Aesthetic

Aesthetics	Classic	Stainless steel type	Brushed
Color	Stainless steel	Handle	Classic
Finishing	Fingerprint-proof	Logo	Silkscreened
Material	Stainless steel	Logo position	Inside

Controls

Control setting type	Control knobs	Control knobs	Standard
Type of temperature control	Electro-mechanic	Control color	Stainless steel effect
No. of controls	1		

Technical Features

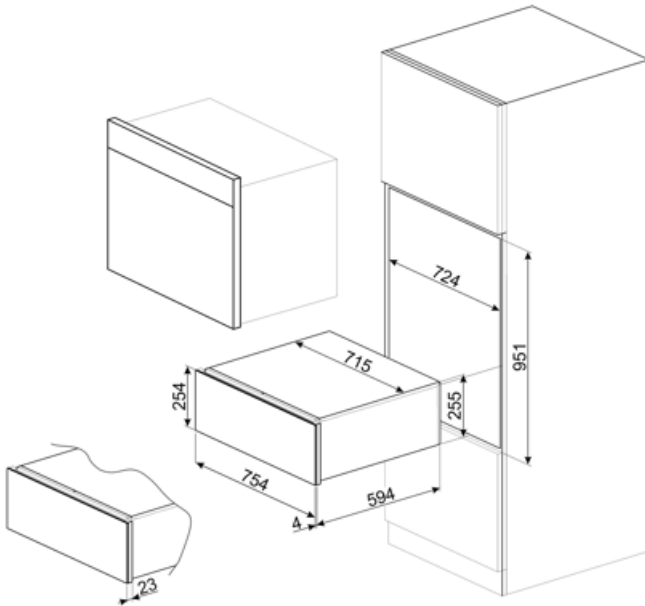
Opening mechanism	With handle	Capacity	56 l
Base material	Stainless steel	Type of heating	Fan-assisted
Max weight allowance	15 kg	Included accessories	Rack, Silicone antislip mat
Maximum drawer loading weight	235 kg		

Electrical Connection

Plug	(B) USA 120V	Voltage	115 V
Nominal power	800 W	Frequency (Hz)	60 Hz
Current	7 A		

Logistic Information

Width	28 1/8 "	Height	10 1/16 "
Depth	24 7/16 "		



Benefit (TT)

Functions available

Functions can be selected directly from the knob: keep warm, reheating, defrost, dish warmer, proofing and mug warmer

Steel base

Presence of non-slip silicone mat; removable and useful for placing dishes without them slipping, to avoid soiling the base of the drawer and to prevent scratches.