

Commercial 19 Electric Dryer

Installation instructions for your new

Before you begin - Read these instructions completely and carefully.

IMPORTANT - Save these instructions for local inspector's use.

IMPORTANT - OBSERVE ALL GOVERNING CODES AND ORDINANCES.

Note to Installer - Be sure to leave these instructions with the Consumer.

Note to Consumer - Keep these instructions with your Owner's Manual for future reference.



WARNING - POTENTIAL FIRE AND SHOCK HAZARD

- Use only rigid metal or flexible metal 4" diameter ductwork for exhausting to the outdoors. Never use plastic or other combustible ductwork.
- This appliance must be properly grounded and installed as described in these instructions.
- Do not install or store appliance in an area where it will be exposed to water/weather.
- The National Fuel Gas Code restricts installations of gas appliances in garages. They must be 18" off the ground and protected by a barrier from vehicles.

Important

- Exhausting the dryer to the outdoors is strongly recommended to prevent large amounts of moisture and lint from being blown into the room.
- Service information and wiring diagram located in control console.

Tools you will need

Slip joint pliers
Screwdrivers
3/8" nut driver

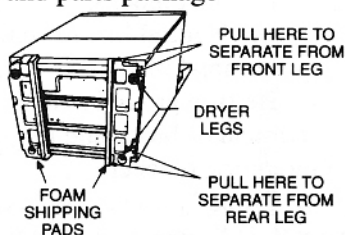
Installation

Step 1

Remove and save literature and parts package from dryer drum

Step 2

Lay carton corner posts or two 2"x4" boards on floor. Lay dryer on its back.



Step 3

Remove foam shipping pads by pulling at sides and breaking away from dryer legs. Be sure to remove all foam pieces from around legs.

Step 4

Stand dryer upright

Step 5

Move dryer to desired operating location.

Step 6

Adjust leveling legs to match washer height. Dryer must be level and rest firmly on all four leveling legs.

Step 7

Connect to power supply. (See **ELECTRICAL CONNECTION INFORMATION** section of this instruction.)

Step 8

Connect external exhaust or deflector. (See **EXHAUST INFORMATION** section of this instruction.)

Step 9

Check for proper operation.

Step 10

Place Owner's manual and installation instructions in a location where they may be found by the customer.

Electrical Connection Information

⚠ WARNING: TO REDUCE THE RISK OF FIRE, ELECTRIC SHOCK, OR PERSONAL INJURY.

- **DO NOT USE AN EXTENSION CORD WITH THIS APPLIANCE.**
- **THIS APPLIANCE MUST BE PROPERLY GROUNDED.**

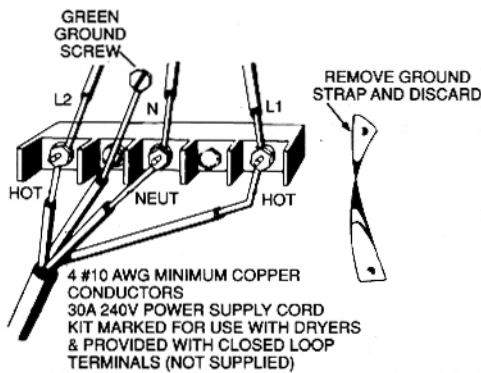
Dryer must be electrically grounded in accordance with local codes and ordinances, or in the absence of local codes, in accordance with the NATIONAL ELECTRICAL CODE, ANSI/NFPA NO. 70.

Electrical requirements:

- This dryer must be connected to an individual branch circuit, protected by the required time-delay fuses or circuit breakers. 208V or 240V installation 30 amps.
- If the electric supply does not meet the above specifications, call a licensed electrician.

Connecting Dryer Using 4-Wire Connection (Must Be Used For Mobile Home Installation)

NOTE: Effective January 1, 1996: The National Electric Code requires that new construction (not existing) utilize a 4 wire connection to an electric dryer.



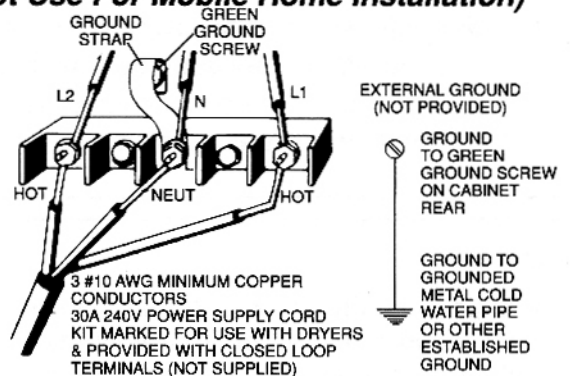
1. Remove the access plate near the cord set entry hole.
2. Remove and discard ground strap and nut securing ground strap.
3. Bring power supply through cord set entry hole.

CAUTION: DO NOT REMOVE INNER NUTS ON TERMINAL BLOCK TO ASSEMBLE POWER SUPPLY.

4. Using second set of nuts supplied, connect power supply as follows:
 - A. 2 hot lines to outer studs (brass colored) of terminal blocks.
 - B. Neutral line to center stud (silver colored) of terminal block.
5. Attach ground wire of the power supply to the green grounding screw above terminal block.
6. Properly secure cord set or cable to the entry hole with U.L. recognized strain relief.
7. Replace access plate.
 - Typical 30 amp receptacle



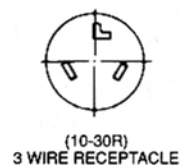
Connecting Dryer Using 3-Wire Connection (Do Not Use For Mobile Home Installation)



1. Remove the access plate near the cord set entry hole.
2. Bring power supply through cord set entry hole.

CAUTION: DO NOT REMOVE INNER NUTS ON TERMINAL BLOCK TO ASSEMBLE POWER SUPPLY.

3. Using second set of nuts supplied, connect power supply as follows:
 - A. 2 hot lines to outer studs (brass colored) of terminal blocks.
 - B. Neutral line to center stud (silver colored) of terminal block.
4. Be sure ground strap is connected to neutral (center) terminal of block and to ground screw on block mounting bracket.
5. Properly secure cord set or cable to the entry hole with U.L. recognized strain relief.
6. Replace access plate.
 - Typical 30 amp receptacle



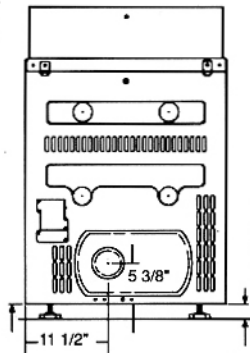
Exhaust Information

⚠ WARNING: TO REDUCE THE RISK OF FIRE AND PERSONAL INJURY:

- Use only metal duct for exhausting dryer to outdoors.
- Do not terminate exhaust in a chimney, any gas vent, under an enclosed floor (crawl space), or into an attic. The accumulated lint could create a fire hazard.
- Provide an access for inspection and cleaning of the exhaust system, especially at turns. Inspect and clean at least once per year.
- Never terminate the exhaust into a common duct with a kitchen exhaust. The combination of lint and grease could create a fire hazard.
- Do not obstruct incoming or exhausted air.

Rear Exhaust Location

This dryer comes ready for rear exhausting.



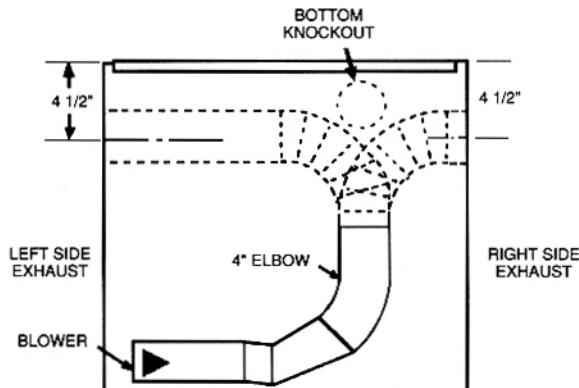
NOTE: ADD TO VERTICAL DIMENSION DISTANCE DRYER BASE IS OFF FLOOR.

Steps to Change Dryer to Side or Bottom Exhaust

1. Remove rear access panel.
2. Remove duct extension back to blower housing.
3. Remove left side or bottom knockout and install a WE14X70 transition and a standard 4" adjustable metal elbow.

NOTE: Only metal duct may be used inside the dryer cabinet.

4. Replace rear access panel.



Exhaust Length

The MAXIMUM ALLOWABLE length of the exhaust system depends upon the type of duct, number of turns, the type of exhaust hood (wall cap), and all conditions noted below. The maximum allowable length for both rigid and flexible metal duct is shown in the table below. More than two 90° turns are not recommended.

FOR ELECTRIC DRYER ONLY	RECOMMENDED MAXIMUM LENGTH			
	Weather Hood Type			
	Recommended		Use only for short run installations	
No. of 90° elbows	Rigid	Flexible Metal	Rigid	Flexible Metal
0	90 Feet	55 Feet	60 Feet	45 Feet
1	60 Feet	40 Feet	45 Feet	30 Feet
2	45 Feet	30 Feet	35 Feet	20 Feet
3	35 Feet	20 Feet	25 Feet	15 Feet
4	25 Feet	15 Feet	15 Feet	10 Feet

* Do not use non metallic flexible duct.

Hood or Wall Cap

- Terminate in a manner to prevent back drafts or entry of birds or other wildlife.
- Termination should present minimal resistance to the exhaust airflow and should require little or no maintenance to prevent clogging.
- Never install screen over exhaust duct.
- Wall caps must be installed at least 12" above ground level or any other obstruction with the opening pointed down.
- If roof vents or louvered plenums are used, they must be equivalent to a 4" dampered wall cap in regard to resistance to airflow, prevention of back drafts and maintenance required to prevent clogging.

Separation of Turns

For best performance, separate all turns by at least 4 ft. of straight duct, including distance between last turn and dampered wall cap.

Turns Other Than 90°

- One turn of 45° or less may be ignored.
- Two 45° turns should be treated as one 90°.
- Each turn over 45° should be treated as one 90°.

Sealing of Joints

- All joints should be tight to avoid leaks. The male end of each section of duct must point away from the dryer.
- Do not assemble the duct work with fasteners that extend into the duct. They will serve as a collection point for lint.
- Duct joints can be made air and moisture-tight by wrapping the overlapped joints with duct tape.

Exhaust Information (cont.)

Insulation

- Ductwork which runs through an unheated area or is near an air conditioning duct should be insulated to reduce condensation and lint build up.

Parts Available from Local Service Organization

• Rigid Metal Duct Components

- 4" X 1' Duct
- 4" X 2' Duct
- 4" Elbow
- 4" Aluminum Hood
- Exhaust Deflector

• Flexible Metal Duct Components

Kit WX8X66 7' Aluminum duct, 4" hood and 2 clamps.

- 7' Aluminum Flexible Duct
- 4" Clamps (2)
- 4" Aluminum Hood
- UL-Listed clothes dryer transition duct.

Inside Exhausting

NOTE: MOBILE HOME, BEDROOM, BATHROOM, ALCOVE OR CLOSET INSTALLATIONS MUST BE EXHAUSTED TO THE OUTDOORS.

OTHER INSTALLATION: If the installation makes it impossible to exhaust to the outdoors, a 4" exhaust deflector (WE25X28) must be installed. A clearance of 8" is required between rear of dryer and the wall, and deflector should be pointing up.

NOTE: EXHAUSTING TO THE OUTDOORS IS STRONGLY RECOMMENDED. EXHAUSTING INDOORS MAY CAUSE LINT ACCUMULATION, AND MOISTURE DAMAGE INCLUDING MOLD AND MILDEW.

Special Installation Requirements

Alcove or Closet Installation

- If your dryer is approved for installation in an alcove or closet it will be stated on a label on the dryer back.
- The dryer must be exhausted to the outdoors.
- Minimum clearances between dryer cabinet and adjacent walls or other combustible surfaces are:
 - 0" clearance either side
 - 3" front and rear
- Minimum vertical space from floor to overhead cabinets, ceilings, etc. is 52".
- Closet doors must be louvered or otherwise ventilated and must contain at least 60 square inches open area equally distributed. If this closet contains both a washer and a dryer, doors must contain 120 square inches of open space equally distributed.

Mobile or Manufactured Home Installation

- Installation must conform to Manufactured Home Construction and Safety Standard, Title 24 CFR, Part 32-80.
- The dryer must be exhausted to the outdoors with the termination securely fastened to the mobile home structure. (See EXHAUST INFORMATION section).
- The exhaust **MUST NOT** be terminated beneath the mobile home.
- The exhaust material **MUST BE METAL**.
- For Electrical Connections see "CONNECTING DRYER USING 4-WIRE CONNECTIONS".

SERVICING: Consideration must be given to provide adequate clearances for installation and servicing.



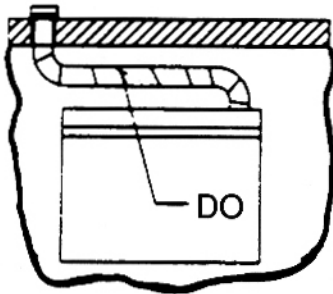
CAUTION: Label all wires prior to disconnection when servicing controls. Wiring errors can cause improper and dangerous operation (verify proper operation after servicing/installation).

Additional Installation Instructions

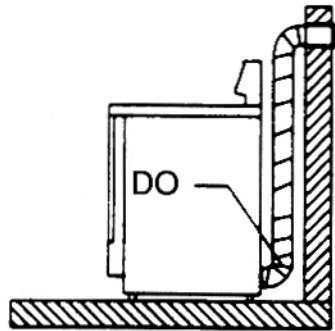
If all rigid metal duct cannot be used, then flexible all metal venting can be used, but it will reduce the maximum recommended duct length. In special installations when it is impossible to make a connection with the above recommendations, then UL listed **clothes dryer transition duct** may be used as transition venting between the dryer and wall connection only. The use of this ducting will affect dry time.

If **flexible** transition duct is necessary, only UL listed duct identified for use with clothes dryers is approved. The following directions **must be followed**.

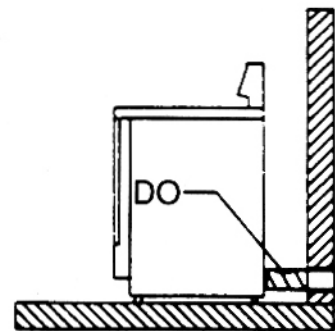
- Use the Shortest Length Possible.
- Stretch the Duct to its Maximum Length.
- Do Not Crush or Collapse.
- Never Use Transition Duct Inside the Wall, or Inside the Dryer.
- Avoid Resting the Duct on Sharp Objects.
- Venting Must Conform to Local Building Codes.



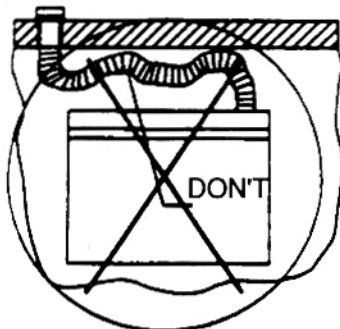
CORRECT



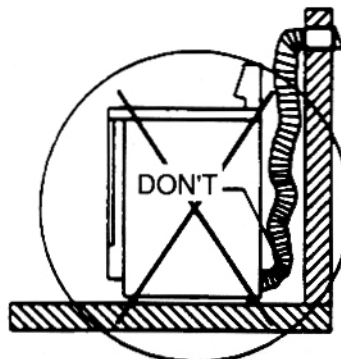
CORRECT



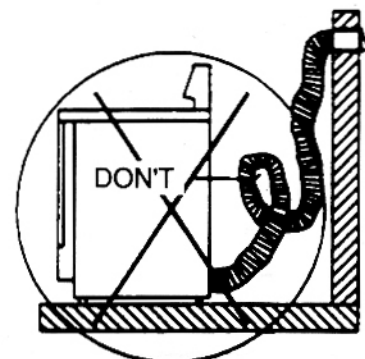
CORRECT



INCORRECT



INCORRECT



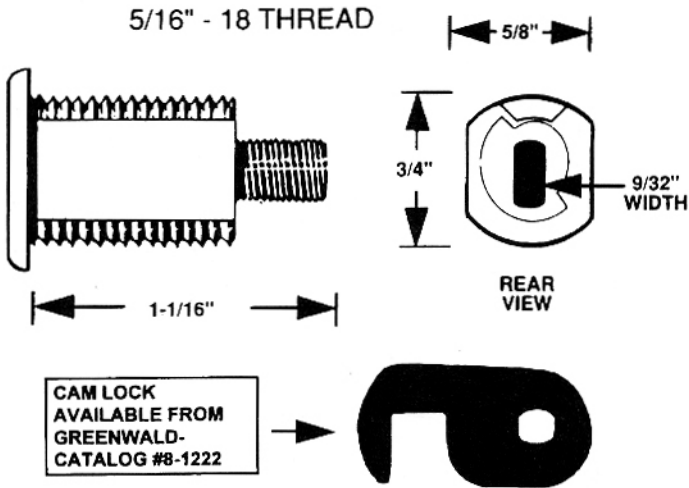
INCORRECT

NEVER USE PLASTIC OR OTHER COMBUSTIBLE DUCTWORK

SPECIAL INSTRUCTIONS

COVER SECURITY LOCK INSTALLATION

5/16" - 18 THREAD



Dryer cover is designed to accept stud type lock as shown.

To install lock:

1. Remove plastic insert in front of cover.
2. Install the lock washer on the lock shaft, and locate so that the lock can be engaged in a counterclockwise direction.
3. Insert lock mechanism into cover opening and tighten until snug.
(Overtightening may damage painted surfaces)
4. Install cam and tighten until snug.