

# 24-Inch Convection Microwave



**DCM24S** – Silver Stainless

## Features & Benefits

- Convection and microwave combination cooking
- Stainless steel interior
- Sensor technology
- Automatic start
- Automatic defrost
- Countertop or built-in installation

## Controls

<b>CONTROL TYPE</b>	Membrane Touch
<b>CLOCK</b>	Yes
<b>CHILD LOCK</b>	Yes

## Microwave Oven

<b>MICROWAVE CAPACITY (CU. FT.)</b>	1.5
<b>MICROWAVE POWER</b>	900W
<b>SENSOR COOK</b>	Yes
<b>CONVECTION</b>	Yes
<b>LIGHTING</b>	Halogen

## Weights & Dimensions

<b>SHIPPING WEIGHT (LBS.)</b>	60
<b>PRODUCT DIMENSIONS (W X H X D IN INCHES)</b>	24 7/8 x 14 7/8 x 19

## Technical Details

<b>ELECTRICAL REQUIREMENTS</b>	120V, 60 Hz, 15A
--------------------------------	------------------

## Warranty

<b>FULL COVERAGE</b>	2 Years
----------------------	---------

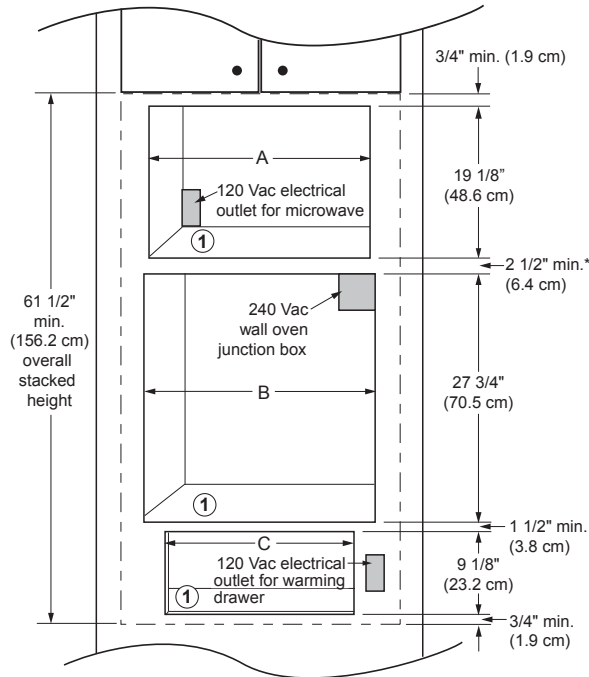
## Accessories (Optional)

<b>ADCMTK301S</b>	30" Trim Kit
-------------------	--------------

# 24-Inch Convection Microwave

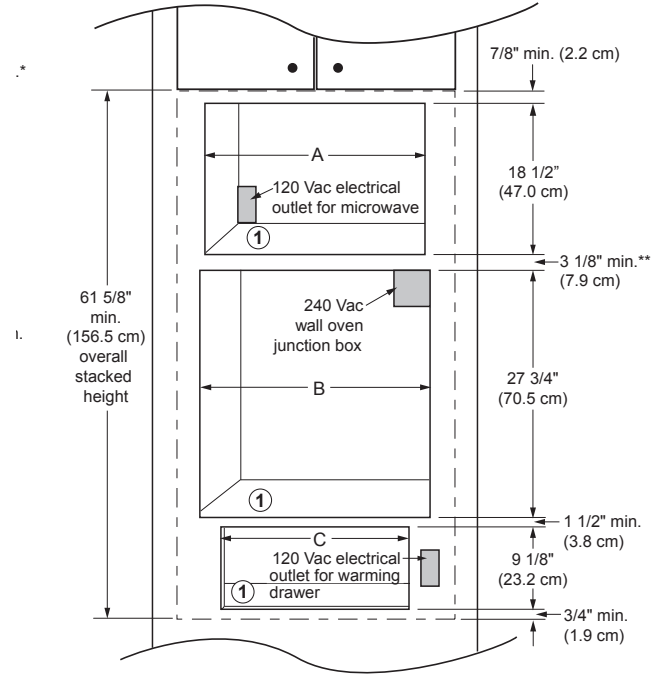


Cutout Dimensions	
<b>ADCMTK TRIM KIT CUTOUT WIDTH (IN/CM)</b>	28 1/4 / 71.8
<b>AOCTK TRIM KIT CUTOUT WIDTH (IN/CM)</b>	25 1/4 / 64.1



\* 3 1/2" (8.9 cm) recommended

**CUTOUT DIMENSIONS WITH ADCMTK MICROWAVE TRIM KIT**



\*\* 4 1/8" (10.5 cm) recommended

**CUTOUT DIMENSIONS WITH AOCTK MICROWAVE TRIM KIT**

## Product Dimensions

