



DOD561TXXLS.U

General description

Product line: Logic
Size: XXL
Number of baskets: 3
Number of place settings: 16 place settings
Top tray: Easy height adjustment; Handle; Removable
Upper basket type: Premium
Lower basket type: Premium
Removable cutlery basket for easy unloading
Color: Colour of stainless steel



Most Efficient
2025
www.energystar.gov



Construction

- Welded stainless steel container
- Exterior float - detects water leakage on the base
- Stand by water protection
- Anti-block drain pump
- 8 Steel™ Construction
- Hidden heater
- SCS+ - Super Cleaning System+™
- Number of spray arms: 3
- Number of spray zones: 7
- Automatic door opening
- Cutlery Power Zone - extra dishwashing power for the cutlery basket

Use and flexibility

- Number of place settings: 16 place settings
- Number of baskets: 3
- Top tray: Easy height adjustment; Handle; Removable
- Upper basket type: Premium
- Lower basket type: Premium
- Tight mesh base in the baskets
- Removable cutlery basket for easy unloading
- Required inlet water pressure: 0,03-1 MPa

Interaction & control

- Display Type: LCD display
- Ability to create own programs: Memory program
- Number of programs: 7
- Number of options: 6
- Time remaining indicator: Yes
- Cycle end indication: Displayed with sound and light

Programs

- 7 programs: Normal wash; Intensive program; Time program; Rinse and hold; Self-cleaning; Light wash; Sanitize
- Delayed start: 1-24 hours
- Speed mode
- Night mode
- Heat boost mode
- Normal mode

Design & integration

- Fixed high loop outlet hose
- Multi fit outlet hose
- Height setting: 1" (25 mm)

Safety & Maintenance

- Anti-tilt protection

- Aqua Safe™
 - Kid Safe™ - lockable controls
 - Rinse-aid indication: Notification in display
-

Technical data

- Hot or cold water connection - 9/16
 - Max. temperature of inflow water: 140 F
 - Noise level: 48 dB(A)
 - Duration of normal wash cycle: 125 min
 - Estimated annual energy consumption: 220 kWh
 - Energy consumption/cycle: 1 kWh
 - Estimated annual water consumption: 647 US Gal
 - Water consumption/cycle: 3 US Gal
 - Consumption in standby mode: 0.5 W
 - Connection rating: 1300 W
 - Number of phases: 1
 - Current: 15 A
 - Frequency: 60 Hz
 - Required inlet water pressure: 0,03-1 MPa
 - Net weight: 159 lbs
-

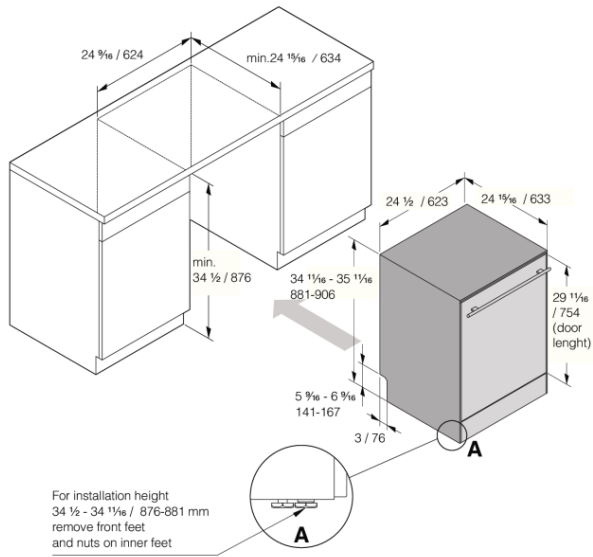
Dimensions

- Width: 24 1/2" (623 mm)
 - Height: 34 11/16" (881 mm)
 - Depth: 24 15/16" (633 mm)
 - Maximum product height: 35 11/16" (906 mm)
 - Cord length: 71 7/16" (1815 mm)
 - Depth with door open: 51 9/16" (1310 mm)
 - Length of inflow hose: 64 3/16" (1630 mm)
 - Length of outflow hose: 42 1/8" (1070 mm)
-

Logistic information

- Packaging width: 26 3/8" (670 mm)
 - Packaging height: 39 3/4" (1010 mm)
 - Packaging depth: 29 1/2" (750 mm)
 - Total weight of packaged product: 179 lbs
 - Code: 740110
 - EAN code: 3838782688058
 - Market: Domestic
 - Range: Logic
-

Measurements: inches / millimetres



DW60 Outdoor Dishwasher XXL USA

