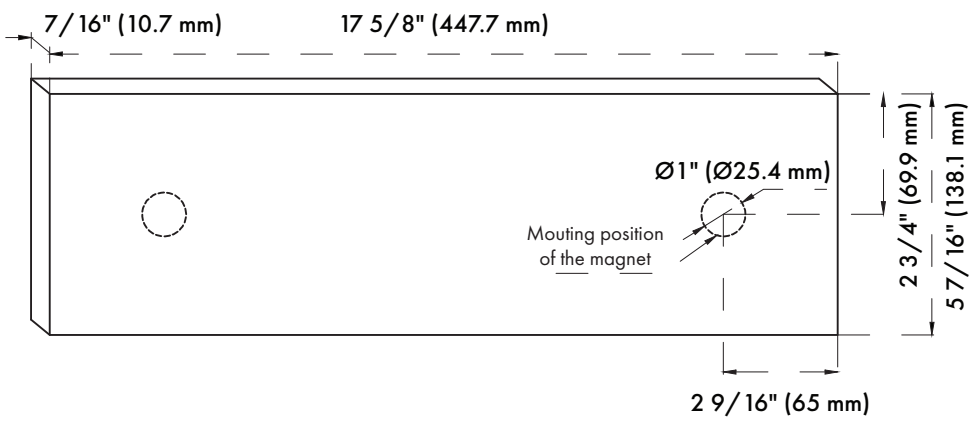
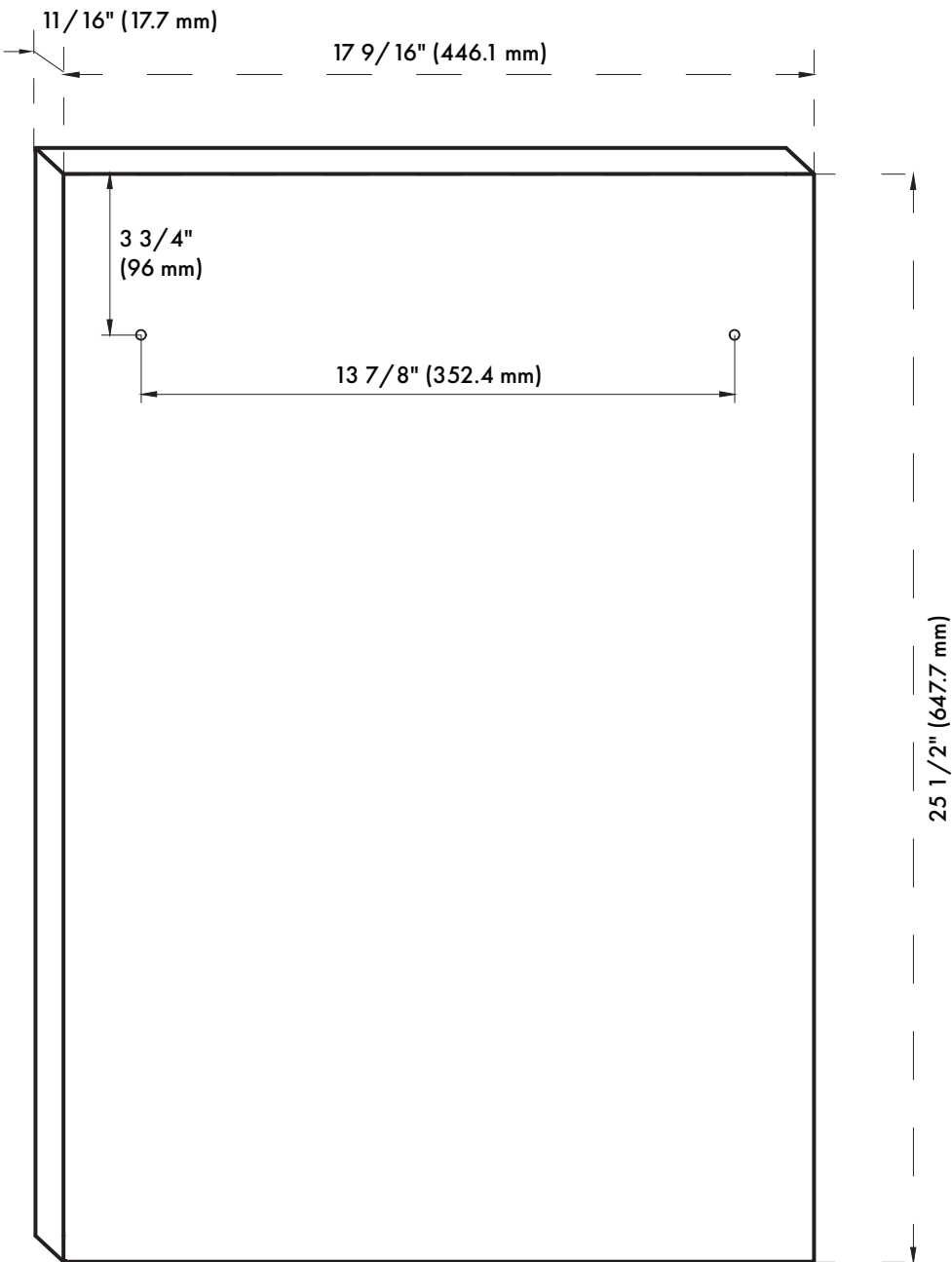
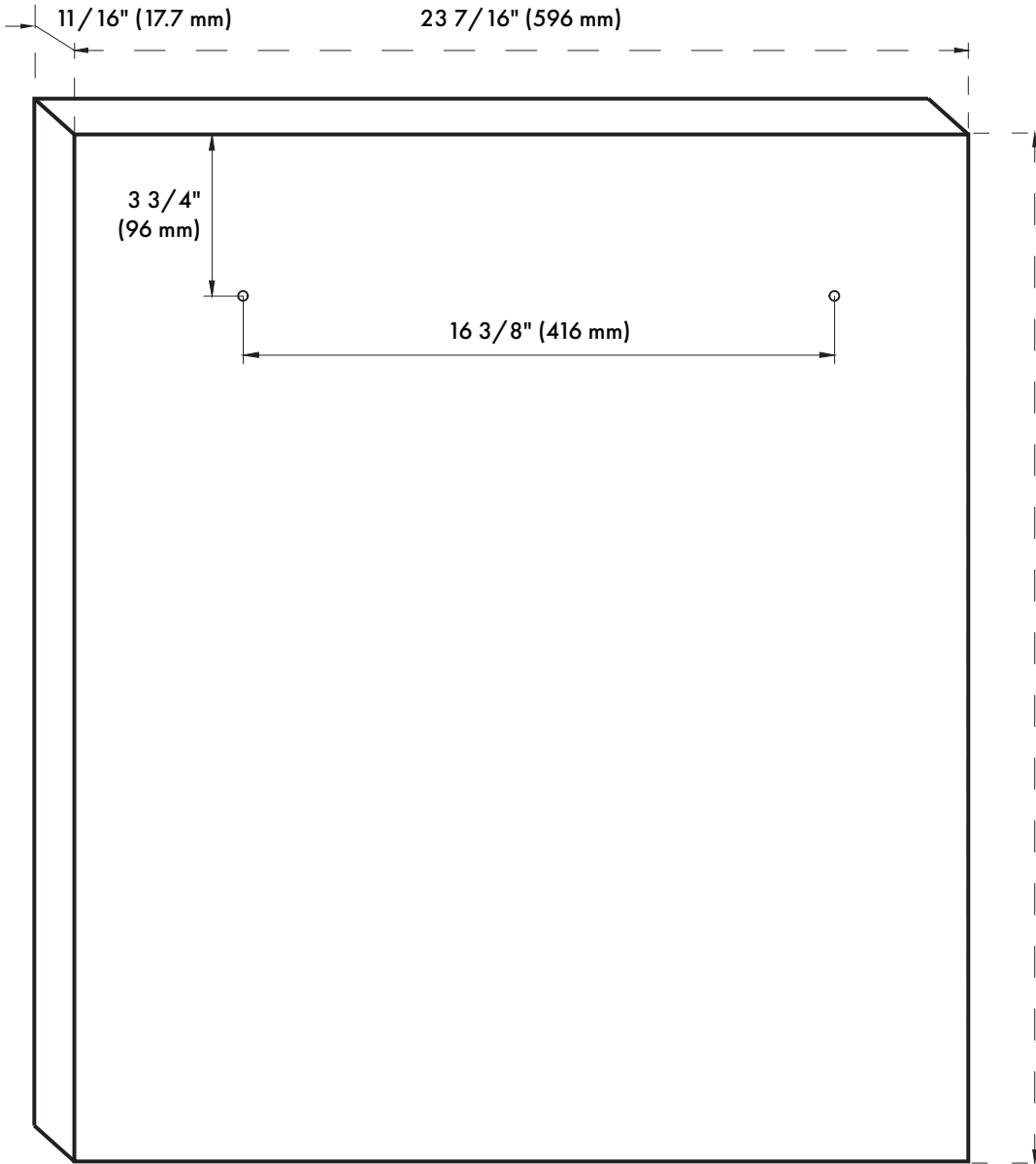
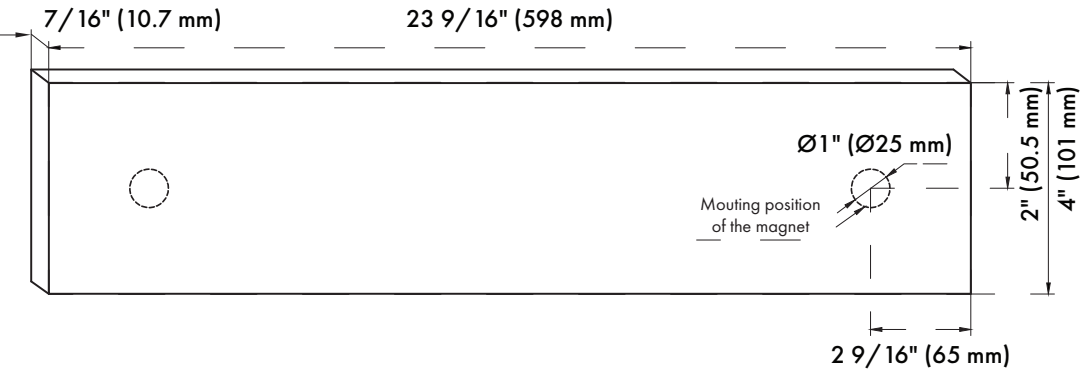


DWV-18
Front Panel & Kickplate Dimensions





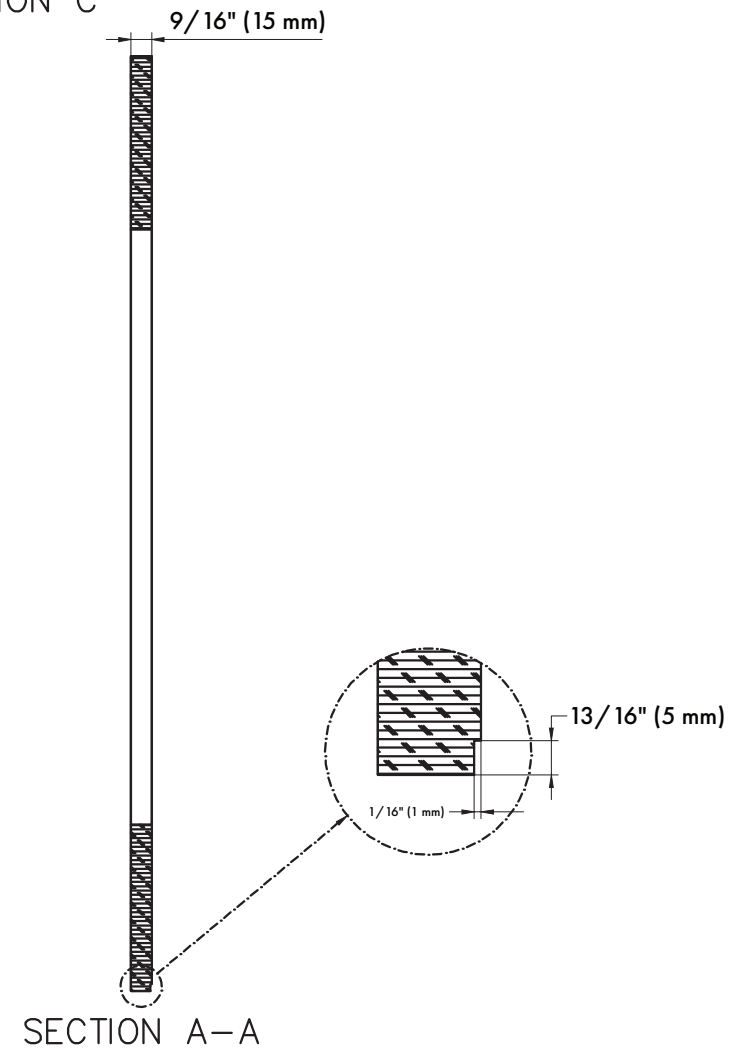
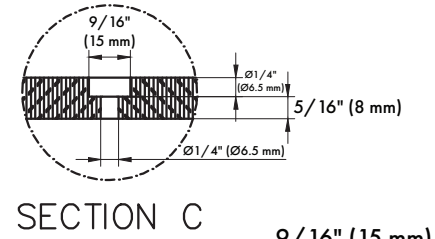
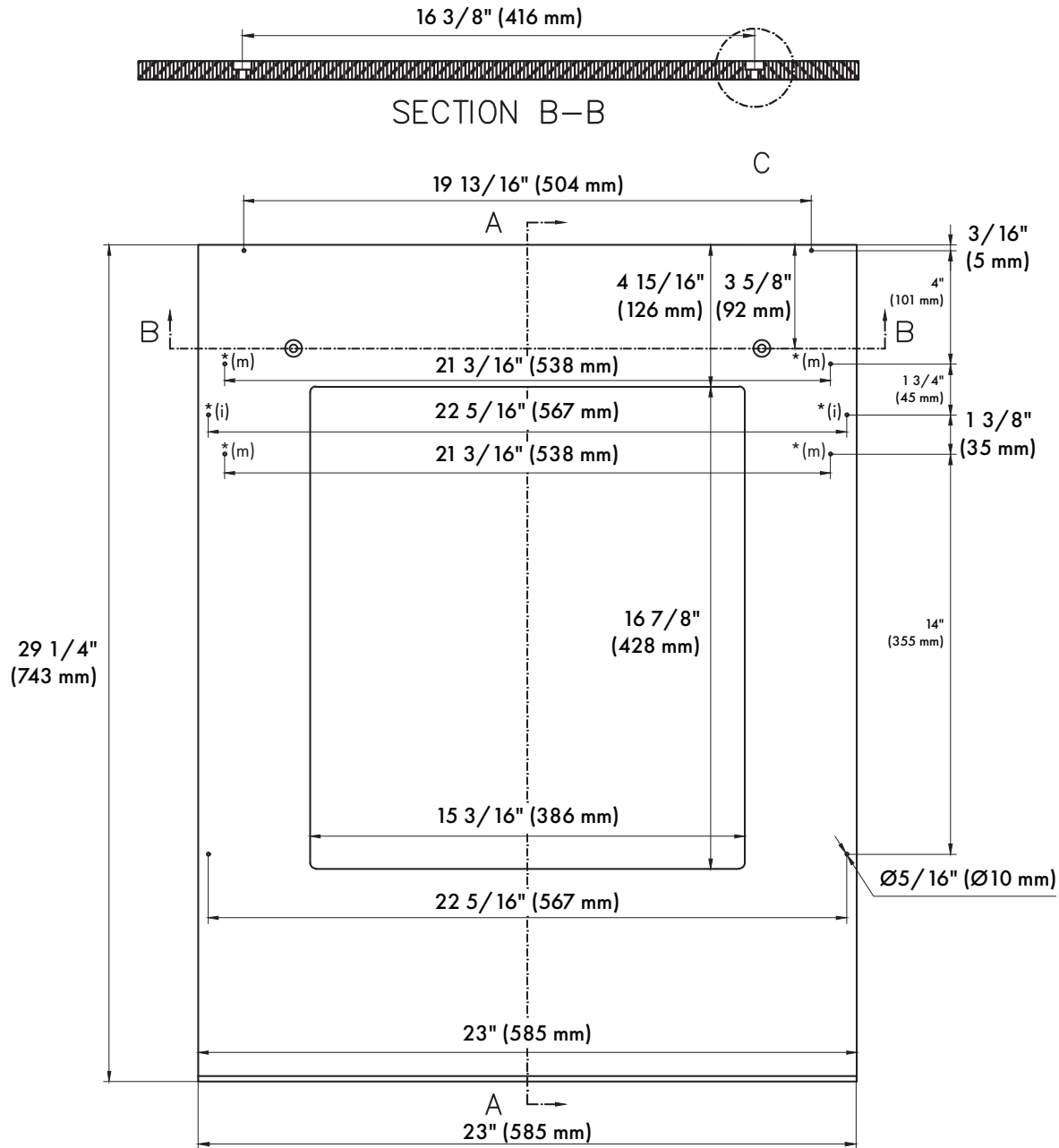
29 1/2" (750 mm)



Ø1" (Ø25 mm)
Mounting position
of the magnet

DWV-24
Back Panel & Kickplate Dimensions

Screws Required
(m) : Screws 5/32" x 19/32"
(i) : Screws 5/32" x 1 5/8"



DWV-24
Back Panel & Kickplate Dimensions

