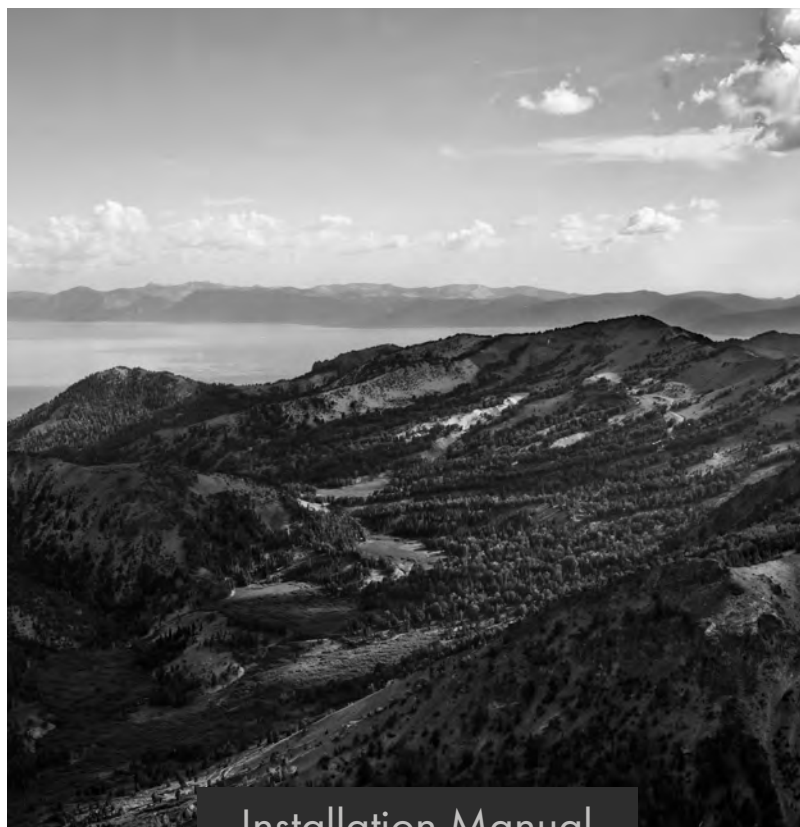


ZLINE

ATTAINABLE LUXURY[®]



Installation Manual

TALLAC DISHWASHERS DWV MODELS

zlinekitchen.com



ZLINE Kitchen and Bath provides Attainable Luxury, where the kitchen and bath of your dreams is never out of reach. Through our unique designs and unparalleled quality, we're dedicated to providing you an elevated experience in the heart of your home. With an endless selection of features and finishes, our inspiration is your reality.

ZLINE
ATTAINABLE LUXURY®



ZLINE is fueled by a passion for innovation; A relentless pursuit of bringing the highest end luxury designs and professional features into everyone's homes.

Because we continually strive to improve our products, we may change specifications and designs without prior notice.

Scan the QR code to view the most up-to-date version of the Installation Manual and User Manual.

⚠ WARNING: This product can expose you to chemicals including Diisononyl phthalate (DINP) which is known to the State of California to cause cancer. For more information go to www.P65Warnings.ca.gov.

TABLE OF CONTENTS

IMPORTANT SAFETY INSTRUCTIONS.....	1
BEFORE INSTALLATION.....	6
Electric Shock Hazard.....	6
Tools You May Need.....	7
Cutout Dimensions.....	10
INSTALLATION.....	11
Adjusting Height.....	12
Water Supply Connection.....	14
Steam Protection Foil.....	15
Installing the Dishwasher into the Cabinet Cutout.....	16
Drain Hose Connection.....	17
Adjusting the Kick Plate.....	20
Installer Checklist.....	26
WARRANTY.....	27

IMPORTANT SAFETY INSTRUCTIONS



WARNING

If the information in this manual is not followed exactly, a fire or explosion may result causing property damage, personal injury, or death.

When using the dishwasher, carefully follow the precautions in this manual. These are provided in order to save time and effort and to help ensure optimum dishwasher performance. Be sure to observe all listed warnings and cautions. Look carefully at **WARNING** icons with an exclamation mark inside.

WARNING:



WARNING

Indicates a potentially hazardous situation which, if not avoided, could result in death or serious injury.

CAUTION:



CAUTION

Indicates a potentially hazardous situation which, if not avoided, may result in injury. It may also be used to alert against unsafe practices.

NOTICE:



NOTICE

Indicates a potentially hazardous situation which, if not avoided, may result in damage to the dishwasher, the tableware, the equipment, or the environment.

IMPORTANT SAFETY INSTRUCTIONS

Read these safety instructions completely before installation and operation and follow them carefully. Save these instructions and pass them on to any future user.



- In addition to these instructions, the dishwasher shall be installed in accordance with all local codes, or in absence of a local code:
 - In the United States, with the National Electric Code ANSI/NPA70-latest edition.
 - In Canada, with the Canadian Electric Code C22.1-latest edition/Provincial and Municipal codes and/or local codes.

When installing the dishwasher, follow basic precautions, including:

- Please check the standards and local codes for dishwasher placement.
- Installation and repair should be performed by a qualified installer, such as an insured licensed plumber or contractor. Installation performed by non-professionals could be dangerous and result in improper installation and property damage, which may void the warranty.
- The information in this user manual must be followed to minimize the risk of fire or explosion and to prevent property damage, personal injury, or loss of life.
- To reduce the risk of electric shock, fire, or injury, the installer must ensure that the dishwasher is completely enclosed at the time of installation.
- Never connect the ground wire to gas lines, hot water pipes, or plumbing lines.
- Only connect the dishwasher to the power supply when all installation and plumbing work is complete.
- Before installation or service, disconnect the power supply to the work area by unplugging the unit, “tripping” the circuit breaker, or removing the fuse.
- If the dishwasher is installed in a location that experiences freezing temperatures (e.g. in a vacation home, cabin, etc.), drain all the water from the unit's interior if not using the unit for extended periods. Water system ruptures that occur as a result of freezing are not covered by warranty.
- The dishwasher must be secured to adjacent cabinetry using the brackets provided. Failure to do this may cause damage to property or bodily injury.
- Ensure that any plastic wrappings, bags, small pieces, etc., are disposed of safely and kept out of the reach of children to prevent risk of suffocation or other serious injury.

IMPORTANT SAFETY INSTRUCTIONS

- Remove the door to the washing compartment when removing an old dishwasher from service or discarding it. Ensure that the appliance presents no danger to children while being stored for disposal.
- The dishwasher drain hose must be installed with a drain loop at least 30" (762 mm) off the cabinet floor or an appropriate air gap device. Otherwise, the dishwasher may not drain properly.
- This dishwasher is intended for residential use only and should not be used in commercial establishments. This appliance is not applicable for outdoor usage. The manufacturer disclaims responsibility for damage or injury caused by improper use of this appliance.
- Do not operate the appliance if it's damaged, malfunctioning, partially disassembled, or has missing or broken parts. If the unit arrives damage, contact ZLINE at 1-614-777-5004 for help.
- If the dishwasher is a new installation, please note that most of the work must be done before the dishwasher is moved into place.
- If the dishwasher is replacing another dishwasher, check the existing dishwasher connections for compatibility with the new dishwasher and replace parts as necessary.
- Use only detergents or wetting agents recommended for use in a dishwasher and keep them out of the reach of children.
- The manufacturer reserves the right to make changes to its products when considered necessary and useful, without affecting the essential safety and operating characteristics.
- Refer to the Installation Manual provided with your dishwasher for additional installation details and safety measures.
- The serial number information is located on the right-hand side of the inner door of the dishwasher.

Example serial number label:



IMPORTANT SAFETY INSTRUCTIONS

- When loading items into the dishwasher:
 - Locate sharp items so that they are not likely to damage the door seal.
 - Load sharp knives with the handles up to reduce the risk of cut-type injuries.
- Do not wash plastic items unless they are marked “dishwasher safe” or the equivalent. For plastic items not marked, check the manufacturer’s recommendations.
- Do not touch the heating element during or immediately after use.
- Do not operate the dishwasher unless all enclosure panels are properly in place.
- Do not tamper with controls.
- Do not abuse, sit on, or stand on the door or dish rack of the dishwasher.
- The cup racks are designed to support cups, glasses, and kitchen utensils. When the cup racks are in the dishwasher, do not lean on or use the cup racks to support your body weight.
- Some dishwasher detergents are strongly alkaline. They can be extremely dangerous if swallowed. Avoid contact with the skin and eyes and keep children away from the dishwasher when the door is open.
- Consult Poison Control or a doctor if detergent has been swallowed or inhaled.
- Do not remove dishes from the appliance until the program is complete. Some detergent may remain on the dishes.
- Check that the detergent dispenser is empty after the completion of each wash program.
- Do not drink and play with the water in the appliance. Harmful residues could be present.
- To reduce the risk of injury, do not allow children to play in or on the dishwasher.
- Do not leave the appliance with the open door unattended to avoid stepping accidentally onto it.
- Do not use high pressure water sprays and/or steam to clean the appliance.
- Ensure that there are no visible water leaks during and after the first use of the appliance.
- To avoid floor damage and possible mold growth, do not allow wet areas to remain around or under the dishwasher.

IMPORTANT SAFETY INSTRUCTIONS



CAUTION

To avoid risk of injury, always use caution when opening the door during or following a wash cycle, as hot water or steam may escape.

- Do not store or use flammable liquids or vapors in the immediate surrounding area of the dishwasher or on the appliance.
- Under certain conditions, hydrogen gas may be produced in a hot-water system that has not been used for two weeks or more. **HYDROGEN GAS IS EXPLOSIVE.** If the hot-water system has not been used for such a period, before using the dishwasher, turn on all hot-water faucets and let the water flow from each for several minutes. This will release any accumulated hydrogen gas. As the gas is flammable, do not smoke or use an open flame during this time.
- Please check the water supply line periodically. It is susceptible to breakage. It becomes less flexible as time goes by. Replace it immediately when it is torn, cut, swollen, or if there is water leakage.
- Please keep the dishwasher packaging out of the reach of children after unpacking it.

RECYCLING

- Old appliances may contain materials that can be recycled. Please contact the local recycling authority about the possibility of recycling these materials.
- Remove the door to the washing compartment when removing an old dishwasher from service or discarding it. Ensure that the appliance presents no danger to children while being stored for disposal. Before disposing the dishwasher:
 - Disconnect the appliance from the main supply.
 - Cut off the main cable and discard it.
 - Remove the door catch to prevent children and pets from getting trapped in the appliance.

BEFORE INSTALLATION



ELECTRIC SHOCK HAZARD

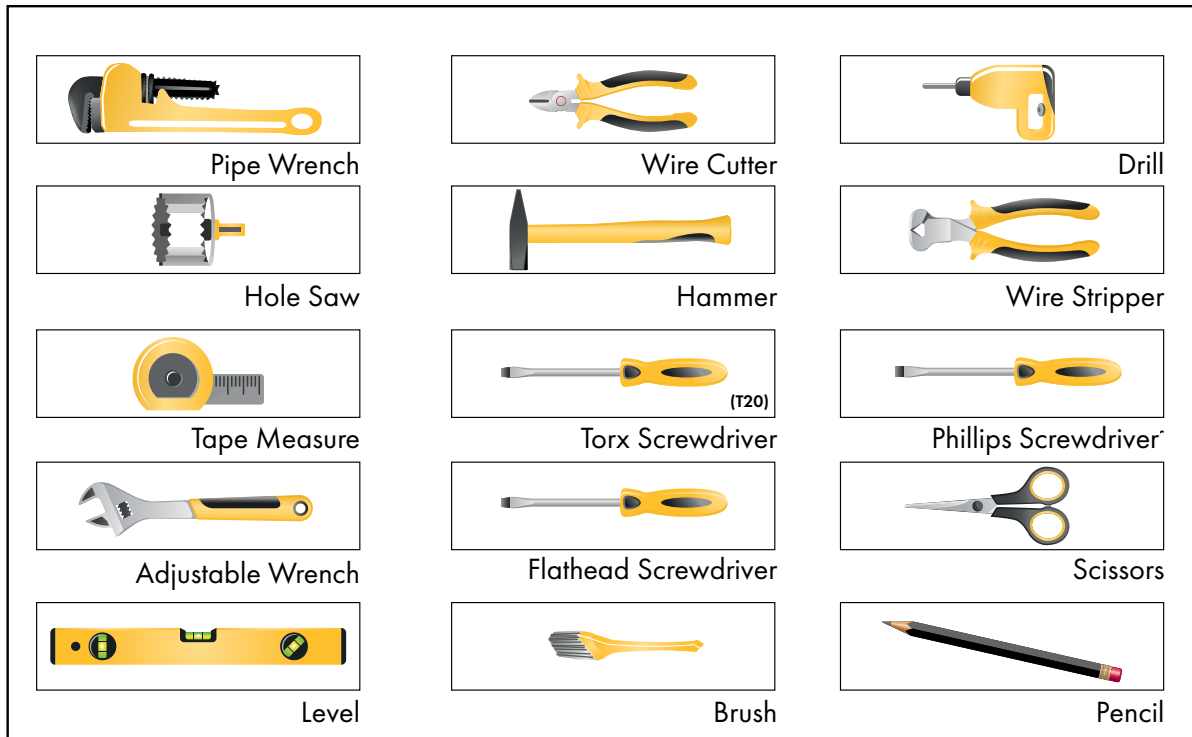
- Connect the dishwasher to a properly rated, protected, and sized power supply circuit to avoid electrical overload.
- The dishwasher is designed for a 120 VAC/60 Hz electrical supply connected to a dishwasher-dedicated, properly grounded, electrical circuit with a fuse or breakers rated for 15 amperes.
- Do not use any extension cord or portable outlet device to connect the dishwasher to a power supply. Using an extension cord may void the warranty.
- This appliance must be electrically grounded. In the event of a malfunction or breakdown, grounding will reduce the risk of electric shock by providing a path of least resistance for electric current.
- This appliance is equipped with a cord having an equipment-grounding conductor and a grounding plug. The plug must be plugged into an appropriate outlet that is installed and grounded in accordance with all local codes and ordinances.
- The manufacturer will not be responsible for any damage to property or to persons caused by incorrect installation, improper use of the appliance, or failure to heed the warnings listed.
- **IMPORTANT:** The installer should leave these instructions with the consumer who should retain for local inspectors' use and for future reference.



Improper connection of the equipment-grounding conductor can result in electric shock. Check with a qualified electrician or service representative if there is doubt whether the appliance is properly grounded. Do not modify the plug provided with the appliance. If it will not fit the outlet, have a proper outlet installed by a qualified electrician.

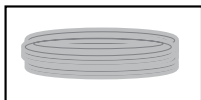
BEFORE INSTALLATION

TOOLS YOU MAY NEED

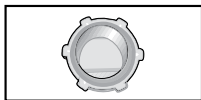


MATERIALS YOU MAY NEED:

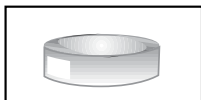
(Please note additional materials may be required to comply with local codes)



Hot Water Supply Line: Minimum 3/4" O.D. copper tubing or metal-braided dishwasher supply line



UL listed conduit connector or strain relief



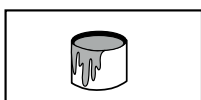
Teflon tape or other pipe thread compound to seal plumbing connections



Shut-off valve and fittings appropriate for hot water supply line (copper tubing/compression fitting or braided hose)








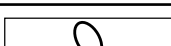
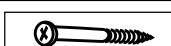
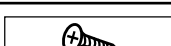




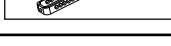


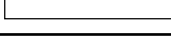

Silicone



Glue

BEFORE INSTALLATION

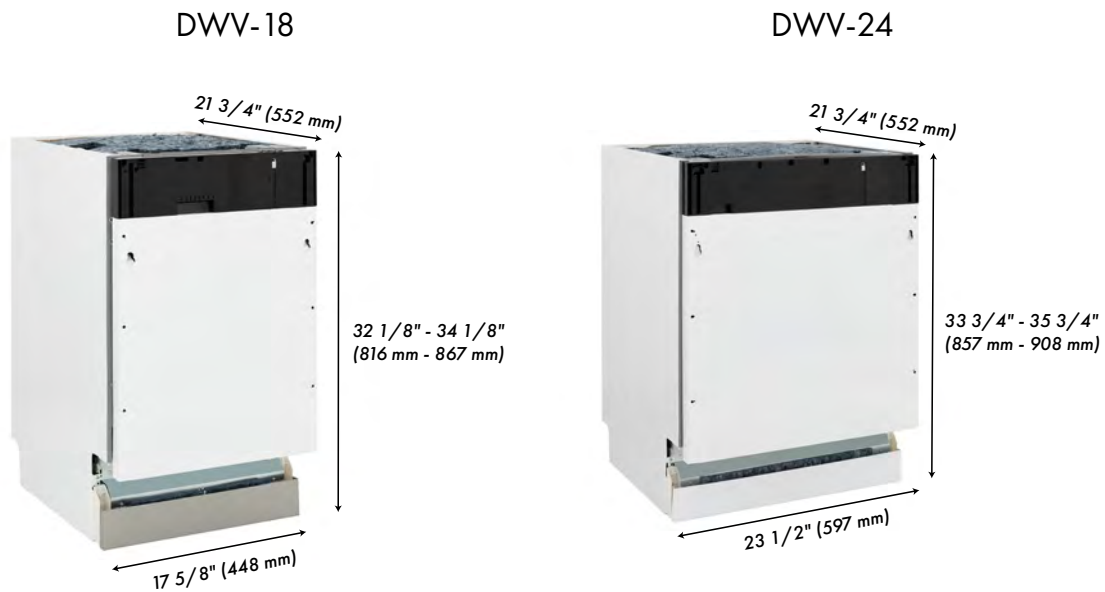
The parts required for installing the dishwasher are enclosed in plastic bags within this product's packaging. Check that all of the following parts are included.

NAME	IMAGE	QUANTITY
DISHWASHER PARTS BAG 1		
a. Hose Clamp		1
DISHWASHER PARTS BAG 2		
b. Installation Manual		1
c. Steam Protection Foil		2
d. Adhesive Panel Strip (Left)		1
e. Adhesive Panel Strip (Right)		1
f. Hole Covers		4
DISHWASHER PARTS BAG 3		
g. Screws 5/32" x 1 5/8"		6
h. Screws 5/32" x 19/32"		2
i. Mounting Bracket Left		1
j. Mounting Bracket Right		1
k. Mount Screws 5/32" x 27/32"		2
DISHWASHER PARTS BAG 4		
l. Kick Plate Bracket		2
m. Screws 5/32" x 7/32"		2
n. U-Clip		4
o. Adjustable Plinth Cover		1
p. Metal Back Plate		1
q. Stopper Pin		2

BEFORE INSTALLATION

PRODUCT DIMENSIONS

SPECIFICATIONS	
DWV-18 Dimensions (18" Model - Panel Ready)	<ul style="list-style-type: none">• 17 5/8" W x 21 3/4" D x 32 1/8" (min) - 34 1/8" (max) H• 448 mm W x 552 mm D x 816 mm (min) - 867 mm (max) H
DWV-24 Dimensions (24" Model - Panel Ready)	<ul style="list-style-type: none">• 23 1/2" W x 21 3/4" D x 33 3/4" (min) - 35 3/4" (max) H• 597 mm W x 552 mm D x 857 mm (min) - 908 mm (max) H

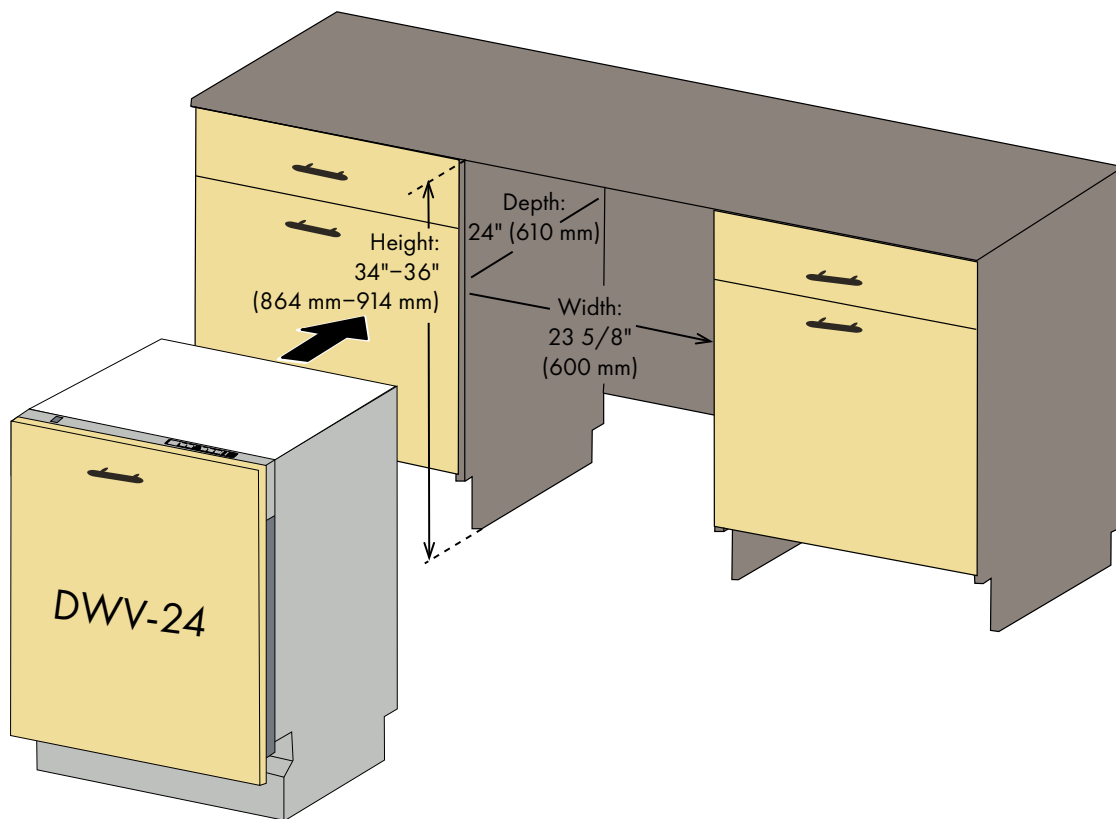
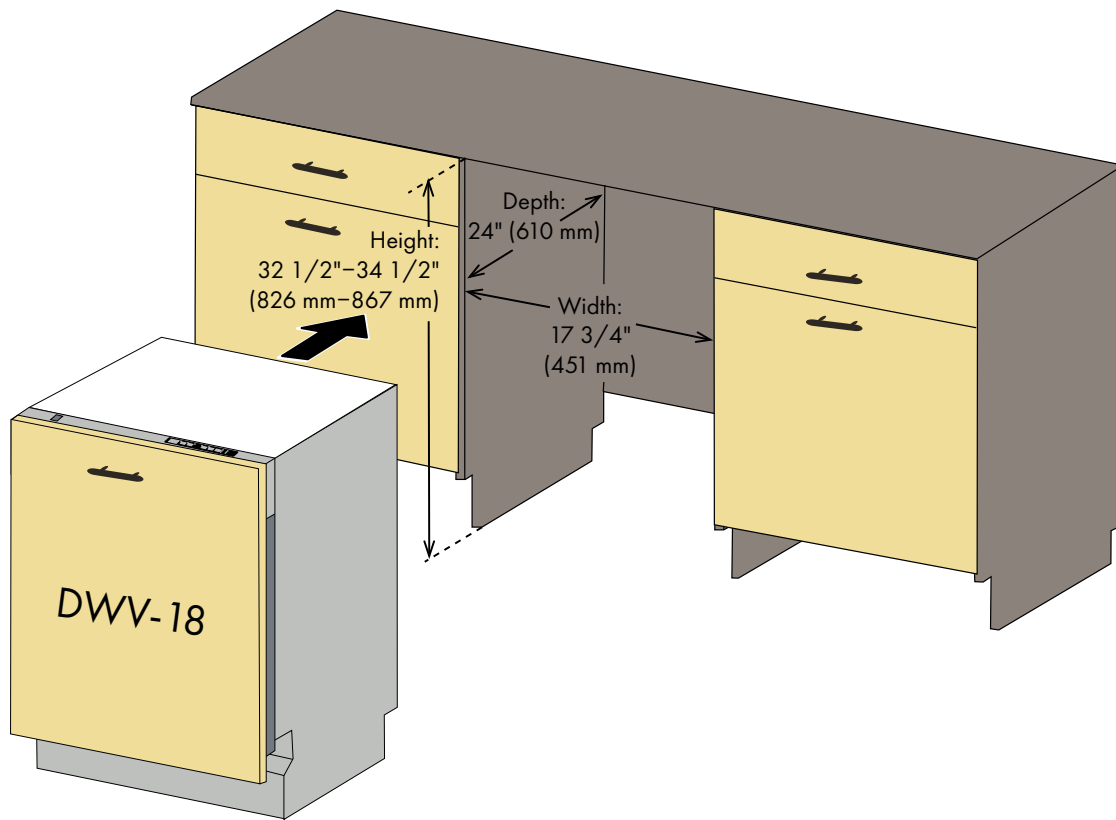


PRE-INSTALLATION NOTES:

- When installing a ZLINE door panel (see instructions on page 22), the depth of each unit increases to 22 1/2" (572 mm). The depth of each unit including the panel and handle is roughly 24" (610 mm). Depths may vary if you install a custom panel.
- Minimum and maximum heights take into account the legs, which can be extended on both models by roughly 2" (51 mm).
- Minimum recommended cabinet cut-out dimensions based on the panel ready specifications are outlined on page 10.
- While the depth cutout is based on standard cabinet depths of 24" (610 mm), please note the depth of the unit itself is smaller.
- In order for the door panel of the dishwasher to be flush with the leading edge of the counter top, the counter top must be at least 22 1/2" (572 mm) deep. This depth may vary if you install a custom door panel.

BEFORE INSTALLATION

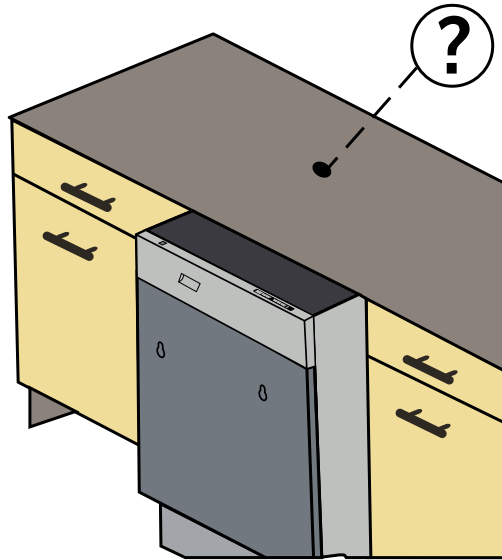
CUTOUT DIMENSIONS



NOTE: Since kitchen layouts vary, ZLINE recommends consulting with a professional installer to verify cabinet dimensions before installing the appliance.

INSTALLATION

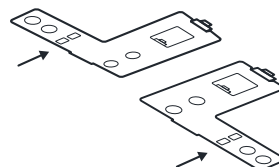
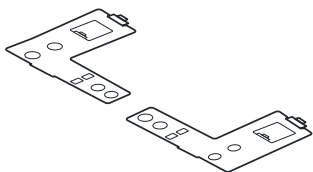
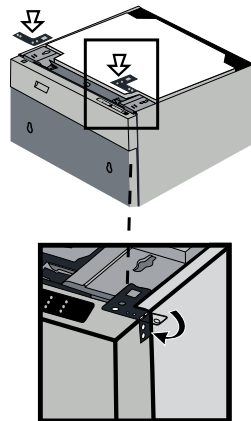
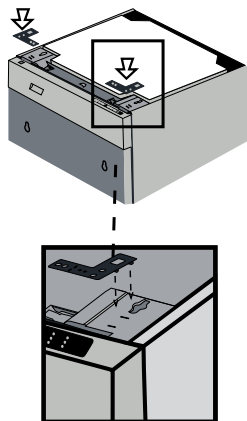
The mounting brackets in Parts Bag 3 must be used when installing the dishwasher in the cabinetry. Use of any parts other than mounting brackets may result in damage to property or bodily injury.



If the material (wood) under the countertop can be drilled or screwed into, align the brackets in this manner (below left).

If the material (granite, slate, stone, etc.) of the countertop cannot be easily drilled or screwed into, align the brackets in this manner (below right).

Place the two mounting brackets into the top corner of the dishwasher like so.



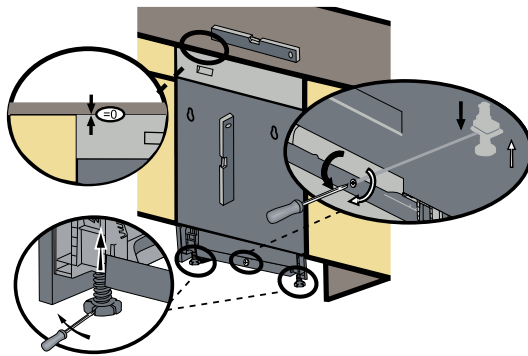
Bend brackets at arrows to mount to side of cabinets

INSTALLATION

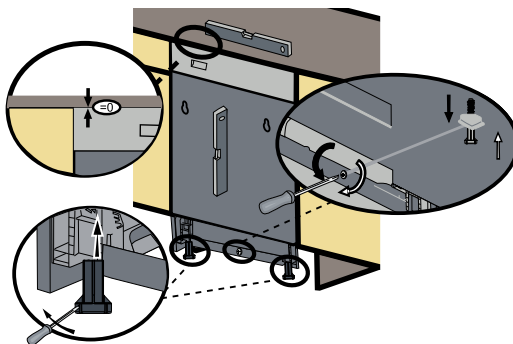
ADJUSTING HEIGHT

1. Before the dishwasher is placed into the cabinetry, the two front legs will be completely retracted. Adjust the legs by turning in the direction of the black arrows (noted below) with a flathead screwdriver to allow for the unit to move downwards.
2. For the back leg, using a Phillips screwdriver, turn the height adjustment screw in the middle of the lower front panel as shown in the image. Turning counter-clockwise (in the direction of the black arrow) will lower the rear dishwasher leg, and turning clockwise will raise the rear leg.
3. Once the front two legs and rear leg are lowered, move the dishwasher into the cabinetry and adjust the legs as necessary to balance and raise the dishwasher to the enclosure height.
4. Make sure the dishwasher is plumb with the countertop above.
 - **NOTE:** When engaging the rear leg adjustment screw, if it doesn't move, hold and pull the leg with your free hand (or use a helper) to loosen the leg before installing.

DWV-18 MODEL



If height of the enclosure is 32 1/8" (816 mm) to 34 1/8" (867 mm), use the short leg supports as shown in the figure above.

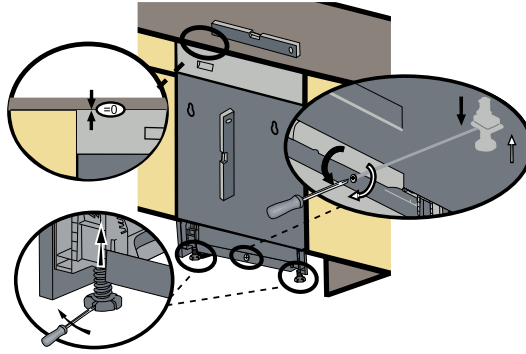


If the height is above 34 1/8" (867 mm), use the long leg supports as shown in the figure above.

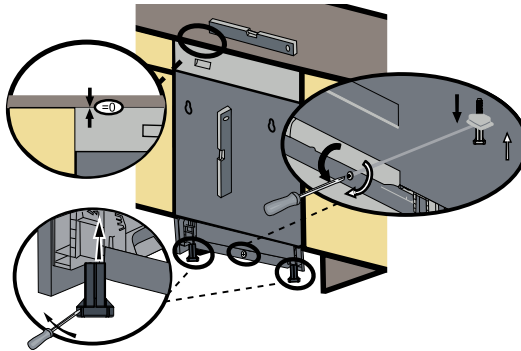
INSTALLATION

DWV-24 MODEL

If the height of the enclosure is 34" to 36" (864 mm to 914 mm), use the short leg supports as shown in the figure below.



If the height of the enclosure is above 36" (914 mm), use the long leg supports as shown in the figure below.



Using a level, be sure to check the dishwasher is level front to back and square to the floor and countertop.

NOTE: Dishwasher legs can be adjusted up to 2" (51 mm) taller or shorter depending on the height of your cabinet cutout. For DWV-18 models, the height of the dishwasher can be adjusted between 32 1/8" and 34 1/8" (816 mm and 867 mm). For DWV-24 models, the height of the dishwasher can be adjusted between 33 3/4" and 35 3/4" (857 mm and 908 mm). Adjust accordingly to ensure the unit is plumb.

INSTALLATION

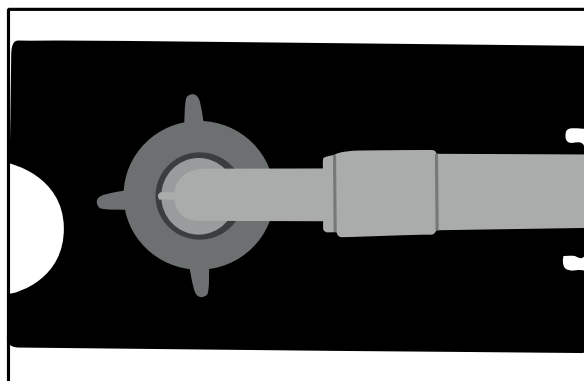
WATER SUPPLY CONNECTION

The water supply may be connected to the dishwasher in one of two ways:

- With a metal-braided hose.
- With copper tubing.

Braided Hose/Copper Tubing:

- After connections are made, turn on the water supply to check for leaks.
- Hot water supply line: Use minimum 3/4" O.D. copper tubing or metal-braided dishwasher supply line.
- Water Inlet valve of the dishwasher has a 3/4"-11.5NH inlet coupling thread dimension according to ASME B1.20.7-1991.
- When buying a water inlet hose for the dishwasher, please choose the thread dimension of the inlet hose that is compatible with the indicated water inlet valve inlet coupling thread dimension (3/4"-11.5NH) of the dishwasher.
- Temperatures required for soldering and sweating will damage the dishwasher's water inlet valve, so if any such operation is needed, keep the heat source a minimum of 7"-8" (178 mm–203 mm) away from the dishwasher's water inlet valve.
- There should not be any sharp bends in the water line, as this may restrict the water flow.
- Teflon tape or pipe thread compound must be used for sealing the connection. Before connecting the copper water supply line to the dishwasher, flush it with hot water to clear any foreign material.



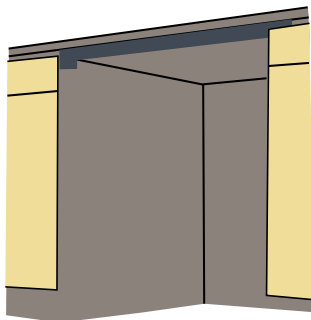
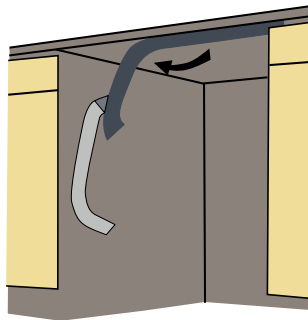
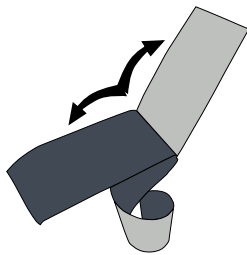
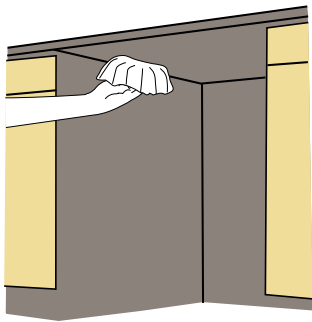
INSTALLATION

STEAM PROTECTION FOIL

Steam will escape when the dishwasher door is opened during operation of the dishwasher and after completion of any of the unit's working cycles. In order to prevent the resulting steam from collecting and damaging at the underside of the countertop, we recommend using the steam protection foil provided with this unit.

Fitting the Protection Foil

Clean the surface with a damp cloth. To install the steam protection foil (letter "c" from the parts list on page 8), peel off the protective layer and carefully apply the strip to the bottom of the cabinet above.



CAUTION

Steam protection foil must be applied where the steam escapes when door is first opened. Failure to install the steam protection foil during installation can lead to damage to the cabinets and countertop.

INSTALLATION

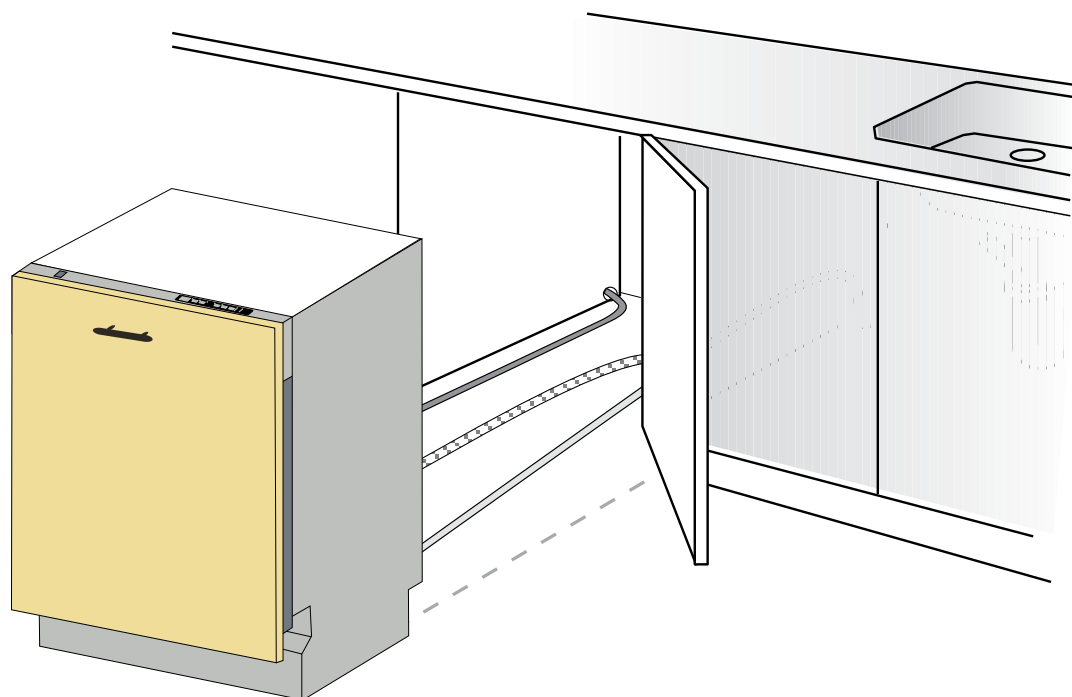
INSTALLING THE DISHWASHER INTO THE CABINET CUTOUT

Place the dishwasher in front of the cabinet opening and get ready to connect all hoses and electrical connections.

- The electrical-supply receptacle for the appliance must be installed in a cabinet or on a wall adjacent to the undercounter space where the appliance will be installed.
- There should be an opening through the partition between the compartments specified in the above bullet point that is large enough for the electrical plug to pass through. The longest dimension of the opening shall not be more than 1 1/2" (38 mm).
- The edges of the panel opening specified in the above bullet point if made of wood should be made smooth and rounded. If the panel is made of metal, it should be covered with a suitable edge protector or grommet (not provided) made for this purpose by the manufacturer.
- Care shall be exercised when the appliance is installed or removed to reduce the likelihood of damage to the power-supply cord and reduce risk of injury.



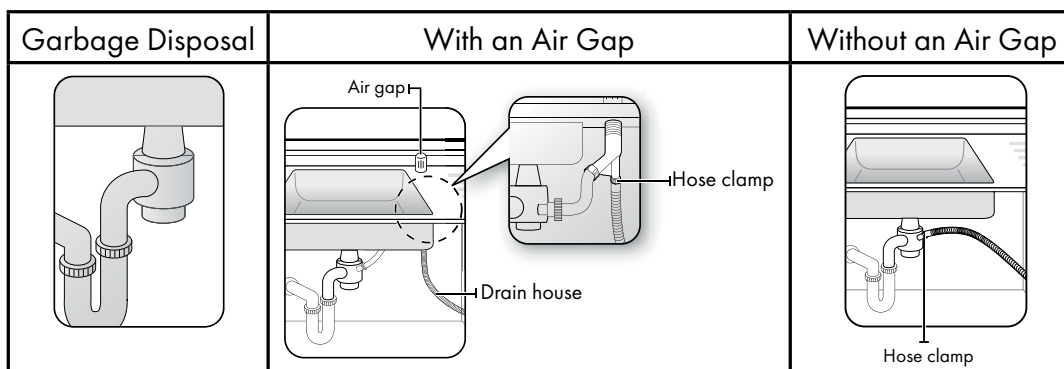
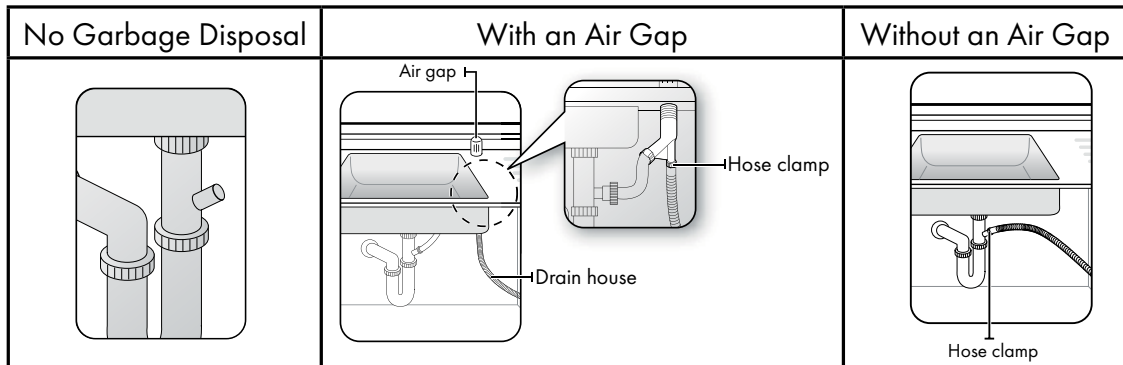
Make sure all hoses are pulled through the side opening of the cabinet, no hoses are kinked, and all slack is taken out as shown in the figure.



INSTALLATION

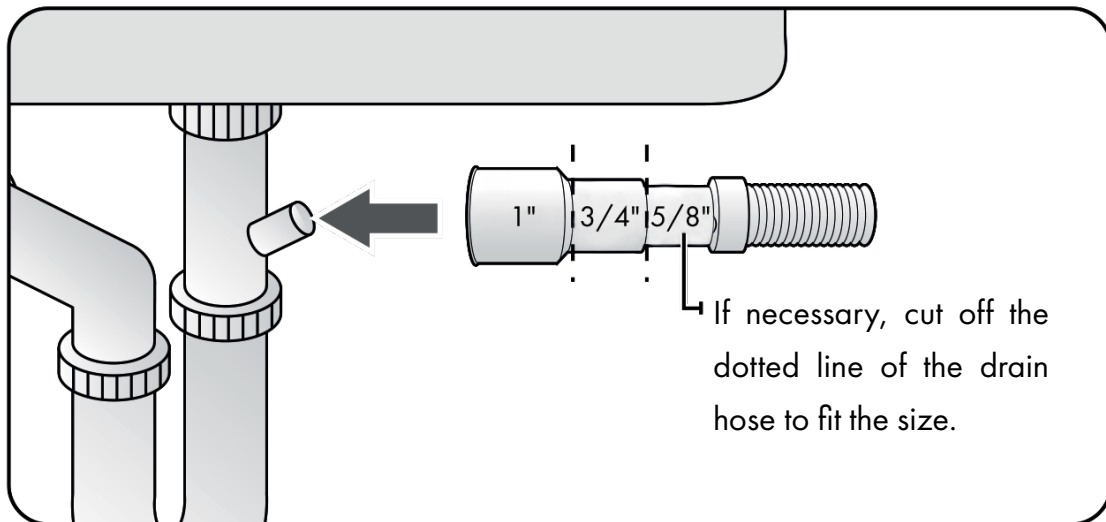
DRAIN HOSE CONNECTION

1. Check the parts on the sink where the drain hose will be connected.
2. There are several ways to insert the drain hose into the drain hose connector of the sink, as shown in the following figures. Connect the drain hose in accordance with the water pipe installation regulations in your region.



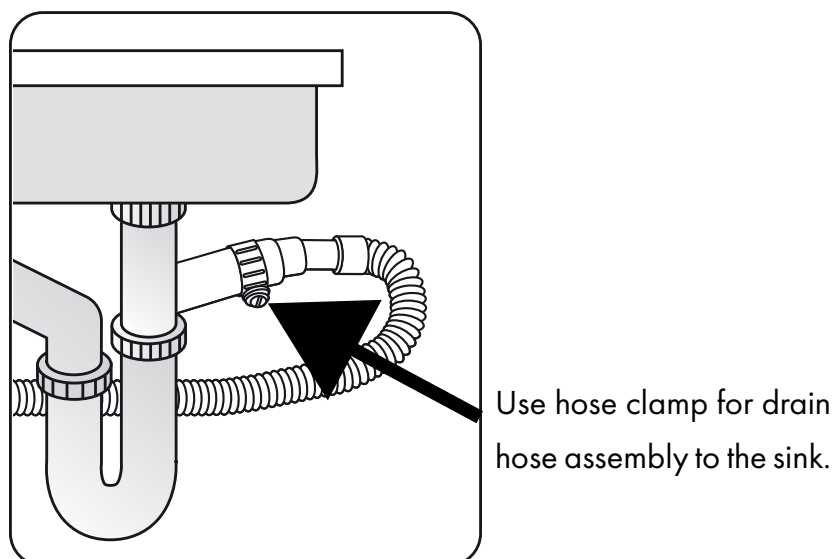
INSTALLATION

3. Check the size of the sink's drain hose connector. If needed, cut the drain hose so its end fits onto the sink connector (5/8", 3/4", or 1" as shown below). If the end of the drain hose does not fit onto the drain hose connector of the sink, use an adapter (not provided), available at any plumbing or hardware retailer.



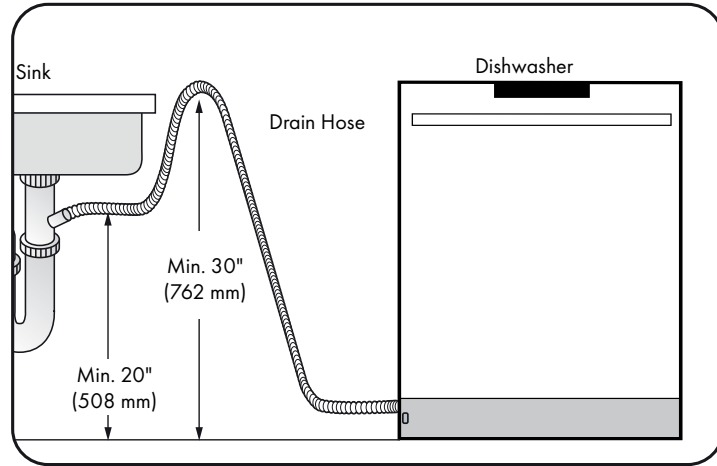
4. Slide the provided hose clamp over the end of the drain hose. Attach the drain hose to the sink connector, slide the hose clamp to the end of the hose, and then tighten the hose clamp.

NOTE: Failure to use a hose clamp may cause water leakage.



INSTALLATION

5. If there is no air gap, you can install a high loop. Hang the high point of the drain hose as close as possible to the overflow level of the sink; this helps prevent backflow and foul smells resulting from standing water. The high point should be at least 30" (762 mm) from the cabinet floor, as outlined below.



6. When drilling a hole for the drain hose through an adjacent cabinet panel, use caution to not cause damage to the drain hose by any sharp edges of the hole. If the panel is wood, be sure to sand any rough edges before routing the drain hose through. If the panel is metal, be sure to protect the drain hose by using a suitable edge protector or grommet (not supplied) made for this purpose by the manufacturer.
7. Take caution not to damage the drain hose when installing the dishwasher on the floor, wall, or cabinet. To prevent leaks or drainage problems, make sure the drain hose is not damaged, kinked, or twisted.
8. **IMPORTANT:** Do not cut the wrinkled area of the drain hose to fit the size. When arranging the drain hose, take caution not to touch the sharp edges of the cabinet or under-sink.
 - Be careful when cutting off the end of the drain hose, as there is a risk of injury. Clean around the sink's drain connection so that it does not damage the hose. Inspect the inside of the drain hose for any obstructions and remove if found. Also, inspect the outside length of the drain hose for any damage, cuts, or excessive creases.
 - When arranging the drain hose, make sure the drain hose is not cut, torn, or broken by any sharp edges of the floor, the product itself, or the cabinet. A damaged drain hose may cause water leaks.

INSTALLATION

ADJUSTING THE KICK PLATE

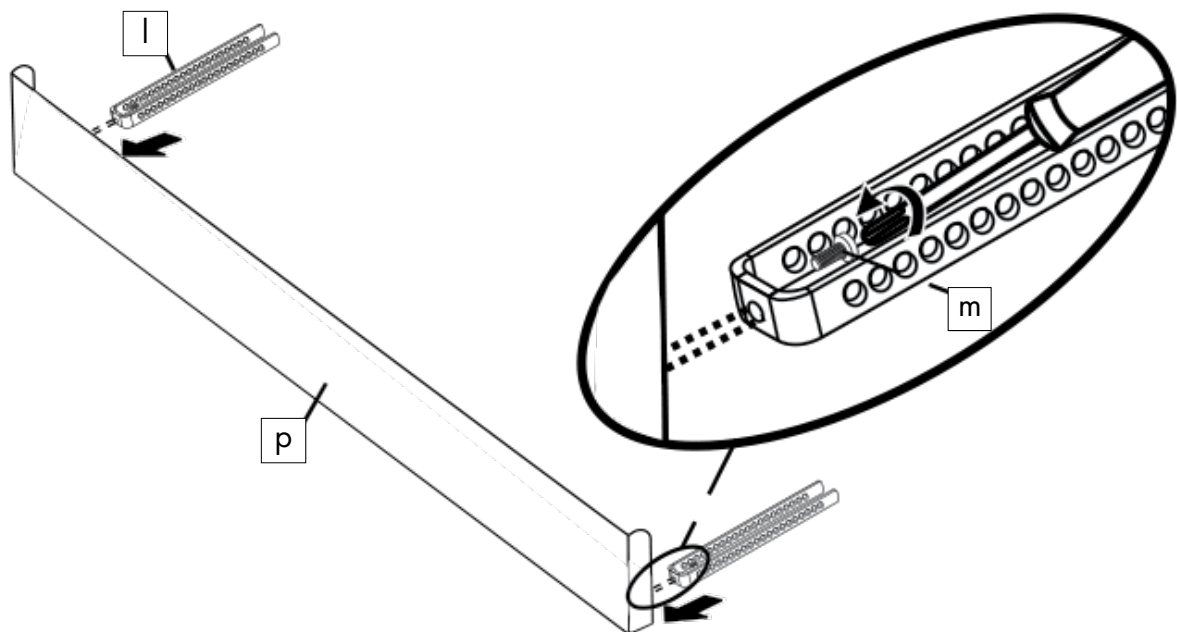
Once the dishwasher is successfully installed, attach the kick plate to the unit. The two-piece kick plate can be adjusted to the height and depth needed for the kitchen.

DWV-18

1. If the installed height of the dishwasher is above 32 1/8" (816 mm) using the short front leg supports, install the metal back plate (letter "p" from the parts list on page 8) at 5 1/4" (133 mm) height. Using a Phillips-head screwdriver, secure the back plate to the two kick plate brackets (l) using the 5/32" x 7/32" screws (m).

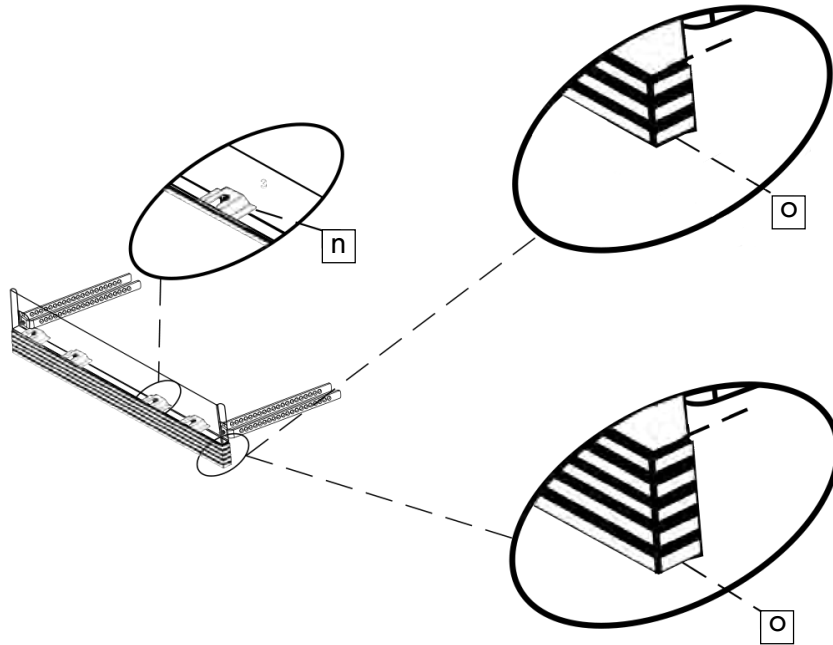
DWV-24

1. If the installed height of the dishwasher is above 34" (864 mm) using the short front leg supports, install the metal back plate (p) at 5 1/4" (133 mm) height. Using a Phillips-head screwdriver, secure the back plate to the two kick plate brackets (l) using the 5/32" x 7/32" screws (m).

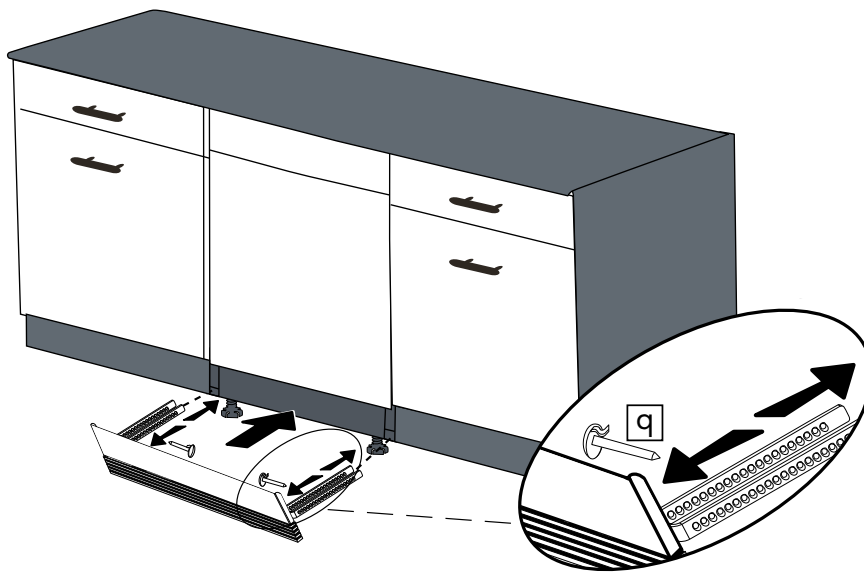


INSTALLATION

2. Depending on the overall height required to cover the remaining gap, the plastic plinth panel (o) height can be adjusted in 3/8" (10 mm) increments by removing/adding each section. It is attached through the side holes of the metal back plate and secured using the U-shaped clips (n) to hold the pegs.



The metal back plate and adjustable plinth panel should be assembled with the kick plate brackets mounted as shown in the diagram below.



3. Depending on the desired cabinet depth, the kick plate brackets' depth can be set using the stopper pins (q) inserted into the holes.
4. The panel assembly should be inserted into the corresponding rectangle slots above both the front support legs.

INSTALLATION

INSTALLING THE OUTER PANEL

After the dishwasher is properly connected to water and electrical and is installed into your cabinet cutout, the final step is to secure the outer panel onto the dishwasher door.

1. If necessary for a custom outer panel, affix the panel mounting template provided with the appliance to the inside of the outer panel, making sure the template is straight so the drill holes line up.



NOTICE

After drilling holes as noted on the mounting template, remove the template before completing installation onto the dishwasher door.

2. As shown in Figure A, drill each screw hole into the inside of the outer panel using the points marked on the template, making sure not to drill deeper than 15/32" (12 mm).

- Diameter of Drilling Bit: 5/64" (2 mm)
- Depth of Drilling Bit: 15/32" (12 mm)

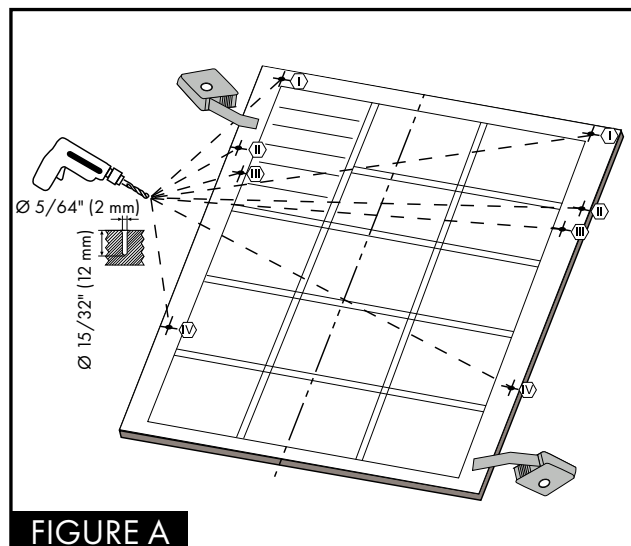
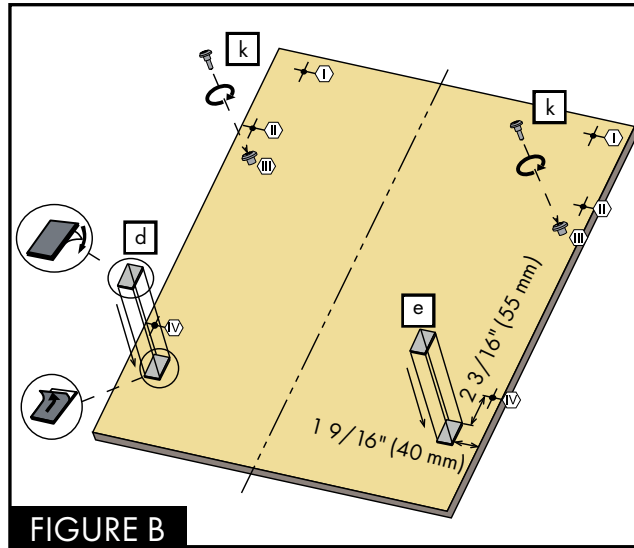


FIGURE A

NOTE: The use of the outer panel mounting template only applies to custom door panels supplied by the customer. ZLINE-provided outer panels are pre-drilled and therefore do not require the template to install.

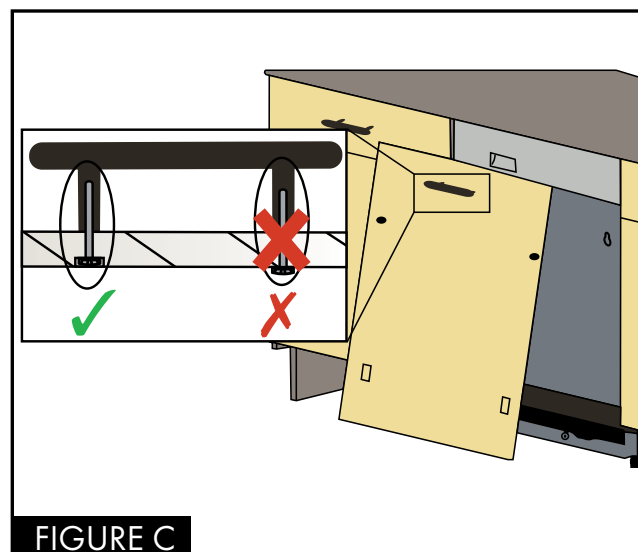
INSTALLATION

3. As shown in Figure B, fasten Mount Screws $\text{Ø } 5/32" \times 27/32"$ (k) into positions III.
4. As shown in Figure B, install both Adhesive Panel Strips (d and e).



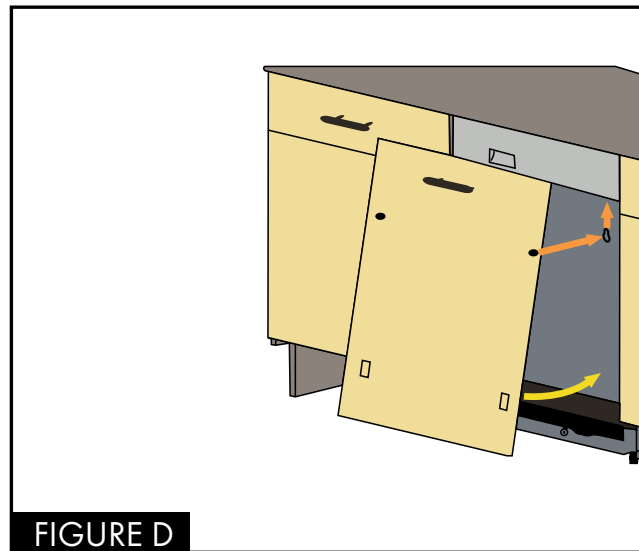
Before attaching Adhesive Panel Strips, remove the white protective sheets. These Velcro strips are meant to help hold the outer panel in place while you fasten it to the dishwasher door.

5. Before mounting the outer panel onto the dishwasher door, mount the handle on the panel as shown Figure C. **NOTE:** The handle screws must be flush mounted below the inside mating surface of the outer panel so that the panel can sit flush against the dishwasher door.



INSTALLATION

- The upper section of the outer panel can be secured by the two mount screws (k) fastened in step 3 by sliding the panel upward after aligning those screws with the corresponding keyholes on the dishwasher door, shown with the orange arrows in Figure D. Slide the panel upward until the top edge is flush with the top of the dishwasher control panel. Once secure, the panel can swing closed, shown with the yellow arrow in Figure D.

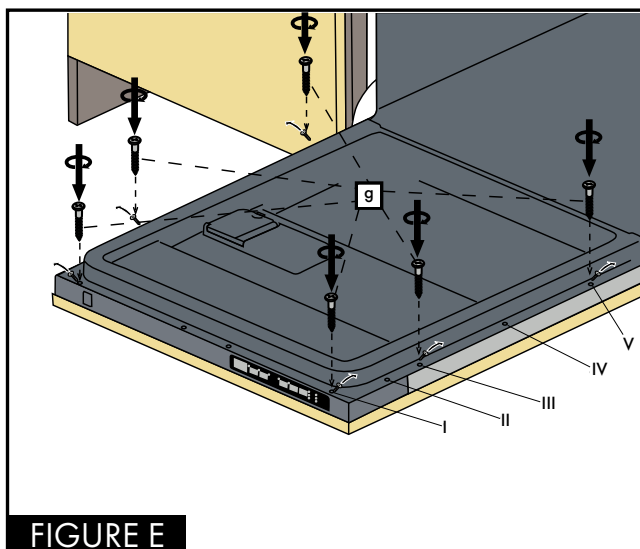


- With the outer panel now attached to the dishwasher door, fully open the door and, as shown in Figure E, fasten Screws $\text{\O} 5/32'' \times 1 5/8''$ (g) into the six positions (I, III, and V) on the inside of the dishwasher door into the pre-drilled holes on the panel.



NOTICE

Before mounting Screws $\text{\O} 5/32'' \times 1 5/8''$ (g), the existing screws in positions I, III, and V on the door must be removed.



Scan the QR code for a door panel installation tutorial.

INSTALLATION

8. Depending on the weight of the assembled outer panel, the door spring tension can be adjusted by the mechanism shown in Figure F.
 - If the door is falling down, the mechanism must be turned clockwise in the direction of the white arrow with a Phillips screwdriver.
 - If the door is swinging upwards, the mechanism must be turned counter-clockwise in the direction of the black arrow with a Phillips screwdriver.



NOTICE

Minimum Phillips screwdriver diameter is 15/64" (6 mm) for this application.

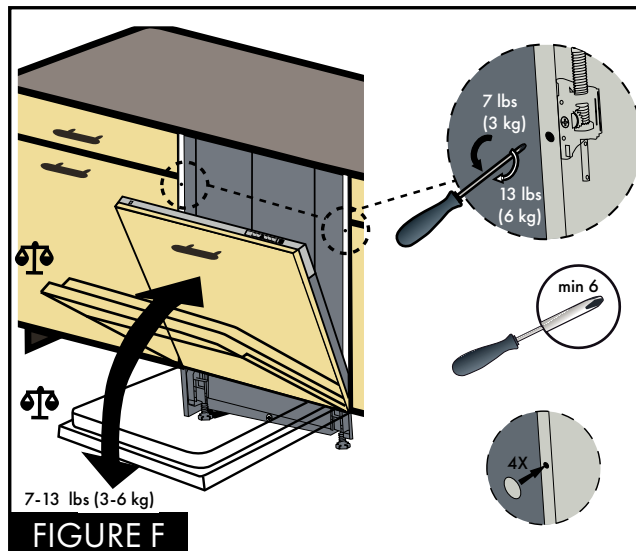


FIGURE F

9. After adjusting the door tension, the holes can be covered with the four provided adhesive hole covers (f).
10. Mounting brackets previously fixed to the dishwasher are also fixed in the cabinetry with Screws $\varnothing 5/32'' \times 19/32''$ (h).
11. Check whether the bottom of the door hits the toe kick of the kitchen cabinet.
 - If the door hits the toe kick, cut the necessary section out of the toe kick.
 - Apply silicone, sealant, or paint to the cut edge of the kitchen cabinet toe kick so it does not absorb moisture.



Scan the QR code for a door spring tension tutorial.

INSTALLATION

INSTALLER CHECKLIST

The professional who installs this appliance must complete and check the following:

- The dishwasher is square and level.
- The dishwasher is fastened securely to the cabinetry.
- The dishwasher door opens and closes freely. The dishwasher door must close without hitting any cabinetry or countertop.
- The inlet water supply is turned on and checked for leaks.
- The drain hose has been connected and checked for leaks. There must be no kinks or obstructions in the drain hose.
- The drain hose must be installed with a 30" (762 mm) high drain loop for drain hook-ups without any air removed.
- The spray arms are free and rotate freely.
- The rinse cycle has been run.
- The water level must be below the filter screen after the end of the wash program. It is normal to find some water in the drain filter area.

NOTE: If the installer connects the water drain hose to a trap spigot under the sink, the plastic membrane must be removed. If the entire membrane is not removed, remaining food can cause a blockage in the drain hose spigot. Ensure a hose clamp is used to secure the hose to the spigot.

FINAL INSTRUCTIONS

1. Press the On/Off button to turn the dishwasher on.
2. Power indicator light comes on.
3. Use the Program Select button to choose a washing program.
4. Start the program with the Start/Pause/Cancel button.
5. Run the dishwasher through one complete cycle. When the wash cycle is completed, use the On/Off button to turn the dishwasher off.
6. If the dishwasher does not operate properly, refer to the Troubleshooting section.
 - If the unit does not operate properly after following these steps, contact ZLINE at 1-614-777-5004 to schedule an authorized service agent to inspect the new dishwasher for any function related failure.
 - The manufacturer warranty does not cover installation, conversion, or customer education service visits.

WARRANTY

COVERAGE

ZLINE Kitchen and Bath ("ZLINE") dishwashers have a one year parts and service warranty.

ZLINE warranty periods begin from the original date of product delivery and solely cover the original purchaser of the product, delivered new and in its original carton. The limited warranty covers all parts and labor for necessary repairs if any part of the product, or the product itself, proves to be defective in materials or workmanship. The product must be deemed serviceable via troubleshooting with the ZLINE Customer Experience team. All service on ZLINE products under warranty must be performed by ZLINE-approved and ZLINE-certified service providers unless otherwise specified by ZLINE. Service will be provided during normal business hours. Products must be unobstructed and accessible to the service provider at the time of service. ZLINE's liability is limited to the original purchase price of the product. Additional injuries, losses, damages, or other inconveniences caused by product malfunction or defects in materials are not covered under the terms of this warranty.

TERMS

ZLINE warranties apply only to the original purchaser of a ZLINE product installed for normal residential use. This is defined as a single-family, residential dwelling in a non-commercial setting. Any warranty claim stemming from installation, operation, or any other use within a commercial setting is not covered under this limited warranty. Commercial settings include, but are not limited to: schools, churches, hotels, restaurants, vacation rentals such as Airbnb, daycare centers, private clubs, fire stations, common areas in multi-family dwellings, nursing homes, food service locations, and institutional food service locations such as hospitals or correctional facilities.

This warranty is non-transferable and will not under any circumstance be extended based on the date of installation — the warranty period takes effect from the date of delivery and only covers the original purchaser. The warranty applies only to products installed in the contiguous United States and the District of Columbia. Failure to secure certified warranty service per these terms will result in a forfeiture of the remaining warranty.

Out-of-pocket payments will not be reimbursed unless prior approval is received from ZLINE and/or ZLINE-certified service contract partners. Unapproved out-of-pocket payments for service will not be reimbursed. All warranty procedures must be followed to maintain warranty coverage.

WARRANTY

If a product qualifies within the service window provided under these warranty terms, and ZLINE is unable to repair the product or a defective part of the product after a reasonable number of attempts, ZLINE reserves the right to offer to replace the defective part or the product or provide the original purchaser a full refund of the purchase price of the product (not including installation, removal, or other charges that were not included in the original purchase price).

The original purchaser of the product must provide the original proof of purchase, including the purchase date, when filing a claim to obtain replacement parts, service, or refunds. Additionally, the original purchaser of the product must provide the serial number of the product when filing a claim to obtain replacement parts, service, or refunds.

This warranty shall not apply to any ZLINE product in which the original factory serial number has been removed, altered, or cannot be readily determined for any reason. Further, ZLINE is not responsible for damage resulting from, but not limited to: shipment, delivery, or improper installation; negligence or improper maintenance, misuse, or abuse of the product; unauthorized alteration, modification, or tampering with the product; accident, fire, floods, pest infestations, pandemics, natural disasters, or any other unpreventable or unexplained acts of nature, commonly referred to as "acts of God"; flare-up fires or damages caused by improper electric supply, electrical line current, voltage, or power surges; and service to correct installation not in accordance with the instructions contained in ZLINE's product manuals and/or with local government codes.

This warranty does not apply to aesthetic damage, scratches, or natural wear caused by normal use; second-hand, open box products, or products purchased from an unauthorized retailer; and damages or issues stemming from alteration or tampering with the dishwasher, including, but not limited to, painting any portion of the product's interior or exterior and altering or otherwise manipulating the power cord.

In the event service is dispatched, and it is discovered that the reported issue is not covered under warranty based on the disclaimers above, the customer will be responsible for all service fees. Failure to pay these fees will result in the forfeiture of remaining warranty coverage.

WARRANTY

Information contained within ZLINE's installation and user manuals, in addition to product information included on ZLINE's website and all related digital listings, do not cover every possible condition and situation that may occur during the installation or operation of ZLINE products.

ZLINE reserves the right to make changes at any time to its products when considered safe, necessary, and useful. Always check the ZLINE website for the most up-to-date version of its product manuals: www.zlinekitchen.com/pages/manuals.

Do not install or operate any ZLINE product if it has missing or broken parts or if it arrives damaged due to shipping. If ZLINE products arrive damaged, contact ZLINE Customer Experience at 1-614-777-5004 for help. Failure to report a damaged appliance prior to installation or operation may void the warranty.

ZLINE disclaims responsibility for damage or injury caused by improper installation or use of any of its products. ZLINE is under no obligation, by law or otherwise, to provide concessions, including repairs, prorates, rebates, discounts, or replacements, once the warranty has expired.

SERIAL NUMBER LOCATION



Please write down the model number and serial number of your appliance. Both numbers are located on the rating tag located on the right-hand side of the inner door of the dishwasher. The tag is visible when the dishwasher door is open. Do not remove permanently affixed labels, warnings, or plates from the product. This will void the warranty. You may also consider attaching your receipt or proof of purchase to this manual.

WARRANTY



SERVICE

For warranty service, please contact our Customer Service team at 1-614-777-5004 or visit www.zlinekitchen.com/contact to utilize our online Customer Experience Portal.



Scan the QR code to view the most up-to-date version of our Installation Manual and User Manual.



Need to purchase a part or accessory for your ZLINE product?
Visit www.zlineparts.com, ZLINE's official parts distribution partner.

1.6.5

zlinekitchen.com

1-614-777-5004

contact@zlinekitchen.com

ZLINE
ATTAINABLE LUXURY®