

EGR3000EP

GE® 30" Free-Standing Gas Range

Dimensions and Installation Information (in inches)

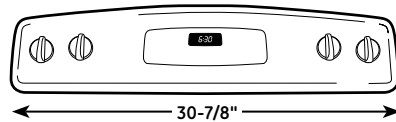
Optional Gas Range Accessory Drip Pans for Sealed and Standard Burner Models (Available at additional cost)

To order these accessory drip pans, call toll-free 800-848-7722

Optional Gas Range Wok Accessory (Available at additional cost) JXWK—Wok accessory sits on top of burner grate to hold a round-bottom wok.

Electrical Rating: 120V, 60Hz, 5A

Installation Information: Before installing, consult installation instructions packed with product for current dimensional data.

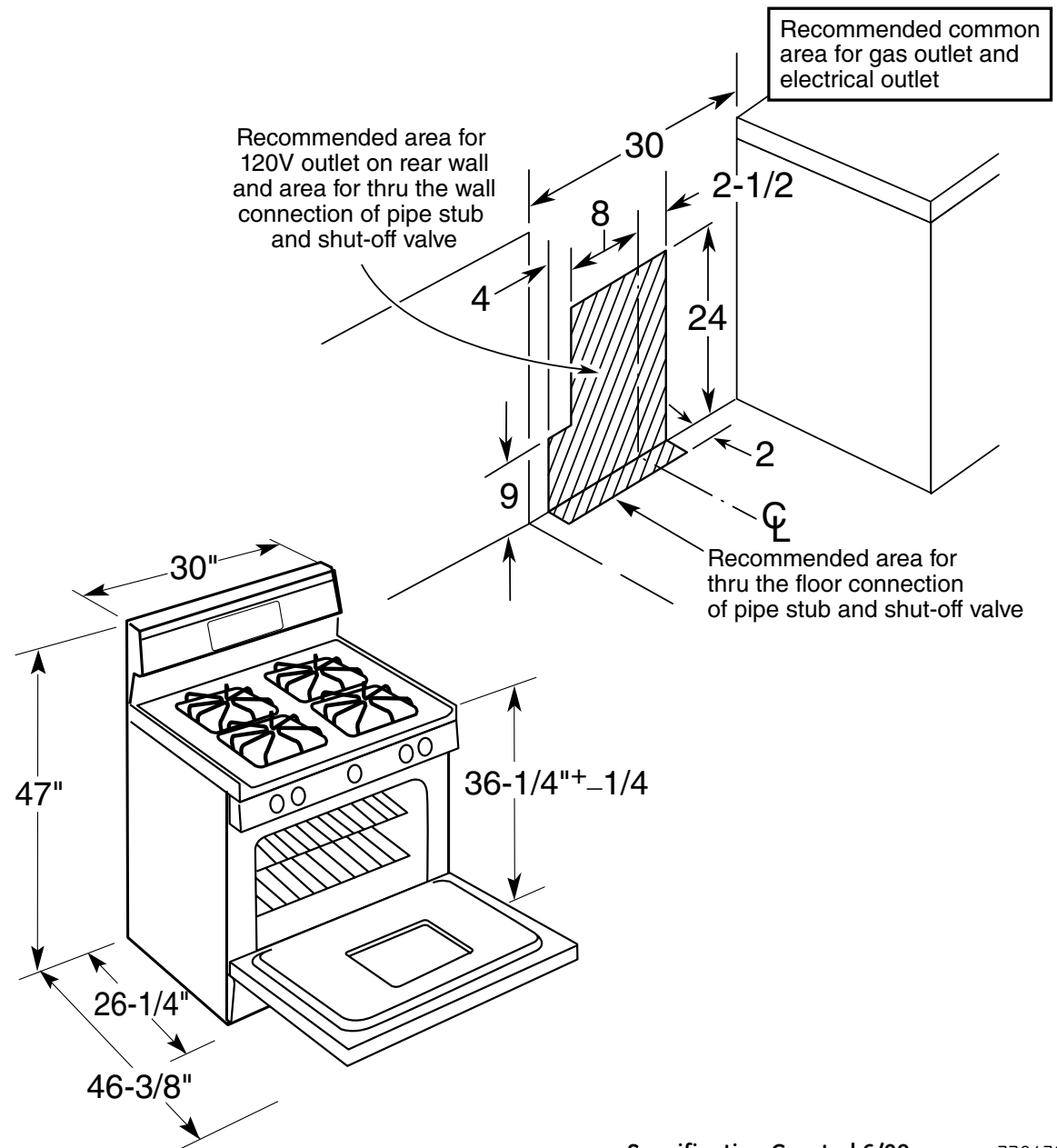


All 30" GE gas and electric range backguards are 30-7/8" wide.*

Note: 30" ranges conform to U.L. requirements for 0" spacing from adjacent walls below countertops. To reduce possible scorching of walls, engineering recommends a minimum of 1-1/2" spacing to allow for possible extended, high heat, no-load heating element operation.

*Except these models: JGBS07, JGBS04, JGBP90, all GE Profile free-standing electric and gas ranges
Fits most countertop backsplash applications. Consult Use & Care Manual for detailed installation instructions.

For answers to your Monogram,® GE Profile™ or GE® appliance questions, visit our website at ge.com or call GE Answer Center® service, 800.626.2000.



EGR3000EP

GE® 30" Free-Standing Gas Range

Features and Benefits

- Self-clean Oven - Self-clean allows you to spare yourself from the trouble and effort it takes to scrub the oven interior. The oven does all the work!
- Super-large 5.0 cu. ft. Oven Capacity - Remarkably large oven interior is ideal for holidays, dinner parties and everyday family cooking
- Heavy-cast, Continuous Grates - Matte-finish cooktop grates provide a sturdy, uninterrupted surface that allows pots and pans to move easily
- Deep-recessed Cooktop - Deep recessed cooktop keeps spills, and everything else, contained in one area that's easy to wipe clean
- PowerBoil™ 15K Burner - This powerful element instantly supplies the intense heat need for boiling, sautéing and stir frying
- Precise Simmer Burner - Simmer burners allows for low, even heat distribution that is ideal delicate foods and sauces
- TrueTemp™ Oven System - This feature helps ensure the temperature you set is the temperature you get, with less variance, to give you the baking and broiling performance you desire
- Sealed Cooktop Burners - Burner elements are sealed to the cooktop to keep foods and liquid contained on the cooktop, making cleaning painless
- Big Hearth Window - Elegant shaped window makes it easy to monitor the progress of food
- QuickSet III Oven Controls - Feature an easy to use design that allows you to set precise cooking temperatures
- Model EGR3000EPBB - Black
- Model EGR3000EPWW - White

