

EVS 7010 AM

Handleless vacuum sealing drawer, 24" width and 5 5/8" height for professional vacuum sealing of food.



- Remaining fresh for longer – storage and portioning of food
- Intense taste sensations – food marination
- Preparation of food for sous-vide cooking
- Easy handling – Touch control and fully telescopic runners
- Push2open – opening the drawer couldn't be easier

EAN: 4002516491408 / Material number: 11845430 /
Old Material Number: 30701021USA

General information	
Model number	EVS 7010 AM
Manufacturer material number	11845430
EAN number	4002516491408
Construction type and design	
Built-in vacuum drawer	•
VitroLine	•
ArtLine	•
No Handles	•
Construction type and design	
Color	Obsidian black
Operating modes	
Vacuumping	•
Convenience features	
Marinating food	•
Convenience features	
Longer food storage life	•
Preparing for Sous Vide cooking	•
Range of applications	
Vacuum sealing food	•
Vacuum sealing liquids	•
Vacuum sealing containers	•
Marinating food	•
Dividing food into portions	•
Resealing original packaging	•
Sealing jars	•
User convenience	
Push2open mechanism	•
Fully telescopic runners for easy loading and unloading	•
Control panel with sensor control	•
Timer function	•
Control panel with text	•
Sealing duration settings	1 - 3
Timers	•
Stop programming	•
Stop function	•
Min. vacuum settings	1
Max. vacuum settings	3
LED vacuum setting indicator	•
Min. vacuum settings for external containers	1
Max. vacuum settings for external containers	3
LED vacuum strength indicator for external containers	•
LED sealing duration indicator	•
Vacuum technology	
Stainless-steel vacuum chamber	•
Cleaning convenience	
Flush control panel	•
Note regarding moisture removal from the vacuum pump	•

EVS 7010 AM

Handleless vacuum sealing drawer, 24" width and 5 5/8" height
for professional vacuum sealing of food.



EAN: 4002516491408 / Material number: 11845430 /
Old Material Number: 30701021USA

Replaceable sealing bar

•

Safety

Safety cut-out

•

Technical data

Appliance width in in. (mm)

23 1/2 (595)

Appliance height in in. (mm)

5 5/8 (141)

Appliance depth in in. (mm)

22 1/2 (570)

Useable interior height in in. (mm)

3 1/4 (80)

Plug type

NEMA plug: 5–15

Voltage in V

120

Frequency in Hz

60

Fuse rating in A

10

Number of phases

1

Connection wire with plug

•

Wire length in ft. (m)

5 (1.8)

User convenience

Stainless-steel vacuum sealing chamber capacity in l

8.0

Minimum bag size in inch (mm)

9 7/8 (250)

Maximum bag size in mm

13 7/8 (350)

Vacuum technology

Pump capacity in m³/h

2.35 (4)

Standard accessories

Adapter for vacuum-sealing container

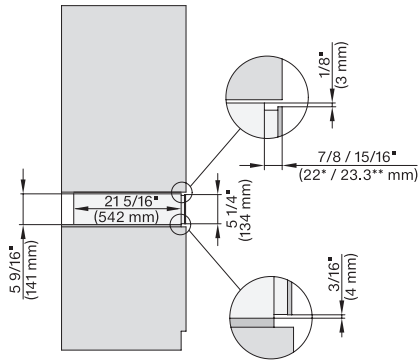
1

Vacuum sealing bag support

1

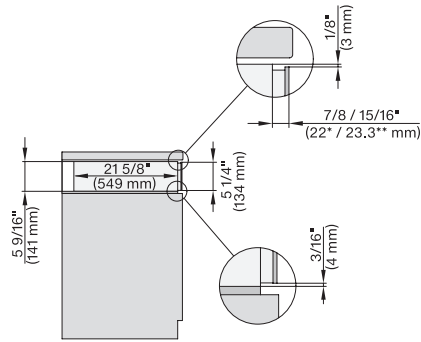
EVS 7010 AM

Handleless vacuum sealing drawer, 24" width and 5 5/8" height for professional vacuum sealing of food.



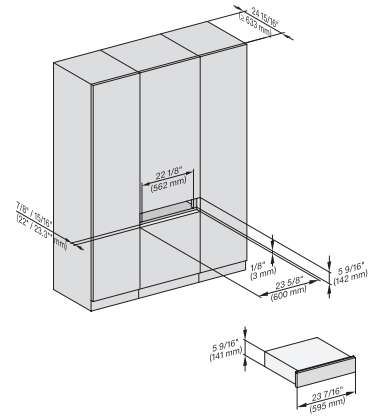
side view, Flush inset ESW6x14, EVS, installation drawing, NA

7/8" – 22* mm – Glas, 15/16" – 23.3** mm – Edelstahl



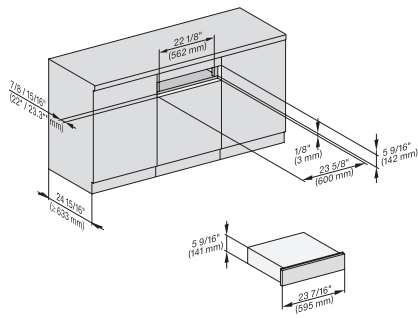
side view Flush inset built-under EVS, installation drawing, NA

7/8" – 22* mm – Glas, 15/16" – 23.3** mm – Edelstahl



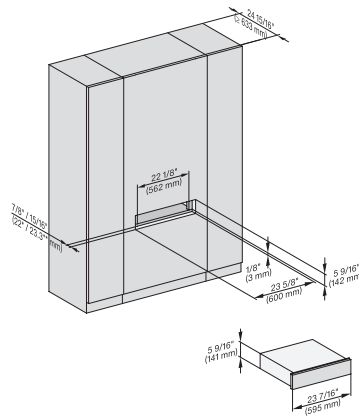
installation Flush inset ESW6x14 EVS, installation drawing, NA

7/8" – 22* mm – Glas, 15/16" – 23.3** mm – Edelstahl



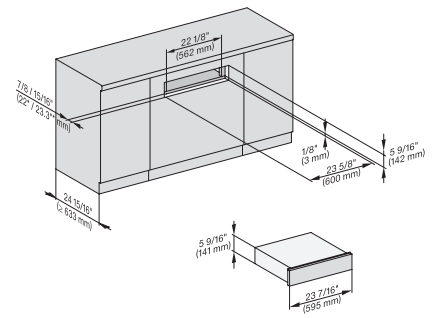
installation Flush inset built-under EVS, installation drawing, NA

7/8" – 22* mm – Glas, 15/16" – 23.3** mm – Edelstahl



installation Flush inset wide front ESW6x14 EVS, installation drawing, NA

7/8" – 22* mm – Glas, 15/16" – 23.3** mm – Edelstahl

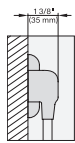
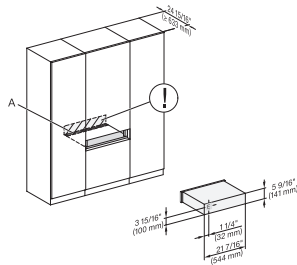


installation Flush inset built-under wide front EVS, installation drawing, NA

7/8" – 22* mm – Glas, 15/16" – 23.3** mm – Edelstahl

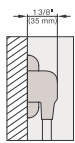
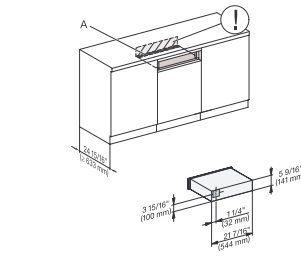
EVS 7010 AM

Handleless vacuum sealing drawer, 24" width and 5 5/8" height for professional vacuum sealing of food.



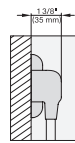
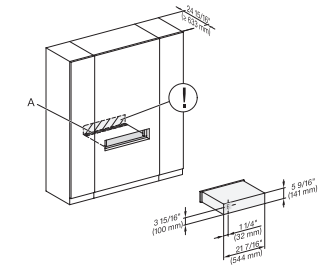
installation Flush inset ESW6x14 EVS, installation drawing, NA

A – Cut-out (4" x 28" / 100 mm x 720 mm) in the bottom of the cabinet for power cord and ventilation, – Electrical and water supplies are recommended to be placed in adjacent cabinetry, Additional cabinet depth is required when placing the electrical and water supplies behind the appliance., E = Electric connection, n



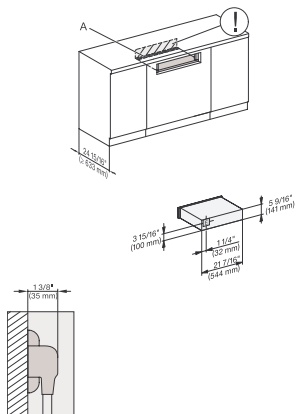
installation Flush inset built-under EVS, installation drawing, NA

A – Cut-out (4" x 28" / 100 mm x 720 mm) in the bottom of the cabinet for power cord and ventilation, – Electrical and water supplies are recommended to be placed in adjacent cabinetry, Additional cabinet depth is required when placing the electrical and water supplies behind the appliance., E = Electric connection



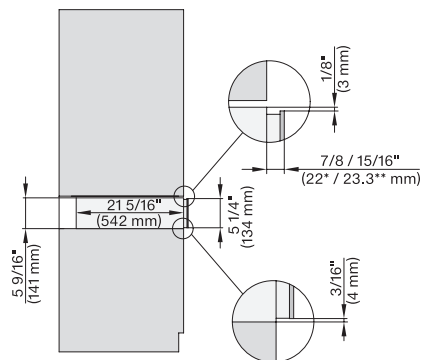
installation Flush inset wide front ESW6x14 EVS, installation drawing, NA

A – Cut-out (4" x 28" / 100 mm x 720 mm) in the bottom of the cabinet for power cord and ventilation, – Electrical and water supplies are recommended to be placed in adjacent cabinetry, Additional cabinet depth is required when placing the electrical and water supplies behind the appliance., E = Electric connection, n

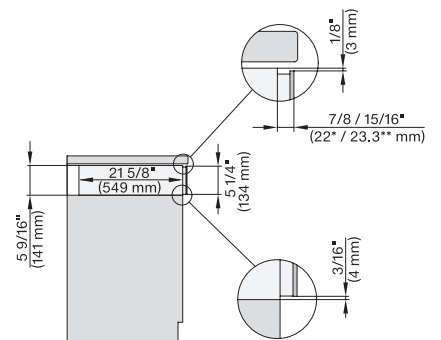


installation Flush inset built-under wide front EVS, installation drawing, NA

A – Cut-out (4" x 28" / 100 mm x 720 mm) in the bottom of the cabinet for power cord and ventilation, – Electrical and water supplies are recommended to be placed in adjacent cabinetry, Additional cabinet depth is required when placing the electrical and water supplies behind the appliance., E = Electric connection



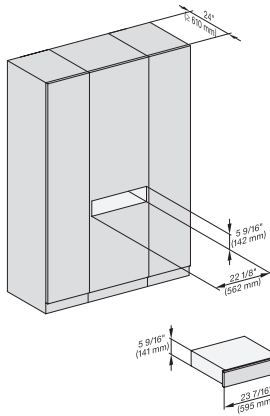
side view Proud ESW6x14 EVS, installation drawing, NA
7/8" – 22* mm – Glas, 15/16" – 23.3** mm – Edelstahl



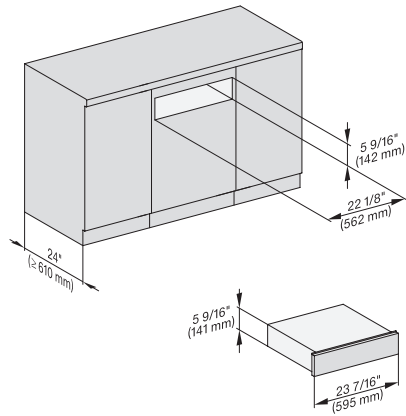
side view Proud built-under EVS, installation drawing, NA
7/8" – 22* mm – Glas, 15/16" – 23.3** mm – Edelstahl

EVS 7010 AM

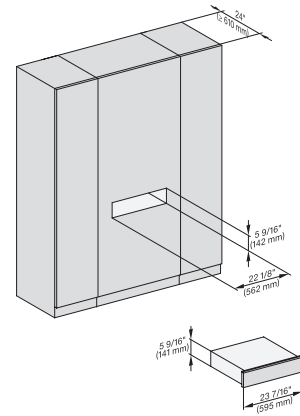
Handleless vacuum sealing drawer, 24" width and 5 5/8" height for professional vacuum sealing of food.



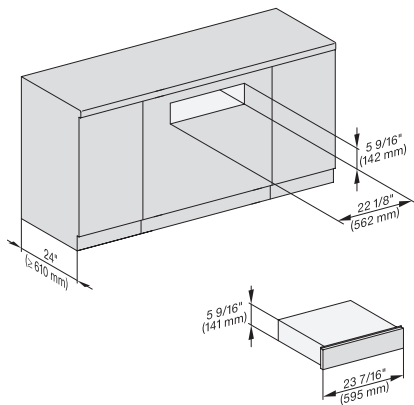
installation Proud ESW6x14 EVS, installation drawing, NA



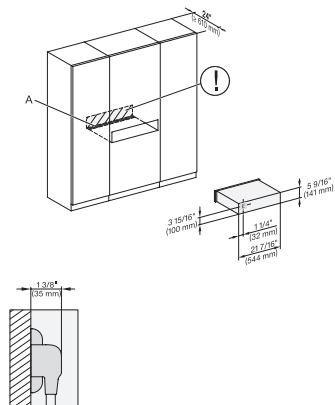
installation Proud built-under EVS, installation drawing, NA



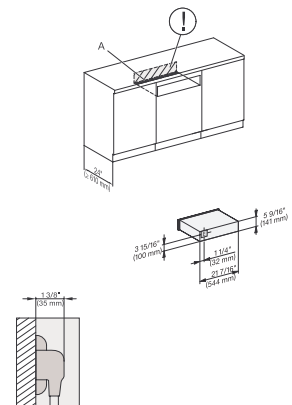
installation Proud wide front ESW6x14 EVS, installation drawing, NA



installation Proud built-under wide front EVS, installation drawing, NA



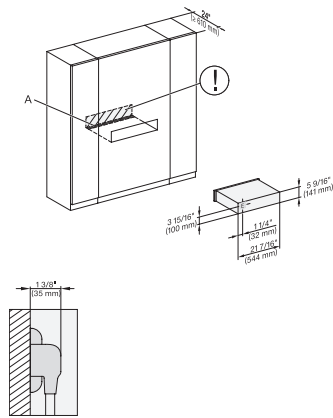
installation Proud ESW6x14 EVS, installation drawing, NA
 A – Cut-out (4" x 28" / 100 mm x 720 mm) in the bottom of the cabinet for power cord and ventilation, – Electrical and water supplies are recommended to be placed in adjacent cabinetry, Additional cabinet depth is required when placing the electrical and water supplies behind the appliance., E = Electric connection, n



installation Proud built-under EVS, installation drawing, NA
 A – Cut-out (4" x 28" / 100 mm x 720 mm) in the bottom of the cabinet for power cord and ventilation, – Electrical and water supplies are recommended to be placed in adjacent cabinetry, Additional cabinet depth is required when placing the electrical and water supplies behind the appliance., E = Electric connection

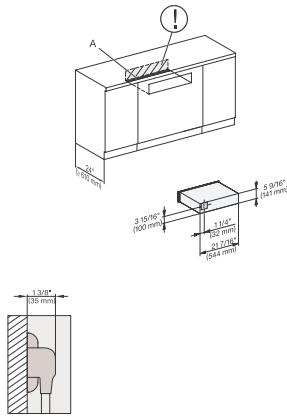
EVS 7010 AM

Handleless vacuum sealing drawer, 24" width and 5 5/8" height for professional vacuum sealing of food.



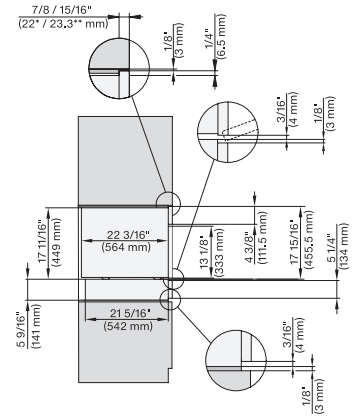
installation Proud wide front ESW6x14 EVS, installation drawing, NA

A – Cut-out (4" x 28" / 100 mm x 720 mm) in the bottom of the cabinet for power cord and ventilation, – Electrical and water supplies are recommended to be placed in adjacent cabinetry, Additional cabinet depth is required when placing the electrical and water supplies behind the appliance., E = Electric connection, n



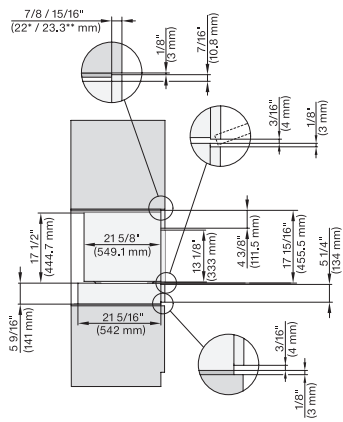
installation Proud built-under wide front EVS, installation drawing, NA

A – Cut-out (4" x 28" / 100 mm x 720 mm) in the bottom of the cabinet for power cord and ventilation, – Electrical and water supplies are recommended to be placed in adjacent cabinetry, Additional cabinet depth is required when placing the electrical and water supplies behind the appliance., E = Electric connection



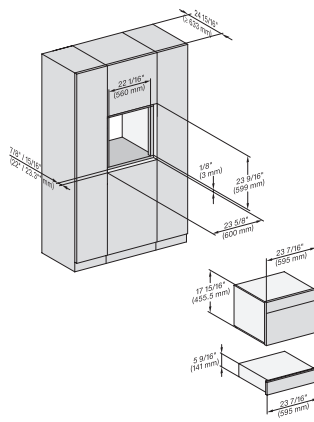
side view, Flush inset, DGC combi XL, ESW

7/8" – 22* mm – Glass, 15/16" – 23.3** mm – Stainless steel, DGC: Minimum installation height 36" – 914 mm from floor to the device installation surface



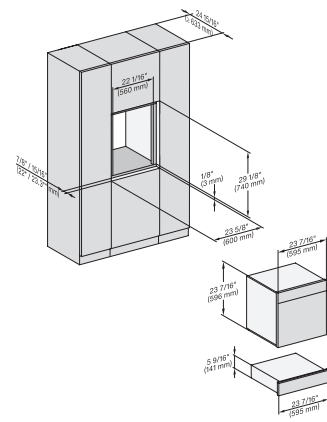
side view, Flush inset, combi, 450S, ESW

7/8" – 22* mm – Glass, 15/16" – 23.3** mm – Stainless steel



Einbau, Flush inset, combi, 450S, ESW

7/8" – 22* mm – Glass, 15/16" – 23.3** mm – Stainless steel, DGC: Minimum installation height 36" – 914 mm from floor to the device installation surface

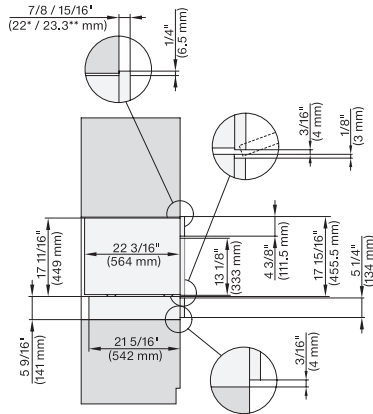


Installation Flush inset, combi, 650S, ESW

7/8" – 22* mm – Glass, 15/16" – 23.3** mm – Stainless steel

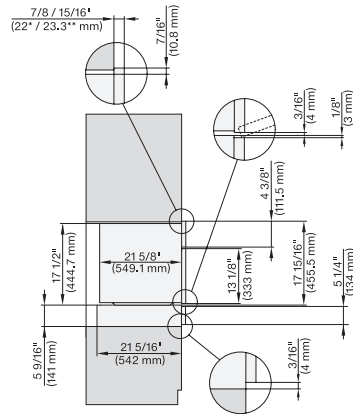
EVS 7010 AM

Handleless vacuum sealing drawer, 24" width and 5 5/8" height for professional vacuum sealing of food.



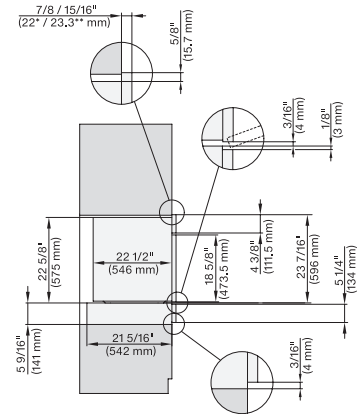
side view, Proud, combi, DGC XL ESW

7/8" – 22* mm – Glass, 15/16" – 23.3** mm – Stainless steel, DGC: Minimum installation height 36" – 914 mm from floor to the device installation surface



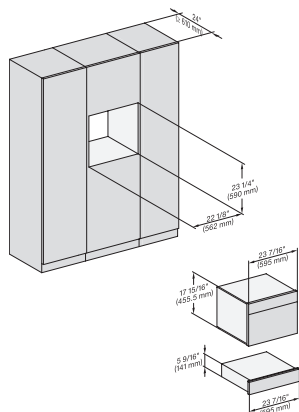
side view, Proud, combi, 450S ESW

7/8" – 22* mm – Glass, 15/16" – 23.3** mm – Stainless steel



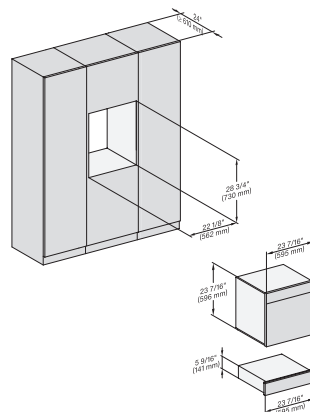
side view, Proud, combi, 650S, ESW

7/8" – 22* mm – Glass, 15/16" – 23.3** mm – Stainless steel



Installation Proud, combi, 450S ESW

DGC: Minimum installation height 36" – 914 mm from floor to the device installation surface



Installation Proud, combi, 650S ESW