

Gallico 30" Single Built-in French Door Electric Wall Oven 3.68 cu.ft

Model: FBOEL1333-30



Features And Benefits

- Sous-Vide Function
- Air-Fry Kit Included
- 3.68 Cu.ft. True Convection Ovens
- Stianless-Steel Standard Removable Racks
- French Door Oven
- Black Interior Finish
- LED Display Screen
- Safety Lock
- 2 Interior Lights

APPEARANCE

Unit Material	Stainless Steel
Unit Color	Stainless Steel
Door Style	French Door
Door Color	Stainless Steel
Knob Type	Knob With Bezel
Knob Color	Stainless Steel
Handle Design	Forno Design
Handle Color	Stainless Steel
Number Of Ovens	1
Fingerprint Resistant	No
Case Material	Galvanized Plate

FEATURES

Convection Technology Type:	True Convection
Oven Cleaning Type	Steam
Is The Knob Dishwasher Safe	Yes
Audio Preheat Signal	No
Light Indicator Preheat Signal	No
LED Screen Display	Yes
Auto Oven Shut Off With Override	Yes
Telescopic Removable Racks	Yes
Rack Material	Stainless-Steel
Oven Modes:	
Bake	Yes
Dehydrate	Yes
Convection bake	Yes
Rotisserie kit	No
Broil (high & low)	No
Convection Broil (high & low)	Yes
Convection Roast	Yes
Proof	No
Warming	Yes
Air fry	Yes
Sous-Vide	Yes
Sabbath	Yes
Self Clean	Yes
Door lock	Yes
Oven Lights	Yes
Clock	Yes
°C Or °F Programmable	Yes
Timer	No
Control Lock Option	Yes
Air-Fry kit	Yes
Safety Lock	Yes
Cooling Fan	Yes
Temperature Gauge	Yes (digital)
Oven Interior Color	Black
Oven Rack	2

DIMENSIONS & WEIGHT

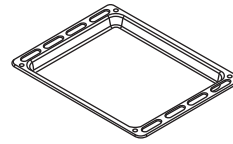
Product dimensions (WxHxD)(in)	30 x 25 x 30.5
Net weight (lbs)	173 lbs
Packaging dimensions (WxHxD)(in)	32.3 x 29.5 x 38.2
Shipping Weight (lbs)	240 lbs

TECHNICAL SPECIFICATIONS

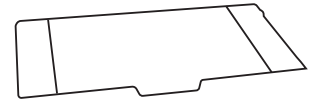
Circuit Breaker Amperage:	30 Amps
Volts:	240V
Frequency:	60Hz
Power Cord Length**:	5.25 ft
Receptacle Type:	Cable Wire
Certification	Etl Listed

**The power code does not include a plug

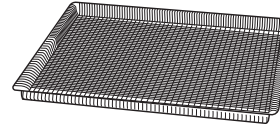
ACCESSORIES



Drip Pan

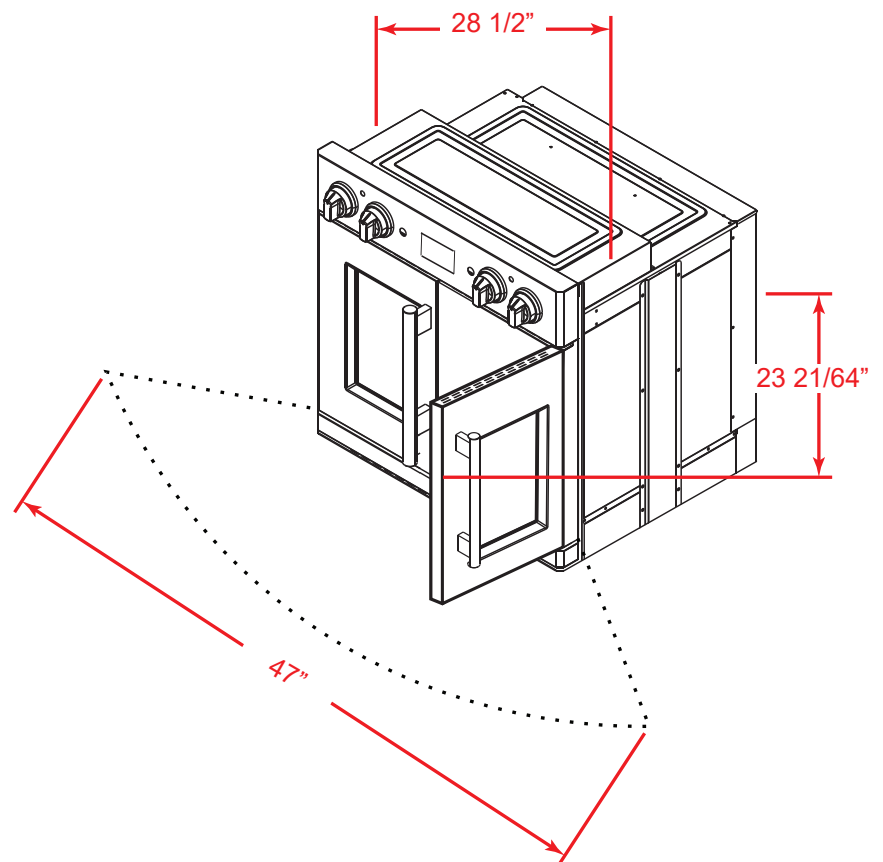
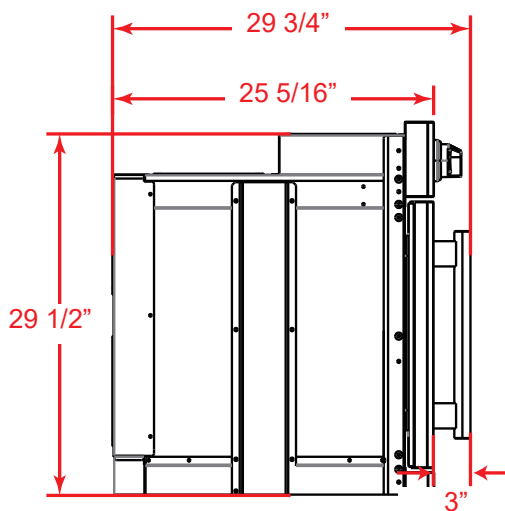
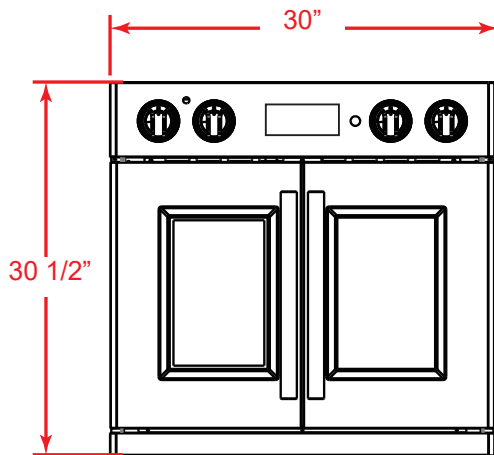


Air Fryer Rack



Stainless Air Fryer Basket

PRODUCT DIMENSION



CUTOUT DIMERNSION

