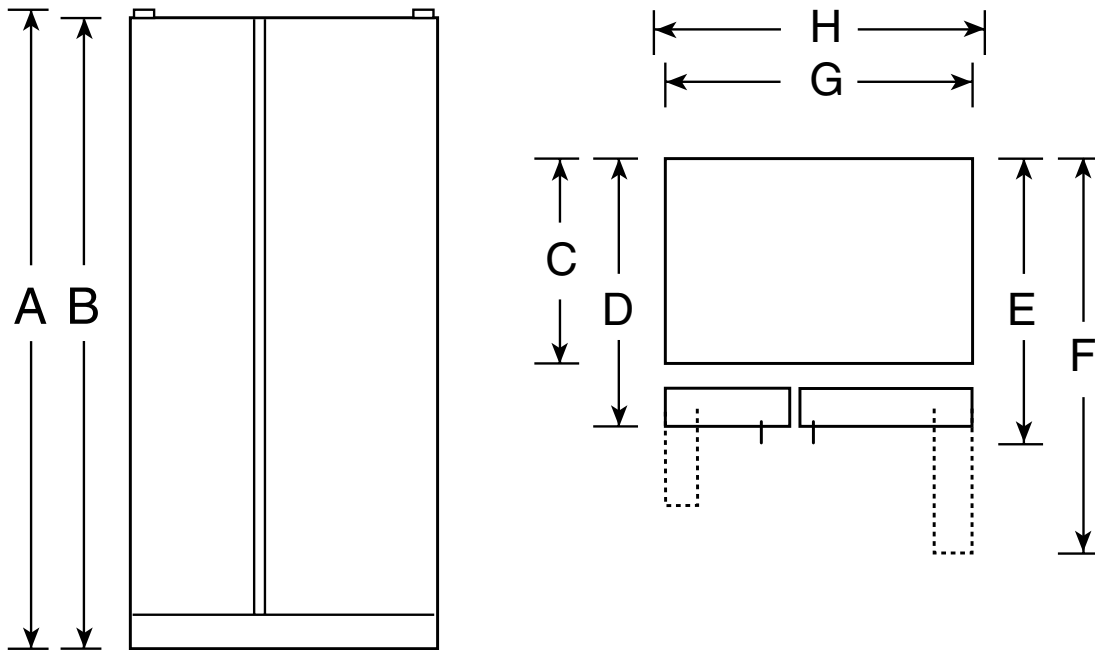




GE Appliances

GCL22KGR – GE® 22.1 Cu. Ft. CustomStyle™ CleanSteel™ Side-by-Side Refrigerator with Dispenser

Dimensions (in inches)



Overall Dimensions	Height to top of hinge (in.) A	69-1/4
	Height to top of case (in.) B	68-3/4
	Case depth without door (in.) C†	23-7/8
	Case depth less door handle (in.) D†	26-3/4
	Case depth with door handle (in.) E†	29-3/16
	Depth with fresh food door open 90° (in.) F†	45-9/16
	Width (in.) G	35-3/4
Air Clearances	Width with door open 90° with door handle (in.) H	38-3/16
	Each side (in.)	1/8
	Top (in.)	1
	Back (in.)	1

†Water hook-up fits in back air clearance when calculating installation depth.

If installed against a wall, allow clearance of 14-3/16" on freezer side to remove bin.

Clearance required to remove fresh food full-size pan without disassembling is 18-15/16".

Allow additional space for any necessary leveling adjustments.



Total volume and shelf area are calculated by the Association of Home Appliance Manufacturers' standards.



Listed by Underwriters Laboratories

For answers to your Monogram®, GE Profile™ or GE® appliance questions, visit our website at GEAppliances.com or call GE Answer Center® service, 800.626.2000.



GE Appliances

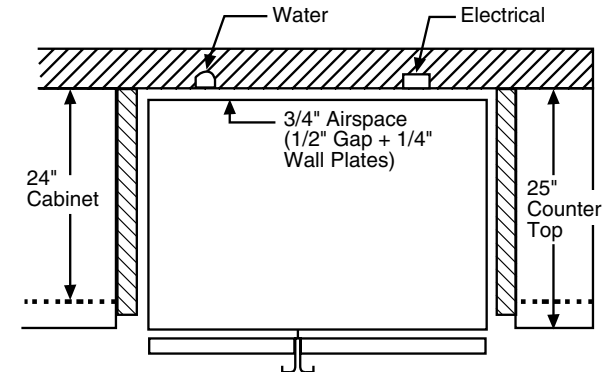
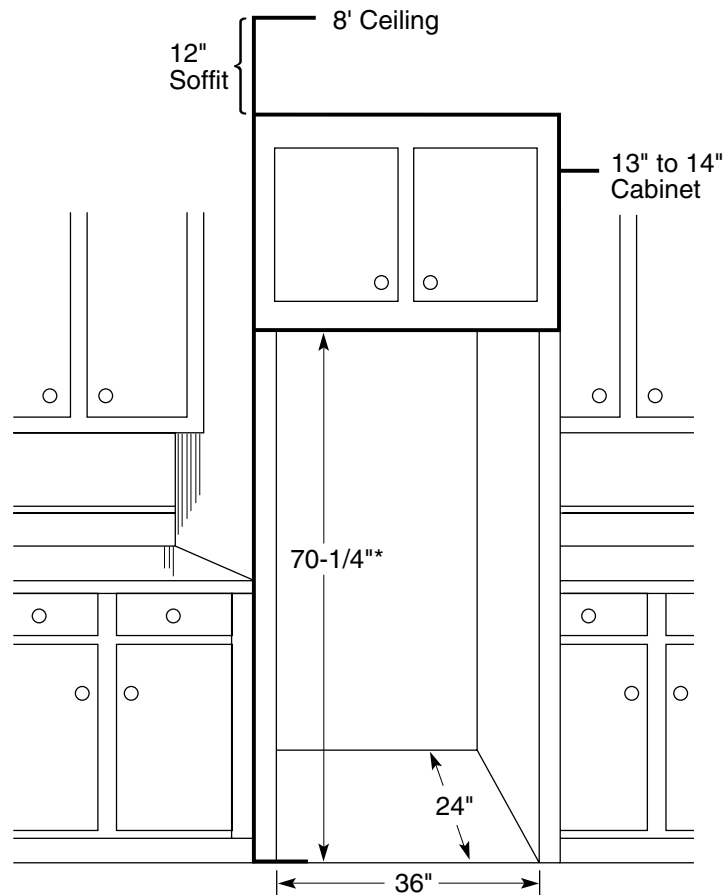
GCL22KGR – GE® 22.1 Cu. Ft. CustomStyle™ CleanSteel™ Side-by-Side Refrigerator with Dispenser

Rough-In Dimensions

Standard, New Construction and Replacement Installation

Installation Tips to Maximize the Built-In Look

- All wall/floor molding should be removed prior to installation.
- Water recess on rear wall recommended to prevent water line damage. 48" minimum length, 1/4" diameter water line tubing recommended.
- When possible, recess both copper water line and electrical outlet.
(See local codes)
- Front and rear leveling legs are adjustable for the built-in look.
(See owner's manual)
- If optional collar trim kit is to be used or anticipated, see collar trim installation on next page for different rough-in dimensions.



*The rough-in dimension of 70-1/4" is minimum and is measured from the finished floor to top of opening (or the underside of the overhead cabinets). For Models with Trim Kit: If frameless style cabinets are planned for above the refrigerator, you may need to consider adding a maximum of 1/4" (70-1/2") to height of opening to allow additional clearance between cabinet doors and top of refrigerator trim when cabinet doors are in open position.



Total volume and shelf area are calculated by the Association of Home Appliance Manufacturers' standards.



Listed by Underwriters Laboratories



For answers to your Monogram®, GE Profile™ or GE® appliance questions, visit our website at GEAppliances.com or call GE Answer Center® service, 800.626.2000.

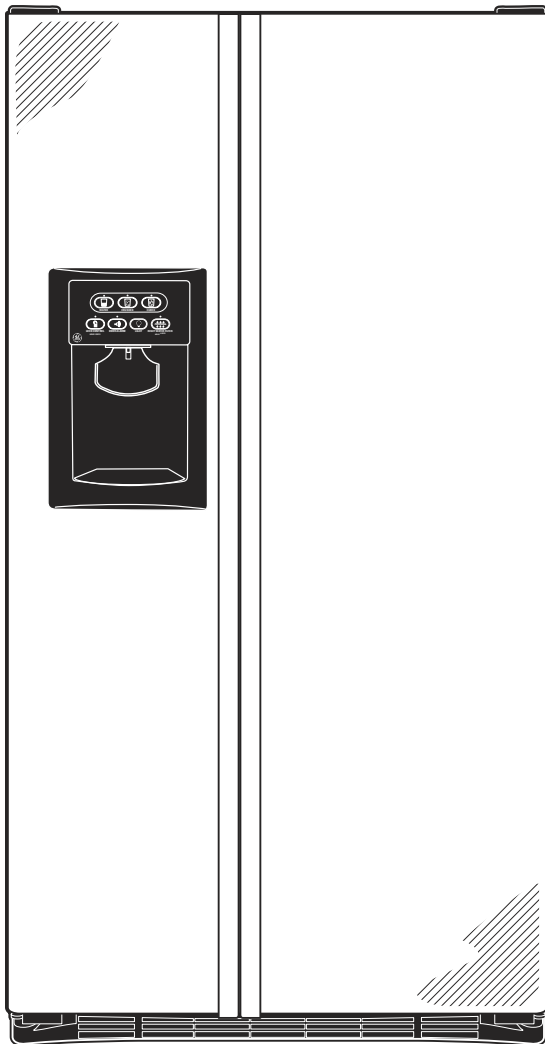
Specification Created 7/05

310198



GE Appliances

GCL22KGR – GE® 22.1 Cu. Ft. CustomStyle™ CleanSteel™ Side-by-Side Refrigerator with Dispenser



Features and Benefits

- CleanSteel™ Exterior – Offers a premium stainless look that resists fingerprints, smudges, and smears
- CustomStyle™ configuration – Offers a built-in look without the built-in expense
- Upfront, Electronic Touch Temperature Controls – Extremely precise and easy to use.
- Adjustable Slide-Out, Spill Proof Glass Shelves – Shelves slide out, and spills stay put.
- FrostGuard™ technology – Reduces freezer burn, so foods retain their texture and flavor
- Tall LightTouch! Dispenser – Provides chilled water, cubed ice or crushed ice at the slightest touch.
- GE SmartWater™ Plus Filtration System – Delivers clean, great-tasting water and ice through the LightTouch! Dispenser with indicator light.
- Model GCL22KGRSV – CleanSteel™

Specification Created 7/05

310198