

# GCWN5050M

## GE® 3.6 DOE cu. ft. stainless steel capacity washer

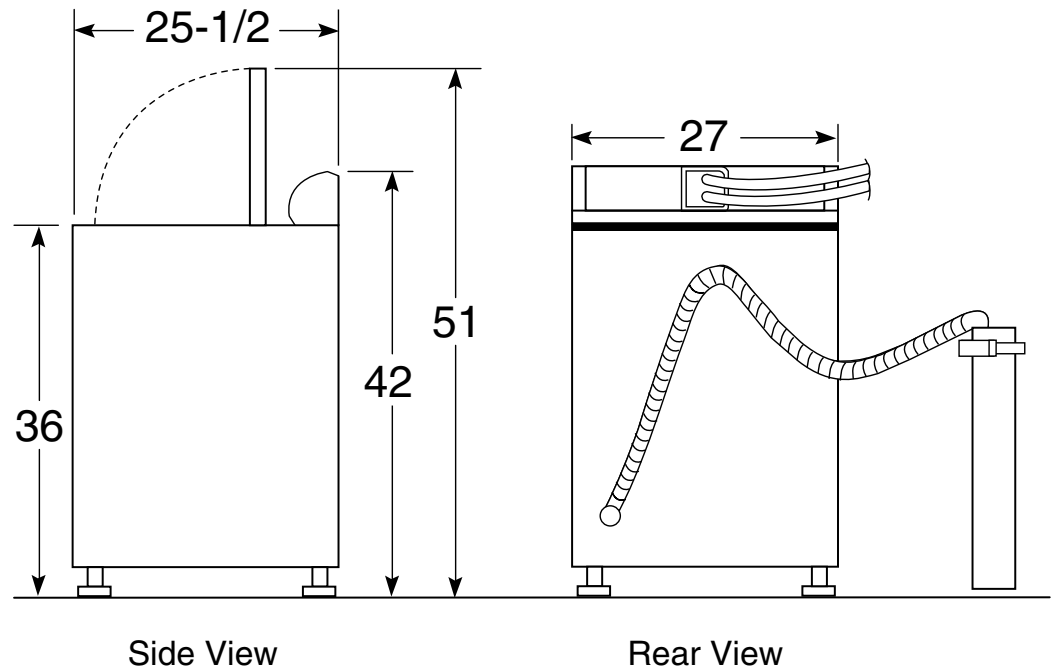
### Dimensions and Installation Information (in inches)

**Circuit Requirements:** An individual, properly-grounded branch circuit, with a three-prong grounding-type receptacle, protected by a 15 or 20 amp circuit breaker or a time-delay fuse, is required.

**Electrical Rating:** 120V, 60Hz, 10A

**Note:** Washer wall outlet must be located within 36" of service code entry. Wall outlet must not be located behind dryer.

**Installation Information:** Before installing, consult installation instructions packed with product for current dimensional data.



For answers to your Monogram®, GE Profile™ or GE® appliance questions, visit our website at [geappliances.com](http://geappliances.com) or call GE Answer Center® service, 800.626.2000.

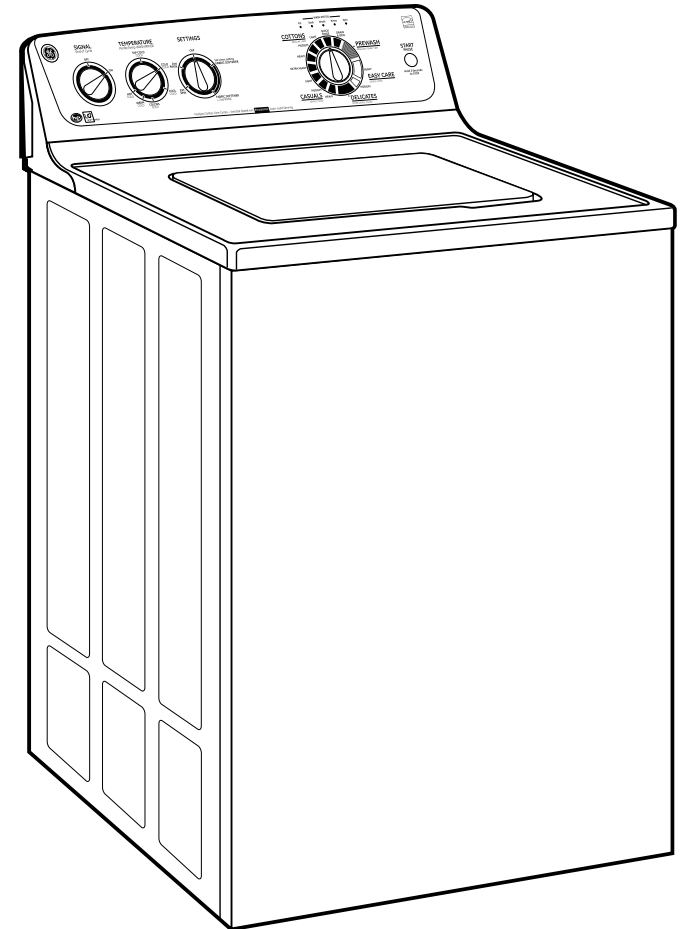


# GCWN5050M

## GE® 3.6 DOE cu. ft. stainless steel capacity washer

### Features and Benefits

- Inlet fill hoses included
- ENERGY STAR® qualified and CEE Tier II rated - Meets or exceeds federal guidelines for energy efficiency for year-round energy and money savings
- HydroWave wash system with HE LoWater wash and Infusor™ - Utilizes the concentrated power of HE detergent, requiring less water than a traditional topload washer to get clothes clean
- PreciseFill - Washer will automatically measure the load size and add just the right amount of water
- 5 wash/spin speed combinations - Washer alternates speeds for great clothes care
- 700 RPM Spin Speed - Fast spin speeds remove water efficiently and minimize dry time
- Rotary electronic controls with cycle status lights - Make it easy to select and monitor wash cycles
- 6 wash/rinse temperatures - Multiple settings offer a greater degree of control over fabric cleaning and care
- Prewash Cycle - Allows clothing additional time to soak and agitate to help remove stubborn stains
- Model GCWN5050MWW – White with silver backslash



Modified Energy Factor (MEF)	2.20
Water Factor (WF)	4.50

