

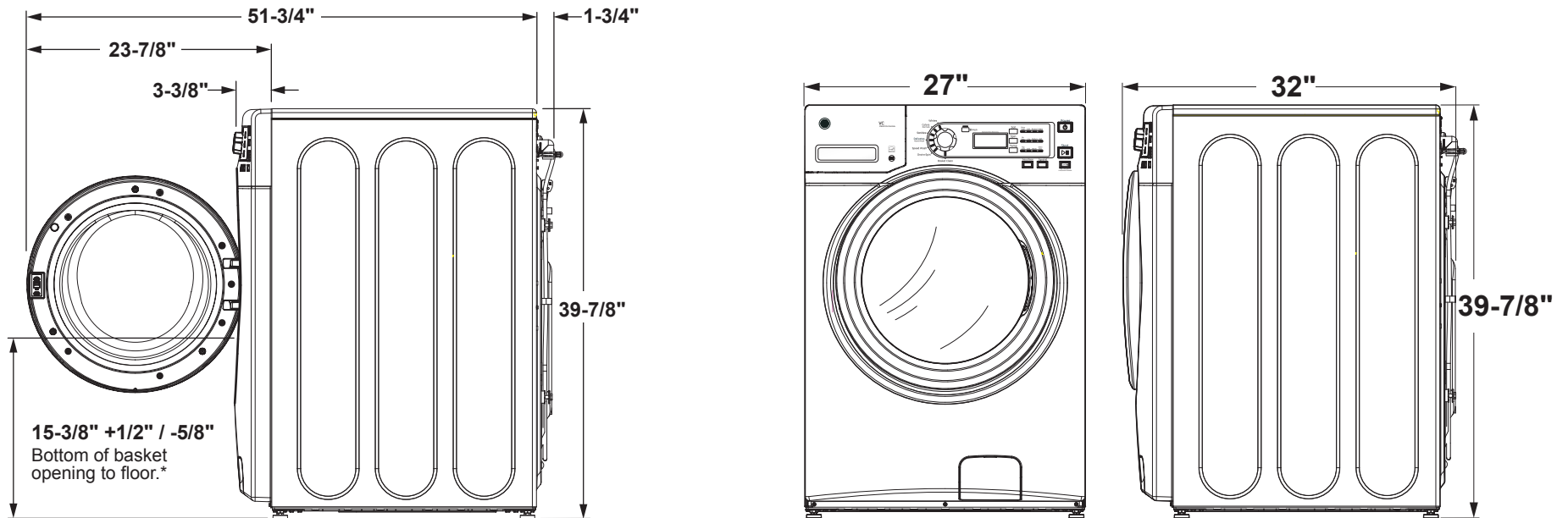
GFWN1100H

*GE Appliances Energy Star® 3.6 DOE IEC Cu. Ft. Capacity
Frontload Washer With Stainless Steel Basket*

DIMENSIONS AND INSTALLATION INFORMATION (IN INCHES)

ELECTRIC RATING	
120V	12.0A, 60Hz

INSTALLATION INFORMATION: For complete information, see installation instructions packed with your washer.



*With leveling leg adjust.

Above illustration intended for dimensional reference only. Refer to photograph for actual product appearance.



For answers to your Monogram, GE Café™ Series, GE Profile™ Series or GE Appliances product questions, visit our website at geappliances.com or call GE Answer Center® Service, 800.626.2000.



Specification Revised 2/16

GFWN1100H

GE Appliances Energy Star® 3.6 DOE IEC Cu. Ft. Capacity Frontload Washer With Stainless Steel Basket

SPECIAL INSTALLATION REQUIREMENTS

STACKED INSTALLATION:

-Brackets for stacking dryer over washer are not included with the washer.
Order part no. GEFLSTACK or part no. WE25X10018.

ALCOVE OR CLOSET INSTALLATION:

-If your dryer is approved for installation in an alcove or closet, it will be stated on a label on the dryer back.

-The dryer **MUST** be exhausted to the outside.

-Minimum clearances between dryer cabinet and adjacent walls or other surfaces are: 0" either side, 3" front and rear

-Minimum vertical space from floor to overhead cabinets, ceilings, etc. is 52".

-Closet doors must be louvered or otherwise ventilated and must contain a minimum of 60 sq. in. of open area equally distributed. If this closet contains both a washer and a dryer, doors must contain a minimum of 120 sq. in. of open area equally distributed.

-No other fuel-burning appliance shall be installed in the same closet with a gas dryer.

BATHROOM OR BEDROOM INSTALLATION:

-The dryer **MUST** be exhausted to the outdoors.

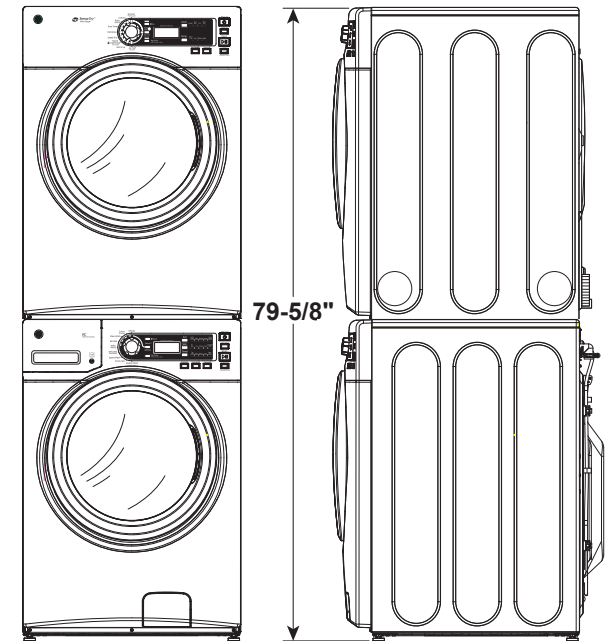
-The installation must conform with the local codes, or in the absence of local codes, with the National Electric Code and National Fuel Gas Code, ANSI Z223.

MINIMUM CLEARANCE OTHER THAN ALCOVE OR CLOSET INSTALLATIONS:

-Minimum clearances to combustible surfaces 0" both sides, 3" rear.

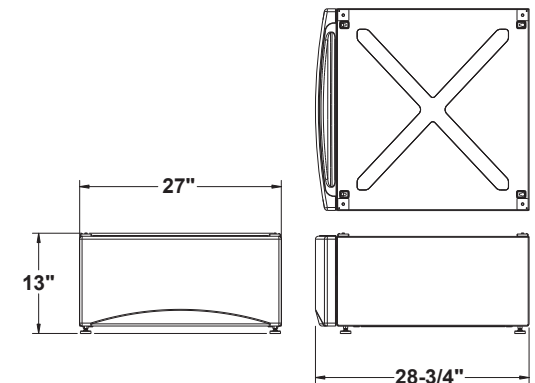
**FOR MORE INFORMATION ON VENTING KITS AND ACCESSORIES,
PLEASE CALL 1-800-GE-CARES.**

STACKED DIMENSIONS (IN INCHES)



PEDESTAL DIMENSIONS (IN INCHES) SBSD137HWW - WHITE

This optional 13" pedestal raises the door opening and height of the washer or dryer. Feet on 13" pedestal allow it to adjust to 13-3/8" height.



Above illustrations intended for dimensional reference only.
Refer to photography for actual product appearance.



For answers to your Monogram, GE Cafe™ Series, GE Profile™ Series or
GE Appliances product questions, visit our website at geappliances.com
or call GE Answer Center® Service, 800.626.2000.



Specification Revised 2/16

GFWN1100H

GE Appliances Energy Star® 3.6 DOE IEC Cu. Ft. Capacity Frontload Washer With Stainless Steel Basket

FEATURES AND BENEFITS

Stain Wash tackles the toughest stains, from fresh grass stains to food spills

Speed Wash provides a quick wash for lightly soiled items that are needed in a hurry

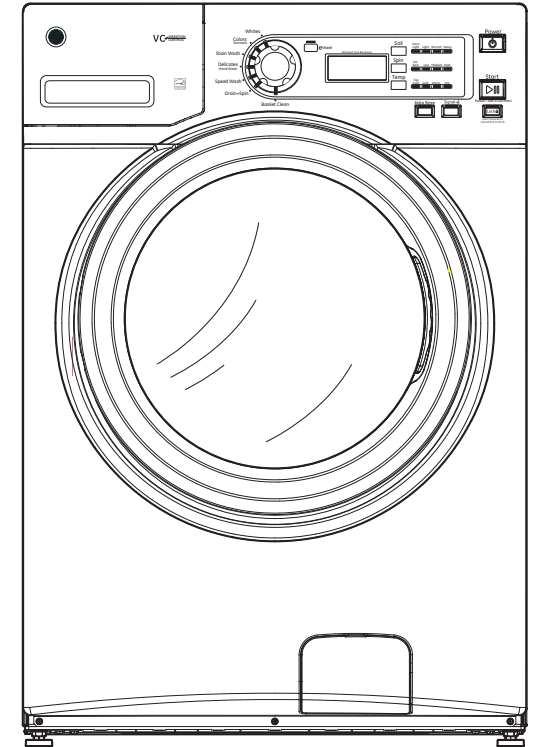
1000-RPM spin speed – fast spin speeds remove water efficiently and minimize dry time

Vibration Control adjusts spin patterns for each floor type for a smoother wash without walking or shaking

ENERGY STAR® qualified/CEE Tier I – meets or exceeds federal guidelines for energy efficiency for year-round energy and money savings

6 wash cycles handle various fabrics and soils

Model GFWN1100HWW – White



MODIFIED ENERGY FACTOR (IMEF)	2.55
IWATER FACTOR (IWF)	2.9

