

# GLDT690T/GLDT696T

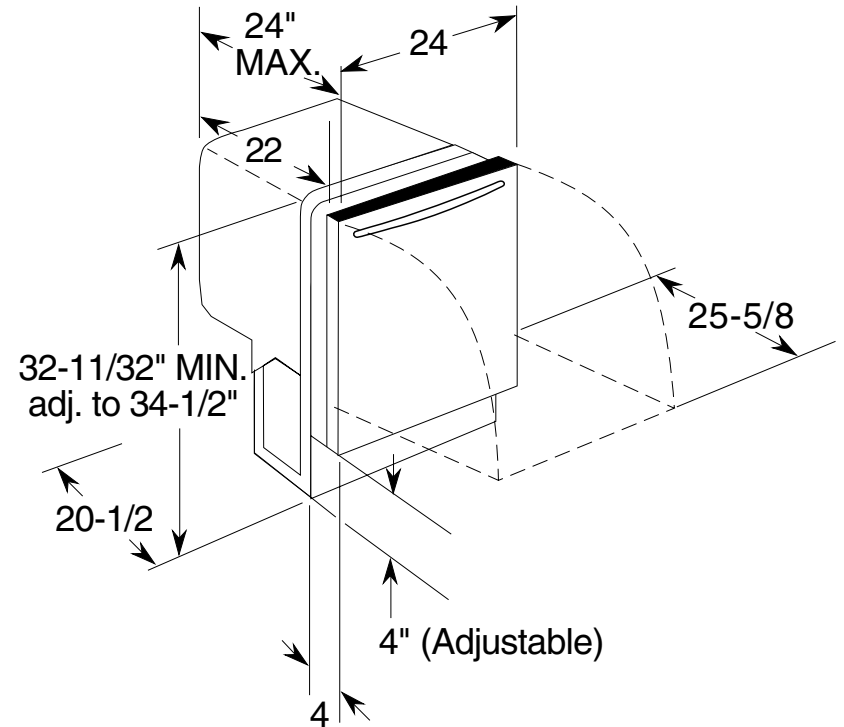
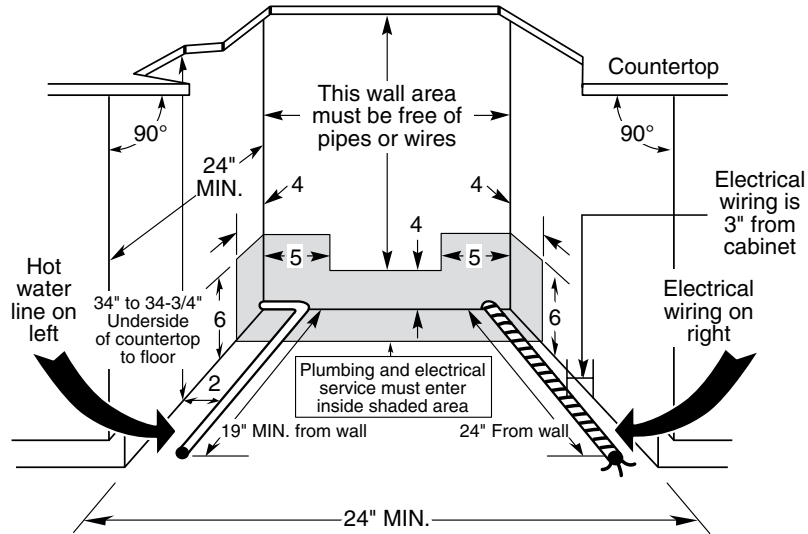
## GE® Built-In Dishwasher with Hidden Controls

### Dimensions and Installation Information (in inches)

#### Electrical Rating

Voltage AC.....	120
Hertz.....	60
Total connected load amperage.....	10
Calrod® heater watts max.....	875

For use on adequately wired 120-volt, 15-amp circuit having 2-wire service with a separate ground wire. This appliance must be grounded for safe operation.



For answers to your Monogram®, GE Profile™ or GE® appliance questions, visit our website at [ge.com](http://ge.com) or call GE Answer Center® service, 800.626.2000.

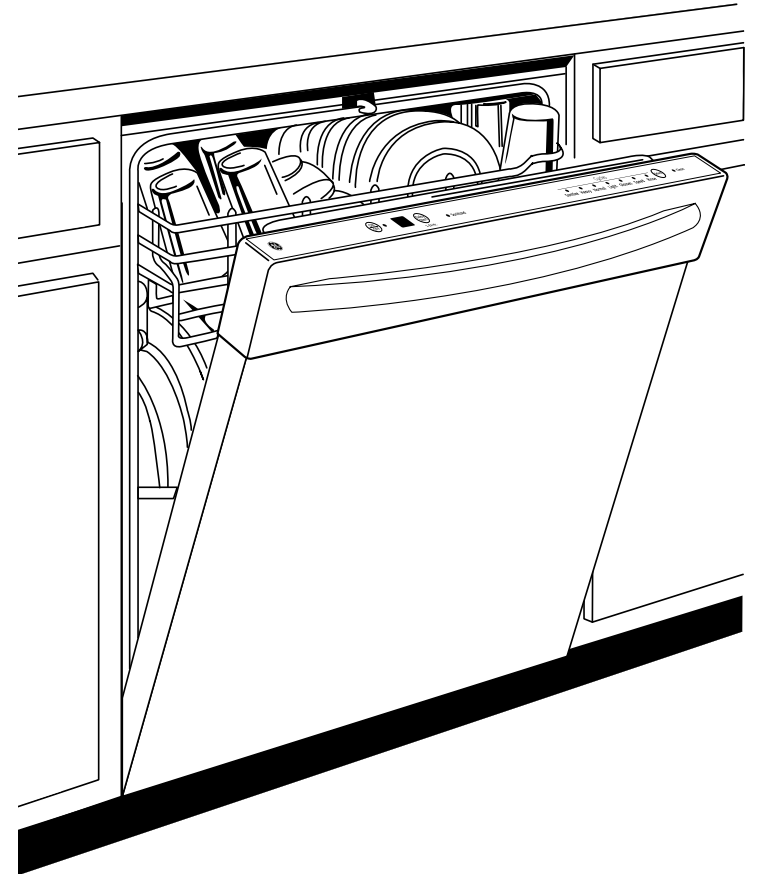


# GLDT690T/GLDT696T

## GE® Built-In Dishwasher with Hidden Controls

### Features and Benefits

- Bright, stainless steel interior
- Low-profile installation capable
- 5 wash levels - Scrub dishes clean
- 2-digit countdown display with 1-24 hr. delay start
- Two utility shelves in upper rack with StemSafe
- Nylon racks - Durable racks are designed to resist rust and secure dishes
- Audible end-of-cycle signal - The dishwasher makes a sound to tell you when the load is complete and dishes are ready to unload
- ADA-compliant - Dishwasher design allows for simple operation and easy access
- SaniWash Cycle - Special cycle reduces 99.99% of harmful germs and bacteria
- Model GLDT690TWW – White on white
- Model GLDT690TBB – Black on black
- Model GLDT696TSS – Stainless steel (shown)



imagination at work