

GE PROFILE™ AND GE® REFRIGERATORS

Fresh food. Fresh style. Fresh technology. How Refreshing!



Featuring GE Profile Arctica™ Refrigerators



We bring good things to life.

“The Ultimate in Refrigeration.”™

GE Profile Arctica™ refrigerators

bring a breath of **fresh** air to your kitchen

and your life. This new line performs on

demand with **innovative** cooling

capabilities. It impresses with its sophisticated,

dramatic design. And it offers

tremendous flexibility through a

user-friendly storage system. What’s behind

this breakthrough? GE has engineered

new refrigerators to meet energy

and environmental requirements for

2001 and 2003. We’ve invested hundreds

of millions of dollars to make Arctica

the **ultimate** in refrigeration.

CustomCool™ technology

Exclusive CustomCool technology gives you the ability to chill and thaw much faster than ever before possible. It also lets you select just-right temperatures for a variety of fresh foods.



ClimateKeeper™ system

Exclusive ClimateKeeper system helps preserve refrigerator contents by providing consistent cooling.



Contoured style

Arctica’s clean contours and lines are perfectly compatible with any kitchen setting.



Optimal accessibility

The interior is thoughtfully designed to offer exceptional convenience and flexibility.





GE Profile Arctica refrigerators offer exclusive cooling capabilities, dramatic styling and flexible features.

GE Profile Arctica™ Side-By-Side Refrigerators

Specialized settings let consumers customize cooling for a variety of foods.

GE Profile Arctica™ side-by-side refrigerators include a number of high-performance capabilities. Perhaps the most notable is our exclusive CustomCool™ technology. A fresh take on cooling, this bottom-bin feature offers three settings for different lifestyle needs:

ExpressChill™ setting chills foods and beverages in minutes, not hours.

ExpressThaw™ setting thaws meats and other freezer items in hours, not days.

SelectTemp™ setting allows consumers to select just-right temperatures for specific foods.

Using these specialized settings, consumers are able to avoid the last-minute rush and simply relax. Whether the occasion calls for impromptu hors d'oeuvres for 20 or filet mignon for two, CustomCool takes care of everything.



It chills!



It thaws!



It preserves!



CustomCool express settings speed up thawing and chilling, and a variable temperature setting assists in food preservation.



Easy access

Slide 'n Store™ freezer baskets extend fully, making foods accessible. Wire mesh design allows air to circulate.



Consistent temperature

Our exclusive ClimateKeeper™ system makes Arctica the perfect haven for fresh foods.



Brilliant lighting

The revolutionary tri-level lighting system brightens the fresh food compartment with 200 watts of light.



Tall dispenser

The LightTouch! dispenser fills tall orders, accommodating everything from blenders to pitchers.

GE Profile Arctica™ Side-By-Side Models: 29 to 25 cu. ft.

These models include • Contoured doors • ClimateKeeper™ system • Electronic touch temperature controls • Digital temperature display • CustomCool™ technology • FrostGuard™ technology • SmartWater™ Plus filtration system • FreshSaver™ filter • Beverage rack • Quick Ice™ feature • Water filter indicator light • LightTouch! tall dispenser with child lock and door alarm • Premium quiet design • Integrated shelf support system • QuickSpace™ shelf • Two slide-out, spill-proof glass shelves • ClearLook™ adjustable door bins • Gallon door storage • Slide 'n Store™ full-extension freezer baskets • Wire slide-out freezer basket • Tilt-out wire freezer door bins • Contoured Profile handles • Tri-level lighting • NeverClean™ condenser

Note: bold = feature upgrade from previous model

ONLY GE HAS IT!

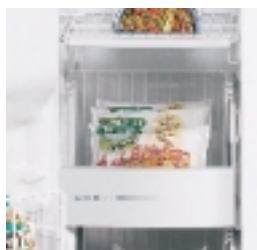


CustomCool technology chills food and beverages in minutes not hours, thaws frozen food in hours not days and allows you to select just-right temperatures for fruits and vegetables

ONLY GE HAS IT!



ClimateKeeper System combines an air tower, electronic sensors and electronic touch controls to keep temperatures consistent and help preserve refrigerator contents.



Slide 'n Store freezer baskets extend fully, making foods accessible. Wire mesh design allows air to circulate.

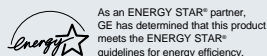


Refreshment Center provides easy access to frequently-used items.



GE Profile™ Dispenser models

- PSS29NGM**
• 28.6 cu. ft. capacity
- PSS27NGM** (not shown)
• 26.6 cu. ft. capacity
- PSS25NGM** (not shown)
• 25.3 cu. ft. capacity



As an ENERGY STAR® partner, GE has determined that this product meets the ENERGY STAR® guidelines for energy efficiency.

(Model PSS25NGM)

GE Profile™ Dispenser models

- PSS29NHM**
• 28.7 cu. ft. capacity • Refreshment center
- PSS27NHM** (not shown)
• 26.8 cu. ft. capacity • Refreshment center
- PSS27SHM** (not shown)
• 26.8 cu. ft. capacity • Refreshment center
- **Stainless steel model with black handles and black dispenser**

Not all features available on all models.

These models include • Contoured doors • ClimateKeeper™ system • Electronic touch temperature controls • FrostGuard™ technology • SmartWater™ Plus filtration system • FreshSaver™ filter • Beverage rack • Quick Ice™ feature • Water filter indicator light • LightTouch! tall dispenser with child lock and door alarm • Premium quiet design • Integrated shelf support system • QuickSpace™ shelf • ClearLook™ adjustable door bins • Gallon door storage • Two slide-out, spill-proof glass shelves • Wire slide-out freezer baskets • Contoured Profile handles • NeverClean™ condenser

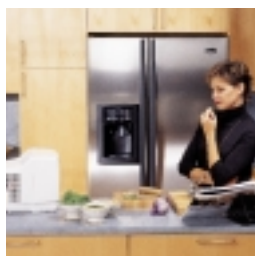
Note: bold = feature upgrade from previous model



Quick Ice feature provides ice up to 40 percent faster than normal settings for parties and social gatherings.

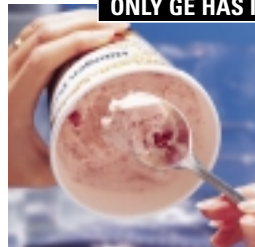


Taller LightTouch! dispenser fills sport bottles, pitchers, even blenders! Delivers chilled filtered water, crushed or cubed ice.



Premium Quiet Design—GE's best noise reduction system.

ONLY GE HAS IT!



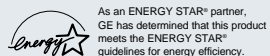
FrostGuard technology reduces freezer burn.



GE Profile™
Dispenser models

PSS27SGM Stainless steel
• **26.6 cu. ft. capacity** • CustomCool™ technology • Digital temperature display • Slide 'n Store™ full-extension freezer baskets • Tri-level lighting • Black handles and black dispenser

PSS25SGM (not shown)
• 25.3 cu. ft. capacity • CustomCool™ technology • Digital temperature display • Slide 'n Store™ full-extension freezer baskets • Tri-level lighting • Stainless steel model with black handles and black dispenser



(Model PSS25SGM)

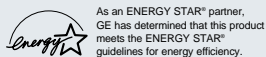


GE Profile™
Dispenser models

PSS29MGM
• **28.7 cu. ft. capacity** • Dual-level lighting

PSS27MGM (not shown)
• **26.7 cu. ft. capacity** • Dual-level lighting

PSS25MGM (not shown)
• 25.4 cu. ft. capacity
• Dual-level lighting



(Model PSS25MGM)

GE Profile Arctica CustomStyle™ Side-By-Side Refrigerators

Trimless and installed trim models



GE Profile™ *Trimless Model* **PSC23NGMWW**

Trimless models:

**Installation made easy,
simply slide in.**

Trimless CustomStyle units install by simply sliding into—way into—the space between cabinets. Because they align with counters, CustomStyle refrigerators instantly look built-in. And there's nothing to attach or custom build. Available in stainless steel, white, bisque and black.

Trimless models shown on page 10.



GE Profile™ *Installed Trim Model* **PSI23MGMBB**

Installed trim models:

Another way to customize.

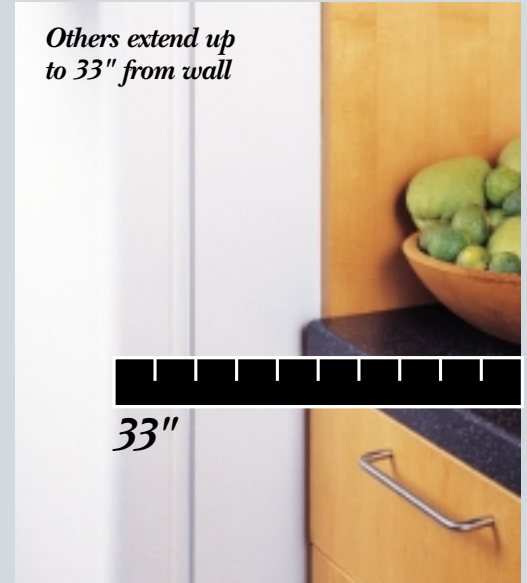
Whether you're building a brand-new kitchen or planning for a renovation, GE opens a world of design possibilities. CustomStyle refrigerators accept a variety of door panels: stainless steel, as well as acrylic panels in white, bisque or black from GE. You also have the option of making or installing your own custom wood panels.

The choices are simple. Installed trim models shown on page 11.

*Shown with a custom wood panel
and optional collar trim TRMBISBB.*

Side-By-Side Refrigerators

*Others extend up
to 33" from wall*



33"

*GE CustomStyle
extends 26" from wall*



26"
*saves
nearly
7"*

Because they install nearly flush with the cabinets, these refrigerators save floor space. They don't stick out into the kitchen!

GE Profile Arctica CustomStyle™ Side-By-Side trim and panel options

Installed Trim Models

Optional door panels are another way to customize.

When you choose GE CustomStyle refrigerators with installed trim, the choices of design are practically endless. Order stainless steel panels or acrylic panels in white, bisque or black from GE, or make and install your own custom wood panels to accent the cabinetry in your kitchen.

Panels available:

Model PSI23MCM is available with white, bisque, black or your own custom wood panel options.

Models PSI23MGM and PSI23NGM are available with stainless steel, white, bisque, black or your own custom wood panel options.

Dispenser Models



PSI23NGMBB
Shown with optional black acrylic panels. SmartWater™ Plus filtration system, LightTouch! dispenser.



PSI23NGMBB
Shown with custom wood panels. SmartWater Plus filtration system, LightTouch! dispenser.



PSI23MGMWW
Shown with optional white acrylic panels. SmartWater Plus filtration system, LightTouch! dispenser.



PSI23MGMCC
Shown with custom wood panels. SmartWater Plus filtration system, LightTouch! dispenser.



PSI23NGMCC
Shown with optional bisque acrylic panels. SmartWater Plus filtration system, LightTouch! dispenser.

Non-Dispenser Models



PSI23MCLBB
Shown with optional black acrylic panels. Non-dispenser.



PSI23MCLWW
Shown with optional white acrylic panels. Non-dispenser.



Optional collar trim is available for all models listed here. The optional collar trim is just another way GE lets you integrate our CustomStyle refrigerators into your kitchen decor. Available in stainless steel, white, bisque and black, this trim frames the refrigerator facade, creating the finished look of a built-in, custom kitchen. Collar trim: TRMBISSS, TRMBISWW, TRMBISCC, TRMBISBB.

GE Profile Arctica CustomStyle™ Side-By-Side Models: 23 cu. ft.

These models include • ClimateKeeper™ system • Electronic touch temperature controls • FrostGuard™ technology • SmartWater™ Plus filtration system • FreshSaver™ filter • Beverage rack • Quick Ice™ feature • Water filter indicator light • LightTouch! tall dispenser with child lock and door alarm • Premium quiet design • Integrated shelf support system • Two slide-out, spill-proof glass shelves • QuickSpace™ shelf • ClearLook™ adjustable door bins • Gallon door storage • Wire slide-out freezer baskets • Tilt-out wire freezer door bins • Contoured Profile handles • NeverClean™ condenser

Note: bold = feature upgrade from previous model

ONLY GE HAS IT!



ClimateKeeper™ System combines an air tower, electronic sensors and electronic touch controls to keep temperatures consistent and help preserve refrigerator contents.

ONLY GE HAS IT!



The ExpressThaw™ setting in the exclusive CustomCool bin thaws meats and other freezer items in hours, not days!

ONLY GE HAS IT!



SmartWater Plus filtration system provides clean, better-tasting water and ice through the LightTouch! dispenser.

ONLY GE HAS IT!



GE's exclusive FreshSaver filter absorbs the ethylene gases that can hasten the deterioration of fruits and vegetables.



GE Profile™

Trimless dispenser models

PSC23SHM Stainless steel

- 22.7 cu. ft. capacity • Refreshment center • Digital temperature display • CustomCool™ technology
- Slide 'n Store™ full-extension freezer baskets
- Tri-level lighting • Trimless rounded doors, **black contoured Profile™ handles and black dispenser**

PSC23NHM (not shown)

- 22.7 cu. ft. capacity • Refreshment center • Digital temperature display • CustomCool technology
- Slide 'n Store full-extension freezer baskets
- Tri-level lighting • Trimless rounded doors



GE Profile™

Trimless dispenser models

PSC23NGM

- 22.6 cu. ft. capacity • Digital temperature display • CustomCool technology • Slide 'n Store full-extension freezer baskets • Tri-level lighting

PSC23SGM Stainless steel (not shown)

- 22.6 cu. ft. capacity • Digital temperature display • CustomCool technology • Slide 'n Store full-extension freezer baskets • Tri-level lighting
- Trimless rounded doors, **black contoured Profile™ handles and black dispenser**



GE Profile™

Trimless dispenser model

PSC23MGM

- 22.7 cu. ft. capacity • Dual-level lighting

Not all features available on all models.



GE Profile™
Installed trim dispenser model

PSI23NGM

- 22.6 cu. ft. capacity • Digital temperature display • CustomCool™ technology • Slide 'n Store™ full-extension freezer baskets • Tri-level lighting • Squared doors

Trimless dispenser model

PSI23SGM Stainless steel (not shown)

- 22.6 cu. ft. capacity • Digital temperature display • CustomCool technology • Slide 'n Store full-extension freezer baskets • Tri-level lighting • Squared doors, **full-length handles with stainless steel appearance and black dispenser**



GE Profile™
Trimless non-dispenser model

PSI23SCL* Stainless steel

- 22.7 cu. ft. capacity • Squared doors, **full-length handles with stainless steel appearance and black dispenser**

Installed trim non-dispenser model

PSI23MCL* (not shown)

- 22.7 cu. ft. capacity • Squared doors, full-length color-matched handles

*15% more efficient than 2000 standard.



GE Profile™
Installed trim dispenser model

PSI23MGM

- 22.7 cu. ft. capacity • Squared doors • Dual-level lighting

Your SmartWater™ Replacement Filter (GWF) can be ordered through the GE Answer Center® (1-800-626-2000), Customer Service Parts Center (1-800-626-2002) or through your Authorized GE Dealer.

Water Filter Warranty: Limited 30 days parts only warranty.

System Tested and Certified by NSF International against ANSI/NSF Standards 42 & 53 for:

Standard No. 42 Aesthetic Effects:
Chemical Unit
Taste and Odor Reduction
Chlorine Reduction, Class I
Mechanical Filtration Unit
Particulate Reduction, Class I

Standard No. 53 Health Effects:
Chemical Reduction Unit
Lead Reduction
Mechanical Filtration Unit
Turbidity Reduction
Cyst Reduction

SmartWater™ models only



Side-By-Side “L” Series Model: 25 cu. ft.

This model includes • Upfront electronic touch temperature controls • SmartWater™ filtration system, NSF Certified • LightTouch! tall dispenser with child lock • Integrated shelf support system • QuickSpace™ shelf • Two adjustable slide-out, spill-proof glass shelves • Snack pan • Adjustable humidity vegetable/fruit crisper • Three slide-out wire freezer baskets • Tilt-out wire freezer bin • Deluxe quiet design • Improved fresh food and freezer interior lighting



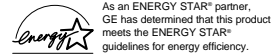
Integrated shelf support system offers maximum storage flexibility with easy-to-remove shelves.



Adjustable humidity crisper and adjustable temperature meat pan keep fruits and vegetables fresh longer.



GE
Dispenser model
GSS25LGM
• 25.4 cu. ft. capacity



Side-By-Side “S” Series Models: 25 to 22 cu. ft.

These models include • Upfront electronic temperature controls • FrostGuard™ technology • SmartWater™ Plus filtration system • LightTouch! tall dispenser with child lock • Water filter indicator light • QuickSpace™ shelf • Two slide-out, spill-proof glass shelves • Snack pan • Adjustable humidity vegetable/fruit crisper • Adjustable temperature meat pan • Gallon door storage • Four wire freezer shelves, three adjustable • One wire slide-out freezer basket • Deluxe quiet design • Dual-level lighting • Black premium deluxe handles • NeverClean™ condenser

Note: bold = feature upgrade from previous model



Convenient upfront electronic temperature controls are easy to see and set.



Adjustable humidity crisper and adjustable temperature meat pan keep foods fresh longer.



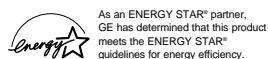
GE
Dispenser models

GSS22SGM Stainless steel
• 21.8 cu. ft. capacity • Trimless rounded doors with black handles and black dispenser trim

GSS25SGM Stainless steel (not shown)
• **24.9 cu. ft. capacity** • Trimless rounded doors with black handles and black dispenser trim

GSH22SGM Stainless steel (not shown)
• 21.8 cu. ft. capacity • Trimless rounded doors with black handles and black dispenser trim

GSH25SGM Stainless steel (not shown)
• 24.9 cu. ft. capacity • Trimless rounded doors with black handles and black dispenser trim



(Models GSH22SGM and GSH25SGM)

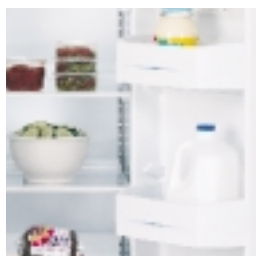
Side-By-Side “K” Series Models: 25 to 22 cu. ft.

These models include • Upfront electronic temperature controls • FrostGuard™ technology • SmartWater Plus filtration system • LightTouch! tall dispenser with child lock • Water filter indicator light • QuickSpace shelf • Two adjustable slide-out, spill-proof glass shelves • Snack pan • Adjustable humidity vegetable/fruit crisper • Four wire freezer shelves, three adjustable • One wire slide-out freezer basket • Adjustable temperature meat pan • Deluxe quiet design • Dual-level lighting • Premium handle • NeverClean™ condenser

Note: bold = feature upgrade from previous model



Taller LightTouch! dispenser fills sport bottles, pitchers, even blenders! Delivers chilled filtered water, crushed or cubed ice.



Fresh food gallon door storage provides maximum storage flexibility,



GE
Dispenser models

GSS25KGM

• 24.9 cu. ft. capacity

GSS22KGM (not shown)

• 21.8 cu. ft. capacity

GSH25KGM (not shown)

• 24.9 cu. ft. capacity

GSH22KGM (not shown)

• 21.8 cu. ft. capacity



As an ENERGY STAR® partner, GE has determined that this product meets the ENERGY STAR® guidelines for energy efficiency.

(Models GSH22KGM and GSH25KGM)

Side-By-Side “J” Series Models: 25 to 22 cu. ft.

These models include • Upfront electronic temperature controls • FrostGuard™ technology • LightTouch! tall dispenser • Three adjustable spill-proof glass shelves • Sealed crisper • Adjustable temperature meat pan • Gallon door storage • Deluxe quiet design • Dual-level lighting • Premium handles • NeverClean™ condenser **Note: bold = feature upgrade from previous model**



Deluxe Quiet Design—new design and enhanced components ensure quiet operation.



Sealed crisper and adjustable temperature meat pan keeps foods fresh longer.



GE
Dispenser models

GSS22JFM

• 21.8 cu. ft. capacity • SmartWater™ filtration system

GSS25JFM (not shown)

• **24.9 cu. ft. capacity** • SmartWater™ filtration system

GSS22JEM (not shown)

• 21.8 cu. ft. capacity

GSS25JEM (not shown)

• **24.9 cu. ft. capacity**

Side-By-Side “I” Series Models: 22 to 20 cu. ft.

These models include • Upfront electronic temperature controls • FrostGuard™ technology • Three adjustable glass shelves • Sealed crispers • Deluxe quiet design • Dual-level lighting • NeverClean™ condenser **Note: bold = feature upgrade from previous model**



Fresh food gallon door storage provides maximum storage flexibility.



Deluxe Quiet Design—new design and enhanced components ensure quiet operation.



GE
Non-dispenser models

GSS22IBM

• **21.7 cu. ft. capacity** • Two adjustable fresh food door bins • Equipped for optional electronic automatic icemaker

GSS20IBM (not shown)

• 19.8 cu. ft. capacity



GE
Dispenser model

GSS20IEM

• 19.9 cu. ft. capacity • LightTouch! tall dispenser • Adjustable temperature meat pan

Not all features available on all models.

Side-By-Side “D” Series Model: 20 cu. ft.



Deluxe Quiet Design—
new design and enhanced
components ensure
quiet operation.



Gallon door storage
accommodates gallon
containers for quick access
to most-used items.



GE
Non-dispenser model

GSS20DBM

- 19.8 cu. ft. capacity
- Upfront electronic temperature controls
- FrostGuard™ technology
- Deluxe quiet design
- Equipped for optional electronic automatic icemaker
- Two sealed crispers
- Four fresh food door bins, two with gallon storage
- Four wire freezer shelves, three adjustable
- NeverClean™ condenser

GE Profile Arctica™ Top-Freezer Refrigerators

Top Performance.

Elegant curvaceous design graces Arctica top-freezer refrigerators, which are distinguished by radius doors and rounded storage bins.

Arctica's performance is even more dramatic.

The innovative ClimateKeeper™ system adapts to levels of activity and location, keeping the temperature on an even keel.

Arctica top-freezers not only provide precise temperature management, but they also offer optimal ease and accessibility.

Adjustable storage bins put all contents within convenient reach, while the dual fresh food lighting system and freezer dome light let you fully satisfy your midnight cravings.



ONLY GE HAS IT!

Rapid recovery

Exclusive ClimateKeeper system quickly recovers from such variables as frequent door openings and changes in external temperature.



ONLY GE HAS IT!

Freezer innovation

Exclusive FrostGuard™ technology reduces freezer burn.



Stunningly styled inside and out, the GE Profile Arctica top-freezer refrigerators give you a brand-new way to enhance your kitchen.

GE Profile Arctica™ Top-Freezer Models: 25 to 22 cu. ft.

These models include • ClimateKeeper™ system • FrostGuard™ technology • Premium quiet design • ShelfSaver™ rack • Lift-off, slide-out, spill-proof glass shelves, three adjustable/split • Two adjustable humidity vegetable/fruit crispers • Adjustable temperature deli pan • Pivot-out pan removal system • One full-width, fixed tall bottle door bin • ClearLook™ adjustable gallon door bins • Equipped for optional electronic icemaker • Spill-proof freezer floor • Tilt-out locking freezer door bin • Improved upfront lighting • NeverClean™ condenser

Note: bold = feature upgrade from previous model



Convenient upfront electronic touch temperature controls are extremely accurate, easy to see and easy to set.

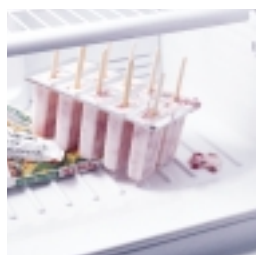


Pivot-out pan removal system makes cleaning crispers easier than ever.



ONLY GE HAS IT!

Locking tilt-out freezer bin conveniently tilts forward for easy access to items stored inside.



New seamless spill-proof freezer floor design makes freezer cleanup simple!



GE Profile™
Non-dispenser models

PTS22LBM

• 21.6 cu. ft. capacity

PTS25LBM (not shown)

• **24.6 cu. ft. capacity**

PTS22SBM (not shown)

• 21.6 cu. ft. capacity • **Stainless steel model**

PTS25SBM (not shown)

• **24.6 cu. ft. capacity** • **Stainless steel model**

GE Profile CustomStyle™ Top-Freezer Refrigerators

Trimless and installed trim models



GE Profile™ *Trimless Model* **PTC22SFMB5**

Trimless models:

**Installation made easy,
simply slide in.**

Trimless CustomStyle units install by simply sliding into—way into—the space between cabinets. Because they align with counters, CustomStyle refrigerators instantly look built-in. And there's nothing to attach or custom build. Available in stainless steel, white, bisque and black.

Trimless models shown on page 20.



GE Profile™ *Installed Trim Model* **PTI22SFMB5**

Installed trim models:

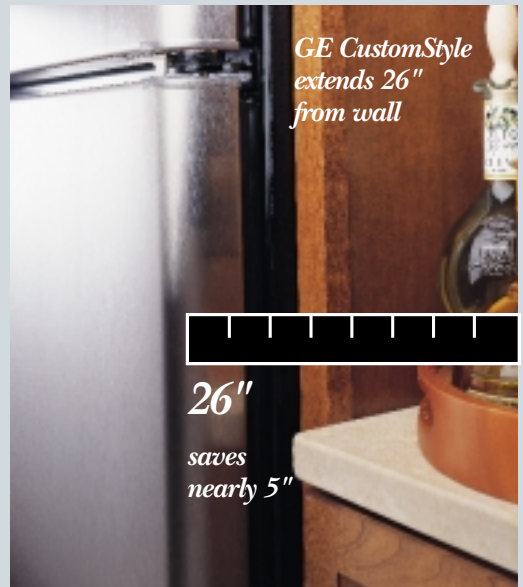
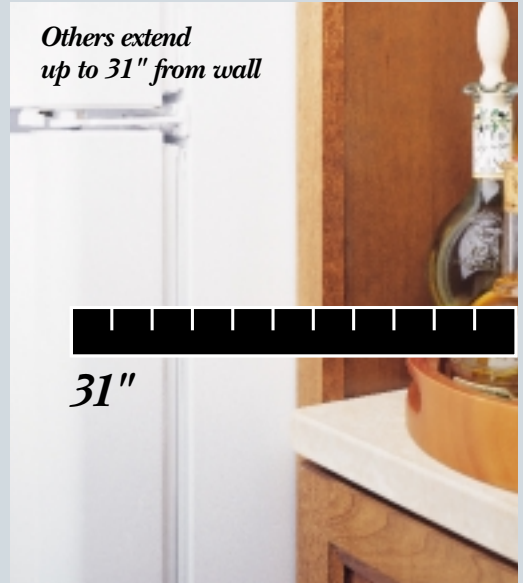
Another way to customize.

Whether you're building a brand-new kitchen or planning for a renovation, GE opens a world of design possibilities. CustomStyle refrigerators accept a variety of door panels: acrylic white or black and stainless steel, panels. The choices are simple.

CustomStyle refrigerators accept a variety of door panels: acrylic white or black and stainless steel, panels. The choices are simple.

Installed trim models shown on page 20.

Top-Freezer Refrigerators



Because they install nearly flush with the cabinets, these refrigerators save floor space. They don't stick out into the kitchen!

GE Profile CustomStyle™ Top-Freezer trim and panel options

Installed Trim Models

Optional door panels are another way to customize.

When you choose GE CustomStyle refrigerators with installed trim, the choices of design are practically endless. Order stainless steel panels or acrylic panels in white or black from GE, or make and install your own custom wood panels to accent the cabinetry in your kitchen.

Panels available:

Models PTI22MBM and PTI22MFM are available with stainless steel, white, black or your own custom wood panel options.

Dispenser Models



PTI22MFMWW
Shown with optional white acrylic panels. SmartWater™ Plus filtration system, LightTouch! dispenser.



PTI22MFMBB
Shown with optional stainless steel panels. SmartWater Plus filtration system, LightTouch! dispenser.



PTI22MFMBB
Shown with custom wood panels. SmartWater Plus filtration system, LightTouch! dispenser.



PTI22SFMBS
Shown with installed stainless steel panels. SmartWater Plus filtration system, LightTouch! dispenser.

Non-Dispenser Models



PTI22MBMBB
Shown with optional black acrylic panels. Non-dispenser.



PTI22MBMBB
Shown with optional stainless steel panels. Non-dispenser.



PTI22MBMBB
Shown with custom wood panels. Non-dispenser.



Optional collar trim is available for all models listed here.

The optional collar trim is just another way GE lets you integrate our CustomStyle refrigerators into your kitchen decor. Available in stainless steel, white and black, this trim frames the refrigerator facade, creating the finished look of a built-in, custom kitchen. Collar trim: TRMBISS, TRMBISWW, TRMBISBB.

GE Profile CustomStyle™ Top-Freezer Models: 22 cu. ft.

- These models include** • Upfront illuminated temperature controls • Beverage rack • Adjustable slide-out, spill-proof glass shelves • Adjustable humidity vegetable/fruit crispers • Slide-out, spill-proof crisper cover • ClearLook™ gallon door bins • Quick Store™ bin • Adjustable temperature meat pan • Adjustable dairy compartment • Upfront fresh food lighting

Note: bold = feature upgrade from previous model



SmartWater™ filtration system provides clean, better-tasting water and ice through the LightTouch! dispenser.



QuickSpace™ shelf slides back to store tall items.



ClearLook™ adjustable door bins store gallon containers with ease.



LightTouch! dispenser delivers cubes, crushed ice and chilled water.



GE Profile™ Trimless dispenser models

PTC22SFMR Stainless steel

- 21.7 cu. ft. capacity • **LightTouch! dispenser delivers cubes, crushed ice and chilled water**
- **SmartWater™ filtration system** • Trimless rounded doors, **black Profile™ handles and black dispenser**

PTC22MFMR (not shown)

- 21.7 cu. ft. capacity • **LightTouch! dispenser delivers cubes, crushed ice and chilled water**
- **SmartWater™ filtration system**

Trimless non-dispenser models

PTC22SBM Stainless steel (not shown)

- 21.9 cu. ft. capacity • Trimless rounded doors, **black Profile™ handles**

PTC22MBM (not shown)

- 21.9 cu. ft. capacity



As an ENERGY STAR® partner, GE has determined that this product meets the ENERGY STAR® guidelines for energy efficiency.

(Models PTC22SFMR and PTC22MFMR)



GE Profile™

Installed trim dispenser models

PTI22SFM Stainless steel

- 21.7 cu. ft. capacity • **Factory-installed stainless steel panels, trim, full-length handles and black dispenser** • **LightTouch! dispenser delivers cubes, crushed ice and chilled water** • **SmartWater™ filtration system**

PTI22MFM (not shown)

- 21.7 cu. ft. capacity • **LightTouch! dispenser delivers cubes, crushed ice and chilled water**
- **SmartWater™ filtration system**

Installed trim non-dispenser models

PTI22SBM Stainless steel (not shown)

- 21.9 cu. ft. capacity • **Factory-installed stainless steel panels, trim and full-length handles**

PTI22MBM (not shown)

- 21.9 cu. ft. capacity



As an ENERGY STAR® partner, GE has determined that this product meets the ENERGY STAR® guidelines for energy efficiency.

(Models PTI22SFM and PTI22MFM)

Top-Freezer “K” Series Models: 22 to 18 cu. ft.

These models include • Upfront illuminated temperature controls • Upfront fresh food lighting • Four adjustable spill-proof glass shelves • Three modular gallon door bins • One fixed tall bottle door bin • Snack pan • Two adjustable humidity vegetable/fruit crispers • Spill-proof freezer floor • Tilt-out locking freezer door bin • Deluxe quiet design • Freezer dome light • NeverClean™ condenser

Note: **bold** = feature upgrade from previous model



Pivot-out pan removal system makes cleaning crispers easier than ever (22 cu. ft. model only).



Newly-designed freezer floor has recessed edges to catch spills and simplify cleaning.



GE
Non-icemaker models

GTS22KBM

• 21.7 cu. ft. capacity
• **Pivot-out pan removal system** • **FrostGuard technology** • Clear utility bin • Equipped for optional electronic icemaker

GTS18KBM (not shown)

• 17.9 cu. ft. capacity • Clear utility bin • Equipped for optional electronic icemaker

Icemaker models

GTS22KCM (not shown)

• 21.7 cu. ft. capacity
• **Pivot-out pan removal system** • **FrostGuard technology** • Equipped with factory-installed electronic icemaker

GTS18KCM (not shown)

• 17.9 cu. ft. capacity • Equipped with factory-installed electronic icemaker

Top-Freezer “I” Series Models: 22 to 18 cu. ft.

These models include • Upfront illuminated temperature controls • Upfront fresh food lighting • Three adjustable glass shelves, two split and one full-width • Two full-width encapsulated door bins, one with gallon storage • Deluxe quiet design • NeverClean™ condenser

Note: **bold** = feature upgrade from previous model



Gallon door storage accommodates gallon containers for quick access to most-used items.



Deluxe Quiet Design—new design and enhanced components ensure quiet operation.



GE

Icemaker models

GTS18ICM

• 17.9 cu. ft. capacity
• Equipped with factory-installed electronic icemaker

GTS22ICM (not shown)

• 21.8 cu. ft. capacity
• **FrostGuard™ technology**
• Equipped with factory-installed electronic icemaker

Non-icemaker models

GTS18IBM (not shown)

• 17.9 cu. ft. capacity • Utility bin • Equipped for optional electronic icemaker

GTS22IBM (not shown)

• 21.8 cu. ft. capacity
• **FrostGuard™ technology**
• Utility bin • Equipped for optional electronic icemaker

Top-Freezer “H” Series Model: 18 cu. ft.



Gallon door storage accommodates gallon containers for quick access to most-used items.



Clear crispers provide easy storage for vegetables and fruits.



GE
Non-icemaker model
GTS18HBM

- 17.6 cu. ft. capacity
- Upfront temperature control
- Three adjustable glass shelves, two split and one full-width
- Two vegetable/fruit crispers
- Snack pan
- Two door shelves with gallon storage
- Utility bin
- Deluxe quiet design
- Equipped for optional electronic icemaker

Top-Freezer “F” Series Models: 22 to 18 cu. ft.

These models include • Upfront temperature controls • Three cabinet shelves, two wire, one glass • Two vegetable/fruit crispers • Snack pan • Two door shelves with gallon storage • Deluxe quiet design • Equipped for optional electronic icemaker • Never-Clean™ condenser

Note: bold = feature upgrade from previous model



Upfront illuminated temperature controls are easy to see and set.



Snack pan conveniently stores rewrapped meats, cheeses and snacks.



GE
Non-icemaker models

- GTS22FBM**
- 21.4 cu. ft. capacity
 - FrostGuard™ technology
 - Upfront illuminated temperature controls
- GTS18FBM** (not shown)
- 17.6 cu. ft. capacity

Top-Freezer “E” Series Model: 18 cu. ft.



Deluxe Quiet Design—new design and enhanced components ensure quiet operation.



GE
Non-icemaker model

GTS18EBM

- 17.6 cu. ft. capacity • Three cabinet shelves, 1 full-width wire, 1 split wire and 1 split glass • Two vegetable/fruit crispers • Snack pan • Two door shelves with gallon storage • Utility bin • Deluxe quiet design • Equipped for optional electronic icemaker • NeverClean™ condenser

Top-Freezer “D” Series Models: 18 cu. ft.

- These models include** • Upfront illuminated temperature controls • Three wire shelves, two adjustable split and one full-width
- Two vegetable/fruit crispers • Snack pan • Three door shelves with gallon storage • Deluxe quiet design • Upfront fresh food lighting
 - NeverClean™ condenser
- Note: bold = feature upgrade from previous model**



Upfront illuminated temperature controls are easy to see and set.



GE
Icemaker model

GTS18DCM

- 17.9 cu. ft. capacity • **Equipped with factory-installed electronic icemaker**

Non-icemaker model

GTS18DBM (not shown)

- 17.9 cu. ft. capacity • Equipped for optional electronic icemaker • Utility bin

Top-Freezer “B” Series Models: 18 to 12 cu. ft.

These models include • Upfront temperature controls • Two wire full-width shelves • Deluxe quiet design

Note: bold = feature upgrade from previous model



GE
Non-icemaker model

GTR18BBM

- **17.6 cu. ft. capacity** • Recessed handles
- **Utility bin** • Two vegetable/fruit crispers
- Two fixed door bins with tall bottle storage
- Two fixed freezer door shelves
- Equipped for optional electronic icemaker

Non-icemaker models

GTS17BBM (not shown)

- **16.9 cu. ft. capacity** • Two vegetable/fruit crispers
- Two fixed door bins with tall bottle storage
- Two fixed freezer door shelves
- Equipped for optional electronic icemaker

GTR17BBM (not shown)

- **16.9 cu. ft. capacity** • Recessed handles
- Equipped for optional electronic icemaker

Icemaker model

GTS17BCM (not shown)

- **16.9 cu. ft. capacity** • Two vegetable/fruit crispers
- Two fixed door bins with tall bottle storage
- Two fixed freezer door shelves
- Equipped with factory-installed electronic automatic icemaker

Non-icemaker models

GTS15BBM (not shown)

- **14.6 cu. ft. capacity** • Two vegetable/fruit crispers
- Two fixed door bins with tall bottle storage
- Two fixed freezer door shelves
- Equipped for optional electronic icemaker

GTR15BBM (not shown)

- **14.6 cu. ft. capacity** • Recessed handles
- Equipped for optional electronic icemaker

Icemaker model

GTS15BCM (not shown)

- **14.6 cu. ft. capacity** • Two vegetable/fruit crispers
- Two fixed door bins with tall bottle storage
- Two fixed freezer door shelves
- Equipped with factory-installed electronic automatic icemaker

Non-icemaker model

GTS12BBM (not shown)

- **11.7 cu. ft. capacity** • Two vegetable/fruit crispers
- Two fixed door bins with tall bottle storage
- Two fixed freezer door shelves
- Divided crisper
- Two and one-half fixed door bins
- Equipped for optional electronic icemaker

Top-Freezer “A” Series Models: 18 to 10 cu. ft.

These models include

- Upfront temperature controls
- Two wire full-width shelves
- Deluxe quiet design
- Never-Clean™ condenser

Note: bold = feature upgrade from previous model



GE

Non-icemaker models

GTS18ABM

- **17.6 cu. ft. capacity** • **One full-width vegetable/fruit crisper**
- **Two fixed door bins with tall bottle storage**
- Equipped for optional electronic automatic icemaker

GTS10AAM (not shown)

- **9.8 cu. ft. capacity** • Two wire full-width shelves
- **One full-width vegetable/fruit crisper**
- **One wire full-width freezer shelf**

Top-Freezer Cycle and Manual Defrost Refrigerators

These models include • Adjustable Wire Everwhite cabinet shelves • Full-width vegetable/fruit crisper • Tall bottle storage

Note: bold = feature upgrade from previous model



Wire Everwhite Shelves minimize shuffling and restacking of food.



Full-Width Crisper provides easy access to fruits and vegetables.



GE
Cycle Defrost Models

TDX11SNY

- 11.0 cu. ft. capacity • 4 door shelves, 2 adj.
- **3 adj. cabinet shelves** • Full-width freezer shelf

TDX9SNY (not shown)

- 9.0 cu. ft. capacity • 2 mini Ice 'N Easy trays
- 4 door shelves, 3 adj. • 2 adj. cabinet shelves



GE
Manual Defrost Model

GMS10AAM

- 9.6 cu. ft. capacity • 2 adj. wire Everwhite shelves

Compact 6.0 to 1.8 cu. ft. Spacemaker™ Refrigerators

Note: bold = feature upgrade from previous model



GE
Compact Model

GMR06AAM

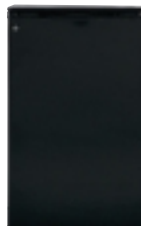
- 6.0 cu. ft. capacity • Two adjustable cabinet shelves
- **3 door shelves** • **Optional black panel** available with **TK6 trim kit** • Available in White



GE
Compact Model

GMR04AAM

- 4.3 cu. ft. capacity • Two adjustable cabinet shelves
- **Two and one-half door shelves** • **Vegetable/fruit pan** • **Can rack** • Available in White and Black



GE
Compact Models

GMR02AAM

- 1.8 cu. ft. capacity
- One cabinet shelf
- One and one-half door shelves
- Available in White and Black



Bottom-Freezer Models: 22 to 18 cu. ft.

These models include • Adjustable humidity vegetable/fruit crispers • Snack pan • Modular gallon door bins • Deluxe quiet design
• Equipped for optional automatic icemaker **Note: bold = feature upgrade from previous model**



Modular Fresh Food Gallon Door Storage provides maximum storage flexibility.



Spill-Proof Shelves help contain spills for ease of cleaning.



ShelfSaver™ rack provides a new space for odd shapes and sizes.



Brita filtered water door module holds up to one liter of water (Profile™ models only).



GE Profile™

Bottom-Freezer Drawer Models

PDS18SBM Stainless steel

- 18.1 cu. ft. capacity • Brita® water door module • ShelfSaver™ rack • Four adjustable split, spill-proof glass shelves (two slide-out)
- One full-width, two split sliding freezer baskets

PDS18LBM (not shown)

- 18.1 cu. ft. capacity • **Brita water door module** • ShelfSaver™ rack • Four adjustable split, spill-proof glass shelves (two slide-out)
- One full-width, two split sliding freezer baskets



GE

Bottom-Freezer Door Models

GBS22LBM

- 21.7 cu. ft. capacity • **ShelfSaver™ rack**
- **Four adjustable split, spill-proof glass shelves (three slide-out)** • Full-width sliding freezer basket • One full-width freezer shelf

GBS18KBM (not shown)

- 18.1 cu. ft. capacity • Four adjustable split, spill-proof glass shelves • Full-width sliding freezer basket • Two split freezer shelves

Chest Freezers

These models include

- Adjustable temperature control
- Upfront defrost drain
- Limited food loss warranty

Note: bold = feature upgrade from previous model



Lift-Out and Sliding Wire Baskets simplify loading and unloading.



Interior Light brightens for easy access.



GE Chest Freezer Models

FCM20DM

- 19.7 cu. ft. capacity
- 3 lift-out and sliding bulk storage baskets
- Interior light
- Built-in lock

FCM25DM (not shown)

- 24.9 cu. ft. capacity
- 4 lift-out and sliding bulk storage baskets
- Interior light
- Built-in lock

FCM15DM (not shown)

- 14.8 cu. ft. capacity
- 2 lift-out and sliding bulk storage baskets
- Interior light
- Built-in lock



GE Chest Freezer Model

FCM15SM

- 14.8 cu. ft. capacity
- 1 lift-out and sliding bulk storage basket

FCM9SM (not shown)

- 8.8 cu. ft. capacity
- 1 lift-out and sliding bulk storage basket



GE Chest Freezer Models

FCM9DM

- 8.8 cu. ft. capacity
- 2 lift-out and sliding bulk storage baskets
- Interior light
- Built-in lock

FCM7DM (not shown)

- 7.2 cu. ft. capacity
- Power "ON" light
- 2 lift-out and sliding bulk storage basket
- Built-in lock

FCM5DM (not shown)

- 5.0 cu. ft. capacity
- Power "ON" light
- 2 lift-out and sliding bulk storage baskets
- **Fast freeze**



GE Chest Freezer Model

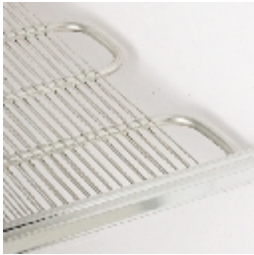
FCM5SM

- 5.0 cu. ft. capacity
- 1 lift-out and sliding bulk storage basket

Upright Freezers

These models include • Cabinet shelves • Adjustable temperature control • Built-in lock • Interior light

• Limited food loss warranty **Note: bold = feature upgrade from previous model**



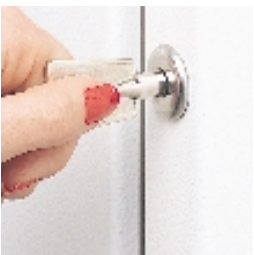
Refrigerated Cabinet Shelves keep items extra cool.



Temperature Monitor with Audible Alarm ensures temperature control.



Slide-Out Bulk Storage Basket for maximum freezer capacity.



Safety Lock provides security.



GE Deluxe Upright Frost-Free Models

FUF20DM

• **20.3 cu. ft. capacity** • 2 Slide-out bulk storage baskets • **5 cabinet shelves, 3 adjustable** • **6 door shelves**

FUF17DM (not shown)

• **16.7 cu. ft. capacity** • **4 cabinet shelves, 3 adjustable** • 5 door shelves

FUF14DM (not shown)

• **13.7 cu. ft. capacity** • **3 cabinet shelves, 2 adjustable**

FUF20PM (not shown)

• **20.3 cu. ft. capacity** • Power "ON" light • **4 cabinet shelves, 3 adjustable** • 2 slide-out bulk storage baskets • 2 tip-out door storage shelves • Audible temperature alarm

FUF17PM (not shown)

• **16.7 cu. ft. capacity** • Power "ON" light • **4 cabinet shelves, 3 adjustable** • **2 slide-out bulk storage baskets** • 2 tip-out door storage shelves • Audible temperature alarm

FUF14PM (not shown)

• **13.7 cu. ft. capacity** • Power "ON" light • 3 cabinet shelves, 2 adjustable • 1 slide-out bulk storage basket • 2 tip-out door storage shelves • Audible temperature alarm

GE Deluxe Upright Manual Defrost Models

FUM17DM

• **17.1 cu. ft. capacity** • Slide-out bulk storage basket • **4 cabinet shelves, 1 adjustable** • 5 door shelves • Defrost drain

FUM21DM (not shown)

• **20.6 cu. ft. capacity** • **5 cabinet shelves, 1 adjustable** • **6 door shelves** • Defrost drain

FUM14DM (not shown)

• **14.1 cu. ft. capacity** • 4 cabinet shelves, 1 adjustable • 4 door shelves • Defrost drain



GE
Standard Upright Manual Defrost Models

FUM12SM

- 11.6 cu. ft. capacity • 3 cabinet shelves
- 4 door shelves • Defrost drain

FUM14SM (not shown)

- 14.1 cu. ft. capacity • 3 cabinet shelves
- 5 door shelves • Defrost drain

FUM17SM (not shown)

- 17.1 cu. ft. capacity • 3 cabinet shelves
- 5 door shelves • Defrost drain

FUM21SM (not shown)

- 20.6 cu. ft. capacity • 4 cabinet shelves
- 6 door shelves • Defrost drain



GE
Standard Upright Manual Defrost Models

FUM9SM

- 8.7 cu. ft. capacity • 3 cabinet shelves
- 4 door shelves

FUM5SM (not shown)

- 5.0 cu. ft. capacity • 2 cabinet shelves
- 3 door shelves

Arctica™ Side-By-Side Refrigerators

| | GE Profile Arctica™ | | | | | | | | | |
|--|---------------------------------|---------------------------------|---------------------------------|---------------------------|---------------------------------|---------------------------------|---------------------------------|---------------------------|---------------------------------|---------------------------------|
| | PSS29NHM | PSS29NGM | PSS29MGM | PSS27SHM PSS27SGM | PSS27NHM | PSS27NGM | PSS27MGM | PSS25SGM | PSS25NGM | PSS25MGM |
| Stainless steel model | | | | ● | | | | ● | | |
| Capacity | | | | | | | | | | |
| Total (cu. ft.) | 28.7 | 28.6 | 28.7 | 26.8 / 26.6 | 26.8 | 26.6 | 26.7 | 25.3 | 25.3 | 25.4 |
| Fresh food (cu. ft.) | 17.92 | 17.85 | 17.85 | 16.77 / 16.60 | 16.77 | 16.60 | 16.60 | 15.90 | 15.90 | 15.90 |
| Freezer (cu. ft.) | 10.78 | 10.78 | 10.89 | 10.01 | 10.01 | 10.01 | 10.12 | 9.37 | 9.37 | 9.48 |
| Shelf area (sq. ft.) | 24.1 | 25.0 | 25.1 | 23.5 / 23.9 | 23.5 | 23.9 | 24.3 | 23.7 | 23.7 | 23.8 |
| Fresh Food Features | | | | | | | | | | |
| Refreshment Center | ● | | | ● / - | ● | | | | | |
| ClimateKeeper™ System | ● | ● | ● | ● | ● | ● | ● | ● | ● | ● |
| Air tower | ● | ● | ● | ● | ● | ● | ● | ● | ● | ● |
| Upfront electronic digital display | ● | ● | ● | ● | ● | ● | ● | ● | ● | ● |
| Upfront electronic touch temp. controls | ● | ● | ● | ● | ● | ● | ● | ● | ● | ● |
| Electronic sensors | ● | ● | ● | ● | ● | ● | ● | ● | ● | ● |
| SmartWater™ Filtration System | Plus | Plus | Plus | Plus | Plus | Plus | Plus | Plus | Plus | Plus |
| LightTouch! Dispenser | Crushed Ice, Cubes, Water | Crushed Ice, Cubes, Water | Crushed Ice, Cubes, Water | Crushed Ice, Cubes, Water | Crushed Ice, Cubes, Water | Crushed Ice, Cubes, Water | Crushed Ice, Cubes, Water | Crushed Ice, Cubes, Water | Crushed Ice, Cubes, Water | Crushed Ice, Cubes, Water |
| Light | ● | ● | ● | ● | ● | ● | ● | ● | ● | ● |
| Child lock | ● | ● | ● | ● | ● | ● | ● | ● | ● | ● |
| Door alarm | ● | ● | ● | ● | ● | ● | ● | ● | ● | ● |
| Quick Ice™ feature | ● | ● | ● | ● | ● | ● | ● | ● | ● | ● |
| Water filter indicator light | ● | ● | ● | ● | ● | ● | ● | ● | ● | ● |
| Cabinet shelves | 3 Glass | 3 Glass | 3 Glass | 3 Glass | 3 Glass | 3 Glass | 3 Glass | 3 Glass | 3 Glass | 3 Glass |
| Adjustable | 3 | 3 | 3 | 3 | 3 | 3 | 3 | 3 | 3 | 3 |
| Slide-out, spill-proof | 2 | 2 | 2 | 2 | 2 | 2 | 2 | 2 | 2 | 2 |
| QuickSpace™ shelf | ● | ● | ● | ● | ● | ● | ● | ● | ● | ● |
| Integrated shelf system | ● | ● | ● | ● | ● | ● | ● | ● | ● | ● |
| Snuggler™ clip(s) | 2 | 2 | 2 | 2 | 2 | 2 | 2 | 2 | 2 | 2 |
| Meat pan | Adj. Temp. | Adj. Temp. | Adj. Temp. | Adj. Temp. | Adj. Temp. | Adj. Temp. | Adj. Temp. | Adj. Temp. | Adj. Temp. | Adj. Temp. |
| Vegetable/fruit crisper | Adj. Humid. | Adj. Humid. | Adj. Humid. | Adj. Humid. | Adj. Humid. | Adj. Humid. | Adj. Humid. | Adj. Humid. | Adj. Humid. | Adj. Humid. |
| FreshSaver™ filter | ● | ● | ● | ● | ● | ● | ● | ● | ● | ● |
| Snack pan | | | Sealed | | | | Sealed | | | Sealed |
| CustomCool™ technology | ● | ● | | ● | ● | ● | | ● | ● | |
| ClearLook™ modular door bins | 3 (1 Adj.) | 4 (3 Adj.) | 4 (3 Adj.) | 3 (1 Adj.) 4 (2 Adj.) | 3 (1 Adj.) | 4 (2 Adj.) | 4 (2 Adj.) | 4 (2 Adj.) | 4 (2 Adj.) | 4 (2 Adj.) |
| Dairy compartment (removable) (butter dish) | ● | ● | ● | ● | ● | ● | ● | ● | ● | ● |
| Can storage rack | ● | ● | ● | ● / - | ● | ● | ● | ● | ● | ● |
| Beverage rack | ● | ● | ● | ● | ● | ● | ● | ● | ● | ● |
| Egg bin (clear) | ● | ● | ● | ● | ● | ● | ● | ● | ● | ● |
| Interior light system | Tri-level | Tri-level | Dual-level | Tri-level | Tri-level | Tri-level | Dual-level | Tri-level | Tri-level | Dual-level |
| Quiet Package—Quiet Design | Premium | Premium | Premium | Premium | Premium | Premium | Premium | Premium | Premium | Premium |
| Automatic moisture control | ● | ● | ● | ● | ● | ● | ● | ● | ● | ● |
| NeverClean™ condenser | ● | ● | ● | ● | ● | ● | ● | ● | ● | ● |
| Energy Star | | | | | | | | ● | ● | ● |
| Freezer Features | | | | | | | | | | |
| FrostGuard™ technology | ● | ● | ● | ● | ● | ● | ● | ● | ● | ● |
| Auto. factory-installed icemaker & bin | ● | ● | ● | ● | ● | ● | ● | ● | ● | ● |
| Slide-out baskets | 3 (2 full-ext.) | 3 (2 full-ext.) | 3 | 3 (2 full-ext.) | 3 (2 full-ext.) | 3 (2 full-ext.) | 3 | 3 (2 full-ext.) | 3 (2 full-ext.) | 3 |
| Wire cabinet shelves | 2 (1 slide-out) | 2 (1 slide-out) | 2 (1 slide-out) | 2 (1 slide-out) | 2 (1 slide-out) | 2 (1 slide-out) | 2 (1 slide-out) | 2 (1 slide-out) | 2 (1 slide-out) | 2 (1 slide-out) |
| Wire tilt-out door bin(s) | 3 (2 Adj.) | 3 (2 Adj.) | 3 (2 Adj.) | 3 (2 Adj.) | 3 (2 Adj.) | 3 (2 Adj.) | 3 (2 Adj.) | 3 (2 Adj.) | 3 (2 Adj.) | 3 (2 Adj.) |
| Fixed door bin(s) | 1 | 1 | 1 | 1 | 1 | 1 | 1 | 1 | 1 | 1 |
| Interior light | ● | ● | ● | ● | ● | ● | ● | ● | ● | ● |
| Exterior | | | | | | | | | | |
| Color(s) available* | WW, CC, BB | WW, CC, BB | WW, CC, BB | BS | WW, CC, BB | WW, CC, BB | WW, CC, BB | BS | WW, CC, AA, BB | WW, CC, BB |
| Door handle(s) | Color-Matched Contoured Profile | Color-Matched Contoured Profile | Color-Matched Contoured Profile | Black Contoured Profile | Color-Matched Contoured Profile | Color-Matched Contoured Profile | Color-Matched Contoured Profile | Black Contoured Profile | Color-Matched Contoured Profile | Color-Matched Contoured Profile |
| Exterior design | Contoured | Contoured | Contoured | Contoured | Contoured | Contoured | Contoured | Contoured | Contoured | Contoured |
| Textured steel door and case | ● | ● | ● | Case only | ● | ● | ● | Case only | ● | ● |
| Adjustable rollers | Front | Front | Front | Front | Front | Front | Front | Front | Front | Front |
| Weights & Dimensions | | | | | | | | | | |
| Height to top of hinge (in.) A | 69-1/4 | 69-1/4 | 69-1/4 | 69-1/4 | 69-1/4 | 69-1/4 | 69-1/4 | 69-1/4 | 69-1/4 | 69-1/4 |
| Height to top of case (in.) B | 68-3/4 | 68-3/4 | 68-3/4 | 68-3/4 | 68-3/4 | 68-3/4 | 68-3/4 | 68-3/4 | 68-3/4 | 68-3/4 |
| Case depth without door (in.)** C | 28 | 28 | 28 | 28 | 28 | 28 | 28 | 28 | 28 | 28 |
| Case depth less door handle (in.)** D | 33-9/16 | 33-9/16 | 33-9/16 | 32-1/4 | 32-1/4 | 32-1/4 | 32-1/4 | 32-1/4 | 32-1/4 | 32-1/4 |
| Case depth with door handle (in.)** E | 36 | 36 | 36 | 34-11/16 | 34-11/16 | 34-11/16 | 34-11/16 | 34-11/16 | 34-11/16 | 34-11/16 |
| Depth w/fresh food door open 90° (in.)** F | 49-11/16 | 49-11/16 | 49-11/16 | 50-1/16 | 50-1/16 | 50-1/16 | 50-1/16 | 50-1/16 | 50-1/16 | 50-1/16 |
| Width (in.) G | 35-3/4 | 35-3/4 | 35-3/4 | 35-3/4 | 35-3/4 | 35-3/4 | 35-3/4 | 35-3/4 | 35-3/4 | 35-3/4 |
| Width w/door open 90° less door handle (in.) H | 37-3/8 | 37-3/8 | 37-3/8 | 36 | 36 | 36 | 36 | 36 | 36 | 36 |
| Air clearances Each side (in.) | 1/8 | 1/8 | 1/8 | 1/8 | 1/8 | 1/8 | 1/8 | 1/8 | 1/8 | 1/8 |
| Top (in.) | 1 | 1 | 1 | 1 | 1 | 1 | 1 | 1 | 1 | 1 |
| Back (in.) | 1 | 1 | 1 | 1 | 1 | 1 | 1 | 1 | 1 | 1 |
| Approx. shipping weight (lbs.) | 320 | 320 | 320 | 346 | 346 | 346 | 346 | 347 | 347 | 347 |

*Color(s) available: BS = Black case with stainless steel doors, WW = White on white, CC = Bisque, AA = Almond, BB = Black on black.

**Add 9/16" for water hook-up. Hook-up fits in 5/8" back air clearance when calculating installation depth.

If installed against a wall, allow clearance of 14-3/16" on 25 cu. ft. and 27 cu. ft. models; 13" on 29 cu. ft. models on freezer side to remove ice bin.

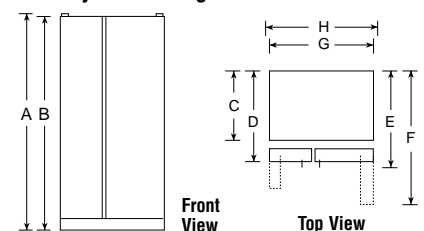
To remove fresh food pans, remove door bins.

Clearances required to remove fresh food full-size pan without disassembling: 18-15/16" on 25 cu. ft. and 27 cu. ft.; 16-1/4" on 29 cu. ft.

Allow additional space for any necessary leveling adjustments.

ALL MODELS AVAILABLE IN U.S. AND CANADA.

Side-By-Side Refrigerators



CustomStyle™ Side-By-Side Refrigerators

| | GE Profile™ | | | | | | | | | |
|---|---------------------------|---------------------------|---------------------------|---------------------------|---------------------------|---------------------------|---------------------------|-----------------|-----------------|--|
| | PSC23SHM PSC23SGM | PSI23SGM | PSC23NHM | PSC23NGM | PSI23NGM | PSC23MGM | PSI23MGM | PSI23SCL | PSI23MCL | |
| Stainless steel model | ● | ● | | | | | | ● | | |
| Capacity | | | | | | | | | | |
| Total (cu. ft.) | 22.7 / 22.6 | 22.6 | 22.7 | 22.6 | 22.6 | 22.7 | 22.7 | 22.7 | 22.7 | |
| Fresh food (cu. ft.) | 14.41 / 14.38 | 14.38 | 14.41 | 14.38 | 14.38 | 14.38 | 14.38 | 14.38 | 14.38 | |
| Freezer (cu. ft.) | 8.24 | 8.24 | 8.24 | 8.24 | 8.24 | 8.32 | 8.32 | 8.28 | 8.28 | |
| Shelf area (sq. ft.) | 19.1 / 19.7 | 19.7 | 19.1 | 19.7 | 19.7 | 19.9 | 19.9 | 20.1 | 20.1 | |
| Fresh Food Features | | | | | | | | | | |
| Refreshment Center | ● / - | | ● | | | | | | | |
| ClimateKeeper™ System | ● | ● | ● | ● | ● | ● | ● | ● | ● | |
| Air tower | ● | ● | ● | ● | ● | ● | ● | ● | ● | |
| Upfront electronic digital display | ● | ● | ● | ● | ● | ● | ● | ● | ● | |
| Upfront electronic touch temperature controls | ● | ● | ● | ● | ● | ● | ● | ● | ● | |
| Electronic sensors | ● | ● | ● | ● | ● | ● | ● | ● | ● | |
| SmartWater™ Filtration System | Plus | Plus | Plus | Plus | Plus | Plus | Plus | | | |
| LightTouch! Dispenser | Crushed Ice, Cubes, Water | Crushed Ice, Cubes, Water | Crushed Ice, Cubes, Water | Crushed Ice, Cubes, Water | Crushed Ice, Cubes, Water | Crushed Ice, Cubes, Water | Crushed Ice, Cubes, Water | | | |
| Light | ● | ● | ● | ● | ● | ● | ● | | | |
| Child lock | ● | ● | ● | ● | ● | ● | ● | | | |
| Door alarm | ● | ● | ● | ● | ● | ● | ● | | | |
| Quick Ice™ feature | ● | ● | ● | ● | ● | ● | ● | | | |
| Water filter indicator light | ● | ● | ● | ● | ● | ● | ● | | | |
| Cabinet shelves | 3 Glass | 3 Glass | 3 Glass | 3 Glass | 3 Glass | 3 Glass | 3 Glass | 3 Glass | 3 Glass | |
| Adjustable | 3 | 3 | 3 | 3 | 3 | 3 | 3 | 3 | 3 | |
| Slide-out, spill-proof | 2 | 2 | 2 | 2 | 2 | 2 | 2 | 2 | 2 | |
| QuickSpace™ shelf | ● | ● | ● | ● | ● | ● | ● | ● | ● | |
| Integrated shelf system | ● | ● | ● | ● | ● | ● | ● | ● | ● | |
| Snugger™ clip(s) | 2 | 2 | 2 | 2 | 2 | 2 | 2 | 2 | 2 | |
| Meat pan | Adj. Temp. | Adj. Temp. | Adj. Temp. | Adj. Temp. | Adj. Temp. | Adj. Temp. | Adj. Temp. | Adj. Temp. | Adj. Temp. | |
| Vegetable/fruit crisper | Adj. Humid. | Adj. Humid. | Adj. Humid. | Adj. Humid. | Adj. Humid. | Adj. Humid. | Adj. Humid. | Adj. Humid. | Adj. Humid. | |
| FreshSaver™ filter | ● | ● | ● | ● | ● | ● | ● | ● | ● | |
| Snack pan | | | | | | Sealed | Sealed | Sealed | Sealed | |
| CustomCool™ technology | ● | ● | ● | ● | ● | | | | | |
| ClearLook™ modular door bins | 3 (1 Adj.) 4 (2 Adj.) | 4 (2 Adj.) | 3 (1 Adj.) | 4 (2 Adj.) | 4 (2 Adj.) | 4 (2 Adj.) | 4 (2 Adj.) | 4 (2 Adj.) | 4 (2 Adj.) | |
| Dairy compartment (removable) (butter dish) | Clear | Clear | Clear | Clear | Clear | Clear | Clear | Clear | Clear | |
| Can storage rack | ● / - | | ● | | | | | | | |
| Beverage rack | ● | ● | ● | ● | ● | ● | ● | ● | ● | |
| Egg bin (clear) | ● | ● | ● | ● | ● | ● | ● | ● | ● | |
| Interior light system | Tri-level | Tri-level | Tri-level | Tri-level | Tri-level | Dual-level | Dual-level | Dual-level | Dual-level | |
| Quiet Package—Quiet Design | Premium | Premium | Premium | Premium | Premium | Premium | Premium | Premium | Premium | |
| Automatic moisture control | ● | ● | ● | ● | ● | ● | ● | ● | ● | |
| NeverClean™ condenser | ● | ● | ● | ● | ● | ● | ● | ● | ● | |
| Freezer Features | | | | | | | | | | |
| FrostGuard™ technology | ● | ● | ● | ● | ● | ● | ● | ● | ● | |
| Factory-installed electronic icemaker & bin | ● | ● | ● | ● | ● | ● | ● | ● | ● | |
| Wire Slide-out baskets | 3 (2 full-ext.) | 3 (2 full-ext.) | 3 (2 full-ext.) | 3 (2 full-ext.) | 3 (2 full-ext.) | 3 | 3 | 3 | 3 | |
| Wire cabinet shelves | 2 (1 slide-out) | 2 (1 slide-out) | 2 (1 slide-out) | 2 (1 slide-out) | 2 (1 slide-out) | 2 (1 slide-out) | 2 (1 slide-out) | 2 (1 slide-out) | 2 (1 slide-out) | |
| Wire tilt-out door bin(s) | 3 (2 Adj.) | 3 (2 Adj.) | 3 (2 Adj.) | 3 (2 Adj.) | 3 (2 Adj.) | 3 (2 Adj.) | 3 (2 Adj.) | 4 (3 Adj.) | 4 (3 Adj.) | |
| Fixed door bins | 1 | 1 | 1 | 1 | 1 | 1 | 1 | 1 | 1 | |
| Interior light | ● | ● | ● | ● | ● | ● | ● | ● | ● | |
| Exterior | | | | | | | | | | |
| Color(s) available* | BS | BS | WW, CC, BB | WW, CC, BB | WW, CC, BB | WW, CC, BB | WW, CC, BB | BS | WW, CC, BB | |
| CustomStyle™ configuration | Trimless | Trimless | Trimless | Trimless | Installed Trim | Trimless | Installed Trim | Trimless | Installed Trim | |
| Door handles | Black Profile | SS Appearance | CM Profile | CM Profile | CM Full-Length | CM Profile | CM Full-Length | SS Appearance | CM Full-Length | |
| Exterior design | Rounded Doors | Squared Doors | Rounded Doors | Rounded Doors | Squared Doors | Squared Doors | Rounded Doors | Squared Doors | Squared Doors | |
| Textured steel door and case | Case only | Case only | ● | ● | ● | ● | ● | Case only | ● | |
| Adjustable rollers | All | All | All | All | All | All | All | All | All | |
| Weights & Dimensions | | | | | | | | | | |
| Height to top of hinge (in.) A | 69-1/4 | 69-1/4 | 69-1/4 | 69-1/4 | 69-1/4 | 69-1/4 | 69-1/4 | 69-1/4 | 69 1/4 | |
| Height to top of case (in.) B | 68-3/4 | 68-3/4 | 68-3/4 | 68-3/4 | 68-3/4 | 68-3/4 | 68-3/4 | 68-3/4 | 68 3/4 | |
| Case depth without door (in.) C | 23-7/8 | 23-7/8 | 23-7/8 | 23-7/8 | 23-7/8 | 23-7/8 | 23-7/8 | 23-7/8 | 23-7/8 | |
| Case depth less door handle (in.) D | 26-3/4 | 26-3/4 | 26-3/4 | 26-3/4 | 26-3/4 | 26-3/4 | 26-3/4 | 26-3/4 | 26 3/4 | |
| Case depth with door handle (in.) E | 29-3/16 | 28-5/16 | 29-3/16 | 29-3/16 | 28-5/16 | 28-5/16 | 29-3/16 | 28-5/16 | 28-5/16 | |
| Depth w/fresh food door open 90° (in.) F | 45-9/16 | 45-9/16 | 45-9/16 | 45-9/16 | 45-9/16 | 45-9/16 | 45-9/16 | 45-9/16 | 45-9/16 | |
| Width (in.) G | 35-3/4 | 35-3/4 | 35-3/4 | 35-3/4 | 35-3/4 | 35-3/4 | 35-3/4 | 35-3/4 | 35 3/4 | |
| Width w/door open 90° w/door handle (in.) H | 38-3/16 | 37-5/16 | 38-3/16 | 38-3/16 | 37-5/16 | 37-5/16 | 38-3/16 | 37-5/16 | 37-5/16 | |
| Air clearances Each side (in.) | 1/8 | 1/8 | 1/8 | 1/8 | 1/8 | 1/8 | 1/8 | 1/8 | 1/8 | |
| Top (in.) | 1 | 1 | 1 | 1 | 1 | 1 | 1 | 1 | 1 | |
| Back (in.) | 1/2 | 1/2 | 1/2 | 1/2 | 1/2 | 1/2 | 1/2 | 1/2 | 1/2 | |
| Approx. shipping weight (lbs.) | 334 | 334 | 334 | 334 | 334 | 334 | 334 | 334 | 334 | |
| Accessories | | | | | | | | | | |
| Factory trim kit attached | N/A | N/A | N/A | N/A | ● | N/A | ● | N/A | ● | |
| Black acrylic panels (optional) | N/A | N/A | N/A | N/A | PPK23DBB | N/A | PPK23DBB | N/A | PPK23CBB | |
| White acrylic panels (optional) | N/A | N/A | N/A | N/A | PPK23DWW | N/A | PPK23DWW | N/A | PPK23CWW | |
| Bisque acrylic panels (optional) | N/A | N/A | N/A | N/A | PPK23DCC | N/A | PPK23DCC | N/A | PPK23CCC | |
| Stainless steel panels (optional) | N/A | N/A | N/A | N/A | PPK23DSS | N/A | PPK23DSS | N/A | N/A | |
| Black collar trim (optional) | N/A | TRMBISBB | N/A | N/A | TRMBISBB | TRMBISBB | N/A | TRMBISBB | TRMBISBB | |
| White collar trim (optional) | N/A | TRMBISWW | N/A | N/A | TRMBISWW | TRMBISWW | N/A | TRMBISWW | TRMBISWW | |
| Bisque collar trim (optional) | N/A | TRMBISCC | N/A | N/A | TRMBISCC | TRMBISCC | N/A | TRMBISCC | TRMBISCC | |
| Stainless steel collar trim (optional) | N/A | TRMBISS | N/A | N/A | TRMBISS | TRMBISS | N/A | TRMBISS | TRMBISS | |

*Color(s) available: BS = Black case with stainless steel doors, WW = White on white, CC = Bisque, AA = Almond on almond, BB = Black on black, CM = Color-Matched.

If installed against a wall, allow clearance of 13-15/16" on freezer side to remove bin.

Clearance required to remove fresh food full size pan without disassembling is 18-5/8".

ALL MODELS AVAILABLE IN U.S. AND CANADA.



Total volume and shelf area are calculated by the Association of Home Appliance Manufacturers' standards.



Listed by Underwriters Laboratories

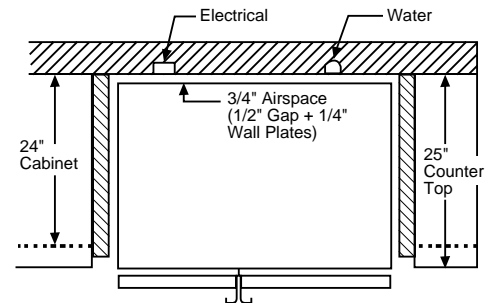
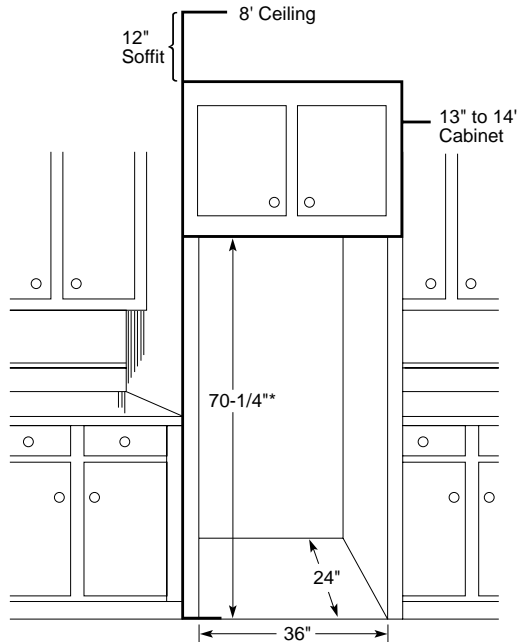
GE Profile CustomStyle™ Side-By-Side Installation Information and Specifications

Rough-In Dimensions

Standard, New Construction and Replacement Installation

Installation Tips to Maximize the Built-In Look

- All wall/floor molding should be removed prior to installation.
- Water recess on rear wall recommended to prevent water line damage. 48" minimum length 1/4" diameter water line tubing recommended.
- When possible, recess both copper water line and electrical outlet. (See local codes)
- Front and rear leveling legs are adjustable for the built-in look. (See owner's manual)
- If optional collar trim kit is to be used or anticipated, see collar trim installation on next page for different rough-in dimensions.



*The rough-in dimension of 70-1/4" is minimum and is measured from the finished floor to top of opening (or the underside of the overhead cabinets). For Models with Trim Kit: If frameless style cabinets are planned for above the refrigerator, you may need to consider adding a maximum of 1/4" (70-1/2") to height of opening to allow additional clearance between cabinet doors and top of refrigerator trim when cabinet doors are in open position.

Door Panel Dimensions

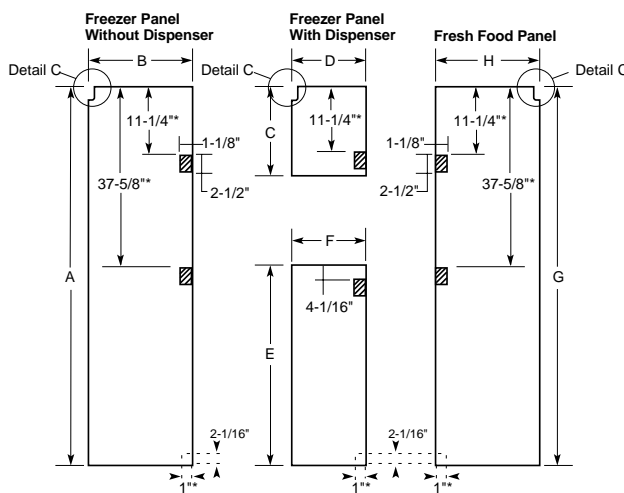
Order your own custom wood panels to match cabinetry or other decor.

| Fresh Food Panels | Freezer Panel With Dispenser | Freezer Panel Without Dispenser | Weight Limits* |
|---------------------------|--|---------------------------------|---|
| G-67-9/32" H-19-15/32" | C-17-7/8" E-33-5/8" D-14-15/32" F-14-15/32" | A-67-9/32" B-14-15/32" | Fresh Food = 38 lbs. Freezer = 28 lbs. |

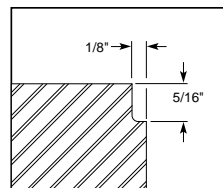
Panels up to 1/4" thick will fit door frame with no special preparation. Add filler behind material thinner than 1/4" for proper fit.

*Total weight of panels (i.e., both freezer panels)

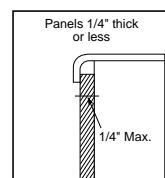
Note: Panels up to 3/4" will require special routing area around handles. Dimensions may vary depending on depth of panel.



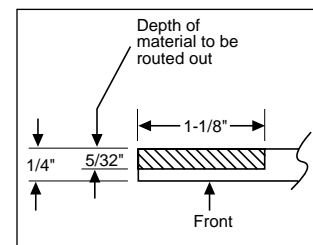
Detail C



(Fresh Food panel shown)
Notch required at top corner as noted.



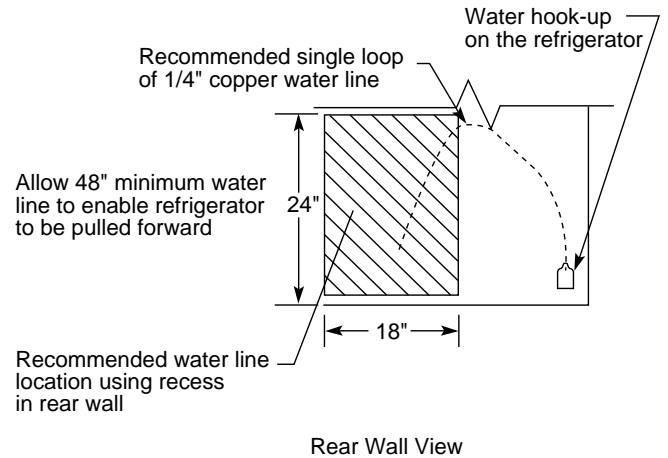
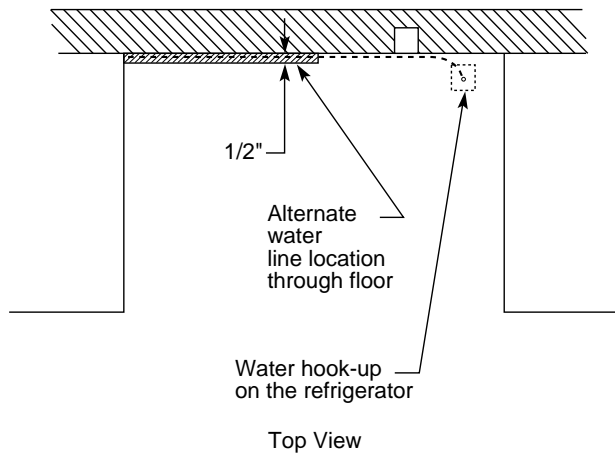
All other dotted lines indicate areas that must be routed out about 5/32" (4 mm) on the back side of panels 1/4" (6 mm) thick or more. For panels less than 1/4" (6 mm) thick, these areas can be cut out of the filler panel.



IMPORTANT: Before finalizing specifications for your GE Profile CustomStyle Refrigerator, please NOTE:

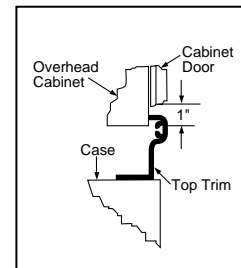
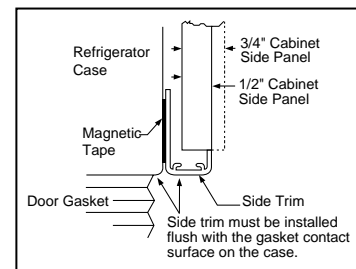
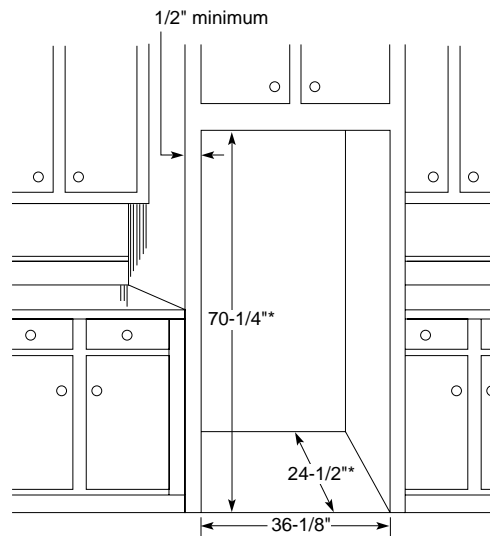
- A minimum of 36" is required for refrigerator installation
- Be sure to allow for 1/2" or 3/4" side panels in addition to the 36" minimum

Installation of Water and Electrical Outlets

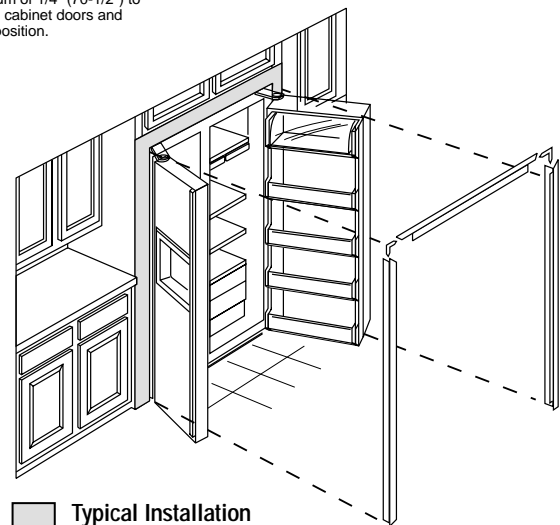
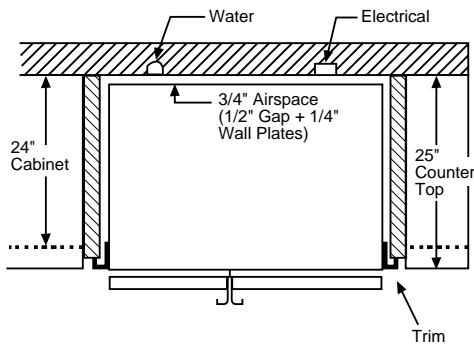


Collar Trim Installation

An enclosure is **required** to match up to the trim, see Typical Installation. To obtain the most integrated look, the cabinet or soffit above the refrigerator should extend out to the same depth as the side panels. The refrigerator opening must have minimum dimensions of 70-1/4" high x 36-1/8" wide x 24-1/2" deep as shown at right. If there is an overhead cabinet, allow 1" for cabinet door clearance with the top trim piece so the cabinet doors can be opened without hitting the top trim. If 1/2" side panels are used, then side trim and panel will be even. If 3/4" side panels are used, then some of the side panel will extend beyond the trim and must be finished.



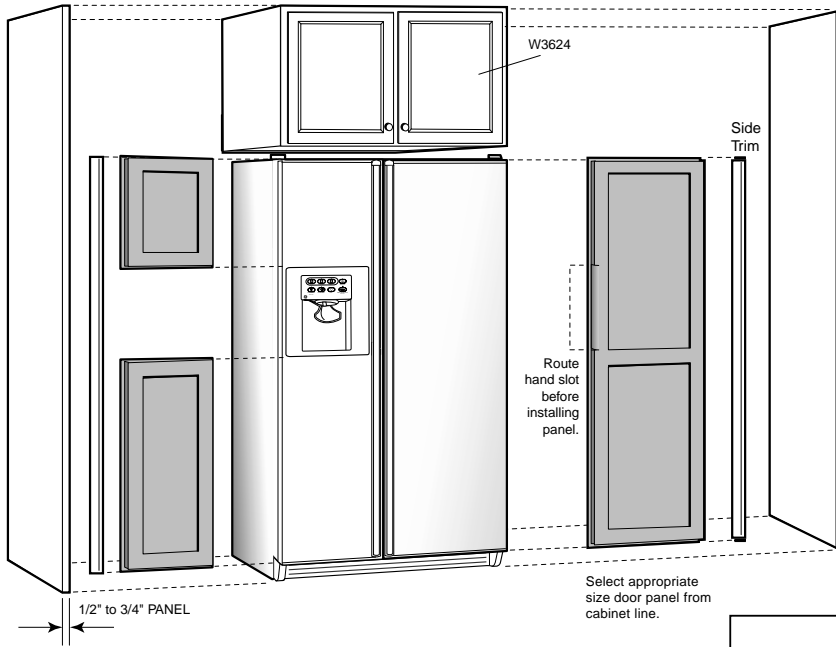
*The rough-in dimension of 70-1/4" is minimum and is measured from the finished floor to top of opening (or the underside of the overhead cabinets). For Models with Trim Kit: If frameless style cabinets are planned for above the refrigerator, you may need to consider adding a maximum of 1/4" (70-1/2") to height of opening to allow additional clearance between cabinet doors and top of refrigerator trim when cabinet doors are in open position.



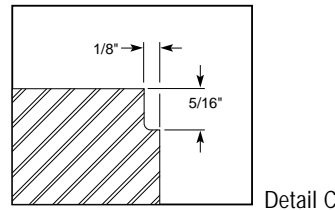
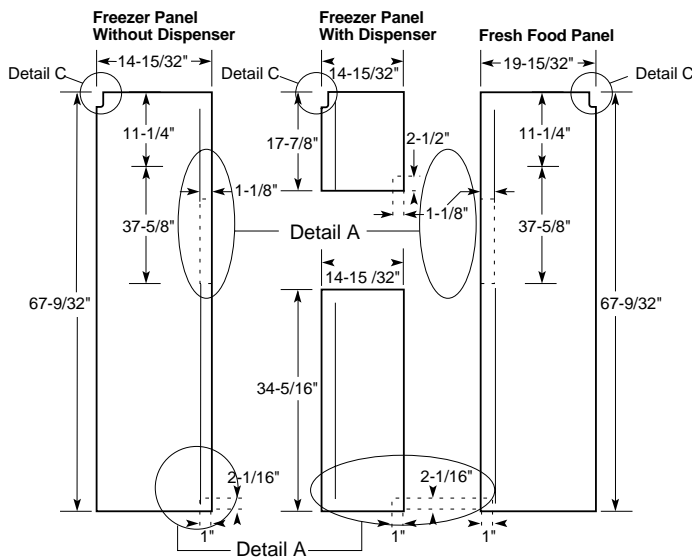
IMPORTANT: Before finalizing specifications for your GE Profile CustomStyle Refrigerator, please NOTE:

- A minimum of 36-1/8" is required for refrigerator installation with collar
- Be sure to allow for 1/2" or 3/4" side panels in addition to the 36-1/8" minimum

Create a Custom Look for Your GE Profile CustomStyle™ Side-By-Side Refrigerator



Still another advantage offered by GE Profile CustomStyle™ Refrigerators is ease of installation. For a refrigerator that does so much to enhance the beauty of your kitchen, the “behind-the-scenes” preparation and installation are surprisingly simple.

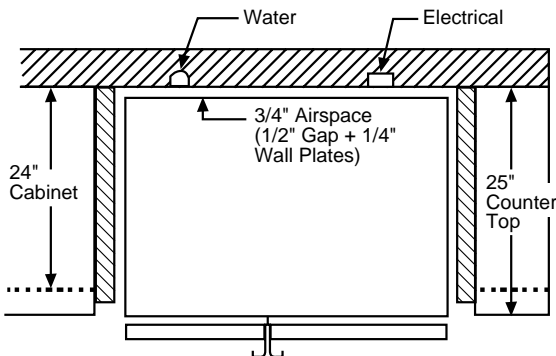


Fabricating the Enclosure

- The drawing shows an 84" cabinet elevation. Adjust dimensions accordingly for other cabinet elevations.
- Cabinet pieces to order: (2) side panels and (1) wall cabinet.
- Side panels will typically be attached to adjacent cabinets and/or cleated to rear wall and floor.
- Refer to GE refrigerator installation instructions for proper plumbing, and electrical and air clearances.
- (1) Some framed cabinet lines will make a refrigerator enclosure with a cabinet 12" high x 39" wide with sides and 1-1/2" face frame extended down to floor to create the refrigerator space. This will replace the above construction.
- (2) A tall cabinet on either side of the refrigerator can replace a side panel!
- Counter overhangs on either side of the refrigerator should have clipped corners to allow for full door swing.
- If the refrigerator has a wall returning beyond the front of the refrigerator on either side, a 2" tall filler will help to allow for movement of the door.

Door Panels

- See drawings for exact dimensions of the fresh-food and freezer door panels.
- Refrigerator door fronts from stock and most semi-custom cabinet manufacturers will be supplied as 1/4"-thick panels cut to dimensions, with closest available standard door sizes applied to front.
 - This will leave a “reveal” at top/bottom and sides.
 - Width of “reveal” will depend on manufacturer’s standard door sizes.
 - Door will be affixed on the 1/4" panels at factory or in the field by the local supplier, depending on manufacturer.
- Local shop-built or custom cabinet supplier may fabricate custom 3/4" panels. In this case, edges must be routed.
- Follow notes on drawing to assure room for fingers/hands to open handles.
- Detail A: Dotted line indicates areas that must be routed out about 3/16" (5mm) on the back of side panels 1/4" (6mm) thick or more.



Side-By-Side Refrigerators

| | GE "L" Series | GE "S" Series | | GE "K" Series | | GE "J" Series | |
|--|------------------------------|------------------------------|------------------------------|------------------------------|------------------------------|------------------------------|------------------------------|
| | GSS25LGM | GSH25SGM GSH22SGM | GSS25SGM GSS22SGM | GSH25KGM GSH22KGM | GSS25KGM GSS22KGM | GSS25JEM GSS22JEM | GSS22JFM GSS25JFM |
| Stainless steel model | | ● | ● | | | | |
| Capacity | | | | | | | |
| Total (cu. ft.) | 25.4 | 24.9 / 21.8 | 24.9 / 21.8 | 24.9 / 21.8 | 24.9 / 21.8 | 24.9/21.8 | 24.9/21.8 |
| Fresh food (cu. ft.) | 15.90 | 15.33 / 14.70 | 15.33 / 14.70 | 15.33 / 14.70 | 15.33 / 14.70 | 15.33/14.70 | 15.33/14.70 |
| Freezer (cu. ft.) | 9.48 | 9.53 / 7.11 | 9.53 / 7.11 | 9.53 / 7.11 | 9.53 / 7.11 | 9.53/7.11 | 9.53/7.11 |
| Shelf area (sq. ft.) | 23.7 | 24.1 / 22.1 | 24.1 / 22.1 | 24.1 / 22.1 | 24.1 / 22.1 | 22.4/20.4 | 22.4/20.4 |
| Fresh Food Features | | | | | | | |
| SmartWater™ Filtration System | Plus | Plus | Plus | Plus | Plus | | ● |
| LightTouch! Dispenser features | Crushed Ice, Cubes, Water | Crushed Ice, Cubes, Water | Crushed Ice, Cubes, Water | Crushed Ice, Cubes, Water | Crushed Ice, Cubes, Water | Crushed Ice, Cubes, Water | Crushed Ice, Cubes, Water |
| Light | ● | ● | ● | ● | ● | ● | ● |
| Child lock | ● | ● | ● | ● | ● | | |
| Door Alarm | ● | | | | | | |
| Water filter indicator light | ● | ● | ● | ● | ● | | |
| Upfront electronic touch temperature controls | ● | | | | | | |
| Upfront electronic temperature controls | | ● | ● | ● | ● | ● | ● |
| Cabinet shelves | 3 Glass | 3 Glass | 3 Glass | 3 Glass | 3 Glass | 3 Glass | 3 Glass |
| Adjustable | 3 | 3 | 3 | 3 | 3 | 3 | 3 |
| Slide-out | 2 | 2 | 2 | 2 | 2 | | |
| Spill-proof | 2 | 2 | 2 | 2 | 2 | ● | ● |
| QuickSpace™ shelf | | ● | ● | ● | ● | | |
| Integrated shelf system | ● | | | | | | |
| Snugger™ clip(s) | 1 | 2 | 2 | 2 | 2 | | |
| Meat pan | 1 Sealed | 1 Adj. Temp. | 1 Adj. Temp. | 1 Adj. Temp. | 1 Adj. Temp. | 1 Adj. Temp. | 1 Adj. Temp. |
| Vegetable/fruit crisper | 1 Adj. Humid. | 1 Adj. Humid. | 1 Adj. Humid. | 1 Adj. Humid. | 1 Adj. Humid. | 1 Sealed | 1 Sealed |
| Snack pan | ● | ● | ● | ● | ● | | |
| Modular door bins | 4 (3 Adj. w/ gallon storage) | 4 (2 Adj. w/ gallon storage) | 4 (2 Adj. w/ gallon storage) | 4 (2 Adj. w/ gallon storage) | 4 (2 Adj. w/ gallon storage) | 4 (2 Adj. w/ gallon storage) | 4 (2 Adj. w/ gallon storage) |
| Dairy compartment with butter dish | ● | ● | ● | ● | ● | ● | ● |
| Utility bin (clear) | ● | ● | ● | ● | ● | ● | ● |
| Interior light system | Dual-level | Dual-level | Dual-level | Dual-level | Dual-level | Dual-level | Dual-level |
| Quiet Package—Quiet Design | Deluxe | Deluxe | Deluxe | Deluxe | Deluxe | Deluxe | Deluxe |
| Automatic moisture control | ● | ● | ● | ● | ● | ● | ● |
| NeverClean™ condenser | ● | ● | ● | ● | ● | ● | ● |
| Energy Star | ● | ● | ● | ● | ● | | |
| Freezer Features | | | | | | | |
| FrostGuard™ technology | ● | ● | ● | ● | ● | ● | ● |
| Factory-installed electronic icemaker & bin | ● | ● | ● | ● | ● | ● | ● |
| Wire cabinet shelves | 2 (1 slide-out) | 4 (3 Adj.) | 4 (3 Adj.) | 4 (3 Adj.) | 4 (3 Adj.) | 4 (3 Adj.) | 4 (3 Adj.) |
| Storage bin(s) | 3 wire (slide-out) | 1 wire (slide-out) | 1 wire (slide-out) | 1 wire (slide-out) | 1 wire (slide-out) | 1 | 1 |
| Wire tilt-out door bin(s) | 1 | | | | | | |
| Door shelves | 3 (2 Adj.) | 5 | 5 | 5 | 5 | 5 | 5 |
| Interior light | ● | ● | ● | ● | ● | ● | ● |
| Appearance | | | | | | | |
| Color(s) available* | WW, CC, BB | BS | BS | WW, CC, AA, BB | WW, CC, AA, BB | WW, CC | WW, CC |
| Deluxe door handle(s) | CM | Black Premium | Black Premium | CM | CM | CM | CM |
| Textured steel door and case | ● | Case only | Case only | ● | ● | ● | ● |
| Adjustable rollers | Front | Front | Front | Front | Front | Front | Front |
| Weights & Dimensions | | | | | | | |
| Height to top of hinge (in.) A | 69-1/4 | 69-3/4 / 67-1/2 | 69-3/4 / 67-1/2 | 69-3/4 / 67-1/2 | 69-3/4 / 67-1/2 | 69-3/4 / 67-1/2 | 69-3/4 / 67-1/2 |
| Height to top of case (in.) B | 68-3/4/68-3/4 | 68-3/4 / 66-1/2 | 68-3/4 | 68-3/4 / 66-1/2 | 68-3/4 / 66-1/2 | 68-3/4 / 66-1/2 | 68-3/4 / 66-1/2 |
| Case depth without door (in.) C | 28 | 28 | 28 | 28 | 28 | 28 | 28 |
| Case depth less door handle (in.) D | 31-1/4 | 30-3/4 | 30-3/4 | 30-3/4 | 30-3/4 | 30-3/4 | 30-3/4 |
| Case depth with door handle (in.) E | 33-9/16 | 30-3/4 | 30-3/4 | 33 | 33 | 33 | 33 |
| Depth with fresh food door open 90° (in.) F | 50-1/16 | 48-13/16 | 48-13/16 | 48-13/16 | 48-13/16 | 48-13/16 | 48-13/16 |
| Width (in.) G | 35-3/4 | 35-3/4 / 33-1/2 | 35-3/4 / 33-1/2 | 35-3/4 / 33-1/2 | 35-3/4 / 33-1/2 | 35-3/4 / 33-1/2 | 35-3/4 / 33-1/2 |
| Width w/door open 90° less door handle (in.) H | 36 | 35-3/4 / 33-1/2 | 35-3/4 / 33-1/2 | 35-3/4 / 33-1/2 | 35-3/4 / 33-1/2 | 35-3/4 / 33-1/2 | 35-3/4 / 33-1/2 |
| Air clearances Each side (in.) | 1/8 | 1/8 | 1/8 | 1/8 | 1/8 | 1/8 | 1/8 |
| Top (in.) | 1 | 1 | 1 | 1 | 1 | 1 | 1 |
| Back (in.) | 1 | 1 | 1 | 1 | 1 | 1 | 1 |
| Approx. shipping weight (lbs.) | 338 | 338 / 334 | 338 / 334 | 338 / 315 | 338 / 315 | 338/315 | 338/315 |

*Color(s) available: BS = Black case with stainless steel doors, WW = White on white, CC = Bisque, AA = Almond on almond, BB = Black on black, BK = Black, CM = Color-Matched.

Add 9/16" for water hook-up. Hook-up fits in 5/8" back air clearance when calculating installation depth.

If installed against a wall, allow clearance of 10-3/4" on 20 cu. ft. and 22 cu. ft. models; 14-3/16" on 25 cu. ft. models on freezer side to remove bin.

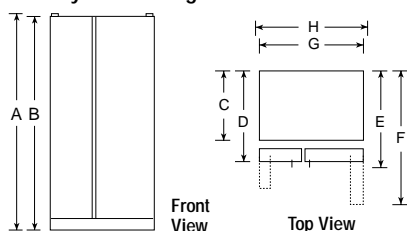
To remove fresh food pans, remove door bins.

Clearances required to remove fresh food full-size pan without disassembling: 13-1/2" on 20 cu. ft.; 15" on 22 cu. ft.; and 18-15/16" on 25 cu. ft.

Allow additional space for any necessary leveling adjustments.

ALL MODELS AVAILABLE IN U.S. AND CANADA.

Side-By-Side Refrigerators



Total volume and shelf area are calculated by the Association of Home Appliance Manufacturers' standards.



Listed by Underwriters Laboratories

Side-By-Side Refrigerators

| | GE "I" Series | | GE "D" Series |
|--|---------------------------------|------------------------------|----------------------------|
| | GSS22IBM GSS20IBM | GSS20IEM | GSS20DBM |
| Stainless steel model | | | |
| Capacity | | | |
| Total (cu. ft.) | 21.7 / 19.8 | 19.9 | 19.8 |
| Fresh food (cu. ft.) | 14.70 / 12.75 | 12.75 | 12.75 |
| Freezer (cu. ft.) | 7.04 | 7.11 | 7.04 |
| Shelf area (sq. ft.) | 21.1 / 18.1 | 17.3 | 18.2 |
| Fresh Food Features | | | |
| LightTouch! Dispenser features | | Crushed Ice, Cubes, Water | |
| Light | | ● | |
| Upfront electronic temperature controls | ● | ● | ● |
| Cabinet shelves | 3 Glass | 3 Glass | 3 Wire Everwhite |
| Adjustable | 3 | 3 | 3 |
| Meat pan | 1 Sealed | 1 Adj. Temp. | 1 Sealed |
| Vegetable/fruit crisper | 1 Sealed | 1 Sealed | 1 Sealed |
| Modular door bins | 4 (2 Adj. w/ gallon storage) | 4 (2 w/ gallon storage) | 4 (2 w/ gallon storage) |
| Dairy compartment | ● | ● | ● |
| Interior light system | Single-level | Single-level | Single-level |
| Quiet Package—Quiet Design | Deluxe | Deluxe | Deluxe |
| Automatic moisture control | ● | ● | ● |
| NeverClean™ condenser | ● | ● | ● |
| Freezer Features | | | |
| FrostGuard™ technology | ● | ● | ● |
| Factory-installed electronic icemaker & bin | — Opt. | Opt. | Opt. |
| Wire cabinet shelves | 5 (4 Adj.) 4 (3 Adj.) | 3 (2 Adj.) | 4 (3 Adj.) |
| Storage bin(s) | 1 | 1 | 1 |
| Door shelves | 6 | 5 | 6 |
| Interior light | ● | ● | ● |
| Appearance | | | |
| Color(s) available* | WW, CC | WW, CC, WH | WW, CC |
| Deluxe door handle(s) | CM | WW, CC, BK | CM |
| Textured steel door and case | ● | ● | ● |
| Adjustable rollers | Front | Front | Front |
| Weights & Dimensions | | | |
| Height to top of hinge (in.) A | 67-1/2 | 67-1/2 | 67-1/2 |
| Height to top of case (in.) B | 66-1/2 | 66-1/2 | 66-1/2 |
| Case depth without door (in.) C | 28 | 28 | 28 |
| Case depth less door handle (in.) D | 30-3/4 | 30-3/4 | 30-3/4 |
| Case depth with door handle (in.) E | 33 | 33 | 33 |
| Depth with fresh food door open 90° (in.) F | 48-13/16 / 46-3/16 | 46-9/16 | 46-9/16 |
| Width (in.) G | 33-1/2 / 31-1/2 | 31-1/2 | 31-1/2 |
| Width w/door open 90° less door handle (in.) H | 33-1/2 / 31-1/2 | 31-1/2 | 31-1/2 |
| Air clearances Each side (in.) | 1/8 | 1/8 | 1/8 |
| Top (in.) | 1 | 1 | 1 |
| Back (in.) | 1 | 1 | 1 |
| Approx. shipping weight (lbs.) | 315 / 300 | 300 | 300 |

*Color(s) available: BS = Black case with stainless steel doors, WW = White on white, CC = Bisque, AA = Almond on almond, BB = Black on black, BK = Black, CM = Color-Matched.

Add 9/16" for water hook-up. Hook-up fits in 5/8" back air clearance when calculating installation depth.

If installed against a wall, allow clearance of 10-3/4" on 20 cu. ft. and 22 cu. ft. models; 14-3/16" on 25 cu. ft. models on freezer side to remove bin.

To remove fresh food pans, remove door bins.

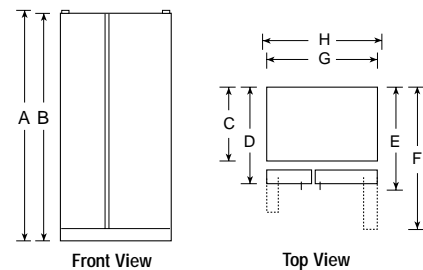
Clearances required to remove fresh food full-size pan without disassembling:

13-1/2" on 20 cu. ft.; 15" on 22 cu. ft.; and 18-15/16" on 25 cu. ft.

Allow additional space for any necessary leveling adjustments.

ALL MODELS AVAILABLE IN U.S. AND CANADA.

Side-By-Side Refrigerators



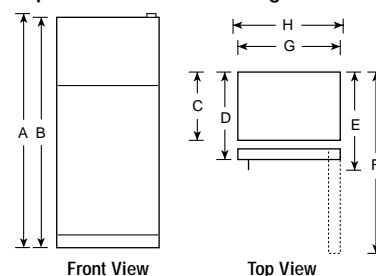
Arctica™ Top-Freezer Refrigerators

| | GE Profile Arctica™ | | | |
|--|-----------------------|-----------------------|-----------------------|-----------------------|
| | PTS25LBM | PTS25SBM | PTS22LBM | PTS22SBM |
| Stainless steel model | | ● | | ● |
| Capacity | | | | |
| Total (cu. ft.) | 24.6 | 24.6 | 21.7 | 21.7 |
| Fresh food (cu. ft.) | 17.51 | 17.51 | 15.35 | 15.35 |
| Freezer (cu. ft.) | 7.08 | 7.08 | 6.35 | 6.35 |
| Shelf area (sq. ft.) | 27.1 | 27.1 | 26.3 | 26.3 |
| Features | | | | |
| ClimateKeeper™ System | ● | ● | ● | ● |
| Air tower | ● | ● | ● | ● |
| Upfront electronic digital display | ● | ● | ● | ● |
| Electronic sensors | ● | ● | ● | ● |
| Cabinet shelves | 4 Glass | 4 Glass | 4 Glass | 4 Glass |
| Adjustable | 4 Split | 4 Split | 4 Split | 4 Split |
| Slide-out, removable | 3 | 3 | 3 | 3 |
| Spill-proof | 4 | 4 | 4 | 4 |
| ShelfSaver™ rack | ● | ● | ● | ● |
| Deli pan | Adj. Temperature | Adj. Temperature | Adj. Temperature | Adj. Temperature |
| Vegetable/fruit crisper(s) | 2 Adj. Humidity | 2 Adj. Humidity | 2 Adj. Humidity | 2 Adj. Humidity |
| Pivot-out pan removal system | ● | ● | ● | ● |
| Clear Look™ modular gallon door bins | 4 | 4 | 4 | 4 |
| Snugger™ clip(s) | 2 | 2 | 2 | 2 |
| Fixed door bins | 1 (Tall Bottle) | 1 (Tall Bottle) | 1 (Tall Bottle) | 1 (Tall Bottle) |
| Dairy compartment (butter dish) | ● | ● | ● | ● |
| Interior light system | Dual | Dual | Dual | Dual |
| Quiet Package—Quiet Design | Premium | Premium | Premium | Premium |
| Automatic moisture control | ● | ● | ● | ● |
| NeverClean™ condenser | ● | ● | ● | ● |
| Freezer Features | | | | |
| Air tower (freezer) | ● | ● | ● | ● |
| Ice 'N Easy trays | 3 | 3 | 3 | 3 |
| Ice storage bin | Ice Bucket | Ice Bucket | Ice Bucket | Ice Bucket |
| Ice shelf | 1 vertical | 1 vertical | 1 vertical | 1 vertical |
| FrostGuard™ technology | ● | ● | ● | ● |
| Spill-proof freezer floor | ● | ● | ● | ● |
| Wire freezer compartment shelves | 1 full-width (2 pos.) | 1 full-width (2 pos.) | 1 full-width (2 pos.) | 1 full-width (2 pos.) |
| Freezer door bins | 2 (1 Adj.) | 2 (1 Adj.) | 2 (1 Adj.) | 2 (1 Adj.) |
| Tilt-out locking freezer door bin | ● | ● | ● | ● |
| Interior light | ● | ● | ● | ● |
| Exterior | | | | |
| Color(s) available* | WW, CC, AA, BB | BS | WW, CC, AA, BB | BS |
| Deluxe door handle(s) | Color-Matched | Black | Color-Matched | Black |
| Customer installed handles | ● | ● | ● | ● |
| Exterior design | Rounded Doors | Rounded Doors | Rounded Doors | Rounded Doors |
| Reversible doors | ● | ● | ● | ● |
| Adjustable rollers | Front | Front | Front | Front |
| Weights & Dimensions | | | | |
| Height to top of hinge (in.) A | 67-1/2 | 67-1/2 | 67-1/2 | 67-1/2 |
| Height to top of case (in.) B | 66-7/8 | 66-7/8 | 66-7/8 | 66-7/8 |
| Case depth without door (in.) C | 27-5/8 | 27-5/8 | 27-5/8 | 27-5/8 |
| Case depth less door handle (in.) D | 31-5/8 | 31-5/8 | 31-5/8 | 31-5/8 |
| Case depth with door handle (in.) E | 33-5/8 | 33-5/8 | 33-5/8 | 33-5/8 |
| Depth with fresh food door open 90° (in.) F | 66 | 66 | 63 | 63 |
| Width (in.) G | 35 7/8 | 35-7/8 | 32-7/8 | 32-7/8 |
| Width w/door open 90° less door handle (in.) H | 36 | 36 | 33 | 33 |
| Air clearances | Each side (in.) | 1/8 | 1/8 | 1/8 |
| Top (in.) | 1 | 1 | 1 | 1 |
| Back (in.) | 1 | 1 | 1 | 1 |
| Approx. shipping weight (lbs.) | 310 | 310 | 260 | 260 |

*Color(s) available: BS = Black case with stainless steel doors, WW = White on white, CC = Bisque, AA = Almond on almond, BB = Black on black.

ALL MODELS AVAILABLE IN U.S. AND CANADA.

Top-Freezer No-Frost Refrigerator



CustomStyle™ Top-Freezer Refrigerators

| | GE Profile™ | | | | | | |
|--|-------------------------|---------------------------|-------------------------|---------------------------|-------------------------|---------------------------|----------------------------|
| | PTC22MBM | PTC22MFM | PTC22SBM | PTC22SFM | PTI22MBM | PTI22MFM | PTI22SFM |
| Stainless steel model | | | ● | ● | | | ● |
| Capacity | | | | | | | |
| Total (cu. ft.) | 21.9 | 21.7 | 21.9 | 21.7 | 21.9 | 21.7 | 21.7 |
| Fresh food (cu. ft.) | 15.4 | 15.4 | 15.4 | 15.4 | 15.4 | 15.4 | 15.4 |
| Freezer (cu. ft.) | 6.5 | 6.3 | 6.5 | 6.3 | 6.5 | 6.3 | 6.3 |
| Shelf area (sq. ft.) | 22.4 | 20 | 22.4 | 20 | 22.4 | 20 | 20 |
| Features | | | | | | | |
| SmartWater™ Filtration System | | ● | | ● | | ● | ● |
| LightTouch! Dispenser | | Crushed Ice, Cubes, Water | | Crushed Ice, Cubes, Water | | Crushed Ice, Cubes, Water | Crushed Ice, Cubes, Water |
| Illuminated upfront temperature controls | ● | ● | ● | ● | ● | ● | ● |
| Cabinet shelves | 4 Glass | 4 Glass | 4 Glass | 4 Glass | 4 Glass | 4 Glass | 4 Glass |
| Adjustable | 4 Split | 4 Split | 4 Split | 4 Split | 4 Split | 4 Split | 4 Split |
| Slide-out, spill-proof | 3 | 3 | 3 | 3 | 3 | 3 | 3 |
| Snugger™ clip(s) | 2 | 2 | 2 | 2 | 2 | 2 | 2 |
| QuickSpace™ shelf | ● | ● | ● | ● | ● | ● | ● |
| Quick Store™ bin | ● | ● | ● | ● | ● | ● | ● |
| Meat pan | Adj. Temperature | Adj. Temperature | Adj. Temperature | Adj. Temperature | Adj. Temperature | Adj. Temperature | Adj. Temperature |
| Vegetable/fruit crisper(s) | 2 Adj. Humidity | 2 Adj. Humidity | 2 Adj. Humidity | 2 Adj. Humidity | 2 Adj. Humidity | 2 Adj. Humidity | 2 Adj. Humidity |
| Spill-proof crisper cover | ● | ● | ● | ● | ● | ● | ● |
| ClearLook™ modular door bins | 3 Adj. w/gallon storage | 3 Adj. w/gallon storage | 3 Adj. w/gallon storage | 3 Adj. w/gallon storage | 3 Adj. w/gallon storage | 3 Adj. w/gallon storage | 3 Adj. w/gallon storage |
| Fixed door bins | 1 F/W tall bottle | 1 F/W tall bottle | 1 F/W tall bottle | 1 F/W tall bottle | 1 F/W tall bottle | 1 F/W tall bottle | 1 F/W tall bottle |
| Slide-out, slide-over pan removal system | ● | ● | ● | ● | ● | ● | ● |
| Dairy compartment (removable butter dish) | ● | ● | ● | ● | ● | ● | ● |
| Beverage rack | ● | ● | ● | ● | ● | ● | ● |
| Egg bin (clear) | ● | ● | ● | ● | ● | ● | ● |
| Interior light system | Dual | Dual | Dual | Dual | Dual | Dual | Dual |
| Quiet Package – Quiet Design | Deluxe | Deluxe | Deluxe | Deluxe | Deluxe | Deluxe | Deluxe |
| Automatic moisture control | ● | ● | ● | ● | ● | ● | ● |
| NeverClean™ condenser | ● | ● | ● | ● | ● | ● | ● |
| Energy Star | | ● | | ● | | ● | ● |
| Freezer Features | | | | | | | |
| Factory-installed electronic ice-maker & bin | | ● | | ● | | ● | ● |
| Ice 'N Easy trays | 4 | | 4 | | 4 | | |
| Ice storage bin | ● | | ● | | ● | | |
| Wire compartment shelf(s) | 2 Split (Adj.) | 1 (Adj.) | 2 Split (Adj.) | 1 (Adj.) | 2 Split (Adj.) | 1 (Adj.) | 1 (Adj.) |
| Door bins | 2 Adj./1 F/W fixed | 2 fixed w/gallon storage | 2 Adj./1 F/W fixed | 2 fixed w/gallon storage | 2 Adj./1 F/W fixed | 2 fixed w/gallon storage | 2 fixed w/gallon storage |
| Interior light | ● | ● | ● | ● | ● | ● | ● |
| Exterior | | | | | | | |
| Color(s) available* | WW, CC, BB | WW, CC, BB | BS | BS | WW, BB | WW, BB | BS |
| CustomStyle™ configuration | Trimless | Trimless | Trimless | Trimless | Installed Trim | Installed Trim | Installed Trim |
| Premium door handles | CM Deluxe | CM Deluxe | Black Deluxe | Black Deluxe | CM Full-Length | CM Full-Length | Stainless steel Appearance |
| Choose right or left door opening | ● | ● | ● | ● | ● | ● | ● |
| Reversible doors | ● | | | | | | |
| Exterior design | Rounded Doors | Rounded Doors | Rounded Doors | Rounded Doors | Squared Doors | Squared Doors | Squared Doors |
| Adjustable rollers | All | All | All | All | All | All | All |
| Weights & Dimensions | | | | | | | |
| Height to top of hinge (in.) A | 69-7/8 | 69-7/8 | 69-7/8 | 69-7/8 | 69-7/8 | 69-7/8 | 69-7/8 |
| Height to top of case (in.) B | 68-3/4 | 68-3/4 | 68-3/4 | 68-3/4 | 68-3/4 | 68-3/4 | 68-3/4 |
| Case depth without door (in.) C | 23-3/4 | 23-3/4 | 23-3/4 | 23-3/4 | 23-3/4 | 23-3/4 | 23-3/4 |
| Case depth less door handle (in.) D | 26-3/4 | 26-3/4 | 26-3/4 | 26-3/4 | 26-3/4 | 26-3/4 | 26-3/4 |
| Case depth with door handle (in.) E | 28-3/8 | 28-5/8 | 28-3/8 | 28-5/8 | 28-3/8 | 28-3/8 | 28-5/8 |
| Depth with fresh food door open 90° (in.) F | 61 | 61 | 61 | 61 | 61 | 61 | 61 |
| Width (in.) G | 35-3/4 | 35-3/4 | 35-3/4 | 35-3/4 | 35-3/4 | 35-3/4 | 35-3/4 |
| Width with door open 90° w/door handle (in.) H | 38-1/4 | 38-1/4 | 38-1/4 | 38-1/4 | 36-5/8 | 36-5/8 | 36-5/8 |
| Air clearances Each side (in.) | 1/8 | 1/8 | 1/8 | 1/8 | 1/8 | 1/8 | 1/8 |
| Top (in.) | 1 | 1 | 1 | 1 | 1 | 1 | 1 |
| Back (in.) | 1/2 | 1/2 | 1/2 | 1/2 | 1/2 | 1/2 | 1/2 |
| Approx. shipping weight (lbs.) | 300 | 324 | 300 | 324 | 300 | 324 | 360 |
| Accessories | | | | | | | |
| Black acrylic panels (optional) | N/A | N/A | N/A | N/A | PTPK22CBB | PTPK22DBB | N/A |
| White acrylic panels (optional) | N/A | N/A | N/A | N/A | PTPK22CWW | PTPK22DWW | N/A |
| Stainless steel panels (optional) | N/A | N/A | N/A | N/A | PTPK22CSS | PTPK22DSS | N/A |
| Black collar trim (optional) | N/A | N/A | N/A | N/A | TRMBISBB | TRMBISBB | N/A |
| White collar trim (optional) | N/A | N/A | N/A | N/A | TRMBISWW | TRMBISWW | N/A |
| Bisque collar trim (optional) | N/A | N/A | N/A | N/A | N/A | N/A | N/A |
| Stainless steel collar trim (optional) | N/A | N/A | N/A | N/A | N/A | TRMBISSS | TRMBISSS |

*Color(s) available: BS = Black case with stainless steel doors, WW = White on white, CC = Bisque, BB = Black on black, CM = Color-Matched.

ALL MODELS AVAILABLE IN U.S. AND CANADA.

GE Profile CustomStyle™ Top-Freezer Installation Information and Specifications

Rough-In Dimensions

Standard, New Construction and Replacement Installation

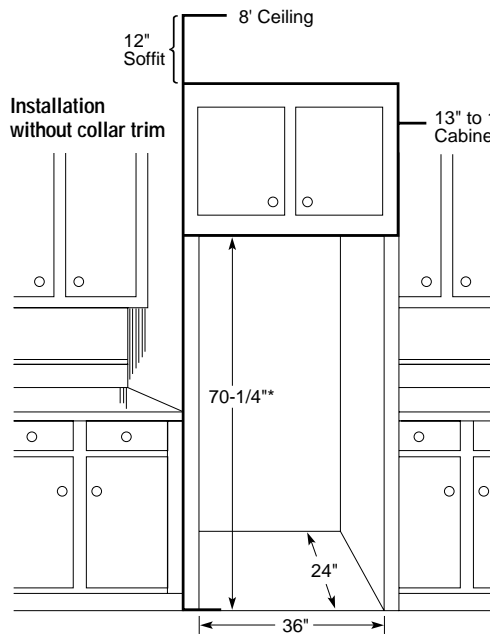
Installation Tips to Maximize the Built-In Look

- All wall/floor molding should be removed prior to installation.
- Water recess on rear wall recommended to prevent water line damage. 48" minimum length 1/4" diameter water line tubing recommended.
- When possible, recess both copper water line and electrical outlet. (See local codes)
- Front and rear leveling legs are adjustable for the built-in look. (See owner's manual)

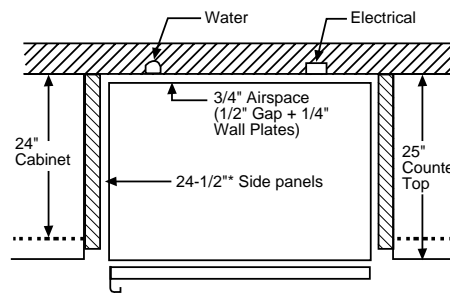
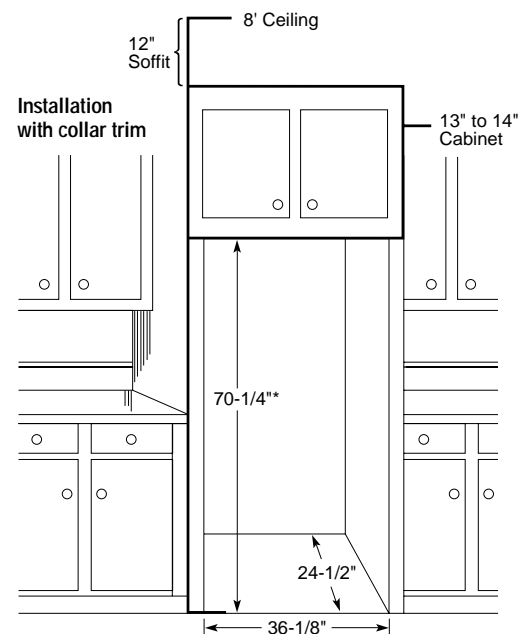
Collar Trim Installation

An enclosure is **required** to match up to the trim, see Typical Installation. To obtain the most integrated look, the cabinet or soffit above the refrigerator should extend out to the same depth as the side panels. The refrigerator opening must have minimum dimensions of 70-1/4" high x 36-1/8" wide x 24-1/2" deep as shown at right. If there is an overhead cabinet, allow 1" for cabinet door clearance with the top trim piece so the cabinet doors can be opened without hitting the top trim. If 1/2" side panels are used, then side trim and panel will be even. If 3/4" side panels are used, then some of the side panel will extend beyond the trim and must be finished.

Rough-In Dimensions



Collar Trim Installation



*The rough-in dimension of 70-1/4" is minimum and is measured from the finished floor to top of opening (or the underside of the overhead cabinets). For Models with Trim Kit: If frameless style cabinets are planned for above the refrigerator, you may need to consider adding a maximum of 1/4" (70-1/2") to height of opening to allow additional clearance between cabinet doors and top of refrigerator trim when cabinet doors are in open position.

For 22 cu. ft. models only.

*22" depth applies to the refrigerator opening, not the actual cabinet depth.

Door Panel Dimensions

Order your own custom wood panels to match cabinetry or other decor.

| | Fresh Food Panels | Freezer Panel Without Dispenser | Freezer Panel With Dispenser |
|------------|------------------------|---------------------------------|------------------------------|
| 22 cu. ft. | B-42-1/4" C-35-3/4" | A-24-1/16" C-35-3/4" | D-24-1/16" C-35-3/4" |

Panels up to 1/4" thick will fit door frame with no special preparation.

Add filler behind material thinner than 1/4" for proper fit.

Note: Panels up to 3/4" will require special routing area around handles. Dimensions may vary depending on depth of panel.

Handle Side Clearance

- At least 2" (51 mm) on the handle side for fingertip clearances.

Top and Bottom Clearance

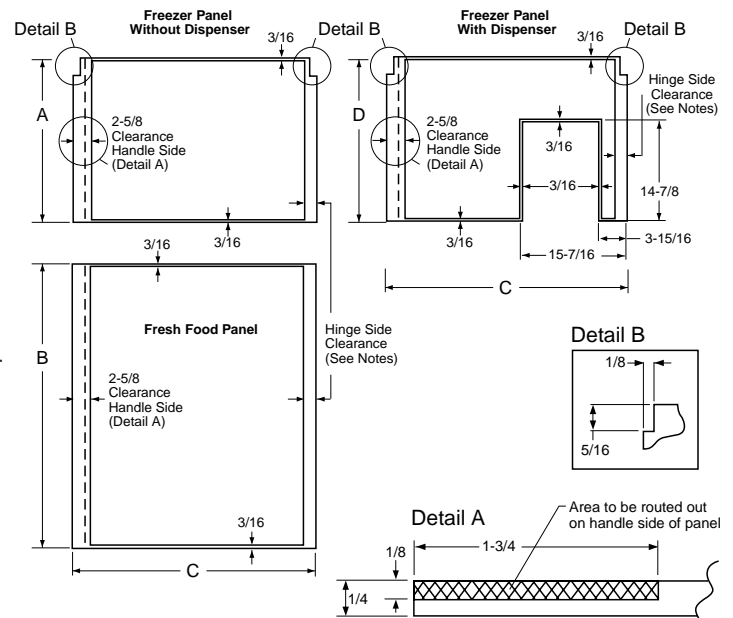
- At least 3/16" (4.75 mm) at the top and bottom edges to allow for trim flange.

Hinge Side Clearance

- A 3/4" (19 mm) thick door panel may strike the adjacent countertops when the door is fully opened. Therefore, the hinge side clearance to raised panel will vary according to the installation situation.
 - Allow 1-3/4" (44 mm) clearance when installation does not include side panels.
 - The installation of 3/4" (19 mm) thick side panels requires less clearance because the space between the door and adjacent countertop is wider.
- To avoid door contact to countertop consider:
 - Miter the corner of the adjacent countertops 45°, or
 - Pull the refrigerator forward enough to avoid contact.

Stability Leg

- The top-freezer refrigerator is the first cabinet-depth top-freezer. This means depth is more shallow than conventional models and the width is larger. The stability leg gives the unit extra support.



IMPORTANT: Before finalizing specifications for your GE Profile CustomStyle Refrigerator, please NOTE:

- A minimum of 36" is required for refrigerator installation
- Be sure to allow for 1/2" or 3/4" side panels in addition to the 36" minimum

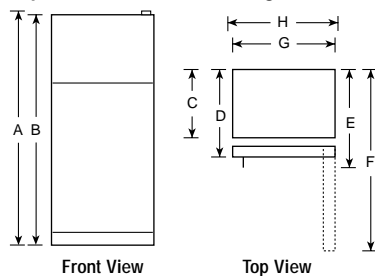
Top-Freezer Refrigerators

| | GE "K" Series | | GE "H" Series | GE "I" Series | | GE "F" Series | | GE "E" Series |
|--|----------------------|----------------------|--------------------|-----------------------------|-----------------------------|---|---|---|
| | GTS22KBM GTS22KCM | GTS18KBM GTS18KCM | GTS18HBM | GTS22IBM GTS22ICM | GTS18IBM GTS18ICM | GTS22FBM | GTS18FBM | GTS18EBM |
| Capacity | | | | | | | | |
| Total (cu. ft.) | 21.7 | 17.9 | 17.6 | 21.8 | 17.9 | 21.8 | 17.6 | 17.6 |
| Fresh food (cu. ft.) | 15.35 | 12.87 | 13.62 | 15.47 | 12.89 | 15.47 | 13.62 | 13.62 |
| Freezer (cu. ft.) | 6.35 | 4.98 | 4.01 | 6.37 | 5.03 | 6.37 | 4.01 | 4.01 |
| Shelf area (sq. ft.) | 25.3/24.9 | 22.4/22.0 | 20.3 | 25.4/25.1 | 22.6/22.2 | 25.4 | 20.3 | 20.3 |
| Features | | | | | | | | |
| Upfront temperature controls | Illuminated | Illuminated | ● | Illuminated | Illuminated | Illuminated | ● | ● |
| Cabinet shelves (adjustable) | 4 Glass | 4 Glass | 3 Glass | 3 Glass | 3 Glass | 3 (1 F/W wire, 1 split wire, 1 split glass) | 3 (1 F/W wire, 1 split wire, 1 split glass) | 3 (1 F/W wire, 1 split wire, 1 split glass) |
| (slide-out) | 4 Split | 4 Split | 2 Split, 1 F/W | 2 Split, 1 F/W | 2 Split, 1 F/W | 3 | 3 | 3 |
| (spill-proof) | 4 | 4 | | | | | | |
| Snuggler™ clip(s) | 2 | 2 | | | | | | |
| Vegetable/fruit crisper(s) | 2 Adj. Humidity | 2 Adj. Humidity | 2 | 2 | 2 | 2 | 2 | 2 |
| Snack pan | ● | ● | ● | ● | ● | ● | ● | ● |
| Pivot-out pan removal system | ● | | | ● | | ● | | ● |
| Modular gallon door bins | 3 (Adj.) | 3 (Adj.) | | | | | | |
| Fixed door bins | 1 (Tall Bottle) | 1 (Tall Bottle) | | 2 F/W (1 w/ gallon storage) | 2 F/W (1 w/ gallon storage) | | | |
| Door shelves | | | 2 w/gallon storage | 1 w/gal. storage | 1 w/gal. storage | 2 F/W (1 w/ gallon storage) | 2 w/gallon storage | 2 Tall Bottle storage |
| Dairy compartment (butter dish) | ● | ● | ● | ● | ● | ● | ● | ● |
| Utility bin (opaque) | ●/— | ●/— | ● | ●/— | ●/— | ● | | ● |
| Interior light system | Dual | Dual | Single | Dual | Dual | Dual | Single | Single |
| Quiet Package—Quiet Design | Deluxe | Deluxe | Deluxe | Deluxe | Deluxe | Deluxe | Deluxe | Deluxe |
| Automatic moisture control | ● | ● | ● | ● | ● | ● | ● | ● |
| NeverClean™ condenser | ● | ● | ● | ● | ● | ● | ● | ● |
| Freezer Features | | | | | | | | |
| Factory-installed electronic icemaker | Opt. (IM4)/— | Opt. (IM4)/— | Opt. (IM4) | Opt. (IM4)/● | Opt. (IM4)/● | Opt. (IM4) | Opt. (IM4) | Opt. (IM4) |
| Ice 'N Easy trays | 2/— | 2/— | 2 | 2/— | 2/— | 2 | 2 | 2 |
| Ice storage bin | —/Ice Bucket | —/Ice Bucket | | —/Ice Bucket | —/Ice Bucket | | | |
| Ice shelf | Vertical/— | Vertical/— | | Vertical/— | Vertical/— | Vertical | | |
| FrostGuard™ technology | ● | | | ● | | ● | | |
| Spill-proof freezer floor | ● | ● | | ● | ● | ● | | |
| Wire freezer compartment shelves | 1 F/W (2 pos.) | 1 F/W (2 pos.) | Step | 1 F/W (2 pos.) | 1 F/W (2 pos.) | 1 F/W (2 pos.) | Step | Step |
| Modular door bins | 1 (Adj.) | 2 | | | | | | |
| Fixed door bins | 1 Split | | | | | | | |
| Fixed door shelves | | | 2 | 2 F/W w/ gallon storage | 2 Full-width | 2 w/gal. storage | 2 | 2 |
| Tilt-out locking freezer door bin | ● | ● | | | | | | |
| Interior light | ● | ● | | | | | | |
| Exterior | | | | | | | | |
| Color(s) available* | WW, CC, AA, BB | WW, CC, BB | WW, CC | WW, CC | WW, CC | WW, CC | WW, CC | WW, CC |
| Door handle(s) | CM | CM | CM | CM | CM | CM | CM | CM |
| Customer installed handles | ● | ● | | ● | ● | | | |
| Exterior design | Rounded Doors | Rounded Doors | Square Doors | Rounded Doors | Rounded Doors | Rounded Doors | Square Doors | Square Doors |
| Reversible doors | ● | ● | ● | ● | ● | ● | ● | ● |
| Adjustable rollers | Front | Front | Front | Front | Front | Front | Front | Front |
| Weights & Dimensions | | | | | | | | |
| Height to top of hinge (in.) A | 67-1/2 | 66-5/8 | 67-3/8 | 67-1/2 | 66-5/8 | 67-1/2 | 67-3/8 | 67-3/8 |
| Height to top of case (in.) B | 66-7/8 | 66-1/8 | 66-7/8 | 66-7/8 | 66-1/8 | 66-7/8 | 66-7/8 | 66-7/8 |
| Case depth without door (in.) C | 27-5/8 | 27-1/2 | 26-3/4 | 27-5/8 | 27-1/2 | 27-5/8 | 26-3/4 | 26-3/4 |
| Case depth less door handle (in.) D | 31-5/8 | 30-1/4 | 30-1/2 | 31-5/8 | 30-1/4 | 31-5/8 | 30-1/2 | 30-1/2 |
| Case depth with door handle (in.) E | 33-5/8 | 32-1/8 | 32-3/8 | 33-5/8 | 32-1/8 | 33-5/8 | 32-3/8 | 32-3/8 |
| Depth w/fresh food door open 90° (in.) F | 63 | 58-1/8 | 56-3/8 | 63 | 58-1/8 | 63 | 56-3/8 | 56-3/8 |
| Width (in.) G | 32-7/8 | 29-1/2 | 28 | 32-7/8 | 29-1/2 | 32-7/8 | 28 | 28 |
| Width w/door open 90° less door handle (in.) H | 33 | 30 | 28-7/8 | 33 | 30 | 33 | 28-7/8 | 28-7/8 |
| Air clearances Each side (in.) | 1/8 | 1/8 | 3/4 | 1/8 | 1/8 | 1/8 | 3/4 | 3/4 |
| Top (in.) | 1 | 1 | 1 | 1 | 1 | 1 | 1 | 1 |
| Back (in.) | 1 | 1 | 1 | 1 | 1 | 1 | 1 | 1 |
| Approx. shipping weight (lbs.) | 255/260 | 231/236 | 192 | 255/260 | 226/231 | 255 | 187 | 187 |

*Color(s) available: WW = White on white, CC = Bisque, AA = Almond on almond, BB = Black on black, CM = Color-Matched.

ALL MODELS AVAILABLE IN U.S. AND CANADA.

Top-Freezer No-Frost Refrigerator



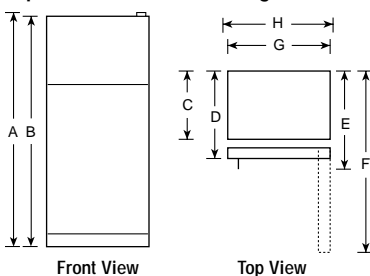
Note: All Top-Freezer No-Frost Right-Hand Refrigerator Doors: As you face the front of the refrigerator, the handle is on your left and the hinges are on your right.
All Top-Freezer No-Frost Left-Hand Refrigerator Doors: As you face the front of the refrigerator, the handle is on your right and the hinges are on your left.

Top-Freezer Refrigerators

| | GE "D" Series | | GE "B" Series | | | | | | GE "A" Series | |
|--|------------------------|------------------------|-----------------|----------------------|-----------------|----------------------|-----------------|---------------|-----------------|-------------------|
| | GTS18DBM | GTS18DCM | GTR18BBM | GTS17BBM GTS17BCM | GTR17BBM | GTS15BBM GTS15BCM | GTR15BBM | GTS12BBM | GTS18ABM | GTS10AAM |
| Capacity | | | | | | | | | | |
| Total (cu. ft.) | 17.9 | 17.9 | 17.6 | 16.9 | 16.9 | 14.6 | 14.6 | 11.7 | 17.6 | 9.8 |
| Fresh food (cu. ft.) | 12.89 | 12.89 | 13.62 | 13.05 | 13.05 | 10.77 | 10.77 | 8.80 | 13.50 | 7.5 |
| Freezer (cu. ft.) | 5.03 | 5.03 | 4.01 | 3.86 | 3.86 | 3.86 | 3.86 | 2.90 | 4.01 | 2.33 |
| Shelf area (sq. ft.) | 22.6 | 22.2 | 18.0 | 17.5/16.7 | 17.5 | 17.2/16.4 | 17.2 | 13.6 | 16.9 | 12.1 |
| Features | | | | | | | | | | |
| Upfront temperature controls | ● | ● | ● | ● | ● | ● | ● | ● | ● | ● |
| Cabinet shelves (adjustable) | 3 Wire | 3 Wire | 2 Wire | 2 Wire | 2 Wire | 2 Wire | 2 Wire | 2 Wire | 2 Wire | 2 Wire |
| Vegetable/fruit crisper(s) | 2 Split, 1 F/W | 2 Split, 1 F/W | 2 F/W | 2 F/W | 2 F/W | 2 F/W | 2 F/W | 2 F/W | 2 F/W | 2 F/W |
| Snack pan | 2 | 2 | 2 | 2 | 2 | 2 | 2 | Divided | 1 F/W | 1 F/W |
| Door shelves | ● | ● | | | | | | | | |
| Dairy compartment (butter dish) | 3 (2/w gallon storage) | 3 (2/w gallon storage) | 2 (Tall Bottle) | 2 (Tall Bottle) | 2 (Tall Bottle) | 2 (Tall Bottle) | 2 (Tall Bottle) | 2-1/2 | 2 (Tall Bottle) | 4 (1 Tall Bottle) |
| Utility bin (opaque) | ● | ● | ● | ● | ● | ● | ● | ● | ● | ● |
| Interior light system | ● | ● | ● | ● | ● | ● | ● | ● | ● | ● |
| Quiet Package—Quiet Design | Single | Single | Single | Single | Single | Single | Single | Single | Single | Single |
| Automatic moisture control | Deluxe | Deluxe | Deluxe | Deluxe | Deluxe | Deluxe | Deluxe | Deluxe | Deluxe | Deluxe |
| NeverClean™ condenser | ● | ● | ● | ● | ● | ● | ● | ● | ● | ● |
| Freezer Features | | | | | | | | | | |
| Factory-installed electronic icemaker & bin | Opt. (IM4) | ● | Opt. (IM4) | Opt. (IM4) / ● | Opt. (IM4) | Opt. (IM4) / ● | Opt. (IM4) | Opt. (IM4) | Opt. (IM4) | |
| Ice 'N Easy trays | 2 | | 2 | 2 / - | 2 | 2 / - | 2 | 1 | 1 | 2 |
| Ice storage bin | | Ice Bucket | | - / Ice Bucket | | - / Ice Bucket | | | | |
| Wire freezer compartment shelves | 1 F/W (2 pos.) | 1 F/W (2 pos.) | | | | | | | | 1 F/W |
| Fixed door shelves | 2 | 2 | 2 | 2 | 2 | 2 | 2 | 2 | 2 | 1 |
| Exterior | | | | | | | | | | |
| Color(s) available* | WW, CC, AA | WW, CC, AA | WW, AA | WW, CC, AA | WW, AA | WW, CC, AA | WW, AA | WW, CC | WW | WW |
| Door handle(s) | CM | CM | Recessed | CM | Recessed | CM | Recessed | CM | CM | CM Recessed |
| Customer installed handles | ● | ● | | | | | | | | |
| Exterior design | Rounded Doors | Rounded Doors | Square Doors | Square Doors | Square Doors | Square Doors | Square Doors | Rounded Doors | Square Doors | Rounded Doors |
| Reversible doors | ● | ● | ● | ● | ● | ● | ● | ● | ● | ● |
| Choose right or left door opening | ● | ● | ● | ● | ● | ● | ● | ● | ● | ● |
| Adjustable rollers | Front | Front | Front | Front | Front | Front | Front | Front | Front | ● |
| Weights & Dimensions | | | | | | | | | | |
| Height to top of hinge (in.) A | 66-5/8 | 66-5/8 | 67-3/8 | 67-3/8 | 67-3/8 | 61-3/4 | 61-3/4 | 60-5/8 | 67-3/8 | 59-1/8 |
| Height to top of case (in.) B | 66-1/8 | 66-1/8 | 66-7/8 | 66-7/8 | 66-7/8 | 61-1/4 | 61-1/4 | 60-1/4 | 66-7/8 | 58-5/8 |
| Case depth without door (in.) C | 27-1/2 | 27-1/2 | 26-3/4 | 26-3/4 | 26-3/4 | 25-7/8 | 25-7/8 | 27-1/2 | 26-3/4 | 25 |
| Case depth less door handle (in.) D | 30-1/4 | 30-1/4 | 30-1/2 | 30 | 30 | 29-1/8 | 29-1/8 | 30-1/4 | 30-1/2 | 26-3/8 |
| Case depth with door handle (in.) E | 32-1/8 | 32-1/8 | 30-1/2 | 31-7/8 | 30 | 31 | 29-1/8 | 32 | 32-3/8 | 28 |
| Depth w/fresh food door open 90° (in.) F | 58-1/8 | 58-1/8 | 56-3/8 | 55-3/4 | 55-3/4 | 54-7/8 | 54-7/8 | 51-5/8 | 56-3/8 | 48-3/4 |
| Width (in.) G | 29-1/2 | 29-1/2 | 28 | 28 | 28 | 28 | 28 | 23-3/8 | 28 | 23-5/8 |
| Width w/door open 90° less door handle (in.) H | 30 | 30 | 28-7/8 | 28-5/8 | 28-5/8 | 25-5/8 | 25-5/8 | 24-1/8 | 28-7/8 | 24-1/8 |
| Air clearances Each Side (in.) | 1/8 | 1/8 | 3/4 | 3/4 | 3/4 | 3/4 | 3/4 | 3/4 | 3/4 | 3/4 |
| Top (in.) | 1 | 1 | 1 | 1 | 1 | 1 | 1 | 2 | 1 | 1 |
| Back (in.) | 1 | 1 | 1 | 1 | 1 | 1 | 1 | 3/4 | 1 | 1 |
| Approx. shipping weight (lbs.) | 223 | 228 | 178 | 179 / 184 | 178 | 166 / 171 | 165 | 166 | 177 | 157 |

*Color(s) available: WW = White on white, CC = Bisque, AA = Almond on almond, BB = Black on black, CM = Color-Matched.
ALL MODELS AVAILABLE IN U.S. AND CANADA.

Top-Freezer No-Frost Refrigerator



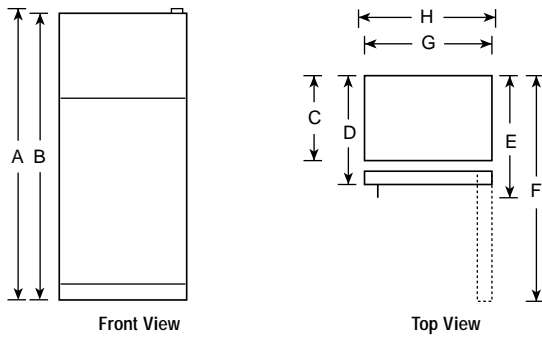
Note: All Top-Freezer No-Frost Right-Hand Refrigerator Doors: As you face the front of the refrigerator, the handle is on your left and the hinges are on your right.
 All Top-Freezer No-Frost Left-Hand Refrigerator Doors: As you face the front of the refrigerator, the handle is on your right and the hinges are on your left.

Cycle and Manual Defrost Refrigerators

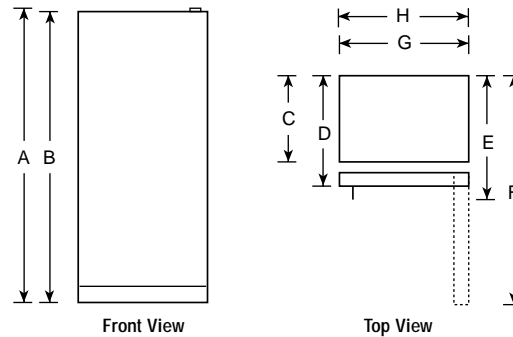
| | GE | | |
|---|---------------|------------|----------------|
| | Cycle Defrost | | Manual Defrost |
| | TDX11SNY | TDX9SNY | GMS10AAM |
| Capacity | | | |
| Total (cu. ft.) | 11.0 | 9.0 | 9.6 |
| Fresh food (cu. ft.) | 8.6 | 6.6 | 8.64 |
| Freezer (cu. ft.) | 2.4 | 2.4 | .94* |
| Shelf area (sq. ft.) | 15.5 | 15.2 | 9.88 |
| Features | | | |
| Ice 'N Easy trays | 2 Mini | 2 Mini | 2 |
| Freezer chiller tray with baffle | | | ● |
| Cabinet shelves | 3 Adj. | 2 Adj. | 2 Adj. |
| Vegetable/fruit crisper | 1 F/W | 1 F/W | 1 F/W |
| Door shelves | 4 (2 Adj.) | 4 (3 Adj.) | 5 (2 Egg) |
| Tall bottle storage on door | ● | ● | ● |
| Dairy compartment(s) | 2 | 2 | 1 |
| Egg storage bin | | | Pockets |
| Freezer compartment shelf(s) | 1 F/W | | 1 F/W |
| Economical/Quiet | | | |
| Cabinet/door insulation | Foam | Foam | Foam |
| Cabinet/door liner | Plastic | Plastic | Plastic |
| Appearance | | | |
| Color(s) available | White | White | White |
| Door handle(s) | White | White | White |
| Reversible doors | ● | ● | ● |
| Right or left door opening | | | ● |
| Weights & Dimensions | | | |
| Height to top of hinge (in.) A | 63-1/2 | 55 | 58 |
| Height to top of case (in.) B | 63 | 54-1/2 | 57-9/16 |
| Case depth without door (in.) C | 20-1/2 | 20-1/2 | 21-3/8 |
| Case depth with door less handle (in.) D | 23-1/4 | 23-1/4 | 23-1/2 |
| Case depth with door handle (in.) E | 24-1/2 | 24-3/4 | 24-13/16 |
| Depth with door open 90° less door handle (in.) F | 46 | 46 | 44-13/16 |
| Width (in.) G | 23-1/4 | 23-1/2 | 23 |
| Width w/door open 90° less door handle (in.) H | 23-3/4 | 23-3/4 | 23-1/2 |
| Air clearances Each side (in.) | 1/2 | 1/2 | 5/8 |
| Top (in.) | 2 | 2 | 2 |
| Back (in.) | 2 | 2 | 1 |
| Approx. shipping weight (lbs.) | 139 | 126 | 135 |

*Compartment for short-term storage of frozen food. The frozen food compartment of this refrigerator will make ice, and pre-frozen foods can be stored for about **two weeks**. It will not effectively freeze fresh foods or provide long-term storage for meats, poultry, or fish.

Cycle Defrost Two Door Refrigerator



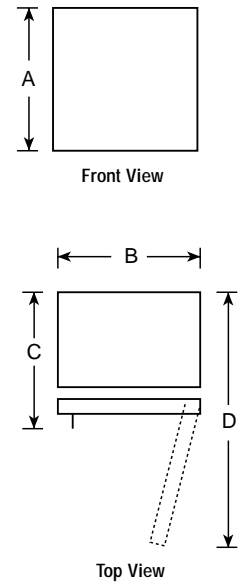
Manual Defrost Single Door Refrigerator



Spacemaker™ Compact Refrigerators

Spacemaker™ Refrigerator

| | GE | | | | |
|----------------------------------|--------------|------------------------|------------------------|------------------------|------------------------|
| | GMR06AAMWW | GMR04AAMWW | GMR04AAMBB | GMR02AAMWW | GMR02AAMBB |
| Capacity | | | | | |
| Total (cu. ft.) | 6.0 | 4.3 | 4.3 | 1.8 | 1.8 |
| Fresh food (cu. ft.) | 5.51 | 3.26 | 3.26 | 1.51 | 1.51 |
| Freezer (cu. ft.) | .49* | .42* | .42* | .21* | .21* |
| Shelf area (sq. ft.) | 8.8 | 6.0 | 6.0 | 2.9 | 2.9 |
| Features | | | | | |
| Ice 'N Easy trays | 2 Mini | 2 Mini | 1 Mini | 1 Mini | 1 Mini |
| Manual defrost | ● | ● | ● | ● | ● |
| Cabinet shelves (wire) | 2 Adj. | 2 Adj. | 2 Adj. | | |
| Vegetable/fruit pan | | | ● | | |
| Can rack | | ● | ● | | |
| Door shelves | 3 F/W | 2-1/2 | 2-1/2 | 1-1/2 | 1-1/2 |
| Economical/Quiet | | | | | |
| Cabinet/door insulation | Foam | Foam | Foam | Foam | Foam |
| Cabinet/door liner | Polystyrene | Polystyrene | Polystyrene | Polystyrene | Polystyrene |
| Appearance | | | | | |
| Color(s) available | White | White | Black | White | Black |
| Door handles | White Visor | Color-Matched Recessed | Color-Matched Recessed | Color-Matched Recessed | Color-Matched Recessed |
| Rounded doors | | ● | ● | ● | ● |
| Weights & Dimensions | | | | | |
| Height (in.) A | 34-1/4 | 32-7/8 | 32-7/8 | 19-7/8 | 19-7/8 |
| Width (in.) B | 23-5/8 | 20-1/16 | 20-1/16 | 18-7/8 | 18-7/8 |
| Depth with handle (in.) C | 25-7/8 | 21-7/8 | 21-7/8 | 19-1/4 | 19-1/4 |
| Depth with door open 90° (in.) D | 47-1/2 | 39-1/4 | 39-1/4 | 37 | 37 |
| Air clearances | | | | | |
| Each side (in.) | 0† | 1/2 | 1/2 | 1/2 | 1/2 |
| Top (in.) | 1-1/2 | 2 | 2 | 2 | 2 |
| Back (in.) | 3/4 | 2 | 2 | 2 | 2 |
| Approx. shipping weight (lbs.) | 88 | 77 | 77 | 51 | 51 |
| Accessories | | | | | |
| Custom trim and black panel | TK6 Optional | | | | |



*Compartment for short-term storage of frozen food. The frozen food compartment of this refrigerator will make ice, and pre-frozen foods can be stored for about **two weeks**. It will not effectively freeze fresh foods or provide long-term storage for meats, poultry, or fish.
 † If installed against a wall, allow 1-1/4" on hinge side to allow for proper door opening.

Today's GE refrigerators use about 50% as much energy as refrigerator models made in 1980.

Bottom-Freezer Refrigerators

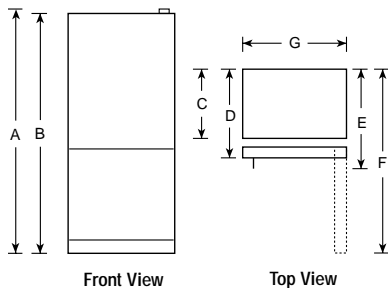
| | GE Profile™ | | GE | |
|---|----------------------|----------------------|------------------------|----------------------|
| | PDS18LBM** | PDS18SBM** | GBS22LBM | GBS18KBM** |
| Stainless steel model | | ● | | |
| Capacity | | | | |
| Total (cu. ft.) | 18.1 | 18.1 | 21.7 | 18.1 |
| Fresh food (cu. ft.) | 13.44 | 13.44 | 15.25 | 13.44 |
| Freezer (cu. ft.) | 4.64 | 4.64 | 6.51 | 4.64 |
| Shelf area (sq. ft.) | 21.0 | 21.0 | 30.1 | 22.2 |
| Features | | | | |
| Brita Water Door Module | ● | ● | | |
| Cabinet shelves | 4 Glass | 4 Glass | 4 Glass | 4 Glass |
| Adjustable | 4 Split | 4 Split | 4 Split | 4 Split |
| Slide-out | 2 | 2 | 3 | |
| Spill-proof | 4 | 4 | 4 | 4 |
| ShelfSaver™ rack | ● | ● | ● | |
| Vegetable/fruit crisper(s) | 2 Adj. Humidity | 2 Adj. Humidity | 2 Adj. Humidity | 2 Adj. Humidity |
| Snack pan | Clear | Clear | Clear | Clear |
| Modular door bins | 3 | 3 | 4 (2 Adj.) | 3 |
| Snuggler™ clip(s) | 2 | 2 | 2 | 2 |
| Fixed door bins | 1 F/W w/gal. storage | 1 F/W w/gal. storage | 1 F/W | 1 F/W w/gal. storage |
| Dairy compartment | ● | ● | ● | ● |
| (butter dish) | ● | ● | | |
| Interior light | Dual | Dual | Single | Dual |
| Quiet package—Quiet Design | Deluxe | Deluxe | Deluxe | Deluxe |
| Automatic moisture control | ● | ● | ● | ● |
| NeverClean™ condenser | ● | ● | ● | ● |
| Freezer Features | | | | |
| Factory-installed electronic icemaker & bin | Opt. (IM4) | Opt. (IM4) | Opt. (UK-35) | Opt. (IM4) |
| Ice 'N Easy trays | 2 | 2 | 2 | 2 |
| Ice tray shelf | | | ● | |
| Ice storage bin | | | ● | |
| Full slide-out wire basket(s) | 1 F/W, 2 Split | 1 F/W, 2 Split | 1 | 1 F/W |
| Wire compartment shelves | | | 1 F/W | 1 F/W, 1 Split |
| Interior light | ● | ● | 1 | 1 |
| Exterior | | | | |
| Color(s) available* | WW, CC, BB | BS | WW, CC, BB | WW, CC |
| Door handle(s) | Color-Matched | Color-Matched | Color-Matched Extruded | Color-Matched |
| Exterior design | Rounded Doors | Rounded Doors | Square Doors | Rounded Doors |
| Door stops | ● | ● | ● | ● |
| Reversible doors | ● | | ● | ● |
| Choose left or right door opening | | ● | | |
| Adjustable rollers | Front | Front | Front | Front |
| Weights & Dimensions | | | | |
| Height to top of hinge (in.) A | 66-1/4 | 66-1/4 | 68-3/8 | 66-1/4 |
| Height to top of case (in.) B | 65-3/4 | 65-3/4 | 67-5/8 | 65-3/4 |
| Case depth without door (in.) C | 25-1/4 | 25-1/4 | 28-3/4 | 25-1/4 |
| Case depth less door handle (in.) D | 28 | 28 | 32-3/4 | 28 |
| Case depth with door handle (in.) E | 30-3/8 | 30-3/8 | 33-3/4 | 30-3/8 |
| Depth w/door open 90° (in.) F | 57-3/4 | 57-3/4 | 64-1/2 | 57-3/4 |
| Width (in.) G | 31 | 31 | 32-5/8 | 31 |
| Side clearance for 90° door open | 2-3/8 | 2-3/8 | 2-1/8 | 2-1/4 |
| Air clearances Each side (in.) | 0 | 0 | 0 | 0 |
| Top (in.) | 1 | 1 | 1 | 1 |
| Back (in.) | 1/2 | 1/2 | 1 | 1/2 |
| Approx. shipping weight (lbs.) | 257 | 257 | 325 | 257 |

*Color(s) available: BS = Black case with stainless steel doors, WW = White on white, CC = Bisque, BB = Black on black.

**Available September 2001

ALL MODELS AVAILABLE IN U.S. AND CANADA.

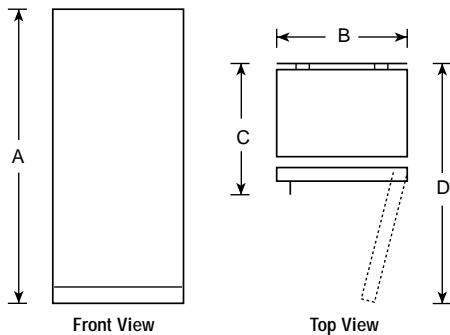
Bottom-Freezer Refrigerators



Upright Freezers

| GE | | | | | | | | | | | | |
|----------------------------------|--------------------------|-----------------------|-----------------------|-----------------------|-----------------------|-----------------------|-----------------------|-----------------------|-----------------------|-----------------------|-------------|-------------|
| | Frost-Free | | | Manual Defrost | | | | | | | | |
| | FUF20PM FUF20DM | FUF17PM FUF17DM | FUF14PM FUF14DM | FUM21DM | FUM21SM | FUM17DM | FUM17SM | FUM14DM | FUM14SM | FUM12SM | FUM9SM | FUM5SM |
| Capacity | | | | | | | | | | | | |
| Total volume (cu. ft.) | 20.3 | 16.7 | 13.7 | 20.6 | 20.6 | 17.1 | 17.1 | 14.1 | 14.1 | 11.6 | 8.7 | 5.0 |
| Shelf area (sq. ft.) | 23.4 / 23.9 | 18.4 | 14.3 | 25.3 | 21.9 | 19.1 | 16.2 | 17.9 | 15.0 | 13.0 | 10.7 | 6.0 |
| Features | | | | | | | | | | | | |
| Audible temperature alarm | ● / - | ● / - | ● / - | | | | | | | | | |
| Temperature control | Adjustable | Adjustable | Adjustable | Adjustable | Adjustable | Adjustable | Adjustable | Adjustable | Adjustable | Adjustable | Adjustable | Adjustable |
| Limited food loss warranty | ● | ● | ● | ● | ● | ● | ● | ● | ● | ● | ● | ● |
| Door shelves (total) | 6 | 5 | 5 | 6 | 6 | 5 | 5 | 5 | 5 | 4 | 4 | 3 |
| Tip-out door storage | 2 / - | 2 / - | 2 / - | | | | | | | | | |
| Defrost water drain | | | | ● | ● | ● | ● | ● | ● | ● | ● | |
| Interior light | ● | ● | ● | ● | | ● | | ● | | | | |
| Lock | ● | ● | ● | ● | | ● | | ● | | | | |
| Cabinet shelves (total) | 4 (3 Adj.) 5 (3 Adj.) | 4 (3 Adj.) | 3 (2 Adj.) | 5 (1 Adj.) | 4 | 4 (1 Adj.) | 3 | 4 (1 Adj.) | 3 | 3 | 3 | 2 |
| Slide-out bulk storage basket | 2 / 1 | 2 / 1 | 1 | 1 | | 1 | | 1 | | | | |
| Economical/Quiet | | | | | | | | | | | | |
| Defrost | Frost-Free | Frost-Free | Frost-Free | Manual | Manual | Manual | Manual | Manual | Manual | Manual | Manual | Manual |
| Magnetic door gasket | ● | ● | ● | ● | ● | ● | ● | ● | ● | ● | ● | ● |
| Cabinet liner | Baked enamel-on-steel | Baked enamel-on-steel | Baked enamel-on-steel | Baked enamel-on-steel | Baked enamel-on-steel | Baked enamel-on-steel | Baked enamel-on-steel | Baked enamel-on-steel | Baked enamel-on-steel | Baked enamel-on-steel | Polystyrene | Polystyrene |
| Wrap-around condenser | ● | ● | ● | ● | ● | ● | ● | ● | ● | ● | ● | ● |
| Appearance | | | | | | | | | | | | |
| Color available | White | White | White | White | White | White | White | White | White | White | White | White |
| Door handle | ● | ● | ● | ● | Recessed | ● | Recessed | ● | Recessed | Recessed | ● | Recessed |
| Textured steel case/door | ● | ● | ● | ● | ● | ● | ● | ● | ● | ● | ● | ● |
| Weights & Dimensions | | | | | | | | | | | | |
| Height (in.) A | 70 | 64-1/2 | 59 | 70 | 70 | 64-1/2 | 64-1/2 | 59 | 59 | 54-1/2 | 51 | 33-1/2 |
| Width (in.) B | 32 | 32 | 28 | 32 | 32 | 32 | 32 | 28 | 28 | 28 | 24 | 21-3/8 |
| Depth (in.) C | 28-1/2 | 26-1/2 | 28-1/2 | 28-1/2 | 28-1/2 | 26-1/2 | 26-1/2 | 28-1/2 | 28-1/2 | 26-1/2 | 26-1/2 | 26-1/8 |
| Depth with door open 90° (in.) D | 59-1/8 | 57-1/8 | 55-1/8 | 59-1/8 | 59-1/8 | 57-1/8 | 57-1/8 | 55-1/8 | 55-1/8 | 53-1/8 | 41-1/8 | 45-3/4 |
| Air clearances | | | | | | | | | | | | |
| Each side (in.) | 3 | 3 | 3 | 3 | 3 | 3 | 3 | 3 | 3 | 3 | 3 | 1 |
| Top (in.) | 3 | 3 | 3 | 3 | 3 | 3 | 3 | 3 | 3 | 3 | 3 | 4 |
| Back (in.) | 3 | 3 | 3 | 3 | 3 | 3 | 3 | 3 | 3 | 3 | 3 | 4 |
| Approx. shipping weight (lbs.) | 235 | 214 | 186 | 224 | 224 | 200 | 200 | 178 | 178 | 164 | 144 | 80 |

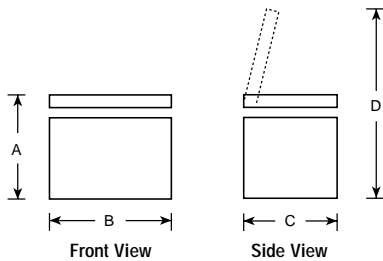
NOTE: For proper installation of Upright Freezers (except FUM9SM and FUM5SM), allow clearance of 3" on each side; 3" or 4" on top; and 3" on back.



Chest Freezers

| | GE | | | | | | | | |
|---|--------------------|--------------------|--------------------|--------------------|--------------------|--------------------|--------------------|--------------------|--------------------|
| | FCM25DM | FCM20DM | FCM15DM | FCM15SM | FCM9DM | FCM9SM | FCM7DM | FCM5DM | FCM5SM |
| Capacity | | | | | | | | | |
| Total volume (cu. ft.) | 24.9 | 19.7 | 14.8 | 14.8 | 8.8 | 8.8 | 7.2 | 5.0 | 5.0 |
| Features | | | | | | | | | |
| Manual defrost | ● | ● | ● | ● | ● | ● | ● | ● | ● |
| Temperature control | Adjustable | Adjustable | Adjustable | Adjustable | Adjustable | Adjustable | Adjustable | Adjustable | Adjustable |
| Wrap-around condenser | ● | ● | ● | ● | ● | ● | ● | ● | ● |
| Wrap-around evaporator | ● | ● | ● | ● | ● | ● | ● | ● | ● |
| Limited food loss warranty | ● | ● | ● | ● | ● | ● | ● | ● | ● |
| Defrost water drain | ● | ● | ● | ● | ● | ● | ● | ● | ● |
| Interior light | ● | ● | ● | | ● | | | | |
| Lock | ● | ● | ● | | ● | | ● | | |
| Lift-out and sliding bulk storage basket(s) | 4 | 3 | 2 | 1 | 2 | 1 | 2 | 2 | 1 |
| Fast Freeze | | | | | | | | ● | |
| Economical/Quiet | | | | | | | | | |
| Insulation (cabinet and lid)—Foam | ● | ● | ● | ● | ● | ● | ● | ● | ● |
| Cabinet liner | Steel Epoxy-Coated | Steel Epoxy-Coated | Steel Epoxy-Coated | Steel Epoxy-Coated | Steel Epoxy-Coated | Steel Epoxy-Coated | Steel Epoxy-Coated | Steel Epoxy-Coated | Steel Epoxy-Coated |
| Appearance | | | | | | | | | |
| Color available | White | White | White | White | White | White | White | White | White |
| Handle | ● | ● | ● | Recessed | ● | Recessed | ● | ● | Recessed |
| Textured steel case and lid | ● | ● | ● | ● | ● | ● | ● | ● | ● |
| Weights & Dimensions | | | | | | | | | |
| Height (in.) A | 35 | 35 | 35 | 35 | 34-1/4 | 34-1/4 | 34-1/4 | 33 | 33 |
| Width (in.) B | 73-1/4 | 61-1/4 | 48 | 48 | 41 | 41 | 35 | 29.1 | 29.1 |
| Depth (in.) C | 29-1/2 | 29-1/2 | 29-1/2 | 29-1/2 | 23-1/4 | 23-1/4 | 23-1/4 | 22 | 22 |
| Height with lid open (in.) D | 60-3/4 | 60-3/4 | 60-3/4 | 60-3/4 | 53-3/4 | 53-3/4 | 53-3/4 | 53-1/2 | 53-1/2 |
| Air clearances Each side (in.) | 3 | 3 | 3 | 3 | 3 | 3 | 3 | 3 | 3 |
| Back (in.) | 3 | 3 | 3 | 3 | 3 | 3 | 3 | 3 | 3 |
| Approx. shipping weight (lbs.) | 224 | 195 | 161 | 161 | 127 | 127 | 115 | 101 | 101 |

NOTE: For proper installation of Chest Freezers, allow clearance of 3" on each side and 3" on back.



Create a Custom Look for Your GE Refrigerator

Decide from a choice of GE optional Panels and Trim to create a distinctive appearance for your new refrigerator. Pre-cut panels in Black, White or Bisque provide an exciting way to express your individual taste and preference while complementing your kitchen.

GE Profile CustomStyle™ Side-By-Side Refrigerators

Acrylic and Stainless Steel Panels

| Model No. | Black Acrylic Panels | White Acrylic Panels | Bisque Acrylic Panels | Stainless Steel Panels |
|-----------|----------------------|----------------------|-----------------------|------------------------|
| PSI23MCM | PPK23CBB | PPK23CWW | PPK23CCC | — |
| PSI23MGM | PPK23DBB | PPK23DWW | PPK23DCC | PPK23DSS |
| PSI23NGM | PPK23DBB | PPK23DWW | PPK23DCC | PPK23DSS |

Collar Trim

| Model No. | Black Collar Trim | White Collar Trim | Bisque Collar Trim | Stainless Steel Collar Trim |
|-----------|-------------------|-------------------|--------------------|-----------------------------|
| PSI23MCM | TRMBISBB | TRMBISWW | TRMBISCC | TRMBISSS |
| PSI23SCM | TRMBISBB | TRMBISWW | TRMBISCC | TRMBISSS |
| PSI23MGM | TRMBISBB | TRMBISWW | TRMBISCC | TRMBISSS |
| PSI23NGM | TRMBISBB | TRMBISWW | TRMBISCC | TRMBISSS |
| PSI23SGM | TRMBISBB | TRMBISWW | TRMBISCC | TRMBISSS |

GE Profile CustomStyle™ Top-Freezer No-Frost Refrigerators

Acrylic Panels and Trim

| Model No. | Black Acrylic Panels | White Acrylic Panels | Stainless Steel Panels | Black Collar Trim | White Collar Trim | Stainless Steel Trim |
|-----------|----------------------|----------------------|------------------------|-------------------|-------------------|----------------------|
| PTI22MBM | PTPK22CBB | PTPK22CWW | PTPK22CSS | TRMBISBB | TRMBISWW | TRMBISSS |
| PTI22MFM | PTPK22DBB | PTPK22DWW | PTPK22DSS | TRMBISBB | TRMBISWW | TRMBISSS |

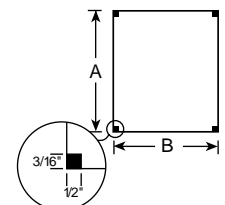
Quality GE Spacemaker™ Compact Refrigerator TK6 Trim

- Panel is black painted aluminum
- Trim is black plastic that covers entire side of door
- 1/4" wood can also be used with the trim

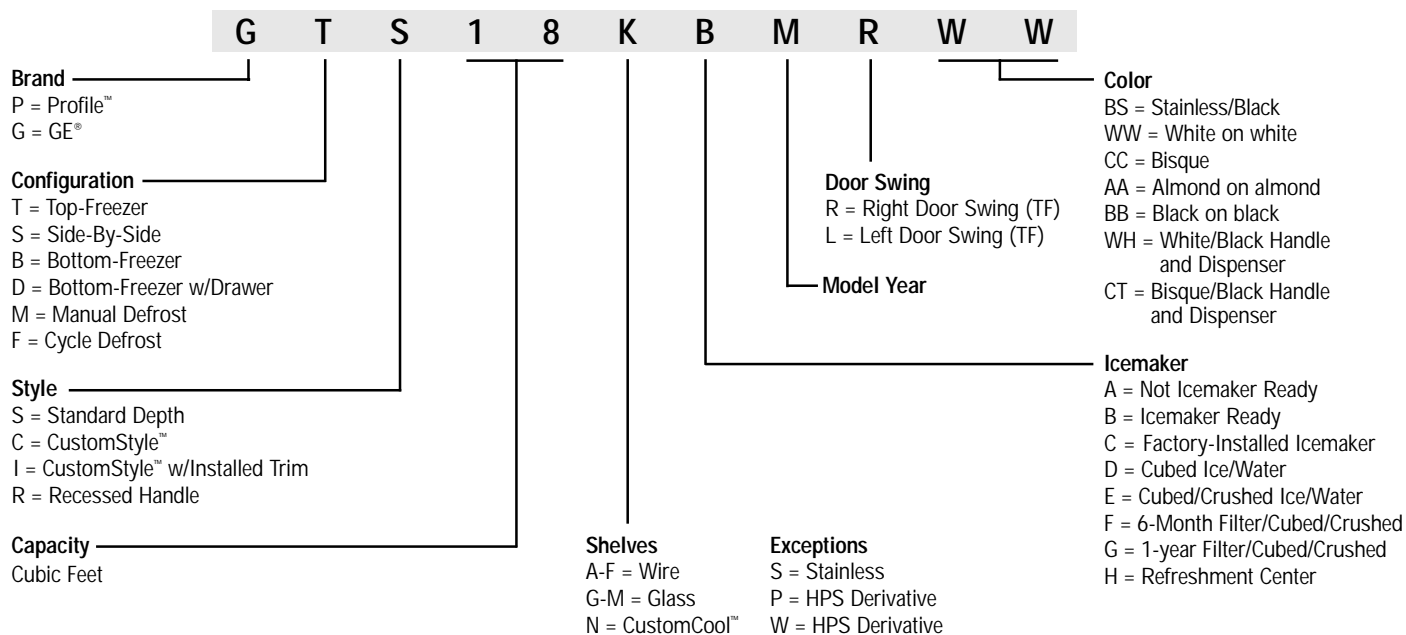
Order your own custom door panel to match cabinetry or other decor.
 —Maximum panel thickness 1/4"
 —Minimum panel thickness 1/8"
 Notch all four corners of panel

Custom Trim

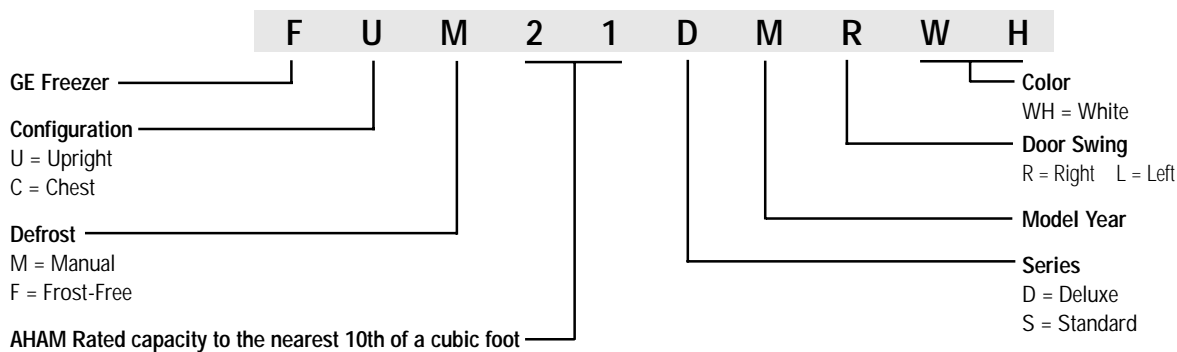
| Model No. | Black Trim No. | Custom Panel Insert Cut-Out Dimensions (Inches) | |
|-----------|----------------|---|--------|
| | | A | B |
| GMR06AAM | TK6 | 29 | 22-3/4 |



Reading Refrigerator Nomenclature



Reading Freezer Nomenclature



GE Refrigerator Warranty

Refrigerators

| For The Period Of | GE Will Replace |
|---|---|
| One Year From the date of the original purchase | Any part in the refrigerator which fails due to a defect in materials or workmanship. During this full one-year warranty , GE will provide all labor and in-home service costs to replace the defective part free of charge . |
| Five Years From the date of the original purchase | Sealed Refrigeration System or Compressor , if either of these parts should fail due to a defect in materials or workmanship. During this limited five-year warranty , GE will also provide all labor and in-home service costs to replace the defective part free of charge . |

Icemakers

| For The Period Of | GE Will Replace |
|---|---|
| One Year From the date of the original purchase | Any part in the icemaker which fails due to a defect in materials or workmanship. During this full one-year warranty , GE will also provide all labor and in-home service to replace the defective part free of charge . |

Water Filter

| For The Period Of | GE Will Replace |
|--|--|
| 30 Days From the date of the original purchase | Any part of the water filter cartridge which fails due to a defect in materials or workmanship during this limited thirty-day warranty . |

Industry leading service support from—



America's
#1
Preferred
Appliance
Brand

GE is the appliance brand most often mentioned among the brands rated as offering the best products and services in America.*

*Source: *Louis Harris Poll* - 2000

GE Appliances on the Web
www.GEAppliances.com

Everything you want to know about GE appliances.

The GE Answer Center®
800.626.2000

Questions? Call anytime.

GE Genuine Parts
800.626.2002

Accessories to enhance, upgrade or fix it.

GE Appliance Service
800.432.2737
(800.GE.CARES)

Product service at your convenience.



GE Appliances

General Electric Company
Louisville, Kentucky 40225
www.GEAppliances.com

GE has a policy of continuous improvement of its products and reserves the right to change materials and specifications without notice.

© 2001 General Electric Company
Pub. No. 2-S331 PC23348