

# GE Showcase

*GE Profile™ and GE Dishwashers*



*We bring good things to life.*

Profile



## *GE Profile™ Series Dishwasher Products*

*The choice of sophisticated consumers, GE Profile™ appliances set the pace for smart style and high performance in today's kitchens.*

*GE Profile™ dishwashers clean dishes the way you want them done: quietly, thoroughly, efficiently. Innovative features include SmartWash, flexible SmartRacks, and the Clean Sensor, which automatically adjust the wash to suit the dishload.*

*QuietPower Plus insulation absorbs wash sounds and vibrations so well, you'll hardly notice your dishwasher is busy at work.*



## Why Buy GE Profile™ Dishwashers?

### ■ Quiet



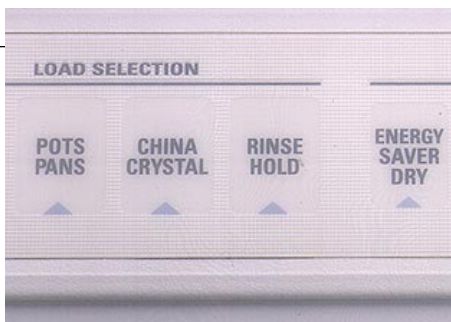
### ■ Performance



### ■ Flexibility



### ■ Convenience



GE Profile™ Dishwashers. There *is* a difference.

## GE Profile™ Delivers

### An Entire System of Quiet Features

- GE Profile™ QuietMotor runs cool, quiet and is energy efficient.
- GE Profile™ QuietPower Plus™ includes an extensive insulation package that minimizes dishwasher noise in the kitchen.

### Save Time, Energy and Money

- Save time, energy and money with no pre-rinsing—the powerful SmartWash Arm, GE Food Disposer and Self-Cleaning Filter automatically clean even the dirtiest dishes.
- The GE SmartWash Arm provides a variable path of wash action. This action thoroughly washes all dish surfaces versus a fixed spray pattern.

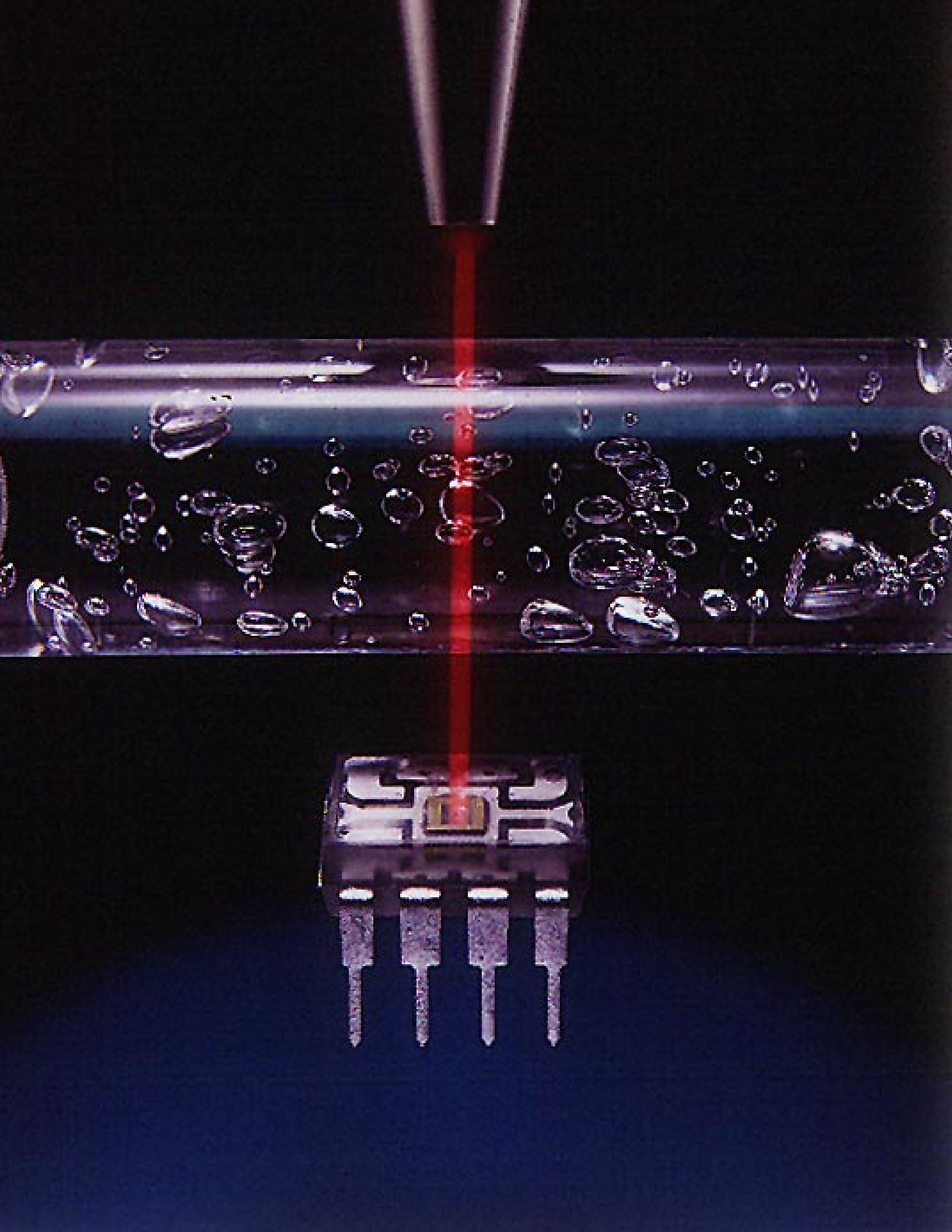
### Load The Way You Like!

- GE SmartBasket can be split into two baskets, providing greater lower rack flexibility and capacity.
- Flow-thru wall design provides optimum wash performance.

### Cleaning Dishes Is Only The Beginning!

- A variety of cycles and options give the flexibility to handle most every dishwashing need.
- QuickClean controls are easy to clean, easy to read and easy to operate.
- Delay Start programs the dishwasher to begin operation as much as 14 hours later, providing more convenient cleaning times.

Not all features available on all models.



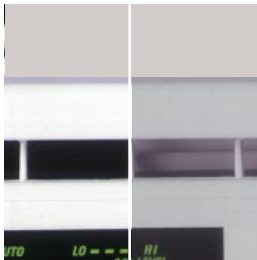
## *The 1996 GE Profile™ CleanSensor Dishwashers. GE's Best Dishwashers!*

### *Quiet*

The GE Profile™ QuietMotor has been designed for super-quiet operation. Thick Mylar/Mastic insulation has been added to the door, and the ActiveVent closes when washing to further reduce sound.

### *Performance*

We've included a state-of-the-art CleanSensor that adjusts the cleaning process according to the wash load. The SmartWash System provides three levels of wash action for excellent wash performance. Water is dispersed in a multi-orbital wash pattern, allowing water to strike dishes from different angles with each pass. We've also installed a CircuClean Pump, a second pump that selectively drains the system – improving wash performance by reducing the amount of soiled water between fills.



An ActiveVent opens when it's needed and closes when it's not—automatically. This reduces outside water noise during the wash cycle.



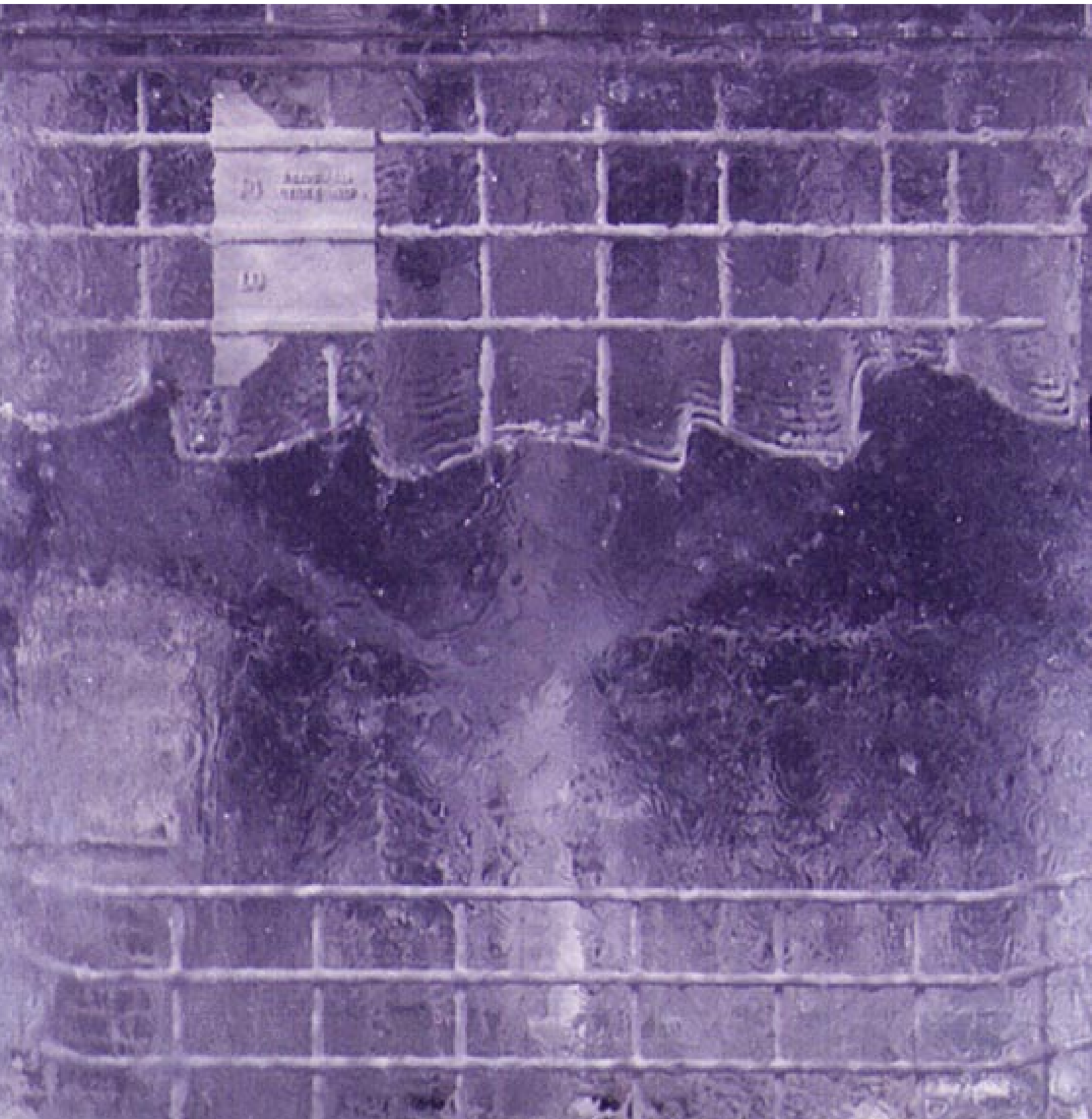
### *Flexibility*

SmartRacks are designed to allow more flexibility in loading the washer. There are over 20 ways to load your Profile™ Dishwasher!

### *Convenience*

To top it all off, we've designed a "seamless" appearance on the new control panel—contoured for easy cleaning.

*A Wash System Designed To Work Harder And Smarter For You.*



## *GE Profile™ Dishwashers provide flexibility and convenience.*

These performance features are designed to bring significant benefits to dishwashing. The SmartWash System brings technological breakthroughs, to clean dishes consistently, completely and quietly.

Take a look at a few of the ways that the GE Profile™ dishwashers perform!



### *GE Profile™ Insulation Package*

The GE Profile™ Insulation Package is designed for quiet operation.

Thick foil-backed insulation is placed around the tub.

Mylar/Mastic insulation is mounted in the door to effectively absorb water noise.

Even the access panel and toe kick are insulated to muffle sounds from the pump and motor.

### *QuietMotor*

The GE Profile™ QuietMotor is 50% quieter than a standard motor and runs cooler, eliminating the need for cooling vents beneath the dishwasher.



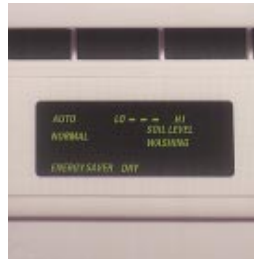
### *CircuClean Pump*

The CircuClean Pump selectively drains the system – improving wash performance by reducing the amount of soiled water between fills.



### *Self-Cleaning Filter*

The self-cleaning filter allows food particles to collect in a chamber beneath the tub, and then washes them down the drain. A special jet in the bottom of the wash arm automatically keeps the filter clean.



### *System Monitor*

A digital panel displays information about the dishwasher's functioning, showing what is going on in the dishwashing cycle, and even alerting the user to possible problems.



### *SmartBasket*

The SmartBasket, provides loading flexibility with two separate sections that can be divided. Three compartments in each, with a top that can be used as a knife holder or to contain loose or small items.



## *Finishing Touches Add Style To GE Profile™ Dishwashers.*

Although these dishwashers were designed to clean more quickly, efficiently, and quietly, they were also designed to fit beautifully in your kitchen.

The new "Seamless Design" exterior will blend in with virtually any kitchen decor. The contoured design can be easily cleaned with a sponge. And there are no hidden crevices that can catch dirt. The door panel includes a screwless trim for a cleaner appearance.

Available in White on white, Black on black or Almond on almond.



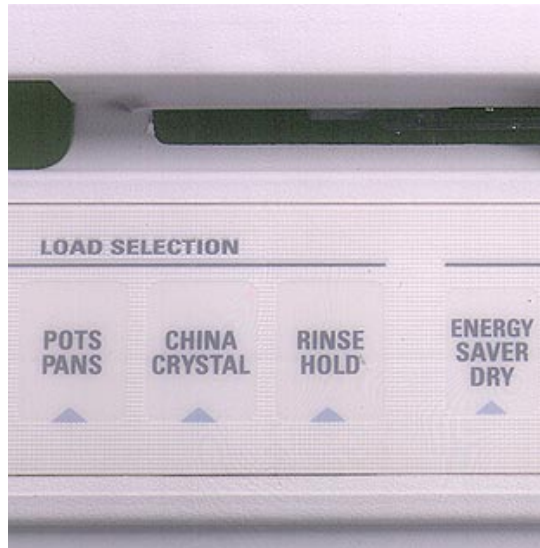
### *Color-Matched Exterior*

Dishwasher control panel, door panel and toe kick are color matched to provide a complementary look to any kitchen.



### *Clean Appearance*

Door panel includes a screwless trim for a cleaner appearance.



### *Easy-To-Read Graphics*

Large, high-contrast lettering allows for easy reading.



### *QuickClean Controls*

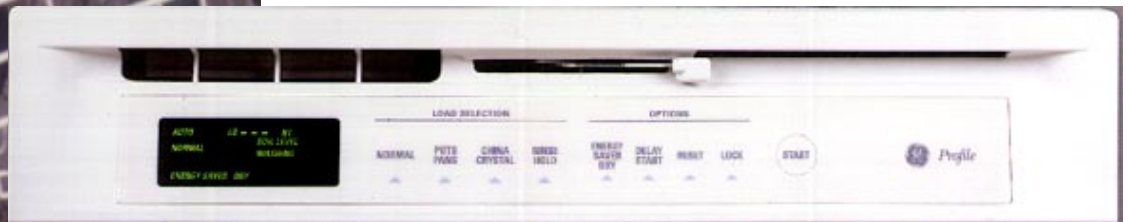
QuickClean Controls can be easily cleaned by simply wiping with a sponge. No hidden crevices that can catch dirt.



# GE Profile™ CleanSensor Dishwashers

## All Models Feature

Systems Monitor; Adjustable cycles/options; Automatic CleanSensor selections; 14 Hr. Delay Start; SmartWash System; Self-cleaning filter system; Energy Saver Dry on/off; 3 wash levels; GE Profile™ QuietMotor; GE Profile™ sound insulation; ActiveVent; Rinse Aid dispenser with indicator.



### GSD4930XWW

- CircuClean Pump
- SmartRack II with 6 rows of fold-down tines
- Metal utility shelf
- SmartBasket with handle

*GSD4940YSS (not shown)  
Stainless Steel panel and trim  
with black control panel.*

*GSD4920XBB (not shown)  
Black on black.*

*GSD4910XAA (not shown)  
Almond on almond.*

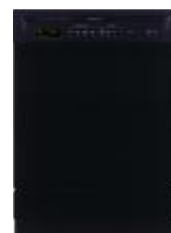


### GSD4420XBB

- Super flat lower rack
- Super upper rack with two plastic split cup shelves
- SmartBasket

*GSD4430XWW (not shown)  
White on white.*

*GSD4410XAA (not shown)  
Almond on almond.*



## GE Profile™ QuietPower™ Plus Dishwashers

### All Models Feature

SmartWash System; Self-cleaning filter system; Energy Saver Dry on/off; 3 wash levels; GE Profile™ QuietMotor; GE Profile™ sound insulation; Rinse Aid dispenser with indicator.



#### **GSD4020YBB**

- 6 Cycles/19 Options
- 6 hr. Delay Start
- Deluxe flat lower rack
- Deluxe upper rack
- SmartBasket

**GSD4030YWW** (not shown)  
White on white.

**GSD4010YAA** (not shown)  
Almond on almond.

**#1** *Quietest*  
Dishwasher  
Made In America  
for the price!

\*Consumers rate GE Profile™ dishwashers (GSD4030YWW, GSD4020YBB, GSD4010YAA) #1 for quietness in the main wash cycle, among leading brands in the \$375 - \$425 price range.



#### **GSD4130YWW**

- 7 Cycles/23 Options
- 10 hr. Delay Start
- SmartRack 1 with 2 rows of fold-down tines
- Super upper rack with two plastic split cup shelves
- SmartBasket with handle

**GSD4120YBB** (not shown)  
Black on black.

**GSD4110YAA** (not shown)  
Almond on almond.



## **GE Dishwasher Products**



*This line of GE Built-In dishwashers are feature-packed, with innovations that improve every aspect of dishwashing. These performance features provide quiet, powerful, and hassle-free operation, with the quality and style that you've come to expect from GE.*

*Features include Quiet Insulation packages, providing important noise reduction as the kitchen becomes more of a living area. QuickClean controls deliver just that, making fast work of kitchen clean-up. GE's Exclusive Lexan® controls design and smooth door combine to eliminate hidden crevices that can catch dirt, just wipe off with a sponge!*

***We bring good things to life.***

# GE Built-In Dishwashers

## Quiet!



### Quiet Insulation Package

A 3/4"-thick blanket of silver-mylar covered insulation covers top, sides and rear.

## Performance!



### PermaTuf® Construction

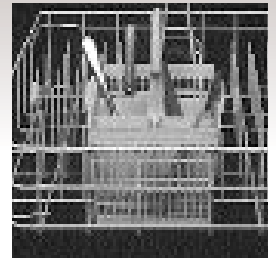
Tough, sound-dampening polypropylene base material was specially formulated to create PermaTuf® tub and door liners. It won't chip, peel or crack in normal use, and it can't rust!



### SmartWash Wash Arm

The new SmartWash Wash Arm sends vigorous jets of water from two outer wash arms with constantly changing paths to reach all dish surfaces. Combine the Power Shower® and Power Tower™ for great three-level wash action. 25° V shaped pattern provides wide coverage from each water path for full coverage throughout the dish load.

## Flexibility!



### Super Silverware Basket

A heavy-duty lift-out silverware basket is included in the lower rack. A special added feature is the hinged cover on the basket which holds lightweight items in place during washing.



### Temp Boost

Temp Boost will extend the main wash cycle in order for the water to reach the proper washing performance temperature.

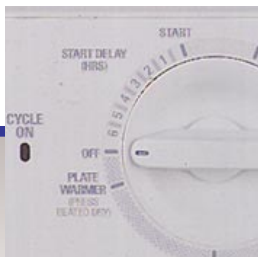
## Flexibility!



### Deluxe Flat Lower Rack

Will accommodate large plates or broiler pans.

## Convenience!



### Delay Start

Programs the dishwasher to begin operation as much as six hours later, providing more convenient cleaning times.



### QuickClean Controls

Can be easily cleaned by simply wiping with a sponge. No hidden crevices that can catch dirt. Red neon light above each cycle and option button indicate which cycle/option is being used.

## Stylish Appearance!



### Rinse Aid Dispenser

An indicator on the Rinse Aid Dispenser quickly lets you know whether there is enough rinse agent in the reservoir.



### Color-Matched Trim

Available in energizing White on white, sleek Black on black or traditional Almond on almond. Designed with contemporary styling that blends with any kitchen decor.

# GE Built-In Dishwashers

## All Models Feature:

- Cycle progress indicators
- Normal Wash cycle
- Short Wash cycle (on dial)
- Rinse Only/Hold cycle (on dial)
- Heated Dry On/Off
- Deluxe flat lower rack
- Rinse Aid dispenser



### GSD930XWWW

- White on white
- 6 cycles/19 options
- QuickClean Controls
- Light Wash cycle
- Plate Warmer cycle (on dial)
- Temp Boost On/Off
- Deluxe upper rack
- Super silverware basket
- Quiet insulation package

**GSD900XBA** (not shown)  
Black control panel with reversible black/almond door panel



### GSD800XBA

- 5 cycles/14 options
- QuickClean Controls
- Plate Warmer cycle (on dial)
- Temp Boost On/Off
- Reversible black/almond door panel
- Standard upper rack
- Super silverware basket
- Quiet insulation package

**GSD830XWWW** (not shown)  
White on white



### GSD720XBA/WB

- 5 cycles/8 options
- Plate Warmer cycle (on dial)
- Reversible black/almond or white/black door panels
- Standard upper rack
- Deluxe silverware basket
- Quiet insulation package

**GSD725XWWW** (not shown)  
White on White



### GSD530XWWW

- White on white
- 4 cycles/7 options
- Heavy Wash cycle (on dial)
- Standard access panel
- Standard upper rack
- Deluxe silverware basket
- 2 wash levels
- Standard insulation package

**GSD500XWB** (not shown)  
Black control panel with reversible white/black door panel  
**GSD500XBA** (not shown)  
Black control panel with reversible black/almond door panel  
**GSD500XAW** (not shown)  
Black control panel with reversible almond/white door panel

# GE Convertible Dishwashers

## All Models Feature:

- POTSCRUBBER Cycle
- Normal Wash cycle
- Short Wash cycle (on dial)
- Plate Warmer cycle (on dial)
- Rinse Only/Hold cycle (on dial)
- 3 wash levels
- Rinse Aid dispenser with indicator
- Standard insulation package



### GSC1200X

- QuickClean controls
- 7 cycles/23 options
- Water Saver cycle
- Light Wash cycle
- 6-hour Delay Start option (on dial)
- Temp Boost On/Off
- Heated Dry On/Off
- Energy Saver option
- White cabinet with reversible 4 color door panel pack
- Super upper rack with split cup shelf
- SmartBasket
- SmartWash System with SmartWash Wash Arm
- Self-cleaning filter system
- Super flat lower rack



Portable now



### GSC900XBA

- QuickClean controls
- 6 cycles/19 options
- Light Wash cycle
- 6-hour Delay Start Option (on dial)
- Temp Boost On/Off
- Heated Dry On/Off (on rocker)
- Almond cabinet with reversible black/almond door panel
- Deluxe upper rack
- Super silverware basket



Built-in later



### GSC720YWH/AD

- 5 cycles/8 options
- Heated Dry On/Off
- Available in white cabinet with white door panel or almond cabinet with almond door panel
- Standard upper rack
- Deluxe silverware basket

## GE Spacemaker® Undersink Dishwashers. Work Built-In Or Under The Sink.



### GSM603XAW

- 5 cycles/8 options
- POTSCRUBBER Cycle
- Normal Wash cycle
- Short Wash cycle (on dial)
- Plate Warmer cycle (on dial)
- Rinse Only/Hold cycle (on dial)
- PermaTur® interior
- Reversible almond/white door panel
- Spacemaker® upper rack
- Deluxe flat lower rack
- Deluxe silverware basket
- 2 wash levels
- Rinse Aid dispenser



Single sink bowl



Offset installation for use with disposer

## Dishwasher Accessory Kits

### Door and Access Panels:

GPF24—White/Almond      GPF26—Harvest/Black  
GPF25—Coffee/Avocado      GPF27—Black/White

### Side Panel for All GE Models:

Contains one panel and adjustable toe-kick for end cabinet installation of built-in model. Does not attach to dishwasher.

Specify color.

GPS5AD—Almond      GPS5WH—White  
GPS5CF—Coffee      GPS5HA—Harvest

### Do-It-Yourself Installation Kit

Pub. No. 5-5104

Includes all necessary parts for replacing your built-in dishwasher with a new GE model.

### Optional or Replacement Parts

GPF40BC—1/4" brush chrome trim for wood inserts  
GPF40WH—1/4" white trim for wood inserts  
GPF40BK—1/4" black trim for wood inserts  
GPF40AD—1/4" almond trim for wood inserts  
GPF45—For adding 1/4" panels. (GSD4900/4400 series only)  
GPF46—For adding 3/4" trimless panels. (GSD4900/4400 series only)  
GPF47WH—White access panel for 6" toe kick  
GPF47BK—Black access panel for 6" toe kick  
GPF52—Heavy spring kit for custom door panel weighing more than 5 lbs.  
GPF60—Stainless steel panel and trim kit for Profile™ (GSD4900/4400 series only)  
GPF95—Stainless sink for SpaceMaker dishwasher—single bowl  
21-1/4" x 25" Drain hole on right; elbow and strainer included  
GPF96—Stainless sink for SpaceMaker dishwasher—single bowl  
21-1/4" x 25" Drain hole on left; elbow and strainer included  
GPF97—Stainless sink for SpaceMaker dishwasher—double bowl  
21-1/4" x 33" Elbow and strainer included

# GE Profile™ Dishwasher Feature Comparison Chart

## GE Profile™ Series

	GSD4930XWW GSD4920XBB GSD4910XAA	GSD4430XWW GSD4420XBB GSD4410XAA	GSD4130YWW GSD4120YBB GSD4110YAA	GSD4030YWW GSD4020YBB GSD4010YAA
--	--	--	--	--

Quiet					
Sound insulation package	Profile™	Profile™	Profile™	Profile™	Profile™
GE Profile™ QuietMotor	●	●	●	●	●
ActiveVent	●	●	●		
Performance					
Control type	Solid State	Solid State	Solid State	Turn-to-start	Turn-to-start
Cycles/Options	Variable	Variable	Variable	7/23	6/19
CleanSensor	●	●	●		
Pots and Pans	Automatic	Automatic	Automatic		
POTSCRUBBER Cycle				●	●
Normal Wash	Automatic	Automatic	Automatic	●	●
Light Wash				●	●
China/Crystal	Automatic	Automatic	Automatic		
Short Wash				Dial	Dial
Plate Warmer				Dial	Dial
Rinse Only/Hold	●	●	●	●	Dial
Heated Dry On/Off	●	●	●	●	●
Temp Boost On/Off	Automatic	Automatic	Automatic	●	●
CircuClean Pump	●	●	●		
Wash levels	3	3	3	3	3
SmartWash System	●	●	●	●	●
SmartWash Wash Arm	●	●	●	●	●
Self-cleaning filter system	●	●	●	●	●
Food disposer	●	●	●	●	●
Flexibility					
Start pad	●	●	●		
Reset pad	●	●	●		
Lock pad	●	●	●		
Upper Rack	Super	Super	Super	Super	Deluxe
Lower Rack	SmartRack II (6 Fold-down rows)	SmartRack II (6 Fold-down rows)	Super Flat	SmartRack I (2 Fold-down rows)	Deluxe Flat
Utility shelf(s)	Coated Metal (Adj.)	Coated Metal (Adj.)	2 Plastic	2 Plastic	
Silverware basket	SmartBasket w/Handle	SmartBasket w/Handle	SmartBasket	SmartBasket w/Handle	SmartBasket
Convenience					
Cycle progress indicators	Systems Monitor	Systems Monitor	Systems Monitor	Dial	Dial
QuickClean controls	●	●	●	●	●
Touchpads	9	9	9	8	6
Delay Start	14-Hr.	14-Hr.	14-Hr.	10-Hr.	6-Hr.
Rinse Aid dispenser	With Indicator	With Indicator	With Indicator	With Indicator	With Indicator
General Features					
Color panels	Door: Stainless Steel Access: Stainless Steel	Wrap	Wrap	Reversible	Reversible
Colors available	Stainless Steel	WW,BB,AA	WW,BB,AA	WW,BB,AA	WW,BB,AA
Requires kit for 1/4" panel capability	Yes*	Yes*	Yes*	No	No
1, 2, 5, 20-yr. warranty**	●	●	●	●	●
Approx. shipping weight (lbs.)	81	81	81	81	81

### Warranty Information\*

1, 2, 5, 20-Year Warranty Package:  
Full one-year warranty on entire dishwasher.  
Limited second-year parts warranty on entire dishwasher.  
Limited five-year rack/electronic parts warranty.  
Full twenty-year tub/door liner warranty.  
\*See written warranty for details.



Listed by Underwriters Laboratories

### Electrical Rating

Voltage AC ..... 120  
Hertz ..... 60  
Total connected load amperage ..... 8.6  
Calrod® heater watts ..... 500  
For use on adequately wired 120-volt, 15-amp circuit having 2-wire service with a separate ground wire. This appliance must be grounded for safe operation.

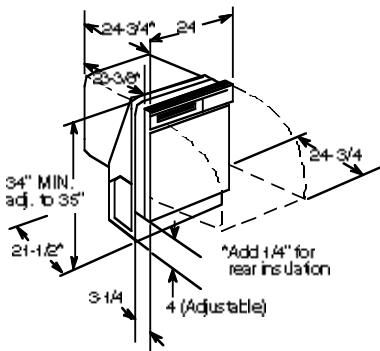
All GE Profile™ Dishwashers are equipped with the following: 120°F inlet water capability, PermaTuf® interior, Easy-Glide roller system, convection drying, 120V/60Hz/8.6A, horizontal mechanism, leveling screws.

Note: Colors available: WW = White on white, BB = Black on black, AA = Almond on almond.

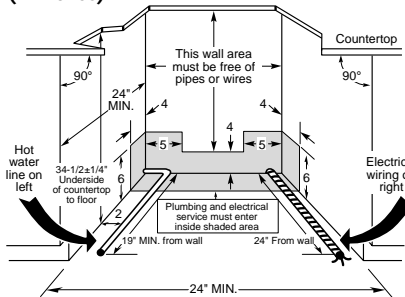
\*Kit number GPF45 is required.

\*\*See written warranty for details.

### Built-In Dishwasher Dimensions (in inches)



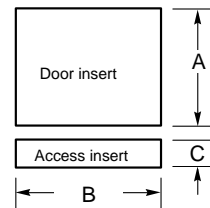
### Built-In Dishwasher Installation Information (in inches)



Note: Dishwasher must not be installed more than 10 feet from sink for proper drainage. All plumbing and electrical work must be in accordance with local codes.

Note: If a flush look is needed, a 25\"/>

### Wood Insert Cut-Out Dimensions



Models/Kit	A	B	C	Panel Thickness
GSD4900/4400 Series/GPF45 Kit	21-1/8"	23-9/16"	3-11/16"	1/4"
GSD4900/4400** Series/GPF46 Kit	20-7/8"	23-3/4"	*	3/4"
GSD4100/4000 Series	19-1/8"	23-9/16"	3-11/16"	1/4"

\*Access panel height varies depending upon toe-kick height. Access panel should align with bottom of adjacent cabinets.

Approx. 4-1/4\"/>

Approx. 2-1/4\"/>

\*\*Door insert requires additional machining.

See instructions for details.

# Built-In Dishwashers

	Potscrubber®			Built-In
	GSD930XWW* GSD900XBA	GSD830XWW* GSD800XBA	GSD725XWW* GSD720XBA/WB	GSD530XWW* GSD500XWB/BA/AW
<b>Quiet</b>				
Sound insulation package	Quiet	Quiet	Quiet	Standard
Tub insulation	●	●	●	●
<b>Performance</b>				
Control type	Turn-To-Start	Turn-To-Start	Turn-To-Start	Turn-To-Start
Cycles/Options	6/19	5/14	5/8	4/7
POTSCRUBBER Cycle	●	●	●	
Normal Wash	●	●	●	Dial
Light Wash	●			
Short Wash	Dial	Dial	Dial	Dial
Heavy Wash				Dial
Plate Warmer	Dial	Dial	Dial	
Rinse Only/Hold	Dial	Dial	Dial	Dial
Heated Dry On/Off	Rocker	Rocker	●	Rocker
Temp Boost On/Off	●	●		
Wash levels	3	3	3	2
Food disposer	●	●	●	●
<b>Flexibility</b>				
Upper Rack system	Deluxe	Standard	Standard	Standard
Lower Rack system	Deluxe Flat	Deluxe Flat	Deluxe Flat	Deluxe Flat
Silverware basket	Super	Super	Deluxe	Deluxe
<b>Convenience</b>				
Cycle progress indicators	Dial	Dial	Dial	Dial
QuickClean controls	●	●		
Touchpads/Pushbuttons	5 Pads	4 Pads	4 Pushbuttons	Rocker
Delay Start	6 Hr.			
Rinse Aid dispenser	w/Indicator	w/Indicator	●	●
<b>General Features</b>				
Color panels	Reversible	Reversible	Reversible	Reversible
Door Access	Reversible	Reversible	Reversible	Std. B*
Colors available*	B/A	B/A	B/A, W/B	WB, B/A, A/W
Trim color*	Black	Black	Black	Black
Order the GPF40 kit for 1/4" or 3/4" wood insert capability**	Yes	Yes	Yes	Yes
1, 2, 10-yr. warranty†	●	●	●	
1, 10-yr. warranty†				●
Approx. shipping weight (lbs.)	81	81	81	81

All GE Dishwashers are equipped with the following: 120°F inlet water capability, PermaTuf® interior, Easy-Glide roller system, convection drying, 120V/60Hz/8.6A, horizontal mechanism, leveling screws.

**Note:** The last two letters in the model number following the year designator (X) or (Y) indicate the color pack. No designator indicates a two-panel, four-color pack: Black/Harvest— Almond/White.

W = White A = Almond B = Black B/A = Black/Almond W/B = White/Black W/A = White/Almond A/W = Almond/White.

The first letter for panel color always indicates the color showing when shipped.

\*White on white models come with White/Almond reversible door panel, access panel and white trim.

\*\*See Use and Care Book for details.

†See written warranty for details.

## Warranty Information\*

1, 2, 5, 20-Year Warranty Package:  
Full one-year warranty on entire dishwasher.  
Limited second-year parts warranty on entire dishwasher.

Limited five-year rack/electronic parts warranty.  
Full twenty-year tub/door liner warranty.

1, 2, 10-Year Warranty Package:  
Full one-year warranty on entire dishwasher.  
Limited second-year water distribution parts warranty.

Full ten-year tub/door liner warranty.

1-10 Year Warranty Package:  
Full one-year warranty on entire dishwasher.  
Full ten-year tub/door liner warranty.

\*See written warranty for details.

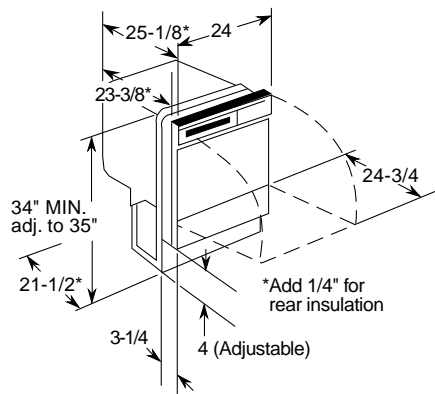


Listed by  
Underwriters  
Laboratories

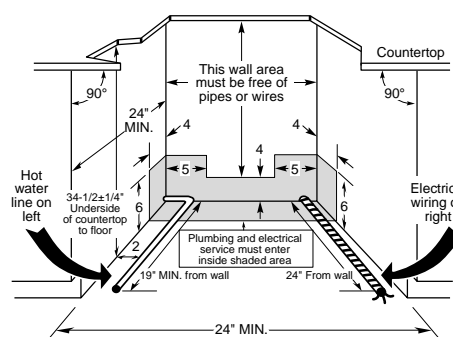
## Electrical Rating

Voltage AC.....120  
Hertz .....60  
Total connected load amperage .....8.6  
Calrod® heater watts .....500  
For use on adequately wired 120-volt,  
15-amp circuit having 2-wire service with a  
separate ground wire. This appliance must  
be grounded for safe operation.

## Built-In Dishwasher Dimensions (in inches)



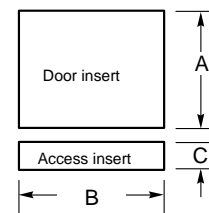
## Installation Information (in inches)



## Dishwasher Rough-In Information

**Note:** Dishwasher must not be installed more than 10 feet from sink for proper drainage.  
All plumbing and electrical work must be in accordance with local codes.

## Wood Insert Cut-Out Dimensions



Models/Kit	A	B	C
GE Models	19-1/8"	23-9/16"	3-11/16"
GPF40 Kit			

# Convertible/Portable Dishwashers

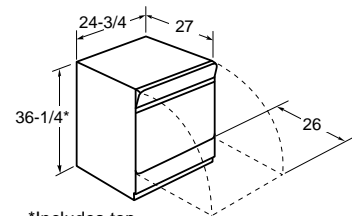
	GSC1200X	GSC900XBA	GSC720YWH/AD
<b>Quiet</b>			
Sound insulation package	Standard	Standard	Standard
PermaTuf™ tub and door liner	●	●	●
<b>Performance</b>			
Control type	Turn-To-Start	Turn-To-Start	Turn-To-Start
Cycles/Options	7/23	6/19	5/8
Self-clean filter system	●		
POTSCRUBBER Cycle	●	●	●
Normal Wash	●	●	●
Water Saver	●		
Light Wash	●	●	
Short Wash	Dial	Dial	Dial
Plate Warmer	Dial	Dial	Dial
Rinse Only/Hold	Dial	Dial	Dial
Heated Dry On/Off	●	Rocker	●
Temp Boost On/Off	●	●	
Energy Saver	●		
SmartWash System	●		
SmartWash Wash Arm	●		
Wash levels	3	3	3
Food disposer	●	●	●
<b>Flexibility</b>			
Upper	Super	Deluxe	Standard
Rack system Lower	Super Flat	Deluxe Flat	Deluxe Flat
Silverware basket	SmartBasket	Super	Deluxe
Utility Shelf(s)	2 Plastic		
<b>Convenience</b>			
Cycle progress indicators	Dial	Dial	Dial
QuickClean controls	●	●	
Touchpads/Pushbuttons	7 Pads	5 Pads	4 Pushbuttons
6-Hour Delay Start	Dial	Dial	
Rinse Aid dispenser	with Indicator	with Indicator	with Indicator
<b>General Features</b>			
120° F. inlet water capability	●	●	●
Door and access panels	B/H, A/W*	B/A*	A, W*
Door Trim	Black	Black	-
Side Color	White	Almond	White/Almond
Comes from factory with 1/4" wood insert capability	No	No	No
Order the GPF40 kit for 1/4" or 3/4" wood insert capability**	Yes	Yes	No
1, 2, 5, 20 Warranty†	●		
1, 2, 10 Warranty†		●	
1, 10 Warranty†			●
Amperage rating (120V/60 Hertz)	8.6	8.6	8.6
Approx. shipping wt (lbs.)	147	147	147

\*When converting to built-in installation, model GSC1200X has a reversible Black/Harvest, Almond/White door and access panels. Model GSC900XBA has reversible Black/Almond door and access panel. Model GSC720YWH/AD has either white or almond door and access panel. Model GSC720YWH/AD must be ordered as GSC720YWH with white panels or as GSC720YAD with almond panels.

\*\*See Use and Care Book for details.  
†See written warranty for details.

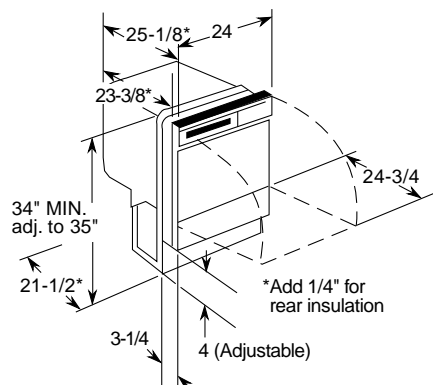
## Dimensions (in inches) GSC1200X, GSC900XBA and GSC720YWH/AD

### Portable



\*Includes top and wheels

### Built-In



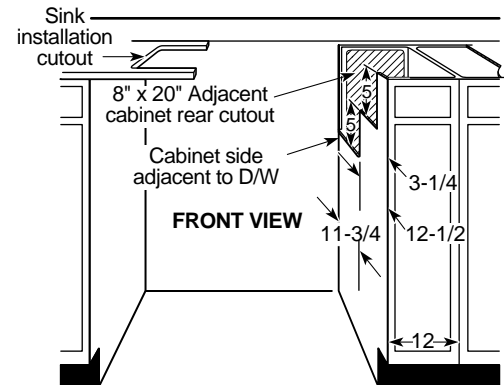
Conversion Kit to Build-In Convertible Dishwashers WD35X193 for Models GSC1200X, GSC900XBA and GSC720YWH/AD. Contains built-in dishwasher water valve, hardware and complete instructions for adapting a GE convertible dishwasher for under-the-counter installation.

# Spacemaker® Undersink Dishwasher

	GSM603XAW
<b>Performance</b>	
Control type	Turn-To-Start
Cycles/Options	5/8
POTSCRUBBER Cycle	●
Normal Wash	●
Short Wash	Dial
Plate Warmer	Dial
Rinse Only/Hold	Dial
Convection drying	●
Heated Dry On/Off	●
Horizontal mechanism	●
Wash levels	2
Food disposer	●
<b>Flexibility</b>	
Upper	Spacemaker®
Rack system Lower	Deluxe Flat
Silverware basket	Deluxe
<b>Convenience</b>	
Cycle progress indicators	Dial
Pushbuttons	4 PB
Easy-Glide roller system	●
Rinse Aid dispenser	●
<b>General Features</b>	
PermaTuf™ tub & door liner	●
Reversible door and access panels	Almond/White
Door trim	Black
Order this kit for 1/4" or 3/4" wood capability*	GPF40
Leveling screws	●
1, 2, 10-yr. warranty**	●
Amperage rating (120V/60Hz.)	8.6
Approx. shipping weight (lbs.)	72

\*Certificate enclosed in Use and Care Book for ordering information.  
\*\*See written warranty for details.

## Cabinet Cut-Out for Sink



Cabinet cut-outs for offset single and double bowl sinks. Dishwasher not provided with complete enclosure. Enclosures for sides, top, bottom and back must be provided by installer at time of installation.

# GE Consumer Service, We'll Be There!

Here are four reasons to choose GE Monogram™, GE Profile™, GE, Hotpoint and RCA Appliances:



## GE Appliance Service

### **800-GE-CARES**

*Expert Service When You Need It!*

- Call us 24 hours a day, every day of the year.
- Among the best one-call repair completion rates in the industry!
- Receive a 5-year warranty on parts when installed by GE.

## GE Answer Center®

### **800.626.2000**

*We Never Close!*

- Any hour of the day or night—even on weekends and holidays—the GE Answer Center® service is available to answer questions about GE Monogram™, GE Profile™, GE, Hotpoint, and RCA features and installations.
- You and your customers can call toll-free before, during and after the sale.



## GE Genuine Parts

### **800-626-2002**

*When You Want Parts To Fix It Yourself!*

- We offer a complete line of parts, accessories and appliance care products for GE appliances and most other major brands too!
- Fast, convenient delivery direct to you.

## GE Service Contracts

### **800-626-2224**

*When You Don't Want Repair Bills!*

- No repair bills. Ever!
- With GE Service Protection Plus™ you are protected from service repair costs for the term of your GE Service Contract.

*Before purchasing any appliance on which the Federal Trade Commission requires an energy label, read important energy cost and efficiency information available from your retailer.*

*GE has a policy of continuous improvement on its products and reserves the right to change materials and specifications without notice.*



**GE Appliances**

General Electric Company  
Louisville, Kentucky 40225



Listed by  
Underwriters Laboratories

Pub. No. 5-S006-1  
Printed in U.S.A.  
PG7359