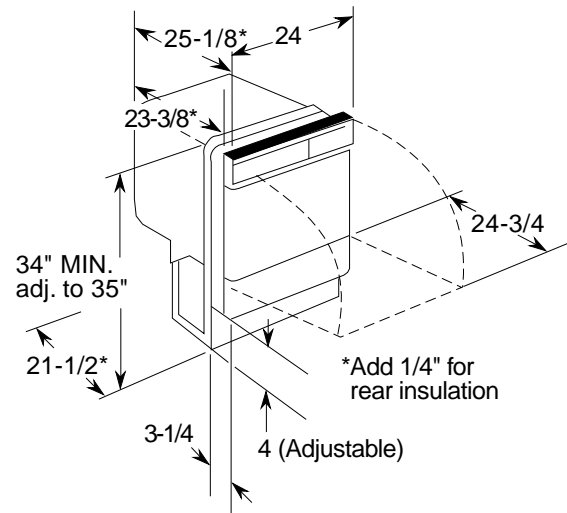




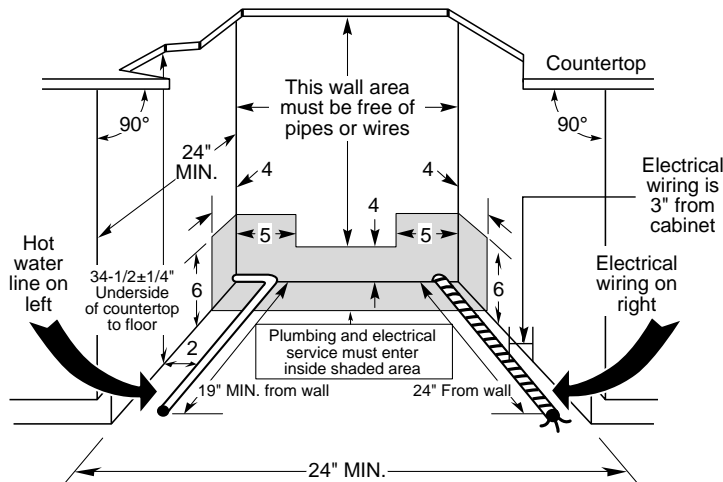
GE Appliances

GSD2020ZBB—Built-In Dishwasher

Dimensions (in inches)



Installation Information (in inches)

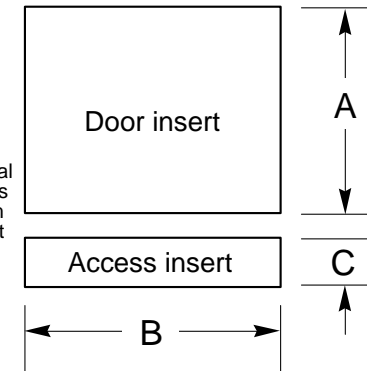


Note: Dishwasher must not be installed more than 10 feet from sink for proper drainage. All plumbing and electrical work must be in accordance with local codes.

Electrical Rating

Voltage AC.....120
 Hertz60
 Total connected load amperage.....8.6
 Calrod® heater watts.....500
 For use on adequately wired 120-volt, 15-amp circuit having 2-wire service with a separate ground wire. This appliance must be grounded for safe operation.

Wood Insert Cut-Out Dimensions (in inches)



Models/Kits	A	B	C	Panel Thickness
GE Models GPF325 Kit	18-7/8"	23-9/16"	3-11/16"	1/4"
GPF375 Kit	18-15/16"	23-5/8"*	4-1/4" to 3-3/4"***	3/4"

*Bottom of panel must be notched 1-1/2" x 1/2" to clear across panel

**Adjustment required to match adjacent cabinets fronts due to leveling leg adjustment, 4" nominal.

For answers to your Monogram®, GE Profile Performance Series™, GE Profile™, GE, Hotpoint and RCA appliance questions, call GE Answer Center® service, 800.626.2000.

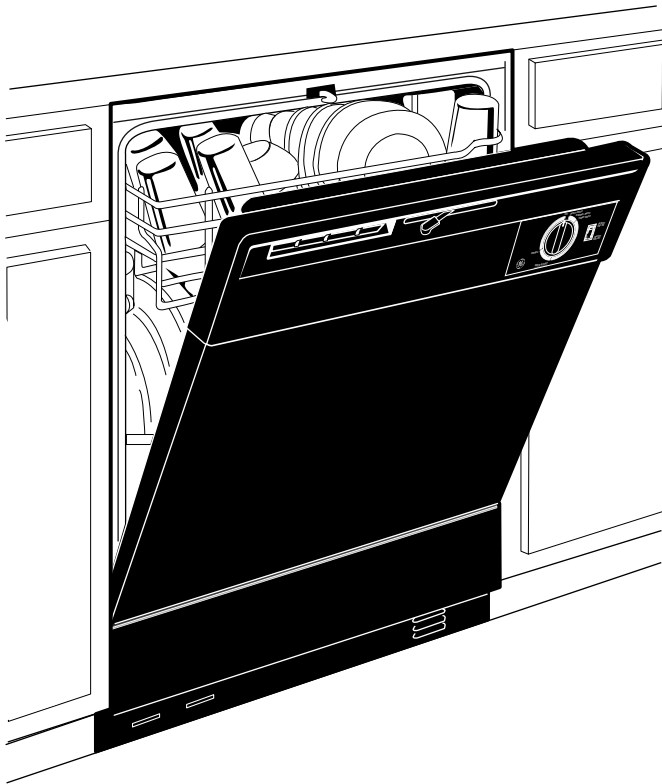


Listed by
Underwriters
Laboratories



GE Appliances

GSD2020ZBB—Built-In Dishwasher



Features and Benefits

- SureClean™ Wash System with 2 Wash Levels
- 4 Cycle Selections: Normal Wash (Dial), Short Wash (Dial), Heavy Wash (Dial) and Rinse Only/Hold (Dial)
- Heated Dry On/Off Option
- Standard Upper Rack
- Deluxe Lower Rack
- Deluxe Silverware Basket
- Standard Sound Insulation Package
- Trimless Appearance
- Model GSD2030ZWW—White on White
- Model GSD2020ZBB—Black on Black
- Model GSD2000ZWH—White
- Model GSD2000ZAD—Almond