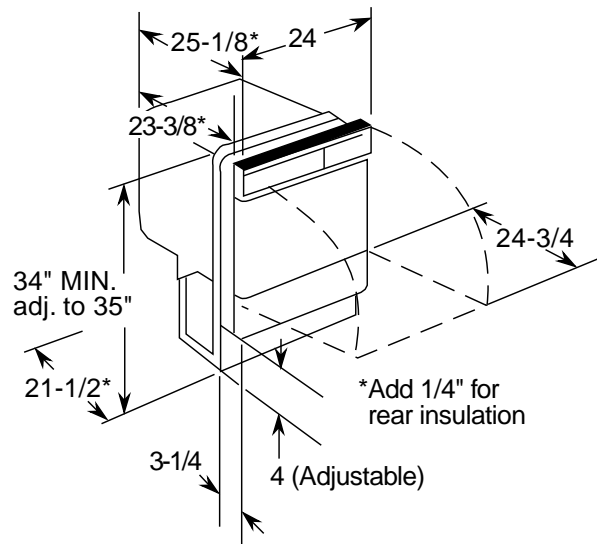




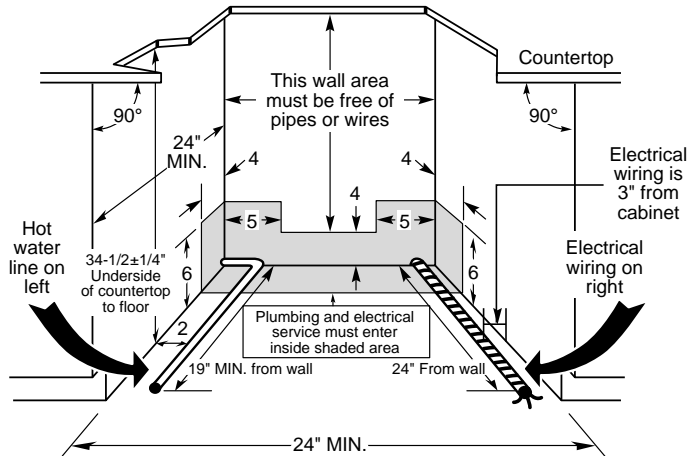
GE Appliances

## GSD2220ZBB—Built-In Potscrubber® Dishwasher

### Built-In Dishwasher Dimensions (in inches)



### Rough-In Installation Information (in inches)



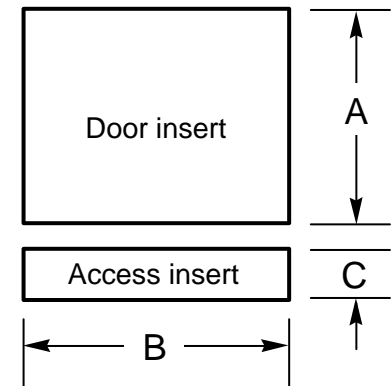
**Note:** Dishwasher must not be installed more than 10 feet from sink for proper drainage. All plumbing and electrical work must be in accordance with local codes.

### Electrical Rating

Voltage AC.....	120
Hertz .....	60
Total connected load amperage.....	8.6
Calrod® heater watts.....	500

For use on adequately wired 120-volt, 15-amp circuit having 2-wire service with a separate ground wire. This appliance must be grounded for safe operation.

### Wood Insert Cut-Out Dimensions (in inches)



Models/Kits	A	B	C	Panel Thickness
GE Models GPF325 Kit	18-7/8"	23-9/16"	3-11/16"	1/4"
GPF375 Kit	18-15/16"	23-5/8"*	3-3/4"***	3/4"

\*Bottom of panel must be notched 1-1/2" x 1/2" to clear across panel

\*\*Adjustment required to match adjacent cabinets fronts due to leveling leg adjustment, 4" nominal.

For answers to your Monogram®, GE Profile Performance Series™, GE Profile™, GE, Hotpoint and RCA appliance questions, call GE Answer Center® service, 800.626.2000.

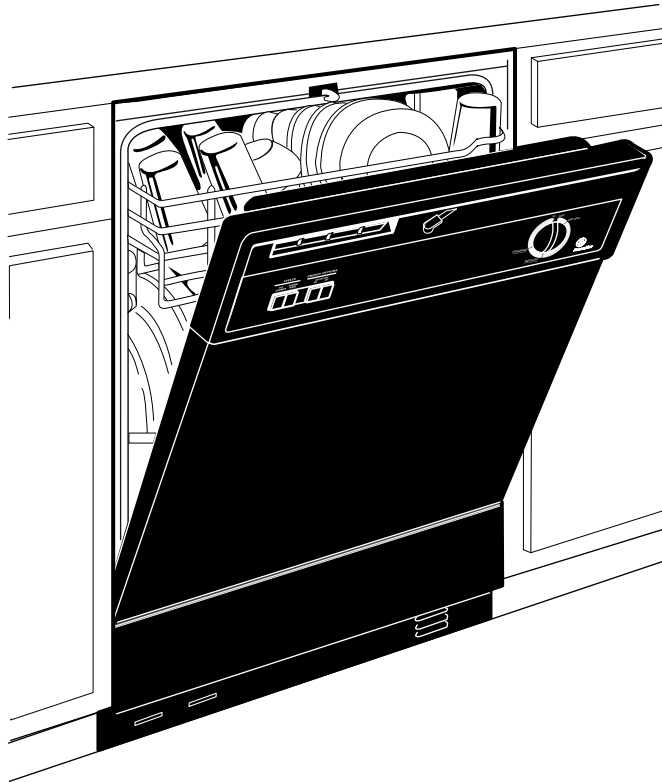


Listed by  
Underwriters  
Laboratories



GE Appliances

## GSD2220ZBB—Built-In Potscrubber® Dishwasher



### Features and Benefits

- SureClean™ Wash System
- 5 Cycles Selections: POTSCRUBBER, Normal Wash, Short Wash (Dial), Plate Warmer (Dial) and Rinse Only/Hold (Dial)
- Heated Dry On/Off Option
- Standard Upper Rack
- Deluxe Lower Rack
- Deluxe Silverware Basket
- Standard Sound Insulation Package
- Trimless Appearance
- Model GSD2230ZWW—White on White
- Model GSD2220ZBB—Black on Black
- Model GSD2200ZWH—White
- Model GSD2200ZAD—Almond