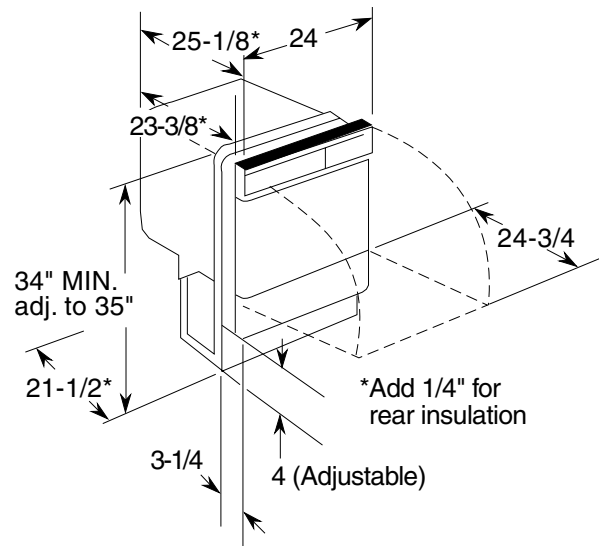




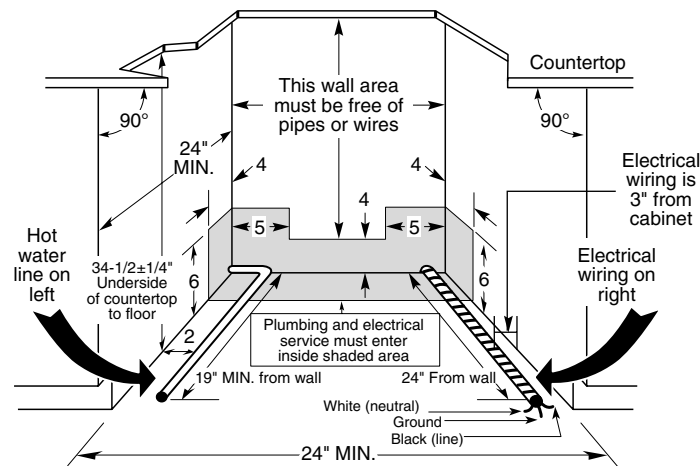
GE Appliances

GSD3415FAA—GE Nautilus™ Built-In Dishwasher

Built-In Dishwasher Dimensions (in inches)



Rough-In Installation Information (in inches)

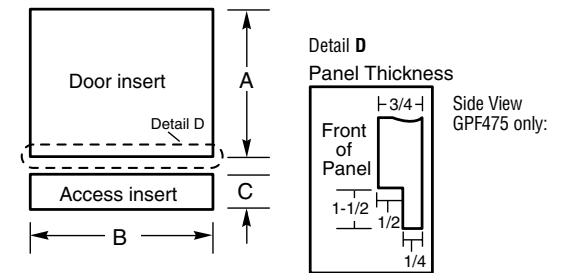


Note: Dishwasher must not be installed more than 10 feet from sink for proper drainage. All plumbing and electrical work must be in accordance with local codes.

Electrical Rating

Voltage AC.....120
 Hertz60
 Total connected load amperage.....8.6
 Calrod® heater watts.....500
 For use on adequately wired 120-volt, 15-amp circuit having 2-wire service with a separate ground wire. This appliance must be grounded for safe operation.

Wood Insert Cut-Out Dimensions (in inches)



Models/Kit	A	B	C	D – Panel Thickness
GPF425 Kit	19-3/4"	23-9/16"	3-11/16"	1/4"
GPF475 Kit	19-7/8"	23-5/8**	4-1/4" to 3-11/16**	3/4"

*Bottom of panel must be notched 1-1/2" x 1/2" to clear access panel. (See illustration above)

**Adjustment required to match adjacent cabinet fronts due to leveling adjustment, 4" nominal.

Specification Created 2/00



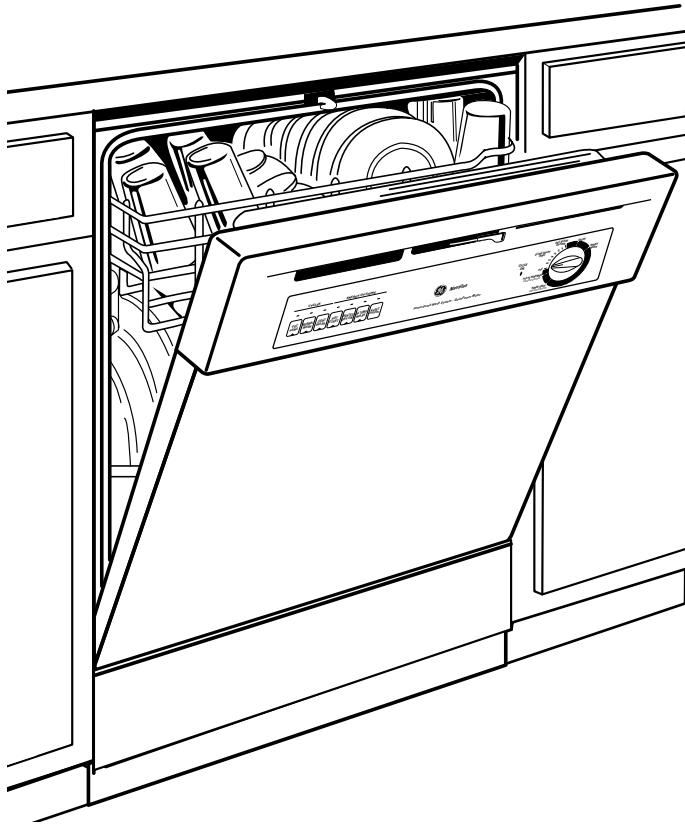
Listed by
Underwriters
Laboratories

For answers to your Monogram®, GE Profile Performance Series™, GE Profile™ or GE appliance questions, call GE Answer Center® service, 800.626.2000.



GE Appliances

GSD3415FAA—GE Nautilus™ Built-In Dishwasher



Features and Benefits

- PowerScrub™ Wash System
- Dual Filtration System
- Piranha™ Hard Food Disposer
- 6 Cycle / 31 Option Selections: Pots & Pans, Normal Wash, Light Wash, Short Wash (Dial), Plate Warmer (Dial) and Rinse Only (Dial)
- Hi-Temp Wash
- Heated Dry On/Off Option
- HotStart™ Option
- Delay Start (1 - 6 Hour)
- Deluxe Upper Rack
- Deluxe Lower Rack
- Deluxe Silverware Basket
- Rinse Aid Dispenser
- TouchTap™ Control Type
- PermaTuf™ Tub and Door Liner
- QuietPower™ Motor
- QuietDesign™ Sound Insulation Package
- Trimless Appearance
- GSD3435FWW - White on white
- GSD3425FBB - Black on black
- GSD3415FAA - Almond on almond