

VOLUME 1 • 2000

GE Home Products And Services



America's #1 Preferred Appliance Brand



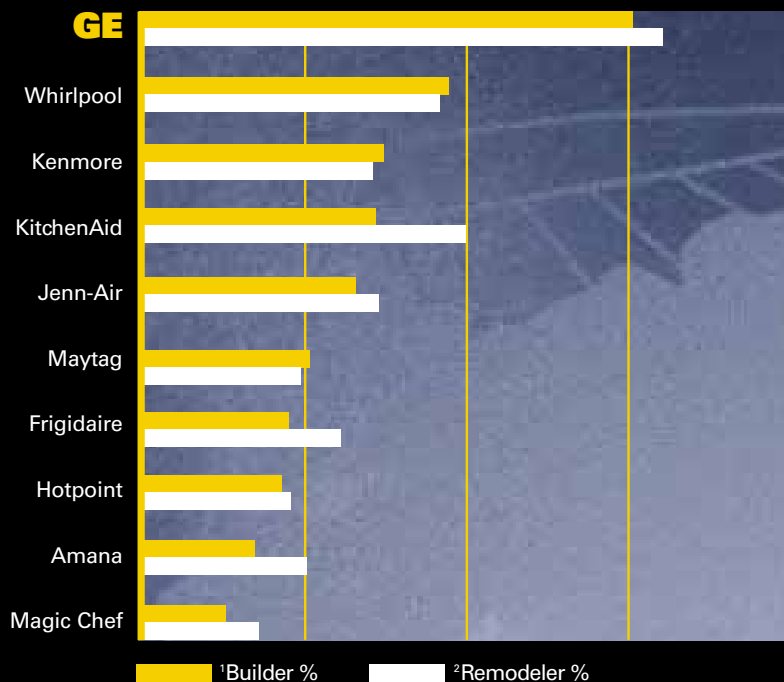
We bring good things to life.



Thank you for making us number one. Again.

For five years in a row, GE appliances have been the first choice of builders and remodelers.

“Current Usage Within Past 12 Months”



It's unanimous! GE is the top brand with consumers, too! According to the most recent* Louis Harris Poll, GE is the appliance brand most often mentioned among the brands rated as offering the best products and services in America.

*Louis Harris Poll, 1999

¹ Professional Builder, 1999 Brand Study; weighted average of dishwashers, ranges/ovens, refrigerators/freezers, washers and dryers.
² Professional Remodeler, 1999 Brand Study; weighted average of dishwashers, ranges/ovens, refrigerators/freezers, (washers and dryers not asked).

six sigma

Making the Difference.

Six Sigma: It's the way we work

With quality first, Six Sigma is GE's company-wide, disciplined approach to quality. Using scientific statistical methodology, GE is advancing toward the virtual elimination of defects (fewer than 3.4 defects per million opportunities) from every product and process.

Table of Contents

Product	Page	Specifications/Installation
Refrigerators		
CustomStyle™ Refrigerators	8-19.....	154-159
Contoured Door Refrigerators	20-21.....	160
Side-by-Side Refrigerators	22-26.....	160-161
Bottom-Freezer Refrigerators.....	27.....	162
Top-Freezer No-Frost Refrigerators.....	28-31.....	163-165
Cycle and Manual Defrost Refrigerators.....	32.....	166
Compact Refrigerators.....	33.....	166
Freezers.....	34-35.....	167
Refrigeration Trim Kits		168
Built-In Cooking Products		
Advantium™ Ovens.....	36-41.....	169
Wall Ovens.....	42-56.....	170-178
Warming Drawers	57.....	179
Cooktops.....	58-67.....	180-187
Slide-In/Drop-In Ranges	68-73.....	188-192
Free-Standing Cooking Products		
Electric Ranges	74-85.....	192-195
40" Electric Ranges	85.....	195
Gas Ranges.....	86-93.....	196-198
Ventilation Options	94-95.....	199-201
Microwave Ovens		
Over-The-Range	96-97, 99-101.....	202-203
Wall Ovens.....	98.....	204
Countertop.....	102-106.....	205-206
Spacemaker II™	107.....	206
Countertop Microwave Oven Built-In Trim Kits.....	107.....	207
Dishwashers		
GE Triton™ Dishwashers.....	108-111.....	208
Built-In	112-113.....	209
Convertible.....	113.....	210
Spacemaker® Undersink and Built-In.....	114.....	210-211
Disposers and Compactors.....	115.....	212
Clothes Care		
Washers and Dryers	116-123.....	213-215
Front Loading Washer & Dryer.....	124-125.....	216
Dryer Exhausting and Installation Information.....		217-219
Spacemaker® Washers & Dryers	125-126.....	220-221
Commercial Washers & Dryers.....	127.....	
Water Systems		
Filtration Systems	128-136.....	222-223
Softening Systems.....	137-139.....	224
Air Conditioning		
"J" Series Built-Ins.....	140-143.....	226-227
Zoneline®	144-145.....	228-230
GE Profile™, Deluxe, Value and Heat/Cool.....	146-147.....	225
Quiet-Aire™ -Split System.....	148.....	228
Slide-Aire	148.....	225
Dehumidifiers.....	148.....	230
Warranty Information	150-153.....	
Nomenclatures	231-235.....	

On the cover:

Cabinetry: "Huntington Maple/Cypress finish" from Kraftmaid Cabinetry, Middlefield, Ohio (440) 632-5333, www.Kraftmaid.com
 Laminate Flooring: Plain Tree Maple from Wilsonart International, Inc., Temple, Texas (800) 433-3222
 Sink: 30" Gilford Kitchen sink shown with antique wall-mount faucet from Kohler. Call 1-800-4-KOHLER for more information

Buildwithge.com. Our way of serving you better.

We at GE are committed to using all the latest technology to do what we do best—satisfying the needs of our customers.

CustomerNet 2.0

www.gecustomernet.com

A complete online ordering and marketing system that interfaces with GE to serve our customers better.



ImproveNet www.improvenet.com

The largest website devoted to home remodeling and improvement. Links homeowners who want to remodel with qualified professional architects, designers and contractors.



BuildNet www.buildnet.com

The building industry's first business-to-business E-commerce-based solution. Conduct daily business activities through the Internet with seamless connections from builders to suppliers and distributors.



GE Website—16 Million Hits a Year!

www.geappliances.com

Now it's easier than ever to select GE products by brand, category, or model number, find out "what's new," obtain dimensions or installation tips and more. You can even use CustomerNet to place an order or check on the status. It's all just a few clicks away!



GE Builder.com www.gebuilder.com

Builder Name: builder

Password: demo

An interactive website customized for the builder to provide a better buying experience for the new home buyer.



People-friendly communication technology.

Information you want—when and how you want it.



GE Answer Center® 800.626.2000
This 24-hour-a-day, seven-day-a-week answer center handles three million callers annually.

- Sales referrals
- Post-purchase questions
- After-sale use and care tips, service information and do-it-yourself help

Or visit www.geappliances.com



GE QuickSpecs 800.432.3729
This automated fax-on-demand system provides GE installation dimensions, product illustrations and features.

- Available 24 hours a day, seven days a week
- Automated touchtone activated



GE Sales Professionals and Authorized Distributors
Whether you're dealing with a GE Sales Manager or a GE Authorized Distributor, you have an excellent resource—a professional dedicated to making your job easier. Authorized Distributors can provide local support and assistance, including a broad range of custom services.



GE Appliance Service
1-800-GE-CARES

- Largest manufacturer-owned and -authorized service organization in the appliance industry
- Broad selection of service plans, backed by GE



GE Distribution—Delivery you can count on

- Advanced tracking system manages product availability, distribution and delivery
- Full-line distribution centers ship to customers, Authorized Builder Distributors, and to more than 100 Scheduled Delivery Service sites

Faster. Bigger. Quieter.

Here are just three exciting new product innovations introduced by GE in 1999.

Grand Award Winner of
Popular Science's 1999
"Best of What's New"

Named one of the "Best
New Products of 1999"
by *Business Week*

Winner of the KBB Product
Innovator Awards Program

Winner of *Design Journal's*
1999 "Best of Show"

Winner of *Design Journal's*
1999 Award for Design
Excellence (ADEX)

Recipient of the "Gadget
Guru Products Award"



The Award-Winning Advantium™ Oven

GE's revolutionary new oven with Speedcook technology delivers great-tasting food in an average of one-fourth the time of conventional ovens, with no preheating. Cooking at the speed of life.™



GE Spectra™ Range

Want to cook big? This new range is the largest,* most accurate oven in America. The Spectra cooktop turns high technology into truly time-saving features, with lots of innovative ways to prepare great food—just the way you like to cook. *Among leading manufacturers' brands.



GE Triton™ Dishwasher

Only GE has three wash arms for improved coverage. Virtually every spot on every dish receives a powerful spray. Eliminate recirculating food particles with 100% Triple Water Filtration and dual pumps. Better insulation and a sound package make this Triton "the cleanest wash you never heard."™

New for 2000!

Better ideas for better living.



New GE Clothes Care System

Now you can get the kind of care you want—right at home! Our revolutionary washer and dryer system is designed so you can specifically care for a variety of fabrics. From a heavy cotton sweatshirt to delicate lingerie, your clothes can maintain their color, look and feel—wash after wash.



New Contoured Door Refrigerators

GE is ahead of the curve. New contoured doors are gently rounded and have a smooth, high-gloss finish for a clean, sleek look.

For the design-conscious consumer, we're offering a new bisque color as well as sleek stainless steel for lasting beauty.

The popular new bisque color coordinates beautifully with natural tones and materials in today's most exciting kitchens. And stainless steel is a bright new look that's getting a lot of attention from design-conscious consumers. Both are refreshing changes for those who want more than standard appliances in their brand new kitchens.



With CustomStyle™ refrigerators,
the only thing that will stand out is your kitchen.



These sleek CustomStyle™ refrigerators look like custom built-in units because they install nearly flush with kitchen cabinets. This saves floor space! Save nearly 7" with side-by-side models and nearly 5" with top-freezer models. There are two style options to choose from: Trimless or Installed Trim. Trimless models simply slide in, there's nothing to attach or build. Installed trim models can be decorated with custom wood panels to match the cabinets, or with black, white, stainless steel or bisque panels available from GE. Our exclusive, new for 2000, CustomStyle refrigerators are loaded with fresh ideas inside and out. GE delivers the design consumers expect and the distinctive style they want.



Air Conditioning

Water Systems

Clothes Care

Dishwashers

Microwave Ovens

Cooking Products

CustomStyle™
Refrigerators

Only GE offers CustomStyle™ Refrigerators, and they're available in Side-By-Side and Top-Freezer models



A GE CustomStyle side-by-side refrigerator is the perfect solution for today's open-living kitchen designs.

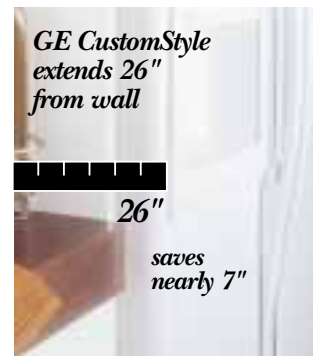


GE's CustomStyle top-freezer refrigerator looks built-in on the outside, has more accessibility than any other free-standing top-freezer.

This is the kind of innovation you can expect from America's #1 Manufacturer of Refrigerators

GE redesigned these refrigerators from the inside out. The goal was to offer consumers a stylish refrigerator that wouldn't take up as much floor space and at the same time, offer full-capacity storage. We did it! As a result, we are offering a special category of refrigerators: CustomStyle. This line is now available in a full color selection, as well as with your own custom panel options.

Side-By-Side Refrigerators



Top-Freezer Refrigerators



"Because they install nearly flush with the cabinets, these refrigerators save floor space. They don't stick out into the kitchen!"

Not all features available on all models. For additional features, specifications and color availability, refer to pages 154 and 158.

GE Profile Performance Series™ CustomStyle™ Stainless steel models

GE has kept pace with America's growing appetite for stainless steel appliances with CustomStyle refrigerators in the prestigious GE Profile Performance Series.™ With these models, no trim or slide-in panels are required. The result is a finely crafted, sleek, clean CustomStyle appearance. Lately, more and more design-conscious homeowners are discovering that incorporating stainless steel into their kitchen decor doesn't have to be an "all or nothing" decision. GE's Profile Performance stainless steel refrigerators can be "mixed" with either black or white appliances. The effect is stunning. It's amazing how one major appliance can literally upgrade an entire kitchen. As for cabinetry, stainless steel compliments natural wood tones; and it also looks sensational with both traditional and designer colors. Our stainless steel models feature sleek black handles and dispenser.



GE Profile Performance Series™
Side-By-Side Trimless Stainless Steel Model
TPS24BPD

- Exclusive Water by Culligan™ NSF Certified • Squared doors



GE Profile Performance Series™
Top-Freezer Trimless Stainless Steel Model
TNS22PRC

- LightTouch! dispenser delivers cubes, crushed ice and chilled water • Rounded doors

Cooking Products

Microwave Ovens

Dishwashers

Clothes Care

Water Systems

Air Conditioning

Not all features available on all models.
For additional features, specifications and color availability, refer to pages 154 and 158.

CustomStyle™ Side-By-Side Refrigerators: Choose a trimless or installed trim model



GE Profile Performance Series™
Trimless Model
TPX24PPDCC

NEW COLOR!



GE Profile™
Installed Trim Model
TPX24BRDWW
shown with a custom wood panel and optional collar trim TRMBISWW.

Trimless models:

Installation made easy, simply slide in.

The trimless CustomStyle units install by simply sliding into—way into—the space between cabinets. Because they align with counters, CustomStyle refrigerators instantly look built-in. And there's nothing to attach or custom build. Available in stainless steel, white, bisque, almond and black.

Trimless models shown on pages 16, 17 and 18.

Installed trim models:

Another way to customize.

Whether you're building a brand new kitchen or planning for a renovation, GE opens a world of design possibilities. CustomStyle refrigerators accept a variety of door panels: stainless steel, as well as acrylic panels in white, bisque, almond or black.

The choices are simple.

CustomStyle™ Side-By-Side trim and panel options

Installed Trim Models

Optional door panels: another way to customize.

When you choose GE CustomStyle refrigerators with installed trim, the choices of design are practically endless. Order stainless steel panels or acrylic panels in white, black, almond or bisque from GE, or make and install your own custom wood panels to accent the cabinetry in your kitchen.

Optional collar trim: available for all models listed below.

The optional collar trim is just another way GE lets you integrate our CustomStyle refrigerators into your kitchen decor. Available in white, black, almond, bisque and stainless steel, this trim frames the refrigerator facade, adding to the finished look of a built-in, custom kitchen. Collar trim: TRMBISWW, TRMBISBB, TRMBISAA, TRMBISSS, TRMBISCC.

Panels available:

Model TPX24BRD is available with white, black, almond, stainless steel or your own custom wood panel options.

Models TPX24BPD, TPX24BID and TPX21BRD are available with white, black, stainless steel or your own custom wood panel options.

Model TPX24BPD is available with bisque panel options.

Dispenser Models



TPX24BPDBB
Shown with optional black acrylic panels. Water by Culligan™ LightTouch! dispenser.



TPX24BPDBB
Shown with custom wood panels. Water by Culligan™ LightTouch! dispenser.



TPX24BRDWW
Shown with optional white acrylic panels. LightTouch! dispenser.



TPX24BRDAA
Shown with custom wood panels. LightTouch! dispenser.



TPX24BPDCC
Shown with optional bisque acrylic panels. Water by Culligan™ LightTouch! dispenser.

Non-Dispenser Models



TPX21BRDBB
Shown with custom wood panels. LightTouch! dispenser.



TPX21BRDWW
Shown with optional white acrylic panels. LightTouch! dispenser.



TPX24BIDBB
Shown with optional black acrylic panels. Non-dispenser.



TPX24BIDWW
Shown with optional white acrylic panels. Non-dispenser.

For additional features, specifications and color availability, refer to page 154.

The only CustomStyle™ Top-Freezer Refrigerator: Choose a trimless or installed trim model

This is the first top-freezer refrigerator designed to align with countertops and not stick out or take up valuable floor space, evoking the “premium impression” of a custom built-in kitchen. Best of all, it has full-capacity storage and saves nearly 5" of floor space.



GE Profile Performance Series™
Trimless Model
TNX22PRCWW

Trimless models: Installation made easy, simply slide in.

The trimless CustomStyle units install by simply sliding into—way into—the space between cabinets. Because they align with counters, CustomStyle refrigerators instantly look built-in. And there’s nothing to attach or custom build. Available in stainless steel, white, bisque, almond and black.

Trimless models shown on page 19.



GE Profile Performance Series™
Installed Trim Model
TNX22BACBB shown with custom wood panels.

Installed trim models: Another way to customize.

Whether you’re building a brand new kitchen or planning for a renovation, GE opens a world of design possibilities. CustomStyle refrigerators accept a variety of door panels: acrylic white or black and stainless steel panels. The choices are simple.

CustomStyle™ Top-Freezer trim and panel options

Installed Trim Models

Optional door panels: another way to customize.

When you choose GE CustomStyle refrigerators with installed trim, the choices of design are practically endless. Order stainless steel panels or acrylic panels in white or black from GE, or make and install your own custom wood panels to accent the cabinetry in your kitchen.

Optional collar trim: available for all models listed below.

The optional collar trim is just another way GE lets you integrate our CustomStyle refrigerators into your kitchen decor. Available in white, black and stainless steel, this trim frames the refrigerator facade, adding to the finished look of a built-in, custom kitchen. Collar trim: TRMBISWW, TRMBISBB, TRMBISS.

Panels available:

Models TNX22BRC and TNX22BAC are available with white, black, stainless steel or your own custom wood panel options. Model TNS22BRC is only available with stainless steel panels.

Dispenser Models



TNX22BRCWW
Shown with optional white acrylic panels. LightTouch! dispenser.



TNX22BRCBB
Shown with optional stainless steel panels. LightTouch! dispenser.



TNX22BRCBB
Shown with custom wood panels. LightTouch! dispenser.



TNS22BRCBS
Shown with installed stainless steel panels. LightTouch! dispenser.

Non-Dispenser Models



TNX22BACBB
Shown with optional black acrylic panels. Non-dispenser.



TNX22BACBB
Shown with optional stainless steel panels. Non-dispenser.



TNX22BACBB
Shown with custom wood panels. Non-dispenser.

Not all features available on all models. For additional features, specifications and color availability, refer to page 158.

Side-By-Side CustomStyle™ Models: 24 cu. ft.

These models include • Quiet Package II • QuickSpace™ shelf • ClearLook™ adjustable door bins • Gallon door storage • Two slide-out, spill-proof glass shelves • Wire Everwhite slide-out freezer baskets • Freshness Center™ • Beverage rack • Improved fresh food interior lighting

Note: bold = feature upgrade from previous model



ShelfSaver™ provides a new space for odd shapes and sizes.



Freshness Center™ offers maximum storage flexibility with adjustable humidity controls and temperature controls to keep foods fresh longer.



Water by Culligan™ provides cleaner, better-tasting water and ice instantly from your LightTouch! dispenser.



Improved fresh food interior lighting is now over 25% brighter for improved visibility.



GE Profile Performance Series™

Trimless Stainless Steel Dispenser Model

TPS24PBD

- 23.7 cu. ft. capacity • **Stainless steel model** with trimless rounded doors, black handles and black dispenser • Exclusive Water by Culligan™ NSF Certified • LightTouch! dispenser • Electronic Monitor and Diagnostic System • ShelfSaver™ • Refreshment Center • Premium Deluxe black handles and black dispenser

GE Profile Performance Series™

Trimless Dispenser Models

TPX24PBD

- 23.7 cu. ft. capacity • Exclusive Water by Culligan™ NSF Certified • LightTouch! dispenser • ShelfSaver™ • **Electronic Monitor and Diagnostic System** • Refreshment Center • Rounded doors • Premium Deluxe handles • New Bisque color available

TPX24PPD (not shown)

- Exclusive Water by Culligan™ NSF Certified • LightTouch! dispenser • ShelfSaver™ • Premium Deluxe handles • New Bisque color available

TPS24PPD (not shown)

- Stainless steel model with trimless rounded doors, black handles and black dispenser



System Tested and Certified by NSF International against ANSI/NSF Standards 42 & 53 for:

Standard No. 42 Aesthetic Effects:	Standard No. 53 Health Effects:
Chemical Unit	Chemical Reduction Unit
Taste and Odor Reduction	Lead Reduction
Chlorine Reduction, Class I	Mechanical Filtration Unit
Mechanical Filtration Unit	Turbidity Reduction
Particulate Reduction, Class I	Cyst Reduction

YOUR WATER BY CULLIGAN™ REPLACEMENT FILTER (FXRC1) can be ordered through the GE Answer Center® (1-800-626-2000), Customer Service Parts Center (1-800-626-2002) or through your Authorized GE Dealer.

WATER FILTER WARRANTY:
Limited 30 days parts only warranty.

WATER BY CULLIGAN™ MODELS ONLY



GE Profile Performance Series™

Trimless Stainless Steel Dispenser Model

TPS24BPD

- 23.7 cu. ft. capacity • Exclusive Water by Culligan™ NSF Certified • LightTouch! dispenser • ShelfSaver™
- **Factory-installed stainless steel trimless squared doors and handles** • Full-length handles with stainless steel appearance

Installed Trim Dispenser Model

TPX24BPD (not shown)

- **Exclusive Water by Culligan™** NSF Certified • LightTouch! dispenser • **ShelfSaver™** • Optional panels available
- Full-length color-matched handles • New Bisque color available



GE Profile™

Trimless Models

TPX24PRD Dispenser Model

- 23.7 cu. ft. capacity • **LightTouch! dispenser**
- Rounded doors • Premium Deluxe handles



GE Profile™

Installed Trim Models

TPX24BRD Dispenser Model

- 23.7 cu. ft. capacity • **LightTouch! dispenser** • Optional panels available • Full-length color-matched handles

TPX24BID Non-Dispenser Model (not shown)

- Equipped with factory-installed Nice Cubes™ icemaker
- Optional panels available • Full-length color-matched handles

Trimless Model

TPS24BID Non-Dispenser Stainless Steel Model (not shown)

- **Factory-installed stainless steel trimless squared doors and handles**

Not all features available on all models.
For additional features, specifications and color availability, refer to page 154.

Side-By-Side CustomStyle™ Models: 21 cu. ft.

- These models include** • LightTouch! dispenser • QuickSpace™ shelf • ClearLook™ adjustable door bins • Gallon door storage
- Two slide-out, spill-proof glass shelves • Wire Everwhite slide-out freezer baskets • Freshness Center™ • Beverage rack
 - Improved fresh food interior lighting
- Note: bold = feature upgrade from previous model**



QuickSpace™ Shelf slides back for storage of tall containers.



Freshness Center™ offers maximum storage flexibility with adjustable humidity controls and temperature controls to keep foods fresher longer.



Slide-Out Freezer Baskets allow for quick and easy loading and unloading.



Beverage Rack offers flexible tall bottle storage.



GE Profile™

Installed Trim Dispenser Model

TPX21BRD

- 21.0 cu. ft. capacity • **Optional panels available** • Full-length color-matched handles



GE Profile™

Trimless Dispenser Model

TPX21PRD

- 21.0 cu. ft. capacity • Premium Deluxe handles

Not all features available on all models.

For additional features, specifications and color availability, refer to page 154.

Top-Freezer CustomStyle™ Models: 22 cu. ft.

These models include • Beverage Rack • Adjustable spill-proof glass shelves • Adjustable humidity vegetable/fruit crispers • ClearLook™ adjustable door bins • Gallon door storage • Dual up-front temperature control (back-lit) • QuickSpace™ shelf • Slide-out, spill-proof crisper cover • Quick Store™ bin • Adjustable temperature meat pan • Adjustable dairy compartment

Note: bold = feature upgrade from previous model



Slide-Out, Spill-Proof Crisper Cover pulls out for easy access and quick cleanup.



QuickSpace™ Shelf slides back to store tall items.



ClearLook™ Adjustable Door Bins store gallon containers with ease.



LightTouch! Dispenser delivers cubes, crushed ice and chilled water.



GE Profile Performance Series™

Trimless Models

TNX22PRC Dispenser Model

• 21.7 cu. ft. capacity • LightTouch! dispenser delivers cubes, crushed ice and chilled water • Rounded doors • Color-matched Premium Deluxe handles • New Bisque color available

TNS22PRC Dispenser Stainless Steel Model (not shown)

• LightTouch! dispenser delivers cubes, crushed ice and chilled water • Stainless steel trimless rounded doors • Premium Deluxe black handles

TNX22PAC Non-Dispenser Model (not shown)

• 21.9 cu. ft. capacity • Equipped for optional automatic icemaker • New Bisque color available



GE Profile Performance Series™

Installed Trim Models

TNS22BRC Dispenser Stainless Steel Model

• 21.7 cu. ft. capacity • Factory-installed stainless steel panels, trim and full-length handles

TNX22BRC Dispenser Model (not shown)

• LightTouch! dispenser delivers cubes, crushed ice and chilled water

TNX22BAC Non-Dispenser Model (not shown)

• 21.9 cu. ft. capacity • Equipped for optional automatic icemaker • Rounded doors • Factory-installed trim with optional panels and full-length color-matched handles

Cooking Products

Microwave Ovens

Dishwashers

Clothes Care

Water Systems

Air Conditioning

GE's design is ahead of the curve



New contoured doors are gently rounded and have a smooth, high-gloss finish for a high-fashion look. From this fresh, new contoured door, to the fresh, new ideas on the inside, GE's year 2000 side-by-side refrigerators are designed and loaded with features that keep America's number one brand ahead of the curve.



A high-gloss finish accentuates the smooth texture for a sophisticated look and feel.

Contoured Door Side-By-Side Models: 26 cu. ft.

These models include • Quiet Package II • QuickSpace™ shelf • ClearLook™ adjustable door bins • Gallon door storage • Two slide-out, spill-proof glass shelves • Wire Everwhite slide-out freezer baskets • Freshness Center™ • ShelfSaver™ • Improved fresh food interior lighting **Note: bold = feature upgrade from previous model**



The full-length SoftTouch handle has a comfortable grip and luxurious feel.



ShelfSaver™ provides a new space for odd shapes and sizes.



Improved fresh food interior lighting is now over 25% brighter for improved visibility.



Freshness Center™ offers maximum storage flexibility with adjustable Humidity Controls and Temperature Controls to keep foods fresher longer.



GE Profile Performance™

Dispenser Model

TFB26SPD

- 25.6 cu. ft. capacity • **Stainless steel** model with contoured doors, black handles and black dispenser • Exclusive Water by Culligan™ NSF Certified • LightTouch! dispenser



GE Profile Performance™

Dispenser Model

TFB26PPD

- 25.6 cu. ft. capacity • Contoured doors with high-gloss finish • Exclusive Water by Culligan™ NSF Certified • LightTouch! dispenser • Also available in White on white and Bisque

Cooking Products

Microwave Ovens

Dishwashers

Clothes Care

Water Systems

Air Conditioning

For additional features, specifications and color availability, refer to page 160.

Side-by-Side Models: 30 to 28 cu. ft.

These models include • Quiet Package II • LightTouch! dispenser • QuickSpace™ shelf • Two slide-out, spill-proof glass shelves • ClearLook™ adjustable door bins • Wire Everwhite slide-out freezer baskets • ShelfSaver™ • Freshness Center™ • Beverage rack • Premium Deluxe handles • Improved fresh food interior lighting

Note: bold = feature upgrade from previous model



ShelfSaver™ provides a new space for odd shapes and sizes.



Water by Culligan™ provides cleaner, better-tasting water and ice instantly from your LightTouch! dispenser.



Refreshment Center provides easy access to frequently used items.



Freshness Center™ offers maximum storage flexibility with adjustable humidity controls and temperature controls to keep foods fresher longer.



GE Profile Performance Series™

Dispenser Model

TFX30PBD

- 30.0 cu. ft. capacity • Exclusive Water by Culligan™ NSF Certified
- **Electronic Monitor and Diagnostic System • Refreshment Center**
- 4 ClearLook™ door bins with gallon storage (1 adjustable) • Rounded doors
- Slide-out cantilevered freezer basket
- New Bisque color available



GE Profile Performance Series™

Dispenser Models

TFX30PPD

- **30.0 cu. ft. capacity** • Exclusive Water by Culligan™ NSF Certified • 4 ClearLook™ door bins with gallon storage (3 adjustable) • Rounded doors
- Slide-out cantilevered freezer basket
- New Bisque color available

TFS28PPD (not shown)

- 28.4 cu. ft. capacity • Stainless steel model with trimless rounded doors • 4 ClearLook™ door bins **with gallon storage (2 adjustable)**



GE Profile Performance Series™

Dispenser Models

TFS28PBD

- 28.4 cu. ft. capacity • **Stainless steel model with trimless rounded doors** • Exclusive Water by Culligan™ NSF Certified • Electronic Monitor and Diagnostic System • Refreshment Center • 4 ClearLook™ door bins with gallon storage (1 adjustable)

TFX28PBD (not shown)

- White on white, Black on black or Almond on almond model • New Bisque color available

Not all features available on all models. For additional features, specifications and color availability, refer to page 160.

Side-by-Side Models: 28 to 22 cu. ft.

These models include • LightTouch! dispenser • QuickSpace™ shelf • Two slide-out, spill-proof glass shelves • ClearLook™ adjustable door bins • Wire Everwhite slide-out freezer baskets • Freshness Center™ • Beverage rack • Premium Deluxe handles • Improved fresh food interior lighting **Note: bold = feature upgrade from previous model**



ClearLook™ adjustable gallon door bins store gallons with ease and flexibility.



LightTouch! dispenser delivers crushed ice, cubes and chilled water through the door.



Quiet Package II features a deluxe sound floor which provides additional insulation against noise.



Improved fresh food interior lighting is now over 25% brighter for improved visibility.



GE Profile Performance Series™

Dispenser Model

TFX28PPD

- **28.4 cu. ft. capacity** • Exclusive Water by Culligan™ NSF Certified • ShelfSaver™
- 4 ClearLook™ door bins with gallon storage (2 adjustable) • Slide-out cantilevered freezer baskets • New Bisque color • Quiet Package II



GE Profile Performance Series™

Dispenser Models

TFS26PPD

- 25.6 cu. ft. capacity • **Stainless steel** model with trimless door • Exclusive Water by Culligan™ NSF Certified • ShelfSaver™ • 4 ClearLook™ door bins with gallon storage (2 adjustable) • Quiet Package II

TFX26PPD (not shown)

- **25.6 cu. ft. capacity** • White on white, Black on black, Almond on almond or Bisque

TFS22PPD (not shown)

- 21.9 cu. ft. capacity • **Stainless steel model with trimless door**

TFX22PPD (not shown)

- 21.9 cu. ft. capacity • New Bisque color available



GE Profile™

Dispenser Models

TFX26PRD

- **25.6 cu. ft. capacity** • 4 ClearLook™ door bins with gallon storage (2 adjustable) • Quiet Package I

TFX25PAD Non-Dispenser Model (not shown)

- **25.4 cu. ft. capacity**

TFX22PRD (not shown)

- 21.9 cu. ft. capacity

Not all features available on all models. For additional features, specifications and color availability, refer to pages 160-161.

Cooking Products

Microwave Ovens

Dishwashers

Clothes Care

Water Systems

Air Conditioning

Side-By-Side “Z” Series Models: 26 to 22 cu. ft.

These models include • Exclusive Water by Culligan™ • LightTouch! dispenser • Quiet Package I • QuickSpace™ shelf • Four door bins, two adjustable with gallon storage • Snack pan • Adjustable humidity vegetable/fruit crisper • Adjustable temperature meat pan • Two adjustable spill-proof glass shelves • Deluxe handles • Improved fresh food interior lighting

Note: bold = feature upgrade from previous model



Improved fresh food interior lighting is now over 25% brighter for improved visibility.



QuickSpace™ Shelf slides back for storage of tall containers.



Adjustable Humidity Crisper and Adjustable Temperature Meat Pan keep vegetables/fruits fresher longer.



Water by Culligan™ provides cleaner, better-tasting water and ice instantly from your LightTouch! dispenser.



GE

Dispenser Models

TFX26ZPD

• **25.6 cu. ft. capacity** • Exclusive Water by Culligan™ NSF Certified • New Bisque color available

TFX22ZPD (not shown)

• 21.9 cu. ft. capacity

Side-By-Side "C" Builder Series Models: 26 to 22 cu. ft.

These models include • Quiet Package I • LightTouch! dispenser • Four door bins, two adjustable with gallon storage • Adjustable humidity vegetable/fruit crisper • Adjustable temperature meat pan • Two adjustable spill-proof glass shelves • QuickSpace™ shelf • Snack pan • Premium Deluxe handles • Improved fresh food interior lighting **Note: bold = feature upgrade from previous model**



Quiet Package I reduces noise.



Water by Culligan™ provides cleaner, better-tasting water and ice instantly from your LightTouch! dispenser.



QuickSpace™ Shelf slides back for storage of tall containers.



Spill-Proof Shelves help contain spills for ease of cleaning.



GE

Dispenser Model

TFX26CPD

- 25.6 cu. ft. capacity
- **Exclusive Water by Culligan™**
- NSF Certified



GE

Dispenser Model

TFX26CRD

- 25.6 cu. ft. capacity



GE

Dispenser Model

TFX22CRD

- 21.9 cu. ft. capacity

Cooking Products

Microwave Ovens

Dishwashers

Clothes Care

Water Systems

Air Conditioning

Not all features available on all models. For additional features, specifications and color availability, refer to page 161.

Side-By-Side “J” Series Models: 20 cu. ft.

These models include • Quiet Package I • Adjustable temperature meat pan • Adjustable glass shelves • Deluxe handles
 • Improved fresh food interior lighting **Note: bold = feature upgrade from previous model**



Quiet Package I reduces noise.



Improved fresh food interior lighting is now over 25% brighter for improved visibility.



LightTouch! dispenser delivers cubes, crushed ice and chilled water through the door.



Fixed Fresh Food Gallon Door Storage provides maximum storage flexibility.



GE
 Dispenser Model
TFX20JRB
 • 19.9 cu. ft. capacity
 • **LightTouch! dispenser delivers cubes, crushed ice and chilled water** • Sealed vegetable/fruit crisper
 • 4 fixed door bins, 2 with gallon storage

TFX20JAB
 Non-Dispenser Model
 (not shown)
 • 19.7 cu. ft. capacity

Side-By-Side “S” Series Model: 20 cu. ft.



Fixed Fresh Food Gallon Door Storage provides maximum storage flexibility.



Classic White Crispers provide easy storage of vegetable and fruits.



Wire Everwhite Shelves minimize shuffling and restacking of fresh food items.



Quiet Package I reduces noise.



GE
 Non-Dispenser Model
TFX20SAB
 • 19.7 cu. ft. capacity
 • Quiet Package I
 • Equipped for optional automatic icemaker
 • Two classic white crispers, 1 sealed • 4 fixed fresh food door bins, 2 with gallon storage • Wire Everwhite shelves • Deluxe handles

Bottom-Freezer Models: 22 to 18 cu. ft.

These models include • Adjustable humidity vegetable/fruit crispers • Snack pan • Adjustable spill-proof shelves • Wire Everwhite sliding freezer basket • Four modular door bins • Equipped for optional automatic icemaker **Note: bold = feature upgrade from previous model**



Modular Fresh Food Gallon Door Storage provides maximum storage flexibility.



Spill-Proof Shelves help contain spills for ease of cleaning.



ShelfSaver™ provides a new space for odd shapes and sizes.



Clear Crispers with Limited Lifetime Warranty. See page 150 for details.



GE Profile™
Bottom-Freezer Model
TCX22PAC
• 21.7 cu. ft. capacity
• ShelfSaver™



GE Profile™
Bottom-Freezer Model
TCS18PAD
• 17.6 cu. ft. capacity • New Slide 'n Store™ freezer drawer • 2 sliding freezer baskets
TCD18PAD (not shown)
• Color-matched handles



GE Profile™
Bottom-Freezer Models
TCX18PAD
• 17.6 cu. ft. capacity
• ShelfSaver™
GE
TCX18IAD (not shown)
• 17.6 cu. ft. capacity

Not all features available on all models. For additional features, specifications and color availability, refer to page 162.

Top-Freezer Models: 25 to 19 cu. ft.

These models include • Quiet Package I • ShelfSaver™ • Condiment Caddy • Quick Store™ bin (not on TBX19PAB) • Quick Serve™ storage dishes (not on TBX19PAB) • Slide-out, spill-proof adjustable glass shelves • Adjustable humidity vegetable/fruit crispers • Adjustable temperature meat pan • Premium Deluxe handles

Note: bold = feature upgrade from previous model



Quiet Package I reduces noise.



Slide-Out, Spill-Proof Cantilevered Shelf helps contain spills for ease of cleaning.



ShelfSaver™ provides a new space for odd shapes and sizes.



Condiment Caddy offers portable storage from your refrigerator to the table. Keeps condiments organized and easy to access.



GE Profile™

Dispenser Models

TBX25PRB

• **24.7 cu. ft. capacity** • LightTouch! dispenser delivers cubes, crushed ice and water • 4 modular gallon door bins, 3 adjustable • New Bisque color available

TBX22PRB (not shown)

• 21.6 cu. ft. capacity • **LightTouch! dispenser delivers cubes, crushed ice and water** • New Bisque color available



GE Profile™

Non-Icemaker Model

TBX25PAB

• **24.7 cu. ft. capacity** • Equipped for optional automatic icemaker • 4 modular gallon door bins, 3 adjustable • New Bisque color available

TBX22PIB Icemaker Model (not shown)

• 21.6 cu. ft. capacity • **Equipped with factory-installed Nice Cubes™ icemaker** • New Bisque color available

TBX22PAB Non-Icemaker Model (not shown)

• **21.6 cu. ft. capacity** • Equipped for optional automatic icemaker • New Bisque color available

TBX19PAB Non-Icemaker Model (not shown)

• **19.0 cu. ft. capacity** • Equipped for optional automatic icemaker • 5 modular gallon door bins, 4 adjustable • New Bisque color available

Not all features available on all models.

For additional features, specifications and color availability, refer to page 163.

Top-Freezer "C" Builder Series Models: 21 to 18 cu. ft.

These models include • Quiet Package I • Equipped with factory-installed Nice Cubes™ icemaker • Adjustable spill-proof glass shelves • Snack pan • Adjustable humidity vegetable/fruit crispers • Premium Deluxe handles

Note: bold = feature upgrade from previous model



Quiet Package I reduces noise.



Snack Pan conveniently stores rewrapped meats, cheeses and snacks.



GE
Icemaker Model
TBX21CIB
• 20.6 cu. ft. capacity • 3 enclosed door shelves, 2 with gallon storage • New Bisque color available



GE
Icemaker Model
TBX18CIB
• 18.2 cu. ft. capacity • 2 enclosed door shelves with gallon storage • New Bisque color available

Cooking Products

Microwave Ovens

Dishwashers

Top-Freezer "J" Series Models: 24 to 18 cu. ft.



Adjustable Spill-Proof Glass Shelves contain spills for ease of cleaning.



Enclosed Fresh Food Door Shelves provide extra storage protection, keeping small items secure on the door shelf.



GE
Non-Icemaker Models
TBX18JAB
• 18.2 cu. ft. capacity • Equipped for optional automatic icemaker • Tall adjustable humidity vegetable/fruit crispers • Adjustable split spill-proof glass shelves • Sealed snack pan • Clear vegetable/fruit crispers • Fixed gallon door storage • Deluxe handles • 2 enclosed gallon door shelves • New Bisque color available

TBX24JAB (not shown)
• 23.6 cu. ft. capacity • Equipped for optional icemaker • 3 fixed door shelves, 2 with gallon storage • New Bisque color available

TBX21JAB (not shown)
• 20.6 cu. ft. capacity • New Bisque color available

Clothes Care

Water Systems

Air Conditioning

Not all features available on all models. For additional features, specifications and color availability, refer to page 164.

Top-Freezer "I" Series Models: 21 to 18 cu. ft.

These models include • Snack pan • Clear tall vegetable/fruit crispers • Adjustable glass shelves • Deluxe handles

Note: bold = feature upgrade from previous model



Clear Crispers with limited lifetime warranty. See page 150 for details.



Snack Pan conveniently stores rewrapped meats, cheeses and snacks.



GE Non-Icemaker Model

TBX21IAB

- **20.6 cu. ft. capacity** • Equipped for optional automatic icemaker • 2 split, 1 full-width glass cabinet shelves • **3 door shelves, 2 with gallon storage** • Tall vegetable/fruit crispers • Full-width freezer shelf • New Bisque color available

TBX21IIB Icemaker Model (not shown)

- Equipped with factory-installed Nice Cubes™ icemaker • New Bisque color available



GE Non-Icemaker Model

TBX18IAD

- 18.2 cu. ft. capacity • Equipped for optional automatic icemaker • 2 split, 1 full-width glass cabinet shelves • 2 door shelves with gallon storage • Full-width freezer shelf • New Bisque color available

TBX18IID Icemaker Model (not shown)

- 18.2 cu. ft. capacity • **Equipped with factory-installed Nice Cubes™ icemaker** • New Bisque color available

Top-Freezer "R" Series Model: 16 cu. ft.



Nice Cubes™ Icemaker provides rounded shaped ice for better fit into a glass.



GE

Top-Freezer Model

TBX16RIC

- 15.6 cu. ft. capacity • Equipped with factory-installed Nice Cubes™ icemaker • Wire Everwhite shelves • Classic white vegetable/fruit crispers • Tall bottle storage • Deluxe handles • Only 64" high

Not all features available on all models.

For additional features, specifications and color availability, refer to pages 164–165.

Top-Freezer "S" Series Models: 18 to 10 cu. ft.

These models include • Wire Everwhite shelves • Classic white vegetable/fruit crispers • Tall bottle storage • Deluxe handles

Note: bold = feature upgrade from previous model



Wire Everwhite Shelves minimize shuffling and restacking of food.



Classic White Crispers provide easy storage for vegetables and fruits.



Snack Pan conveniently stores rewrapped meats, cheeses and snacks.



Tall Bottle Storage provides flexible storage for oversized items.



GE
Top-Freezer Models
TBX18SAB
• 18.2 cu. ft. capacity • **Snack pan** • Equipped for optional automatic icemaker • **Fixed gallon door storage** • **2 split, 1 full-width fresh food shelves**

TBX18SIB (not shown)
• Equipped **with** factory-installed Nice Cubes™ icemaker



GE
Top-Freezer Models
TBX14SYB
• 14.4 cu. ft. capacity • Equipped for optional automatic icemaker • **Recessed handles**
TBX14SIB (not shown)
• Equipped **with** factory-installed Nice Cubes™ icemaker • **Color-matched handles**
TBX14SAB (not shown)
• Equipped for optional automatic icemaker • **Color-matched handles**



GE
Top-Freezer Models
TBX16SIB
• 16.4 cu. ft. capacity
• **Equipped with** factory-installed Nice Cubes™ icemaker
TBX16SAB (not shown)
• Equipped for optional automatic icemaker
TBX16SYB (not shown)
• Equipped for optional automatic icemaker
• Recessed handles
TBX16SSB (not shown)
• Equipped for optional automatic icemaker
• Only 64" high



GE
Top-Freezer Models
TBX12SAX
• 12.1 cu. ft. capacity • 2 Ice 'N Easy trays
• 2 full-width wire Everwhite cabinet shelves
• **Equipped for optional automatic icemaker**
TBX10SNB (not shown)
• 9.8 cu. ft. capacity • **Rounded doors**

Not all features available on all models. For additional features, specifications and color availability, refer to page 165

Top-Freezer Cycle Defrost Refrigerators

These models include • Adjustable Wire Everwhite cabinet shelves • Full-width freezer shelf • Tall bottle storage

Note: bold = feature upgrade from previous model



Wire Everwhite Shelves minimize shuffling and restacking of food.



Full-Width Freezer Shelves for maximum storage flexibility.



GE

Cycle Defrost Models

TDX11SNY

- **11.0 cu. ft. capacity** • Full-width vegetable/fruit crisper • 2 modular door bins, 2 stationary shelves
- **3 adjustable cabinet shelves**

TDX9SNY (not shown)

- 9.0 cu. ft. capacity • 2 mini Ice 'N Easy trays • **4 modular door bins, 1 stationary shelf** • 2 adjustable cabinet shelves

Top-Freezer Manual Defrost Refrigerator



Wire Everwhite Shelves minimize shuffling and restacking of food.



Full-Width Crisper provides easy access to fruits and vegetables.



GE

Manual Defrost Model

TAX10SNX

- 9.6 cu. ft. capacity • 2 adjustable wire Everwhite shelves • Full-width vegetable/fruit crisper • Tall bottle storage



Not all features available on all models.

For additional features, specifications and color availability, refer to page 166.

Compact 6.0 to 1.7 cu. ft. Spacemaker™ Refrigerators



GE
 Compact Model
TAX6SNXWH/WN
 • 6.0 cu. ft. capacity • 2 adjustable cabinet shelves • Reversible door
 • Optional black panel or custom wood panel available with TK6 trim kit • Available in White or Woodgrain



Cooking Products

Microwave Ovens

Dishwashers

Clothes Care

Water Systems

Air Conditioning



GE
 Compact Model
TAX4SNCWH
 • 4.3 cu. ft. capacity • 3 cabinet shelves
 • Rounded door • Reversible door
 • Available in White only



GE
 Compact Model
TAX2SNCWH/BL
 • 1.7 cu. ft. capacity • 1 slide-out cabinet shelf
 • 1-1/2 door shelves • Available in White or Black

Not all features available on all models.
 For additional features, specifications and color availability, refer to page 166.

Upright Freezers

These models include

- Cabinet shelves
- Adjustable temperature control
- Limited food loss warranty

Note: bold = feature upgrade from previous model



Refrigerated Cabinet Shelves keep items extra cool.



Temperature Monitor with Audible Alarm ensures temperature control.



Slide-Out Bulk Storage Basket for maximum freezer capacity.



Safety Lock provides security.

Not all features available on all models. For additional features, specifications and color availability, refer to page 167.



GE Deluxe Upright Frost-Free Models **FUF20DA**

- 20.3 cu. ft. capacity
- Audible temperature alarm
- Lock
- Power "ON" light
- Slide-out bulk storage basket
- **5 cabinet shelves, 3 adjustable**
- **6 door shelves**

FUF17DA (not shown)

- 16.7 cu. ft. capacity
- **4 cabinet shelves, 3 adjustable**
- 5 door shelves

FUF14DA (not shown)

- 13.7 cu. ft. capacity
- 3 cabinet shelves, 2 adjustable



GE Deluxe Upright Manual Defrost Models **FUM17DA**

- 17.1 cu. ft. capacity
- Audible temperature alarm
- Lock
- Power "ON" light
- Slide-out bulk storage basket
- **4 cabinet shelves, 1 adjustable**
- 5 door shelves

FUM21DA (not shown)

- **20.6 cu. ft. capacity**
- 6 door shelves

FUM14DA (not shown)

- 14.1 cu. ft. capacity
- 3 cabinet shelves, 1 adjustable



GE Standard Upright Manual Defrost Models **FUM12SA**

- 11.6 cu. ft. capacity
- 3 cabinet shelves
- 4 door shelves

FUM14SA (not shown)

- 14.1 cu. ft. capacity
- 3 cabinet shelves
- 5 door shelves

FUM17SA (not shown)

- 17.1 cu. ft. capacity
- 3 cabinet shelves
- 5 door shelves

FUM21SA (not shown)

- **20.6 cu. ft. capacity**
- **4 cabinet shelves**
- **6 door shelves**



GE Standard Upright Manual Defrost Models **FUM9SA**

- **8.7 cu. ft. capacity**
- **4 cabinet shelves**
- **5 door shelves**

FUM5SA (not shown)

- 5.0 cu. ft. capacity
- Rounded doors
- 2 cabinet shelves
- 3 door shelves

Chest Freezers

These models include

- Adjustable temperature control
- Upfront defrost drain (not on FCM5SA)

Note: bold = feature upgrade from previous model



Lift-Out and Sliding Wire Baskets for easy loading and unloading.



Interior Light brightens for easy access.



GE Chest Freezer Models

FCM20DA

- 19.7 cu. ft. capacity
- 2 lift-out and sliding bulk storage baskets
- Temperature Monitor with audible alarm
- Interior light
- Built-in lock
- Power "ON" light

FCM25DA (not shown)

- 24.9 cu. ft. capacity
- 3 lift-out and sliding bulk storage baskets

FCM15DA (not shown)

- 14.8 cu. ft. capacity
- 2 lift-out and sliding bulk storage baskets



GE Chest Freezer Model

FCM15SA

- 14.8 cu. ft. capacity
- 1 lift-out and sliding bulk storage basket



GE Chest Freezer Models

FCM9SA

- 8.8 cu. ft. capacity
- Adjustable temperature control

FCM9DA (not shown)

- 8.8 cu. ft. capacity
- 1 lift-out and sliding bulk storage basket
- Temperature Monitor with audible alarm
- Interior light
- Built-in lock

FCM7DA (not shown)

- 7.2 cu. ft. capacity
- 1 lift-out and sliding bulk storage basket



GE Chest Freezer Model

FCM5SA

- 5.0 cu. ft. capacity
- Adjustable temperature control

Not all features available on all models. For additional features, specifications and color availability, refer to page 167.

GE announces the Advantium™ wall oven. Cooking at the speed of life.™



GE's revolutionary new oven with Speedcook technology is now available in a built-in wall oven configuration. Using breakthrough technology that harnesses the power of light, the Advantium oven delivers delicious, oven-quality food in an average of one-fourth the time of a conventional oven. Some foods are even cooked up to an amazing eight times faster—with no preheating. Years in research and development, the Advantium oven cooks amazingly fast, with great tasting results. Foods not only cook faster with light, but they also retain their natural juices, moisture and good taste. The innovative Advantium oven bakes, broils, browns, roasts, and grills. And it comes preprogrammed with more than 100 of America's favorite dishes. Simply select the preset food, press start and get ready to eat! Welcome to the world of Advantium!

The award winning Advantium™ oven can be installed for every home and lifestyle.



When you choose the award winning new Advantium oven, you not only have a revolutionary new way to cook, you also have a wide range of choices to make your kitchen look and perform perfectly. The innovative new Advantium wall oven can be installed by itself, over a single conventional wall oven or over a warming drawer. The choice is yours. The above-the-cooktop Advantium oven can be installed over a kitchen counter, range or above-the-cooktop. Both ovens give you a variety of installation choices to suit your kitchen needs. The choice is yours! For added convenience, both models convert to a fully featured 950-watt sensor microwave oven. The Advantium oven is available in Stainless steel, White on white, new Bisque, Almond on almond and Black on black. Whatever you desire, the breakthrough Advantium oven has a variety of options to suit your personal needs.

Now you can put home-cooked meals on the table in a fraction of the time it took before.

The pace of life has accelerated dramatically. The Advantium™ oven is especially designed for today's hectic lifestyles. New Speedcook technology lets you prepare flavorful, oven-quality meals you never dreamed of cooking during the week.



Today's busy lifestyles demand Advantium. At 4 PM most weekdays, 71 percent of Americans still haven't planned dinner.*



Savory taste and texture. Advantium lets you "go back to the basics" of home-cooked, nutritious meals, but in an average of one-fourth the time of a conventional oven. Try moist, juicy chicken breasts roasted in 9 minutes!

	ADVANTIUM TIME	CONVENTIONAL TIME
Whole Chicken	25	119
Baked Potatoes	10	83
Pepperoni Pizza	10	23.5
Biscuits	5	15.5
Chocolate Chip Cookies	5	16

Favorite foods cook in minutes. Compare Advantium to a conventional oven. No preheating means your total cooking time drops significantly.



The award winning Advantium™ Oven

Grand Award Winner of Popular Science's 1999 "Best of What's New"

Named one the "Best New Products of 1999" by Business Week

Winner of the KBB Product Innovator Awards Program

Winner of Design Journal's 1999 "Best of Show"

Winner of Design Journal's 1999 Award for Design Excellence (ADEX)

Recipient of the "Gadget Guru Products Award"

Great-tasting food in an average of one-fourth the time, with some foods cooking up to an amazing eight times faster!



Great tasting food. The Advantium oven bakes, broils, browns, roasts and grills—with no preheating. Speedcook technology cooks so fast that foods retain their natural juices, moisture and good taste. Serve mouth-watering, grill-seared sirloin steak in 9 minutes.



Easy to use. Advantium comes preprogrammed with more than 100 of America's favorite foods. Just select your dish, press start and get ready to eat. You can also customize the program to include your own recipes. These are easy controls almost anyone can use—so more people in the family can become home cooks!



Advantium saves money, too. Cooking at home costs less—less than restaurant food, less than pre-cooked gourmet grocery food. You also save because with no preheating and shorter cook times, your kitchen will remain cooler, even in the hot summer months.



Speed. Foods cook in an average of one-fourth the time it takes in a conventional oven. Some foods are cooked up to an amazing eight times faster—with no preheating. You get a wider variety of food options, even for a busy schedule! Advantium delivers oven-quality food, allowing you more quality family time!



Easy to clean. What's the point of saving time if you have to spend it cleaning up? The oven's stainless steel interior cleans with a simple towel wipe and warm, soapy water.

Advantium™ Wall Ovens

- These models include** • More than 100 preprogrammed menu items • Cookbook • Cooking guide with tips • Microwave mode
- Four cooking trays: three for speedcooking, one for microwave mode
 - Family-sized oven interior, cleanable stainless steel
 - Complete cooking reminder
 - Child lockout
 - Available Summer of 2000



GE Profile Performance Series™
Advantium Wall Oven
SCB2001CSS Stainless steel



GE Profile Performance Series™
Advantium Wall Oven

- SCB2000CBB** Black on black
- SCB2000CWW** White on white (not shown)
- SCB2000CCC** Bisque (not shown)
- SCB2000CAA** Almond on almond (not shown)

Not all features available on all models.
For additional features, specifications
and color availability, refer to page 169.

Advantium™ Above-the-Cooktop Ovens

These models include • More than 100 preprogrammed menu items • Cookbook • Cooking guide with tips • Award-winning design controls and styling • Microwave mode • Four cooking trays: three for speedcooking, one for microwave mode • Family-sized oven interior, cleanable stainless steel • Complete cooking reminder • Child lockout • Full-view cooktop lighting



GE Profile Performance Series™
Advantium Oven
SCA2000BBB Black on black



GE Profile Performance Series™
Advantium Oven
SCA2000BWW White on white
SCA2001BSS Stainless steel (not shown)
SCA2000BCC Bisque (not shown)
SCA2000BAA Almond on almond (not shown)

Not all features available on all models.
For additional features, specifications
and color availability, refer to page 169.

Performance, versatility and a style you can call your own.





GE leads the way.

GE continues to bring innovation to every aspect of your cooking needs in performance, versatility and style. Looking for more performance? How about a gas cooktop with Maximum Output and Precise Simmer burners? Or a wall oven featuring TrueTemp™—the most accurate oven you can buy! You say versatility is at the top of your list? Take a look at our Bridge Burner cooktop, which creates an elongated cooking area.

And on top of all that extraordinary cooking ability, we offer some of the most sophisticated and appealing looks imaginable. Whether you choose black or white or stainless steel, you're sure to find a suitable combination that will match any cabinetry or decor. So take a look around. Performance. Versatility. Style. All yours—and only from GE.

Exceptional cooking performance with the TrueTemp™ System.



Through advanced technology, GE Wall Ovens feature the innovative design and cooking performance of the TrueTemp™ System. TrueTemp™ offers SmartLogic Electronic Controls that monitor and maintain oven temperature; a Platinum Oven Sensor senses sudden heat loss, and responds with more power; and a powerful bake element (our most powerful ever!), that delivers 3400 watts of even heat distribution. But delivering consistently even oven temperatures is only the beginning.

JT950SA Double Oven

The most accurate oven in America*
is also the most versatile.



These ovens can be installed in a wall or cabinet, or under a counter with a gas or electric cooktop. All GE 30" built-in ovens fit into common cut-out spaces making it easy to replace an installed oven with an upgrade. And the flush installation appearance is the final touch!

But there's still more to tell! Profile Performance Series™ offers professional touches like the Gourmet Shelf, that features "baking stones" as part of the rack. Dough rises more quickly and efficiently with our innovative "proofing" feature. Consistent cooking. Versatile placement. Professional features. GE Wall Ovens deliver in both cooking performance and flexibility.

**Includes all 30" and 27" ovens.*

A GE wall oven can be four ovens in one.



1. Conventional Baking

2. Conventional Broil
(variable temp)

3. Convection Bake

4. Convection Roast

The addition of a convection oven gives you a whole new range of possibilities. Especially since it requires no additional space. With convection cooking, you'll find roasts turn out beautifully brown on the outside, yet tender and juicy on the inside. If you enjoy baking, you'll delight in the way your baked goods maintain their delicate texture while turning a delicious golden brown. On a practical level, convection cooking saves time and allows you to cook at lower temperatures.



GE convection ranges use the European or “true” convection system. The difference between “us and them” is a third dual loop heating element that surrounds the convection fan in the back wall of the oven. This extra fan at the rear of the oven gently circulates heated air evenly throughout the entire oven cavity—under and around the food. The moving air penetrates foods faster than stationary air.

And all of them are easy to clean.

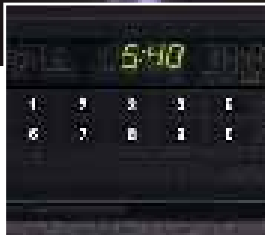


The joy is in the cooking. Not in cleaning-up afterwards! That's why GE pays so much attention to “Cleanability.” GE's remarkable CleanDesign wall oven is a superb example of this. CleanDesign starts with a *clean design*, meaning there are no hard to clean protrusions, corners and crevices. Instead, the surface is smooth. Virtually seamless. There are no endcaps on the control panel or on the handles. Further, the continuous surface design has no hard edges or overlaps where dirt and grease can “catch” and accumulate. Consequently, clean-up is a snap. And of course, the oven itself is self-cleaning.

Amazingly easy to operate, too.



GE's SmartSet Electronic controls are simple to understand and simple to operate. Just read and touch.



Setting the time and temperature is easy. Digipads are numbered 1 through 0. For example, if you want to bake at 350°, you press 3...5...0... then press Bake.



Centigrade or Fahrenheit, it's your choice.



GE touch pads make time and temperature adjustment easy. Increase or decrease temperature or time with a touch of the finger.



It's easy to convert from conventional oven to convection, and vice versa. Convection cooking generally requires less time and lower temperatures. But don't worry about it. GE's SmartSet Controls will automatically make the adjustments for you.



Seven Rack Baking. A GE Exclusive!

The oven comes equipped with three racks. But with the convection oven, you should consider buying up to four additional racks. You can get superb results with as many as seven racks. This means you can bake several sheets of cookies at the same time, with all of them turning out evenly cooked and browned. If you have a big crowd coming over, you can actually bake 14 nine-inch pizzas at once.

Built-In Double Ovens: 30" Electric

These models include

- Flush appearance installation • Fits most 30" cabinets • TrueTemp™ System • SmartSet Electronic Controls
- Control lock capability
- Frameless glass oven doors • Exclusive Big View windows • Upfront interior oven lights

Note: bold = feature upgrade from previous model

Convection Upper/Self-Clean Lower



GE Profile Performance Series™ 30" Built-In Double Oven

JT950SA Stainless steel

- CleanDesign oven interior
- Integrated designer handles

Convection Upper Oven

- Extra-large self-cleaning oven with Delay Clean option • Convection Bake • Convection Roast • Three oven racks
- **Gourmet Shelf** • Exclusive 7 embossed rack positions • Roasting rack • Variable broil • Automatic meat thermometer
- **Proofing option**

Thermal Lower Oven

- Extra-large self-cleaning oven with Delay Clean option • Two oven racks
- 6 embossed rack positions

ONLY GE HAS IT!



TrueTemp™ System
"The Most Accurate Oven in America."



Dough rises more quickly and efficiently with our new Proofing option.

ONLY GE HAS IT!



Exclusive Gourmet Shelf features "baking stones" as part of the rack.



GE Profile Performance Series™ 30" Built-In Double Oven

JT950WA White on white

JT950AA Almond on almond (not shown)

JT950BA Black on black (not shown)

NEW COLOR!



GE Profile Performance Series™ 30" Built-In Double Oven

JT950CA Bisque

Not all features available on all models. For additional features, specifications and color availability, refer to pages 170-171.

Convection Upper/Self-Clean Lower



GE Profile™

30" Built-In Double Oven

JTP56WA White on white

- CleanDesign oven interior • Integrated designer handles • Control lock capability

Convection Upper Oven

- Extra-large self-cleaning oven with Delay Clean option • Convection Bake • Convection Roast
- Three oven racks • Exclusive 7 embossed rack positions • Roasting rack • Eight-pass bake element
- Variable broil • Automatic meat thermometer

Thermal Lower Oven

- Extra-large self-cleaning oven with Delay Clean option • Two oven racks • 6 embossed rack positions

JTP56AA Almond on almond (not shown)

JTP56BA Black on black (not shown)



True convection ovens provide even cooking and superior baking results.



Fast and easy cleanup is made possible through our new CleanDesign oven interior.

Self-Clean (Both Ovens)



GE

30" Built-In Double Oven

JTP45WA White on white

- Extra-large self-cleaning ovens with Delay Clean option • Sure Grip designer-style handles • Variable broil • Two oven racks (each oven) • Six embossed rack positions • Control lock capability

JTP45BA Black on black (not shown)

Self-Clean Upper/Standard Lower



GE

30" Built-In Double Oven

JTP27BA Black on black

- Sure Grip designer-style handles • Six embossed rack positions (both ovens)

Upper Oven

- Extra-large self-cleaning oven with Delay Clean option • SmartSet Electronic Controls • Control lock capability • Variable broil • Two oven racks

Lower Oven

- Extra-large standard clean oven • Rotary controls • Two oven racks

JTP27WA White on white (not shown)



CleanDesign wall ovens have a smooth seamless surface, making cleanup easier than ever.



Exclusive Seven Rack Baking provides more usable shelf capacity.

Not all features available on all models. For additional features, specifications and color availability, refer to pages 170-171.

Built-In Double Ovens: 30" and 27" Electric

These models include

- Flush appearance installation
- Frameless glass oven doors

Note: bold = feature upgrade from previous model



Sensor Microwave Cooking Controls take the guesswork out of cooking your favorite foods.



True convection ovens provide even cooking and superior baking results.



SmartSet Electronic Controls are simple to understand and easy to use.

Not all features available on all models. For additional features, specifications and color availability, refer to pages 170-171 and 174-175.

Microwave Upper/Convection Lower



GE Profile™

30" Built-In Double Oven

JTP95WA White on white

- Fits most 30" cabinets
- SmartSet Electronic Controls
- Upfront interior oven lights

Microwave Upper Oven

- 1.6 cu. ft. cavity
- Sensor Cooking Controls for Auto Cook and Reheat
- Auto Defrost
- Turntable
- 1000 watts

Convection Lower Oven

- Self-cleaning oven with Delay Clean option
- **CleanDesign oven interior**
- **Convection Bake**
- **Convection Roast**
- **Three oven racks**
- **Exclusive 7 embossed rack positions**
- **Roasting rack**
- Variable broil
- **Automatic meat thermometer**
- **Integrated designer handle**
- Exclusive Big View window
- Control lock capability

JTP95BA Black on black (not shown)

Microwave Upper/Self-Clean Lower



GE

30" Built-In Double Oven

JTP85WA White on white

- Fits most 30" cabinets
- SmartSet Electronic Controls
- Upfront interior oven lights

Microwave Upper Oven

- 1.6 cu. ft. cavity
- Sensor Cooking Controls for Auto Cook and Reheat
- Auto Defrost
- Turntable
- 1000 watts

Lower Oven

- Self-cleaning oven with Delay Clean option
- Variable broil
- Two oven racks
- Six embossed rack positions
- Exclusive Big View window
- Designer-style handle
- Control lock capability

JTP85BA Black on black (not shown)



GE

27" Built-In Double Oven

JKP85BA Black on black

- Fits most 27" cabinets

Microwave Upper Oven

- 1.6 cu. ft. cavity
- Auto Roast
- Auto Cook
- Auto Defrost
- Double Duty™ shelf

Lower Oven

- Self-cleaning oven with automatic oven door lock
- Two oven racks
- Designer-style handle
- Electronic oven control
- Variable broil
- Audible preheat signal
- Electronic clock and kitchen timer
- Delay Bake option

JKP85WA White on white (not shown)

Built-In Double Ovens: 27" Electric

These models include

- Flush appearance installation • Fits most 27" cabinets • TrueTemp™ System • SmartSet Electronic Controls
- Control lock capability
- Frameless glass oven doors • Exclusive Big View windows

Note: bold = feature upgrade from previous model



True convection ovens provide even cooking and superior baking results.

ONLY GE HAS IT!



TrueTemp™ System
"The Most Accurate Oven in America"

ONLY GE HAS IT!



Exclusive Gourmet Shelf features "baking stones" as part of the rack.

Convection Upper/Self-Clean Lower



GE Profile Performance Series™
27" Built-In Double Oven
JK950AA Almond on almond

GE Profile Performance Series™

27" Built-In Double Oven

- JK950WA** White on white
- CleanDesign oven interior
 - Integrated designer-style handles

Convection Upper Oven

- Large self-cleaning oven with Delay Clean option
- Convection Bake • Convection Roast • Three oven racks • **Gourmet Shelf** • Roasting rack
- Variable broil • Automatic meat thermometer
- **Proofing option**

Thermal Lower Oven

- Large self-cleaning oven with Delay Clean option
- Two oven racks



GE Profile Performance Series™
27" Built-In Double Oven
JK950BA Black on black
JK950CA Bisque (not shown)

Not all features available on all models. For additional features, specifications and color availability, refer to pages 174-175.

Built-In Double Ovens: 27" Electric

These models include • Flush appearance installation • Fits most 27" cabinets • TrueTemp™ System • Frameless glass oven doors
 • Exclusive Big View windows **Note: bold = feature upgrade from previous model**



ONLY GE HAS IT!

TrueTemp™ System
 "The Most Accurate Oven
 in America."



True convection ovens
 provide even cooking and
 superior baking results.

Convection Upper/Self-Clean Lower



GE Profile™

27" Built-In Double Oven

JKP56BA Black on black

• **CleanDesign oven interior** • SmartSet Electronic Controls • **Integrated designer handles**

Convection Upper Oven

• Large self-cleaning oven with Delay Clean option
 • **Convection Bake • Convection Roast • Three oven racks • Roasting rack • Variable broil • Automatic meat thermometer**

Thermal Lower Oven

• Large self-cleaning oven with Delay Clean option
 • **Two oven racks**

JKP56WA White on white (not shown)

JKP56AA Almond on almond (not shown)

Self-Clean (Both Ovens)



Flush Installation Appearance
 integrates into cabinetry and
 makes cleanup easy.



SmartSet Electronic Controls
 are simple to understand and
 easy to use.

Self-Clean Upper/Standard Lower



GE

27" Built-In Double Oven

JKP45WA White on white

• **Two large self-cleaning ovens with Delay Clean option** • SmartSet Electronic Controls • Sure Grip designer-style handles • **Two oven racks (each oven)**

JKP45BA Black on black (not shown)

GE

27" Built-In Double Oven

JKP27WA White on white

• Sure Grip designer-style handles

Upper Oven

• Large self-cleaning oven with Delay Clean option
 • SmartSet Electronic Controls • Control lock capability • Variable broil • **Two oven racks**

Lower Oven

• Large standard clean oven • Rotary control
 • **Two oven racks**

JKP27BA Black on black (not shown)

Not all features available on all models.
 For additional features, specifications and
 color availability, refer to pages 174-175.

Built-In Single Ovens: 30" Electric

These models include • Flush appearance installation • Fits most 30" cabinets • TrueTemp™ System • CleanDesign oven interior • SmartSet Electronic Controls • Control lock capability • Frameless glass oven door • Exclusive Big View window • Upfront interior oven light

Note: bold = feature upgrade from previous model

ONLY GE HAS IT!



TrueTemp™ System
"The Most Accurate Oven in America."

Self-Clean Convection



GE Profile Performance Series™ 30" Built-In Single Oven

JT910SA Stainless steel

- Integrated designer handle • Extra-large self-cleaning oven with Delay Clean option
- Convection Bake • Convection Roast
- Three oven racks • **Gourmet Shelf**
- Exclusive 7 embossed rack positions
- Roasting rack • Variable broil • Automatic meat thermometer • **Proofing option**



True convection ovens provide even cooking and superior baking results.

ONLY GE HAS IT!



Exclusive Seven Rack Baking provides more usable shelf capacity.

Installation Flexibility

30" wall ovens can be installed in a wall or most 30" cabinets, or under-counter installation with either a gas or electric cooktop above. See pages 172 and 173 for approved cooktop use.



GE Profile Performance Series™ 30" Built-In Single Oven

JT910WA White on white
JT910AA Almond on almond (not shown)
JT910BA Black on black (not shown)



GE Profile Performance Series™ 30" Built-In Single Oven

JT910CA Bisque

Not all features available on all models. For additional features, specifications and color availability, refer to pages 172-173.

Built-In Single Ovens: 30" Electric

These models include • Flush appearance installation • Fits most 30" cabinets • TrueTemp™ System • SmartSet Electronic Controls • Frameless glass oven door • Exclusive Big View window • Upfront interior oven light • Control lock capability

Note: bold = feature upgrade from previous model



True convection ovens provide even cooking and superior baking results.

ONLY GE HAS IT!



Exclusive Seven Rack Baking provides more usable shelf capacity.



Fast and easy cleanup is made possible through our new CleanDesign oven interior.

Installation Flexibility

30" wall ovens can be installed in a wall or most 30" cabinets, or under-counter installation with either a gas or electric cooktop above. See pages 174 and 175 for approved cooktop use.

Self-Clean Convection



GE Profile™

30" Built-In Single Oven

JTP18BA Black on black

- **Integrated designer handle** • Extra-large self-cleaning oven with Delay Clean option
- **CleanDesign oven interior** • **Convection Bake** • **Convection Roast** • **Three oven racks** • **Exclusive 7 embossed rack positions**
- Roasting rack • Variable broil
- **Eight-pass bake element** • **Automatic meat thermometer**

JTP18WA White on white (not shown)

JTP18AA Almond on almond (not shown)

Self-Clean



GE

30" Built-In Single Oven

JTP15WA White on white

- Sure Grip designer-style handle
- Extra-large self-cleaning oven with Delay Clean option
- Two oven racks
- Six embossed rack positions

JTP15AA Almond on almond (not shown)

JTP15BA Black on black (not shown)

Built-In Single Ovens: 27" Electric

These models include • Flush appearance installation • Fits 27" cabinets • SmartSet Electronic Controls • Frameless glass oven door
 • Big View window • Control lock capability (except model JKS05BA) **Note: bold = feature upgrade from previous model**



True convection ovens provide even cooking and superior baking results.



Flush Installation Appearance integrates into cabinetry and makes cleanup easy.



Exclusive Gourmet Shelf features "baking stones" as part of the rack.

Installation Flexibility

27" wall ovens can be installed in a wall or 27" cabinet, or undercounter installation with either a gas or electric cooktop above. See pages 176 and 177 for approved cooktop use.

Not all features available on all models. For additional features, specifications and color availability, refer to pages 176-177.

Self-Clean Convection



GE Profile Performance Series™

27" Built-In Single Oven

JK910WA White on white

- Integrated designer handle • TrueTemp™ System
- Large self-cleaning oven with Delay Clean option
- CleanDesign oven interior • Convection Bake
- Convection Roast • Three oven racks • **Gourmet Shelf** • Roasting rack • Variable broil • Automatic meat thermometer • **Proofing option**

JK910CA Bisque (not shown)

JK910AA Almond on almond (not shown)

JK910BA Black on black (not shown)

Self-Clean



GE

27" Built-In Single Oven

JKP15WA White on white

- TrueTemp™ System • **Sure Grip designer-style handle** • Large self-cleaning oven with Delay Clean option • **Six-pass bake element** • Two oven racks

JKP15AA Almond on almond (not shown)

JKP15BA Black on black (not shown)



GE Profile™

27" Built-In Single Oven

JKP18WA White on white

- TrueTemp™ System • Large self-cleaning oven with Delay Clean option • **CleanDesign oven interior** • **Convection Bake** • **Convection Roast** • **Three oven racks** • **Roasting rack** • Variable broil • **Automatic meat thermometer** • **Integrated designer-style handle**

JKP18AA Almond on almond (not shown)

JKP18BA Black on black (not shown)

Standard Clean



GE

27" Built-In Single Oven

JKS05BA Black on black

- Sure Grip designer-style handle • Large standard clean oven • Two oven racks

Built-In Double and Single Ovens: 24" Electric

These models include

- Fits most 24" cabinets
- SmartSet Electronic Controls • Frameless glass oven doors • Designer-style handles • Two oven racks (each oven)

Note: bold = feature upgrade from previous model



SmartSet Electronic Controls are simple to understand and easy to use.



- GE**
24" Built-In Double Oven
JRP24BW Black on black
- Upper Oven**
- Self-cleaning oven with Delay Clean option
 - SmartSet Electronic Controls • Control lock capability • Start pad • Delay Bake option with Cook & Hold • Variable broil
- Lower Oven**
- Standard clean oven • Rotary controls



- GE**
24" Built-In Single Oven
JRP15WW White on white
- **Self-cleaning oven with Delay Clean option**
 - Variable broil • Control lock capability • Start pad
 - Delay Bake option with Cook & Hold
- JRP15BW** Black on black (not shown)
- JRS04BW** Black on black
- Standard clean oven • Variable broil • Start pad
 - Delay Bake option with Cook & Hold

Built-In Single Ovens: 24" Gas

These models include

- Fits most 24" cabinets
- SmartSet Electronic Controls • Electronic pilotless ignition
- Frameless glass oven door
- Designer-style handle

Note: bold = feature upgrade from previous model



Self-Clean Ovens provide easy clean convenience. Simply set the controls and the oven cleans itself.

Not all features available on all models. For additional features, specifications and color availability, refer to pages 174-178.



- GE**
24" Built-In Single Oven
JGRP17WEW White on white
- **Self-cleaning oven with Delay Clean option**
 - **Control lock capability** • **In-oven broiling**
 - **Storage drawer**
- JGRP17BEW** Black on black (not shown)



- GE**
24" Built-In Single Oven
JGRS14BEW Black on black
- Standard clean oven • Separate broiler drawer

Built-In Warming Drawers: 30" and 27" Electric

These models include • Flush appearance installation • Temperature control with Proof, Low, Medium and High settings • Crisp/Moist humidity control • ON/OFF switch • "ON" indicator light • One-half rack • Frameless drawer front • Integrated designer-style handle

- Removable stainless steel drawer pan • 5-piece commercial pan set (available at additional cost)

Note: bold = feature upgrade from previous model



Half Rack provides even heat distribution and allows extra space to keep food warm and tasty before serving.



Warming Drawer keeps plates warm, ready and waiting to serve that special meal.



Hidden Temperature Control has Proof, Low, Medium and High settings for warming flexibility.



GE Profile Performance Series™

Built-In Warming Drawer

JTD910SB Stainless steel

- 30" width

JKD910SB Stainless steel (not shown)

- 27" width



GE Profile Performance Series™

Built-In Warming Drawer

JTD910CB Bisque

- 30" width

JKD910CB Bisque (not shown)

- 27" width



GE Profile Performance Series™

Built-In Warming Drawer

JTD910WB White on white

- 30" width

JTD910AB Almond on almond (not shown)

- 30" width

JTD910BB Black on black (not shown)

- 30" width

JKD910WB White on white (not shown)

- 27" width

JKD910AB Almond on almond (not shown)

- 27" width

JKD910BB Black on black (not shown)

- 27" width

Not all features available on all models. For additional features, specifications and color availability, refer to page 179.

A full range of cooktops—distinctive in style, versatile in cooking performance, available in electric and gas.



Sophisticated electric cooktops that cater to your taste.

To give you a flavor for the style and performance of GE built-in electric cooktops, let's begin with our GE Profile Performance 36" models. This CleanDesign cooktop has five ribbon elements of varying sizes, plus a bridge burner that connects two 7" elements to create an elongated cooking area. The elegance of the frameless design is accentuated by the flush-mount installation, which places cooktop and countertop at the same level. GE offers a broad selection of built-in electric cooktops: 30" and 36" glass-ceramic models, as well as 30" and 36" induction, and electric coil cooktops. No matter which you choose, you'll appreciate the convenience, cleanability, and cooking performance brought to you by GE.

CleanDesign cooktops can be installed flush with the countertop creating a stunning visual effect.



Sealed burners help contain spills from dripping beneath the cooktop.

Innovative features make GE Gas Cooktops a smart choice.

If you're looking for a high-performance built-in gas cooktop that can deliver Precise Simmer and Maximum Output, you've come to the right place. For starters, there's the matter of cleanability. On most GE gas cooktops, the burners are sealed to the cooktop to help contain spills. Clean-up is simply a matter of wiping the burner wells with a damp sponge. We've addressed the matter of temperature control as well, with a precise simmer burner that holds delicate foods and sauces to a low 700 BTU setting. At the opposite end of the spectrum, the maximum output burner provides the fast heat-up and high power needed for the wok or the lobster pot. Whether you choose a five-burner stainless steel cooktop from the GE Profile Performance Series™, or any of our other 30" and 36" gas models, you'll see why GE is the leader when it comes to cooking with gas.

Built-In Cooktops: 36" and 30" Electric CleanDesign

These models include • Smooth-surface glass-ceramic CleanDesign cooktop • Fingerprint and scratch resistant patterned glass cooktop

Note: bold = feature upgrade from previous model



Flush Mount Installation creates a stunning visual effect.

(Not available on stainless steel models)



Bridge Element for total cooking flexibility.



Ribbon Heating Elements direct heat straight up to the pan, providing even heat for uniform cooking.



GE Profile Performance Series™

36" Built-In CleanDesign Electric Cooktop

JP960TB White on white

- Frameless true white cooktop • **Five ribbon heating elements: one 6", one 7", one dual (6"/9") and two 7" with connecting bridge burner** • **Five hot surface indicator lights** • Flush mount installation capability



GE Profile Performance Series™

36" Built-In CleanDesign Electric Cooktop

JP960CA Bisque

- Frameless cooktop • **Five ribbon heating elements: one 6", one 7", one dual (6"/9") and two 7" with connecting bridge burner** • **Five hot surface indicator lights** • Flush mount installation capability

NEW COLOR!



GE Profile Performance Series™

36" Built-In CleanDesign Electric Cooktop

JP960SA Stainless steel

- Frameless cooktop • **Five ribbon heating elements: one 6", one 7", one dual (6"/9") and two 7" with connecting bridge burner** • **Five hot surface indicator lights**

JP960WA White on white (not shown)

- Flush mount installation capability

JP960AA Almond on almond (not shown)

- Flush mount installation capability

JP960BA Black on black (not shown)

- Flush mount installation capability



GE Profile Performance Series™

30" Built-In CleanDesign Electric Cooktop

JP930TB White on white

- Frameless true white cooktop • **Four ribbon heating elements: one 6", one dual (6"/9") and two 7" with connecting bridge burner** • **Four hot surface indicator lights** • Flush mount installation capability

Not all features available on all models. For additional features, specifications and color availability, refer to page 180.



GE Profile Performance Series™

30" Built-In CleanDesign Electric Cooktop

JP930BA Black on black

- Frameless cooktop • Four ribbon heating elements: one 6", one dual (6"/9") and **two 7" with connecting bridge burner** • Four hot surface indicator lights
- Flush mount installation capability

JP930SA Stainless steel (not shown)

JP930WA White on white (not shown)

- Flush mount installation capability

JP930CA Bisque (not shown)

- Flush mount installation capability

JP930AA Almond on almond (not shown)

- Flush mount installation capability



GE Profile™

30" Built-In CleanDesign Electric Cooktop

JP350TB White on white

- Frameless true white cooktop • Four ribbon heating elements: **one dual (6"/9")**, two 8" and one 6" • **Four hot surface indicator lights** • Flush mount installation capability



GE Profile™

30" Built-In CleanDesign Electric Cooktop

JP350WA White on white

- Frameless cooktop • Four ribbon heating elements: **one dual (6"/9")**, two 8" and one 6" • **Four hot surface indicator lights** • Flush mount installation capability

JP350AA Almond on almond (not shown)

JP350BA Black on black (not shown)



GE

30" Built-In CleanDesign Electric Cooktop

JP340BA Black on black

- Frameless cooktop • Four ribbon heating elements: two 6" and two 8" • Surface "ON" light • Flush mount installation capability

JP340WA White on white (not shown)

Built-In Cooktops: 36" and 30" Electric Coil

These models include • Porcelain-enameled lift-up cooktop • Two 8" and two 6" plug-in Calrod® heating elements
• Infinite heat rotary controls **Note: bold = feature upgrade from previous model**



GE

36" Built-In Electric Cooktop

JP626WV White on white

• One-piece chrome drip bowls • **Upfront white glass control panel**

JP626AV Almond on almond (not shown)



GE

30" Built-In Electric Cooktop

JP326BV Black on black

• One-piece drip bowls • Black glass control panel

JP326WV White on white (not shown)

JP326AV Almond on almond (not shown)

JP326CV Brushed-chrome (not shown)

Built-In Cooktops: 21" Compact



GE

21" Built-In Electric Cooktop

JP201CB Stainless steel

• One 8" and one 6" plug-in heating elements

• Infinite heat rotary controls • Removable one-piece chrome drip bowls • Heating element "ON" indicator light

JP200V White porcelain-enameled (not shown)

(Available in White only)

Built-In Cooktops: Downdraft Electric

These models include • Four ribbon heating elements: one 6", one dual (6"/9") and two 7" with connecting bridge burner
 • Four hot surface indicator lights • Powerful downdraft venting system • Three-speed fan • Up-front controls



GE Profile Performance™
 30" Downdraft Electric Cooktop
JP989TC True white
 • Frameless true white cooktop
JP989WC White on white (not shown)



GE Profile Performance™
 30" Downdraft Electric Cooktop
JP989CC Bisque
 • Frameless patterned bisque cooktop



GE Profile Performance™
 30" Downdraft Electric Cooktop
JP989BC Black on black
 • Frameless patterned black cooktop

Not all features available on all models.
 For additional features, specifications and
 color availability, refer to pages 182-183.

Built-In Cooktops: 36" and 30" Gas

These models include • Sealed burners (except JGP320EV) • Electronic pilotless ignition

Note: bold = feature upgrade from previous model



Sealed Burners help contain spills from dripping beneath cooktop for easy cleanup.



Precise Simmer Burner provides more temperature control with low 700 BTU setting.



Maximum Output Burners have high power performance making cooking convenient.



GE Profile™

36" Built-In Gas Integrated Downdraft Cooktop

JGP656WB White on white

• Tempered glass cooktop • Continuous cast grates • **500 CFM retractable downdraft venting system** • **Upfront variable speed fan control** • Use optional GE accessory cover (JXBC57) for outdoor installation of blower and motor • **JXBA56WW or JXBA56BB Downdraft Venting Kit required for installation** • **Remote blower installation kit available** • **JXRB57 for installation of blower and motor below the floor**

JGP656BB Black on black (not shown)

(Available May '00)



GE Profile Performance Series™

36" Built-In Gas Cooktop

JGP960SEA Stainless steel

• Tempered glass cooktop • Deluxe cast grates • Five sealed burners • Two Precise Simmer burners • Maximum Output burner

Shown with JVB96SA telescopic downdraft vent.



GE Profile™

36" Built-In Gas Cooktop

JGP636BEV Black on black

• Tempered glass cooktop • Deluxe cast grates • Five sealed burners • Two Precise Simmer burners • Maximum Output burner

JGP636WEV White on white (not shown)

JGP636CEV Bisque (not shown)

JGP636AEV Almond on almond (not shown)



GE

36" Built-In Gas Cooktop

JGP626WEV White on white

• Porcelain-enameled cooktop • Precise Simmer burner • Standard cast grates

JGP626AEV Almond on almond (not shown)

JGP626BEV Black on black (not shown)

Not all features available on all models. For additional features, specifications and color availability, refer to pages 184-185.



GE Profile Performance Series™

30" Built-In Gas Cooktop

JGP930SEA Stainless steel

- Tempered glass cooktop • **Deluxe cast grates** • Precise Simmer burner
- Maximum Output burner



GE Profile™

30" Built-In Gas Cooktop

JGP336CEV Bisque

- Tempered glass cooktop • Precise Simmer burner • **Maximum Output burner**

JGP336WEV White on white (not shown)

JGP336AEV Almond on almond (not shown)

JGP336BEV Black on black (not shown)



GE

30" Built-In Gas Cooktop

JGP326BEV Black on black

- Sealed burners • **Precise Simmer burner**
- Standard cast grates

JGP326WEV White on white (not shown)

JGP326AEV Almond on almond (not shown)



GE

30" Built-In Gas Cooktop

JGP320EV White or black

- Lift-up cooktop • Glass control panel
- Standard porcelain steel grates

Built-In Cooktops: Downdraft Electric Select-Top™ Modular

These models include • Infinite heat rotary controls • Powerful downdraft venting system • Heating element “ON” indicator light

Note: bold = feature upgrade from previous model

Optional Select-Top™ Modules (available at additional cost)



Grill Module
Front and rear controlled heating element for more cooking flexibility and energy savings. One-piece grill grate and porcelain-enameled reflector pan can be removed for cleaning in sink or dishwasher.



Griddle Accessory
(For use with optional grill module) Place over heating element and reflector pan from optional grill module. Griddle accessory has a non-stick coating and is self-draining.



Ribbon Module
Patterned glass top with one 8" and one 6" ribbon heating element.



Calrod® Module
One 8" and one 6" plug-in Calrod® heating element with removable one-piece drip bowls.

Grill Cover (not shown)
Covers grill area when not in use. Available in Black on black and White on white.



GE Profile™
30" Dual Modular Cooktop JP389WV White on white
• 3-speed fan • Porcelain-enameled cooktop
• Both sides accept optional cooking modules
Shown with optional Ribbon module JXDR50VW and Grill module JXDL44N.



GE Profile™
30" Dual Modular Cooktop JP389BV Black on black
• 3-speed fan • Porcelain-enameled cooktop
• Both sides accept optional cooking modules
Shown with optional Ribbon modules JXDR50VB.



GE
30" Single Modular Cooktop JP385WV White
• Porcelain-enameled cooktop • Fixed 6" and 8" plug-in Calrod® heating elements • Left side accepts optional cooking modules
Shown with optional Grill module JXDL44N.



GE
30" Single Modular Cooktop JP385BV Black
• Porcelain-enameled cooktop • Fixed 6" and 8" plug-in Calrod® heating elements • Left side accepts optional cooking modules
Shown with optional Grill module JXDL44N.
JP385CV
Brushed-chrome (not shown)

Optional Modules (available at additional cost)	Models				
	JP389WV	JP389BV	JP385WV	JP385BV	JP385CV
Calrod® Module	JXDC44RWH	JXDC43RBL	JXDC44RWH	JXDC43RBL	JXDC41NBC
Ribbon Module	JXDR50VW	JXDR50VB	JXDR50VW	JXDR50VB	
Grill Module	JXDL44N	JXDL44N	JXDL44N	JXDL44N	JXDL44N
Griddle Accessory	JXDD44R	JXDD44R	JXDD44R	JXDD44R	JXDD44R
Grill Cover	JXDM3	JXDM2	JXDM3	JXDM2	JXDM2

Not all features available on all models.
For additional features, specifications and color availability, refer to pages 186-187.

Built-In Cooktops: Patio Grill



GE

30" Patio Grill

JP380BV Black

- Porcelain-enameled cooktop
- Fixed grill elements each side
- Infinite heat rotary controls
- Powerful downdraft venting system
- Heating element "ON" indicator light
- Optional grill covers (JXDM4) available at additional cost

U.L. approved for outdoor use only.

Built-In Cooktops: Downdraft Gas Modular



GE Profile™

30" Single Modular Gas Cooktop

JGP389WEV White on white

- Fixed standard gas burners (right side)
- Left side accepts optional cooking modules
- Powerful downdraft venting
- Electronic pilotless ignition
- Up-front controls

Shown with optional Grill module JXGG89.

JGP389BEV Black on black (not shown)

Optional Modules

(available at additional cost)

Two-burner gas module for standard burners

JXGB89W—White on white

JXGB89B—Black on black

Gas grill module

JXGG89

Griddle for use with optional Grill module

JXGL89

Grill Cover

JXGC89W—White on white

JXGC89B—Black on black

Common Cooktop Cutouts

Common Cutouts—30" Cooktops

Dimensions (W x D)	Model #	Description
28-1/2" x 19-1/2"	JP930	CleanDesign
	JP350	CleanDesign
	JP340	CleanDesign
	JP326	Calrod®
	JGP930—Gas	Sealed Burner
	JGP336—Gas	Sealed Burner
28-7/8" x 20-5/8"	JGP326—Gas	Sealed Burner
	JP989	Electric Downdraft
	JP389	Modular Downdraft
	JP385	Modular Downdraft
	JP380	Patio Grill

Common Cutouts—36" Cooktops

Dimensions (W x D)	Model #	Description
33-7/8" x 19-1/16"	JP960	CleanDesign
	JP626	Calrod®
	JGP960—Gas	Sealed Burner
	JGP636—Gas	Sealed Burner
	JGP626—Gas	Sealed Burner
34-9/16" x 21"	JGP656—Gas	Sealed Burner Downdraft

Not all features available on all models.
For additional features, specifications and color availability, refer to pages 186-187.

Stylish slide-in ranges for a custom built-in look.



All the advantages, without the expense.

This electric slide-in range, with its CleanDesign glass-ceramic cooktop, frameless glass door and designer handle, fairly shines with style. Its performance is even more dazzling. The cooktop has four ribbon heating elements positioned beneath the smooth surface. Heat from the glowing elements is directed straight up to the sauce pan or skillet, resulting in even, high-speed heat-up and quick cooking response. Operating the oven is simply a matter of pressing the SmartSet touchpads to set the cooking function, time, and temperature.

Ribbon elements respond promptly and direct heat straight up, so cooking utensils are heated quickly and evenly.

How to keep the highs and lows under control.



SmartSet electronic controls are easy to understand and simple to use.

From boil to simmer, burners maintain the setting you select. It has the look of a built-in, but offers the advantage of a simple slide-in installation. And that's just one of the benefits offered by this GE 30" gas range. The burners are sealed to the cooktop to help contain spills, making clean-up quick and easy. Power capacities range from low simmer to high output—so, while you're gently heating a white sauce on the simmer burner, you can boil linguine on the maximum-output burner and cook fresh vegetables on the medium-output burners. The burners are electronically ignited, so you don't have the worry of troublesome pilot lights. And you don't have the bother of cleaning the oven, either. The large, self-cleaning oven even has a Delay Clean Option that lets you schedule the cleaning at your convenience.

Slide-In Ranges: 30" Electric

These models include • SmartSet electronic controls • Four hot surface indicator lights • Fingerprint and scratch resistant patterned glass-ceramic CleanDesign cooktop • Self-cleaning oven with Delay Clean option • Frameless glass oven door with window • SureGrip designer-style handle • Control lock capability • Custom built-in look with simple slide-in installation. Note: All models have black painted side panels.

Note: bold = feature upgrade from previous model



GE Profile Performance™
30" Slide-In CleanDesign Convection Range
JS960TB True white
• **Bridge burner element** • **Convection bake**
• **Convection roast**
JS960WB White on white (not shown)
JS960CB Bisque (not shown)
JS960BB Black on black (not shown)



GE Profile™
30" Slide-In CleanDesign Electric Range
JSP40BW Black on black
• Two 8", one 6" and one dual (6"/9") ribbon heating element
JSP40WW White on white (not shown)
JSP40AW Almond on almond (not shown)

These models include • Lift-up overhanging porcelain-enameled cooktop • Two 8" and two 6" plug-in Calrod® heating elements • Electronic clock and kitchen timer • Custom built-in look with simple slide-in installation. Note: All models have black painted side panels.

Note: bold = feature upgrade from previous model



GE
30" Slide-In Electric Coil Range
JSP34AW Almond on almond
• SmartSet Electronic Controls
• Self-cleaning oven with Delay Clean option • Frameless glass oven door with designer-style handle • Control lock capability
JSP34WW White on white (not shown)
JSP34BW Black on black (not shown)



GE
30" Slide-In Electric Coil Range
JSP26BW White or almond
• **SmartSet Electronic Controls**
• **Self-cleaning oven with Delay Clean option** • Frameless glass oven door with designer-style handle • **Control lock capability**



GE
30" Slide-In Electric Coil Range
JSS26BW Black on black
• Standard clean oven • **Frameless glass oven door with designer-style handle**
JSS16PW White or almond (not shown)
• Standard clean oven • Color-matched oven door • Visor handle

Slide-In Ranges: 30" Gas

These models include

- Electronic pilotless ignition
- Frameless glass oven door
- Interior oven light
- Broiler pan with grid

Note: bold = feature upgrade from previous model



GE Profile™

30" Slide-In Gas Range

- JGSP44WEY** White on white
- SmartSet Electronic Controls
 - Self-cleaning oven with Delay Clean option
 - Sealed burners
 - Standard simmer burner
 - **Maximum output burner**
 - **Deluxe cast grates**
 - **Sure Grip designer-style handle**
 - **Glass cooktop**
 - Storage drawer

JGSP44AEY Almond on almond (not shown)

JGSP44BEY Black on black (not shown)

Model shown with required filler strip provided.

Optional Accessory Trim Kits

Enhance the built-in look of these Slide-In Gas ranges with optional accessory trim kits (all models except JGSS05BEA), see page 189.



GE

30" Slide-In Gas Range

- JGSP23WEY** White on white
- SmartSet Electronic Controls
 - Sealed burners
 - Standard Simmer burner
 - Self-cleaning oven with Delay Clean option
 - Control lock capability
 - White porcelain-enameled cooktop
 - Standard cast grates
 - Storage drawer

JGSP23BEY Black on black (not shown)



GE

30" Slide-In Gas Range

- JGSS05BEA** Black on black
- Extra-large standard clean oven
 - Black porcelain-enameled lift-up cooktop
 - Twin rod supports
 - Separate broiler drawer with extra-large broiler pan and grid
 - Standard porcelain steel grates

Models shown with required filler strip provided.

Not all features available on all models. For additional features, specifications and color availability, refer to pages 190-191.

Slide-In Ranges: 30" Downdraft Electric

These models include

- Powerful downdraft venting system
- Two-speed fan
- Self-cleaning oven
- Glass oven door with window
- Designer-style handle
- Electronic clock and minute timer
- Delay Bake option
- Dual modular porcelain-enameled cooktop
- Storage drawer (half depth)



GE
30" Downdraft Electric Slide-In Range
JSP69WV White on white
JSP69BV Black on black (not shown)

Modular cooktops allow you to customize the range to suit your convenience and food preparation needs. Downdraft venting allows you to fry, griddle or grill without a vent hood. These ranges are equipped with a grill module, other modules shown are available at additional cost.



Coil Modules
JXGC53W—White on white,
JXGC53B—Black on black.
One 8" and one 6" plug-in
heating element with removable
one-piece drip bowls.



Griddle Accessory
JXGL90—(For use with grill
module) Place over heating
element from grill module.
Griddle accessory has a
non-stick coating.



Radiant Module
JXGR63B—Frameless
module has patterned glass
top with two 7" radiant
heating elements.



Grill Module
JXGG50—Has two-piece,
non-stick coated grates
for cooking and cleaning
convenience. (One included
with each range.)

Drop-In Ranges: 30" Electric

These models include

- SmartSet Electronic Controls
- Lift-up overhanging cooktop
- Lift-off frameless glass oven door
- Designer-style handle
- Self-cleaning oven with delay option
- Control lock capability

Note: bold = feature upgrade from previous model



NEW COLOR!

GE Profile™
30" Drop-In Electric Range
JDP40CB Bisque
• Two 6", one 9" and one dual (6"/9")
ribbon heating element • Four hot surface
indicator lights • Fingerprint and scratch
resistant glass ceramic CleanDesign cooktop
JDP40WB White on white (not shown)
JDP40BB Black on black (not shown)



GE
30" Drop-In Electric Range
JDP39BW Black on black
• Two 8" and two 6" plug-in heating elements
• Removable one-piece drip bowls
JDP39WW White on white (not shown)



GE
30" Drop-In Electric Range
JDP36BW White or almond
• Two 8" and two 6" plug-in heating elements
• Removable one-piece drip bowls
JDS26BW White or almond (not shown)
• Standard clean oven

Not all features available on all models.
For additional features, specifications and color availability,
refer to pages 188 and 191.

Drop-In Spacemaker™ Ranges: 27" Electric

These models include • Lift-up overhanging porcelain-enameled cooktop • One 8" and three 6" plug-in Calrod® heating elements
 • Frameless glass oven door • Big View window • Chrome drip bowls **Note: bold = feature upgrade from previous model**



Electronic Oven Control provides convenient cooking functions.



Lift-Up Cooktop stays up for easy access to clean the subtop quickly.



Calrod® Heating Elements unplug for easy removal of one-piece drip bowls for cleaning and access to the subtop.

Optional Backguards

White, black or almond painted finish is available at additional cost for all models.

JX27RWH – White,
 JX27RBK – Black,
 JX27RAD – Almond



GE Profile™

27" Drop-In Electric Range

JMP31WA White on white

- Self-cleaning oven with automatic oven door lock
- Electronic clock and kitchen timer
- Auto oven shut-off
- **Sure Grip designer-style handle**



GE

27" Drop-In Electric Range

JMP28BA White or almond

- **Self-cleaning oven with automatic oven door lock**
- **Electronic clock and minute timer**
- **Auto oven shut-off**



GE

27" Drop-In Electric Range

JMS08BA White or almond

- Standard clean oven
- Rotary oven controls

Not all features available on all models. For additional features, specifications and color availability, refer to page 192.

The new GE Spectra™ oven is the largest,* most accurate oven in America!

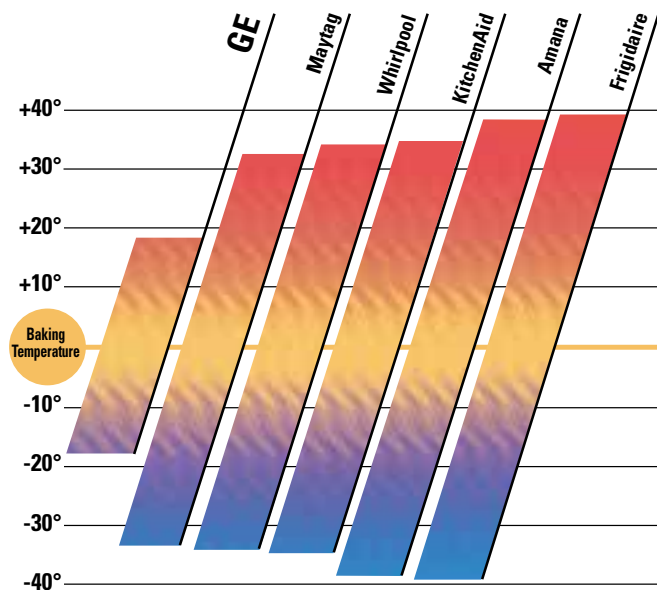


You won't find a larger oven in America! Just imagine, a full 5.0 cubic feet!

This 5.0 cubic foot oven is big enough to handle a large quantity of food for those special occasions. It has 26% more usable space than Whirlpool's largest oven, 28% more than Maytag's and 36% more than Frigidaire's. It also features GE's exclusive six rack capability to accommodate a variety of cookware.

TrueTemp™ is still the most accurate oven in America!

TrueTemp™ electric ranges have the most advanced temperature management system in the industry. Less temperature variance means better oven accuracy which delivers consistent cooking results.



Not all features available on all models.

*Among leading manufacturers' brands.

The new GE Spectra™ cooktop gives you more ways to cook great food!



Warming Option

Keeps soups, sauces, breads and pancakes warm, or melts butter and chocolate. Or use this new burner as you would any other cooktop element.



Bridge Burner

GE's exclusive bridge burner, when used with either one or both single elements, allows you to create larger cooking zones for any size cookware.



6"/9" Dual Element

The dual ring element is a small and a large element all in one. It lets you heat the element area that's needed for either a six- or nine-inch pan.

The new GE Spectra™ range is easier to clean than ever before!



CleanDesign Interior

As for cleanability, the CleanDesign oven interior conceals the lower oven element under a porcelain-coated steel surface. All you see and clean is a flat, smooth oven surface.

Seamless Backguard

The seamless backguard design provides a sleek appearance and makes cleaning fast and easy. The easy-to-use glass touch controls bring elegance and style to your range.

GE Spectra™ ranges are easy to use.



The oven is self-cleaning, of course. But for most families, 80 percent of the cooking is done on the cooktop. You can see in a glance just how easy it is to wipe the smooth ceramic glass cooktop clean.

STYLISH. Please note the designer handle, frameless, full-width glass oven door, sleek control panel and overall appearance.

ATTRACTIVE. The cooktop's decorator pattern won't wear off under normal use and also helps camouflage any smudges that might occur.

RESPONSIVE. GE's Prompt Response System makes the heating elements come on fast, and then directs the heat straight up to the pan or cookware.

UNIFORM HEAT. Elements are designed to distribute heat uniformly, pulsing on and off to maintain the selected heat level.

PROTECTIVE. Heating elements have a "hot surface" indicator light to let you know when the element is too hot to touch (it continues to work even if the element has been turned off).

DURABLE. The cooktop is made with a specially engineered ceramic glass that has an amazing resistance to both stains and impact.

Don't settle for less than true convection.



GE convection ranges use the European or "true" convection system. The difference between "us and them" is a third dual loop heating element that surrounds the convection fan in the back wall of the oven. This extra fan at

the rear of the oven gently circulates heated air evenly throughout the entire oven cavity—under and around the food. The moving air penetrates foods faster than stationary air.



Convection cooking has long been acclaimed as superior by professional chefs and bakers. And no wonder. Roasting time is reduced with more "even" results. Roasts are beautifully browned on the outside, tender and juicy inside.



GE convection ovens deliver exceptional baking results with reduced temperatures (up to 25° less than a conventional oven). Expect your baked goods to maintain their delicate texture while turning a golden brown.

And easy to clean.



The porcelain-enameled subtop is designed with special containment wells for easy clean-up. Wires have all been thoughtfully positioned under the edge of the cooktop so they never interfere with cleaning.

CONTAINMENT. GE's Clean-Well™ cooktops are designed to contain most spills before they reach the subtop.

EXCLUSIVE DESIGN. Only GE has the Clean-Well™ Cooktop. This closer look shows you why clean-up is so simple. First, the high spill rims around the Calrod® elements help contain the spills on top. Second, the plug-in Calrod® elements and the simple one-piece drip bowls are easily removed.

STURDY. Don't worry about the cooktop falling. The torsion bar and dual support rods make it easy to lift-up and lock. It's just as easy to reverse the procedure.

LIFT-UP. Just lift-up and lock the cooktop into place for easy access to the recessed spill containment subtop.

A simple guide to GE's QuickSet oven controls



QuickSet II

- Dual Element Bake • Digital temperature display with recall • Oven Preheat light • Electronic digital clock • Electronic reminder timer, up to 12 hours • Audible Preheat signal • 12-Hour automatic oven shut-off
- Self-clean countdown digital display, includes cool down • Auto self-clean



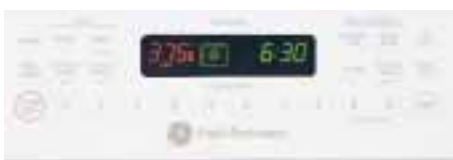
QuickSet III

- Same as QuickSet II, plus:
- Automatic oven control • Delay Bake • Delay Self-Clean
 - Adjustable self-clean cycle time



QuickSet IV

- Same as QuickSet III, plus:
- Auto self-clean • All touchpad control • Large digital temperature display • Variable broil



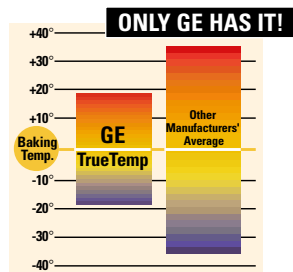
QuickSet V

- Same as QuickSet IV, plus:
- Convection bake/roast • Temperature probe
 - Extra-large graphics and extra-large touchpads
 - Digital glass touchpad control (0-9) entry • Oven function icons

CleanDesign: Convection

These models include • TrueTemp™ System • Self-cleaning convection oven with dedicated third, dual-loop heating element • Warming option • Dual element bake • Six-pass power bake element • SmartLogic™ electronic control • Patterned glass-ceramic cooktop • Storage drawer • QuickSet V oven controls (see page 77) • Electronic digital clock and oven controls • Fluorescent cooktop light • Four leveling legs

Note: bold = feature upgrade from previous model



SmartLogic™ Electronic Control delivers more consistent oven temperatures for exceptional cooking results.



Bridge Element for total cooking flexibility.



Convection Ovens provide even cooking and superior baking.



CleanDesign oven interiors have a smooth seamless surface, making cleanup easier than ever.



GE Profile Performance Series™

30" Free-Standing CleanDesign Convection Range

JB970SB Stainless steel

- Large 3.7 cu. ft. capacity oven
- Two 7" ribbon heating elements with connecting bridge element
- One dual 6"/9" and one 6" ribbon heating element
- **5th element warming zone**
- Easy-view hot lights
- **Stainless steel oven door with stainless tubular handle**
- Three oven shelves, one off-set
- Automatic meat thermometer
- Automatic oven light/pad



GE Profile Performance Series™

30" Free-Standing CleanDesign Convection Range

JB960TB True white

- Largest* oven in America
- Super large 4.5 cu. ft. capacity oven
- CleanDesign oven interior
- Right rear 6" burner with warming option
- **Two 7" ribbon heating elements with connecting bridge element**
- One dual 6"/9" and one 6" ribbon heating element
- Easy-view hot lights
- One-piece upswept cooktop
- Frameless glass oven door with Sure Grip handle
- Automatic self-clean oven latch
- Big View window
- Three oven shelves, one off-set
- Automatic meat thermometer
- Automatic oven light/pad

JB960WB White on white (not shown)

JB960CB Bisque (not shown)

JB960AB Almond on almond (not shown)

JB960BB Black on black (not shown)

*Among leading manufacturers' brands

Not all features available on all models. For additional features, specifications and color availability, refer to pages 192-193.



GE Profile Performance Series™

30" Free-Standing CleanDesign Convection Range

JB940BB Black on black

- Largest* oven in America • Super large 4.5 cu. ft. capacity oven • **CleanDesign oven interior** • Right rear 6" burner with warming option • One dual 6"/9", one 8", and two 6" ribbon heating elements
- Easy-view hot lights • One-piece upswept cooktop
- Frameless glass oven door with Sure Grip handle
- Automatic self-clean oven latch • Big View window • **Three oven shelves, one off-set**
- **Automatic meat thermometer** • Automatic oven light/pad

JB940WB White on white (not shown)

JB940CB Bisque (not shown)

JB940AB Almond on almond (not shown)



GE Profile

30" Free-Standing CleanDesign Convection Range

JBP85WB White on white

- Largest* oven in America • Super large 4.5 cu. ft. capacity oven • Right rear 6" burner with warming option • One dual 6"/9", one 8", and two 6" ribbon heating elements
- Easy-view hot lights • One-piece upswept cooktop • Frameless glass oven door with Sure Grip handle • Automatic self-clean oven latch
- Big View window • Three oven shelves

JBP85CB Bisque (not shown)

JBP85BB Black on black (not shown)

*Among leading manufacturers' brands

Not all features available on all models.

For additional features, specifications and color availability, refer to pages 192-193.

CleanDesign

These models include • Largest* oven in America • Super large 5.0 cu. ft. capacity oven • TrueTemp™ System • Self-cleaning oven • Dual element bake • Six-pass power bake element • SmartLogic™ electronic control • Easy-view hot lights • Patterned glass-ceramic cooktop • One-piece upswept cooktop • Storage drawer • Electronic digital clock and oven controls **Note: bold = feature upgrade from previous model**



Six-Pass Power Bake provides more power, total coverage and even cooking.



Dual Element Bake for even baking and roasting.



6 1/2" / 9" Dual Element saves energy and provides more efficient cooking.

ONLY GE HAS IT!



Largest* Usable Oven Capacity has room enough for cooking an entire meal.

*Among leading manufacturers' brands

Not all features available on all models. For additional features, specifications and color availability, refer to pages 192-193.



GE Profile™

30" Free-Standing CleanDesign Electric Range

JBP79AB Almond on almond

• **QuickSet IV oven controls** (see page 77)
• Glass backguard • One 8", two 6" and one dual 6"/9" ribbon heating elements • Right rear 6" burner with warming option • **Frameless glass oven door with Sure Grip handle** • **Fluorescent cooktop light** • Big view window • **Automatic interior oven light** • **Automatic self-clean oven latch**

JBP79WB White on white (not shown)

JBP79CB Bisque (not shown)

JBP79BB Black on black (not shown)



GE

30" Free-Standing CleanDesign Electric Range

JBP78WB White on white

• QuickSet III oven controls (see page 77)
• **One 8" and two 6", and one dual 6"/9" ribbon heating elements** • **Right rear 6" burner with warming option** • Frameless glass oven door with designer-style handle • **Big view window**

JBP78AB Almond on almond (not shown)

JBP78BB Black on black (not shown)



GE

30" Free-Standing CleanDesign Electric Range

JBP66WB White on white

• **QuickSet III oven controls** (see page 77)
• Six-pass power bake element • Easy-view hot lights • **Frameless glass oven door with designer-style handle** • Standard window

JBP66AB Almond on almond (not shown)

JBP66BB White or Almond (not shown)

These models include • Largest* Oven in America • Super large 5.0 cu. ft. capacity oven • Dual element bake • Frameless glass oven door • Designer-style handle • Two 8" and two 6" ribbon heating elements • QuickSet II oven controls (see page 71) • Auto oven shut-off with override • Easy-view hot lights

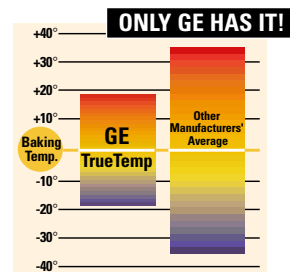
Note: bold = feature upgrade from previous model



GE
30" Free-Standing CleanDesign Electric Range
JBP65WC White on white
• Self-cleaning oven • **Warming zone**



GE
30" Free-Standing CleanDesign Electric Range
JBP64BB White or Almond
• Self-cleaning oven
JBP64WB White on white (not shown)



SmartLogic™ Electronic Control delivers more consistent oven temperatures for exceptional cooking results.



Six-Pass Power Bake provides more power, total coverage and even cooking.



Largest* Usable Oven Capacity has room enough for cooking an entire meal.



GE
30" Free-Standing CleanDesign Electric Range
JBP63BB White or Almond
• **Self-cleaning oven**



GE
30" Free-Standing CleanDesign Electric Range
JBS61WC White on white
• Standard clean oven
JBS61BC White or Almond (not shown)



Ribbon Elements direct heat directly to the pan and provide even heat for uniform cooking.

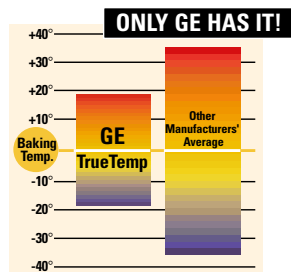
Accessory Information

For easy cleaning of the cooktop, GE provides one scraper and one 2.5-oz. bottle of cleaning creme with each range. For additional supply, call toll-free 1-800-626-2002.

QuickClean™ Self-Clean

These models include • Self-cleaning oven • Dual Element Bake • Frameless glass oven door • Designer-style handle • CleanWell™ cooktop system • Lift-up Cooktop • Plug-in Calrod® heating elements, two 8" and two 6" • Heating element "ON" indicator lights • Removable full-width storage drawer • Four leveling legs • Removable one-piece drip bowls

Note: bold = feature upgrade from previous model



SmartLogic™ Electronic Control delivers more consistent oven temperatures for exceptional cooking results.



GE Profile™

30" Free-Standing QuickClean Electric Range

JBP48AB Almond on almond

- TrueTemp™ System • **Warming option**
- Largest* Oven in America • Super large 5.0 cu. ft. capacity oven • SmartLogic™ electronic controls
- Six-pass power bake element • Right rear 6" burner with warming function • Big View window
- **QuickSet IV oven controls** (see page 77)
- **Sure Grip handle** • **Automatic interior oven light**

JBP48WB White on white (not shown)

JBP48BB Black on black (not shown)



Six Pass Power Bake provides more power, total coverage and even cooking.



Largest* Usable Oven Capacity has room enough for cooking an entire meal.



Clean-Well™ Cooktop System contains spills so clean-up is simple.



GE

30" Free-Standing QuickClean Electric Range

JBP35BB White or Almond

- TrueTemp™ System • Largest* Oven in America • Super large 5.0 cu. ft. capacity oven
- SmartLogic™ electronic controls • Six-pass power bake element • **Big View window**
- QuickSet III oven controls (see page 77)

JBP35WB White on white (not shown)



GE

30" Free-Standing QuickClean Electric Range

JBP30WB White on white

- TrueTemp™ System • Largest* Oven in America
- Super large 5.0 cu. ft. capacity oven • SmartLogic™ electronic controls • Six-pass power bake element
- QuickSet III oven controls (see page 77) • **Deluxe Calrod heating elements** • **Porcelain removable drip bowls**

JBP30AB Almond on almond (not shown)

JBP30BB White or Almond (not shown)

*Among leading manufacturers' brands

Not all features available on all models. For additional features, specifications and color availability, refer to pages 194-195.



GE
 30" Free-Standing QuickClean Electric Range
JBP26WB White on white
 • TrueTemp™ System • Largest* Oven in America • Super large 5.0 cu. ft. capacity oven
 • SmartLogic™ electronic controls • Six-pass power bake element • Standard window
 • QuickSet III oven controls (refer to page 77)
JBP26AB Almond on almond (not shown)
JBP26BB White or Almond (not shown)



Calrod® Heating Elements provide even heat distribution for better cooking performance.



Lift-up cooktop locks into place for easy cleaning.



GE
 30" Free-Standing QuickClean Electric Range
JBP24BB White or Almond
 • Largest* Oven in America • Super large 5.0 cu. ft. capacity oven • Standard window
 • QuickSet II oven controls (see page 77)
JBP24WB White on white (not shown)



GE
 30" Free-Standing QuickClean Electric Range
JBP21WB White on white
 • QuickSet II oven controls (see page 77)
JBP21BB White or almond (not shown)

QuickClean™ Standard Clean

These models include • Clean-Well™ Cooktop System • Heating element “ON” indicator light • Removable full-width storage drawer • Four leveling legs • Removable one-piece chrome drip bowls • Standard clean oven **Note: bold = feature upgrade from previous model**



Lift-up cooktop locks into place for easy cleaning.



Clean-Well™ Cooktop System contains spills so clean-up is simple.



Calrod® Heating Elements provide even heat distribution for better cooking performance.



GE

30" Free-Standing QuickClean Electric Range

JBS27BC White or Almond

- Largest* Oven in America • Super large 5.0 cu. ft. capacity oven • **Lift-up cooktop**
- **Plug-in Calrod® heating elements, two 8" and two 6"** • Electronic clock and minute timer
- **Frameless black glass oven door with window**
- Designer-style handle

JBS27WC White on white (not shown)

JBS27AC Almond on almond (not shown)



GE

30" Free-Standing QuickClean Electric Range

JBS26C White or Almond

- Largest* Oven in America • Super large 5.0 cu. ft. capacity oven • Plug-in Calrod® heating elements, one 8" and three 6"
- **Electronic clock and minute timer**
- Color-matched oven door with window
- Designer-style handle



GE

30" Free-Standing QuickClean Electric Range

JBS07C White on white

- Largest* Oven in America • Super large 5.0 cu. ft. capacity oven • Plug-in Calrod® heating elements, one 8" and three 6"
- Oven door with window • **Designer-style handle** • **Interior oven light switch**

*Among leading manufacturers' brands

Not all features available on all models. For additional features, specifications and color availability, refer to pages 194-195.



GE
 30" Free-Standing QuickClean Electric Range
JBS05Y White or Almond
 • 3.5 cu. ft. capacity oven • Up-front controls
 • Plug-in heating elements, one 8" and three 6"
 • **Color-matched oven door with window**
 • Chrome visor handle • Storage drawer
 (Does not have Clean-Well™ Cooktop System)



GE
 30" Free-Standing QuickClean Electric Range
JBS03BC White or Almond
 • Largest* Oven in America • Super large 5.0 cu. ft. capacity oven • Plug-in Calrod® heating elements, one 8" and three 6"
 • **Frameless solid black glass oven door • Designer-style handle**
JBS03C White or Almond (not shown)
 • Solid color-matched oven door • Chrome visor handle

40" Self-Cleaning & Standard Clean

These models include • Storage drawer • Lift-off oven door with window • Interior oven light • Two 6" and two 8" heating elements

Note: bold = feature upgrade from previous model



Easy-to-use Electronic Controls provide cooking convenience.



GE
 40" Free-Standing Electric Range
JCP67Y White on white
 • **Self-cleaning master oven • Standard clean companion oven** • Electronic clock and automatic master oven timer

JCS57Y White on white (not shown)
 • Standard clean oven • Companion storage compartment with shelf
 • Electronic clock and timer

*Among leading manufacturers' brands

Not all features available on all models. For additional features, specifications and color availability, refer to pages 194-195.

GE Spectra™, the next level of innovation in performance and versatility.

GE Profile Performance™—our new design makes cooking bigger and better than ever.

GE has designed a spectacular line of Gas Ranges that will make cooking more pleasurable, more convenient and more versatile than ever before! We have combined all the wonderful benefits of an electric range with the superior performance of gas, plus a few pleasant surprises. Now you can cook bigger, better and more accurately—every time! You will immediately notice the difference, as you spend less time working with the limitations of your range and more time creating extraordinary meals.



Model JGB920WEC

The revolutionary smooth cooktop—changing the way you cook with gas!

Now you can have the cleanability benefits of an electric cooktop with the performance benefits of gas. This cooktop eliminates the burner bowls and drip pans found on traditional gas ranges. Instead, the high and low BTU burners are sealed on the cooktop. The cast grates are placed on top of the smooth cooktop and clean-up is simply a matter of wiping with a damp sponge. We are sure you will agree this is our easiest cleaning gas range ever!



Model JGB920WEC

Convenient warming options.

Now, cooking big is easier than ever with the warming zone *and* warming drawer. Placed conveniently in the center of the cooktop, the warming zone is a great way to keep just about anything warm and ready to enjoy. The pull-out warming drawer is another great way to keep your food warm and fresh until you're ready to serve (see following page for details).



Model JGB920WEC

Convection in gas ranges—GE's first!

These ranges utilize an innovative two-speed convection system that gently circulates heated air evenly throughout the entire oven cavity. Convection ovens are known for their even baking performance and GE Spectra ranges have the most even baking performance of any gas convection oven. And what's more, you'll be cooking with TrueTemp™, the most accurate oven in America.

The #1 Rated* gas range is now more versatile.



Model JGBP86WEB



Keep food warm and ready to serve.

Cook more at the same time with the new warming drawer. It does more than hold food at serving temperature, it also helps in food preparation. Fix one or more side dishes ahead of the dinner hour and slip them into the warming drawer, conveniently located under the oven. (Models JGBP90/86/85/79)



Not too hot,
not too cool.

The warming drawer has its own temperature control. This allows you to maintain the desired temperature for your side dishes before serving. Unpredictable warming temperatures are now a thing of the past!



Model JGBP90MEB

The sleek new appearance of gas.

The new look of our GE Profile™ gas range is not only more attractive and stylish, but cleans-up quickly and easily. Designed so nothing can hide and collect in exposed cracks, cleaning your gas range will be smooth, swift and easier than ever.

*By a leading consumer magazine.

Self-Cleaning: Sealed Burners

- These models include** • TrueTemp™ System • Warming drawer • SmartLogic™ electronic control • Extra-large self-cleaning oven
- Electronic clock and automatic oven timer • Sealed burners • Precise Simmer burner • Two Maximum Output burners • Three oven racks
 - Six embossed rack positions • In-oven broiling • Extra-large broiler pan with grid • Interior oven light • Electronic pilotless ignition

Note: bold = feature upgrade from previous model



The revolutionary Smooth Cooktop—changing the way you cook with gas.

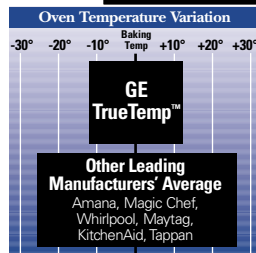


The Warming Zone is a great way to keep food warm and ready to enjoy.



Convection Gas Ovens—GE's first.

ONLY GE HAS IT!



TrueTemp™ System.
"The Most Accurate Oven in America."

*Among leading manufacturers' brands.

Not all features available on all models. For additional features, specifications and color availability, refer to page 196.



GE Profile Performance™

30" Free-Standing Convection Gas Range with Warming Drawer

JGB920WEC White on white

- Smooth ceramic glass cooktop with warming zone
- Warming zone hot light • Scratch-resistant glass backguard • QuickSet V glass touch oven controls with digipad entry; convection conversion; auto oven shut-off with override; start pad; delay clean option and self-clean cool down time display • Automatic self-clean lock • Two-speed convection oven
- Convection Bake • Convection Roast • Frameless glass oven door with Big View window • Sure Grip handle • Designer-style control knobs • Fluorescent cooktop light • Automatic meat thermometer
- Stainless steel insert included with warming drawer

JGB920CEC Bisque (not shown)

JGB920BEC Black on black (not shown)



GE Profile Performance™

30" Free-Standing Convection Gas Range with Warming Drawer

JGB910BEC Black on black

- QuickSet V glass touch oven controls with digipad entry; **convection conversion**; auto oven shut-off with override; start pad; delay clean option and self-clean cool down time display • Automatic self-clean lock
- Two-speed convection oven • Convection Bake • Convection Roast • Frameless glass oven door with Big View window • Sure Grip handle • Designer-style control knobs • One-piece upswept porcelain-enameled cooktop • One-piece drip pans • Fluorescent cooktop light • Automatic meat thermometer • **Stainless steel insert included with warming drawer**

JGB910WEC White on white (not shown)

JGB910CEC Bisque (not shown)



GE Profile™

30" Free-Standing Commercial-Style Gas Range with Warming Drawer

JGBP90MEB Brushed aluminum

- QuickSet V oven controls with digipad entry; auto oven shut-off with override; start pad; delay clean option and self-clean cool down time display
- Automatic self-clean lock • **Brushed aluminum oven door with Big View window** • Professional-style handle and control knobs • One-piece upswept porcelain-enameled cooktop • Professional cooktop grates with rubber feet • Continuous grate surface

**GE Profile™**

30" Free-Standing Gas Range
with Warming Drawer

JGBP86WEB White on white

- Scratch resistant glass backguard
- QuickSet V oven controls with digipad entry; auto oven shut-off with override; start pad; delay clean option and self-clean cool down time display • Automatic self-clean lock
- Fluorescent cooktop night light • Frameless glass oven door with Big View window
- Sure Grip handle • Designer-style control knobs • One-piece upswept porcelain-enameled cooktop • **Professional extra-large cast iron grates** • **Continuous grate surface**
- One-piece drip pans

JGBP86CEB Bisque (not shown)**JGBP86AEB** Almond on almond (not shown)**JGBP86BEB** Black on black (not shown)

Sealed Burner Design helps contain spills from dripping beneath cooktop for easy clean-up.



Precise Simmer Burner with 600 BTUs allows for low, even heat distribution for delicate foods and sauces.



Maximum Output Burners, with 12,000 BTUs, provide maximum output for fast heat-up and boiling.

**GE Profile™**

30" Free-Standing Gas Range
with Warming Drawer

JGBP85BEB Black on black

- Scratch resistant glass backguard • **QuickSet V oven controls with digipad entry; auto oven shut-off with override; start pad; delay clean option and self-clean cool down time display** • **Automatic self-clean lock**
- Fluorescent cooktop night light • Frameless glass oven door with Big View window • Sure Grip handle
- Designer-style control knobs • One-piece upswept porcelain-enameled cooktop • Square heavy cast grates with rubber feet • One-piece drip pans

JGBP85WEB White on white (not shown)**JGBP85CEB** Bisque (not shown)**JGBP85AEB** Almond on almond (not shown)**GE Profile™**

30" Free-Standing Gas Range
with Warming Drawer

JGBP79AEB Almond on almond

- QuickSet IV oven controls with digital temperature display; auto oven shut-off with override; start pad; delay clean option; self-clean cool down time display and control lock capability • Scratch-resistant porcelain-enameled backguard • Glass oven door with Big View window • **Sure Grip handle** • Designer-style control knobs • One-piece upswept porcelain-enameled cooktop • **Square heavy cast grates with rubber feet** • One-piece drip pans

JGBP79WEB White on white (not shown)**JGBP79CEB** Bisque (not shown)**JGBP79BEB** Black on black (not shown)

Self-Cleaning: Sealed Burners

These models include • Extra-large self-cleaning oven • Six embossed rack positions • QuickSet oven controls • Sealed burners • Electronic pilotless ignition • One-piece, upswept porcelain-enameled cooktop • Frameless glass oven door • Designer-style handle • In-oven broiling • Extra-large broiler pan • Two oven racks • Interior oven light

Note: bold = feature upgrade from previous model



GE

30" Free-Standing Gas Range

JGBP35BEA Black on black

• TrueTemp™ System • SmartLogic™ electronic control • **QuickSet IV oven controls with digital temperature display; auto oven shut-off with override; start pad; delay clean option; self-clean cool down time display; and control lock capability** • Precise Simmer burner • Maximum Output burner • Big View window • Storage drawer • Black medium cast square grates • Black porcelain-enameled drip pans

JGBP35WEA White on white (not shown)

JGBP35AEA Almond on almond (not shown)



GE

30" Free-Standing Gas Range

JGBP30BEA White or Almond

• TrueTemp™ System • SmartLogic™ electronic control • **QuickSet III oven controls with digital temperature display; auto oven shut-off and audible preheat signal** • Precise Simmer burner • **Maximum Output burner** • **Big View window** • Storage drawer • **Black deluxe porcelain steel square grates** • **Black porcelain-enameled drip pans**

JGBP30WEA White on white (not shown)

JGBP30AEA Almond on almond (not shown)



GE

30" Free-Standing Gas Range

JGBP28BEA White or Almond

• QuickSet II oven controls with digital temperature display; auto oven shut-off and audible preheat signal • **Storage drawer** • Black standard porcelain steel square grates • **Frameless black glass oven door with window**

JGBP28WEA White on white (not shown)



GE

30" Free-Standing Gas Range

JGBP27BEA White or Almond

• QuickSet II oven controls with digital temperature display; auto oven shut-off and audible preheat signal • Black standard porcelain steel square grates

XL44™ Self-Cleaning: Standard Burners

- These models include** • Extra-large self-cleaning oven • Six embossed rack positions • Electronic pilotless ignition • QuickSet oven controls • Frameless glass oven door with designer-style handle • Lift-up cooktop • Square, standard porcelain steel grates • One-piece, porcelain-enameled cooktop and subtop • In-oven broiling • Extra-large broiler pan with grid • Two oven racks • Interior oven light

Note: bold = feature upgrade from previous model

ONLY GE HAS IT!



Largest* Usable Oven Capacity has room enough for cooking an entire meal.



Sixth Embossed Rack Position increases cooking flexibility.



GE

30" Free-Standing XL44™ Gas Range

JGBP26BEA White or Almond

- **TrueTemp™ System** • SmartLogic™ electronic control • **QuickSet III oven controls with digital temperature display; delay bake option; auto oven shut-off and audible preheat signal**
- **Black porcelain-enameled drip pans**
- **Frameless black glass oven door with window** • Storage drawer

JGBP26WEA White on white (not shown)

JGBP26AEA Almond on almond (not shown)



GE

30" Free-Standing XL44™ Gas Range

JGBP24BEA White or Almond

- QuickSet II oven controls with digital temperature display; auto oven shut-off and audible preheat signal

*Among leading manufacturers' brands.

Not all features available on all models. For additional features, specifications and color availability, refer to page 197.

XL44™ Standard Clean: Sealed Burners

- These models include** • Extra-large standard clean oven • Six embossed rack positions • Electronic clock and timer
- Sealed burners • Porcelain steel square grates • Electronic pilotless ignition • One-piece, upswept porcelain-enameled cooktop
 - Slide-out broiler drawer • Extra-large broiler pan with grid
- Note: bold = feature upgrade from previous model**

ONLY GE HAS IT!



Largest* Usable Oven Capacity has room enough for cooking an entire meal.



Sealed Burner Design helps contain spills from dripping beneath cooktop for easy clean-up.



Sixth Embossed Rack Position increases cooking flexibility.



GE

30" Free-Standing XL44™ Gas Range

JGBS23AEA Almond on almond

- **Frameless almond glass oven door with Big View window** • Designer-style handle
- **Precise Simmer burner** • **Maximum Output burner** • **Taupe porcelain-enameled drip pans** • Interior oven light

JGBS23WEA White on white (not shown)

- Grey porcelain-enameled drip pans

JGBS23BEA White or Almond (not shown)

- Black porcelain-enameled drip pans



GE

30" Free-Standing XL44™ Gas Range

JGBS22BEA White or Almond

- **Frameless black glass oven door with window** • **Designer-style handle**
- **Interior oven light**



GE

30" Free-Standing XL44™ Gas Range

JGBS21PEA White or Almond

- Solid porcelain-enameled oven door
- Chrome visor handle

*Among manufacturers' brands.

Not all features available on all models. For additional features, specifications and color availability, refer to page 198.

XL44™ Continuous & Standard Clean: Standard Burners

These models include • Six embossed rack positions • Electronic pilotless ignition • Lift-up cooktop • Square, standard porcelain steel grates • Porcelain-enameled cooktop • Easy-clean porcelain-enameled subtop • Slide-out broiler drawer • Extra-large broiler pan with grid • Two oven racks • Interior oven light

Note: bold = feature upgrade from previous model



GE
30" Free-Standing XL44™ Gas Range

JGBC20BEA White or Almond
• Extra-large continuous clean oven
• Electronic clock and timer • **Frameless black glass oven door with designer-style handle** • One-piece upswept cooktop

JGBC20WEA White on white (not shown)

JGBS20BEA White or Almond (not shown)
• Extra-large standard clean oven

JGBS20WEA White on white (not shown)



GE
30" Free-Standing XL44™ Gas Range

JGBC17PEA White or Almond
• **Extra-large continuous clean oven**
• Electronic clock and timer
• **Color-matched porcelain-enameled oven door with designer-style handle**
• One-piece upswept cooktop

JGBS17PEA White or Almond (not shown)
• Extra-large standard clean oven



GE
30" Free-Standing XL44™ Gas Range

JGBS15PEA White or Almond
• Extra-large standard clean oven • **Electronic clock and timer** • Color-matched porcelain-enameled oven door with window
• Chrome visor handle • Electronic pilotless ignition • Square standard porcelain steel grates • Interior oven light • Drop-down broiler drawer



GE
30" Free-Standing XL44™ Gas Range

JGBS07PEA White on white
• Extra-large standard clean oven
• **White porcelain-enameled oven door with designer-style handle** • Standard window • **Interior oven light**



GE
30" Free-Standing XL44™ Gas Range

JGBS04BEA White or Almond
• **Frameless solid black glass oven door with designer-style handle** • **Extra-large standard clean oven**

JGBS04BPA White or Almond (not shown)
• Standing pilot ignition

JGBS04PEA White or Almond (not shown)
• Solid porcelain-enameled oven door with chrome visor handle

JGBS04PPA White or Almond (not shown)
• Standing pilot ignition



GE
30" Free-Standing XL44™ Gas Range

JGBS03PPA White or Almond
• Solid porcelain-enameled oven door with chrome visor handle • Standing pilot ignition

Not all features available on all models. For additional features, specifications and color availability, refer to page 198.

Venting Options

Telescopic Downdraft Systems

These models include • 500 CFM performance • Variable speed fan control • Raises to 7" over cooktop surface • Retracts when not in use • Ideal for island or peninsula installations • 3-1/4" x 10" rectangular duct **Note: bold = feature upgrade from previous model**



Raise/lower vent switch provides convenience of operation.



Note: Approved for use with all GE Profile Performance™, GE Profile™ and GE electric and sealed burner gas cooktops. Not approved for use with standard burner gas cooktops.

GE Profile Performance Series™

Telescopic Downdraft Systems

JVB96SA Stainless steel

- 36" width

JVB93SA Stainless steel (not shown)

- 30" width

These models include • 500 CFM performance • Upfront variable speed fan with slide control • Raises to 8-3/4" over cooktop surface • Retracts when not in use • Ideal for island or peninsula installations • Use optional GE accessory cover (JXBC57) for outdoor installation of blower or the indoor blower mounting kit (JXRB57) for indoor remote mounting of the blower **Note: bold = feature upgrade from previous model**



Separate remote switch to raise/lower vent provides installation flexibility and convenience of operation. (only available on JVB67)



GE Profile™

Telescopic Downdraft Systems

JVB67AWW White on white

- 36" width

- **Separate remote switch to raise/lower vent**

JVB67ACC Bisque (not shown)

JVB67ABB Black on black

(not shown)



GE Profile™

Telescopic Downdraft Systems

JVB37ABB Black on black

- 30" width

JVB37AWW White on white

(not shown)

JVB37ACC Bisque (not shown)

Note: Approved for use with all GE Profile Performance™, GE Profile™ and GE electric and sealed burner gas cooktops. Not approved for use with standard burner gas cooktops.

Cooktop Sold Separately

Slide-Out Hoods

These models include

- See-through glass visor slides in and out • 300 CFM performance with variable speed fan control
- Auto heat sensor
- Compact housing leaves ample shelf space behind cabinet doors • Vertical exhaust with 3-1/4" x 10" rectangular duct

Note: bold = feature upgrade from previous model



GE Profile Performance Series™ Slide-Out Hoods

JV960SA Stainless steel
• 36" width • Cooktop light

JV930SA Stainless steel (not shown)
• 30" width • Cooktop light



GE Profile™

36" Slide-Out Hoods

JV696S Bisque
• Cooktop light

JV695S White on white (not shown)

JV694S Black on black (not shown)

NEW COLOR!

30" Slide-Out Hoods

JV396S Bisque (not shown)
• Cooktop light

JV395S White on white (not shown)

JV394S Black on black (not shown)

Hoods



GE High Performance and Performance Hoods are designed with an easy-to-clean continuous surface and two large filters that can be cleaned at the sink or dishwasher.

The High Performance hoods are recommended for use with gas cooktops and grill/griddle cooktops. Powerful CFM performance draws smoke and odors up and out of the kitchen.



GE High Performance Hood

JV376V White on white or Black on black
• 30" width • Rotary controls • 2 cooktop lights
• Night Light setting • Variable speed fan control
• **Vertical or rear exhaust (410/380 CFM)**
• 3-1/4" x 10" rectangular duct



GE Performance Hoods

JV356V White on white, Black on black or Almond on almond
• 30" width • Rotary controls • **Variable speed fan control • 250 CFM (max.) • 2 cooktop lights**
• Night Light setting • Convertible exhaust options (rectangular or non-vented) • Rectangular damper included

JV656V White on white, Black on black or Almond on almond (not shown)
• 36" width



GE Deluxe Hood

JV347X White on white, Black on black or Almond on almond
• 30" width • **Rotary control • Three-speed fan • Cooktop light with Night Light setting • Light cover • Convertible exhaust (Shipped in non-vented configuration, convertible to round or rectangular exhaust.)** • Rectangular damper included

JXDA22 round damper accessory, available at additional cost.



GE Standard Hoods

JV327X White or Almond
• 30" width • 7" round duct • Easy-to-use rocker switches • Two-speed fan • Cooktop light

JXDA22 round damper accessory, available at additional cost.

JV337X White or Almond (not shown)
• 3-1/4" x 10" rectangular duct
• Rectangular damper included

JN327X White or Almond (not shown)
• Non-vented

Not all features available on all models. For additional features, specifications and color availability, refer to pages 199-200.

GE Microwaves rated best in their category by a leading consumer magazine.



GE is the best source for microwave ovens. GE microwaves were ranked #1 by a leading consumer magazine in the categories of mid-sized countertop (JE1060), compact countertop (JE740), and over-the-range (JVM1660). No other brand had so many #1 rankings.



No matter what type of microwave your customers are looking for, GE is the brand!

A space-saving design with installation flexibility.



Before

JE1660WB

GE—The Original Spacemaker™

In 1979, GE invented the Spacemaker™ over-the-range microwave. A powerful, two-speed exhaust fan, rated 300 CFM, and cooktop light, integrated into the base of the microwave oven eliminates the need for a range hood. Installing an over-the-range microwave oven increases valuable countertop space in the kitchen.



After

JVM1660WB

GE innovation combined with space-saving design—exactly what you've come to expect.

Microwave Wall Ovens

These models include • 1.0 cu. ft. oven cavity • 800 watts* • Express Cook • Sensor Cooking Controls for Popcorn, Reheat, Beverage and Cook Pads **Note: bold = feature upgrade from previous model**

Sensor Convection/Microwave



Convection/Microwave Wall Ovens provide a true built-in appearance. JEB1095 and JEB1055 now fit a 27" or 30" cutout. A trim kit (included with all models) enables the unit to be adapted to a 30" width. The models are available in classic white and black. There is also a stainless steel model available in the GE Profile Performance Series.™



Shown in 30" width

GE Profile Performance Series™

30" or 27" Convection Microwave Wall Oven

JEB1095SB Stainless steel

- Convection Cooking
- Combination Roast (probe)
- Combination Cooking

JEB1095WB White on white (not shown)

JEB1095BB Black on black (not shown)



Sensor Controls take the guesswork out of cooking.

Sensor Microwave



Convection cooking produces brown exteriors and moist interiors.



Shown in 27" width

GE Profile™

30" or 27" Microwave Wall Oven

JEB1055WB White on white

- Auto Roast (probe)

JEB1055BB Black on black (not shown)



JEB1055 control panel shown

*IEC-705 Test Procedure

Not all features available on all models. For additional features, specifications and color availability, refer to page 204.

SpacemakerPlus™: Convection/Microwave

These models include • 1.1 cu. ft. oven cavity • 825 watts* • Sensor Cooking Controls for Popcorn, Beverage, Reheat, Canned Vegetables, Fresh Vegetables and Frozen Vegetables Pads • Combination Microwave/Convection Oven • Sensor Combination (Chicken, Fish, Potato) • Combination Bake Hi/Lo • Combination Roast (probe) • Convection Broil Hi/Lo • Convection Bake • Auto Defrost/Time Defrost • SmartControl System with Interactive Display • Convection Rack/Broil Pan • Temp Cook (probe) • Programmable Nite Light

ONLY GE HAS IT!



The Sensor Combination pads take the guesswork out of cooking.



Convection Cooking provides a browned crisp exterior and moist interior.



Combination Bake/Hi uses 30% microwave power, combined with convection cooking for faster cooking results.



GE Profile Performance Series™

Spacemaker Plus™

JVM1190CB Bisque

JVM1190SY Stainless steel (not shown)

JVM1190WY White on white (not shown)

JVM1190AY Almond on almond (not shown)

JVM1190BY Black on black (not shown)

*IEC-705 Test Procedure

Not all features available on all models. For additional features, specifications and color availability, refer to page 202.

Spacemaker™: Sensor/Convenience Cooking

These models include • 1.6 cu. ft. oven cavity • 1000 watts* • CircuWave™ 1000 Cooking System • Turntable On/Off • SmartControl System with Interactive Display • Help Pad • Timer On/Off • Full-View Cooktop Lighting • Programmable Nite Light • Time Cook I & II • Auto Defrost/Time Defrost • Add 30 Seconds • Instant On Controls • Beeper Volume Control • Child Lock-Out • Powerful 300 CFM Two-Speed, High-Capacity Exhaust Fan • Easy Mount Installation **Note: bold = feature upgrade from previous model**



Sensor Controls automatically eliminate guesswork.

ONLY GE HAS IT!



Message Center allows you to leave audio messages for your family.

ONLY GE HAS IT!



Appointment Scheduler Pad allows you to schedule and input future appointments and will remind you as well.



This powerful 300 CFM rated venting system will remove smoke and steam from your cooktop. For more information, see video cassette, Pub. No. 4-V018.

*IEC-705 Test Procedure

Not all features available on all models. For additional features, specifications and color availability, refer to page 203.



GE Profile™

Spacemaker

JVM1660SB Stainless steel

• **Sensor Cooking Controls** for Popcorn, Vegetables, **Chicken pieces**, Reheat, Beverage, Potatoes, **Ground meats**, and **Fish fillets Pads** • **Audio Message Center** • **Appointment Scheduler** • **Two Custom Pads** • **Two Removable Cooking Racks** • **Temp Cook/Roast (probe)** • **Clock Saver** • **Cookbook**



JVM1660WB

White on white (not shown)

JVM1660CB

Bisque (not shown)

JVM1660AB

Almond on almond (not shown)

JVM1660BB

Black on black (not shown)



GE

Spacemaker

JVM1650WB White on white

• **Sensor Cooking Controls** for **Popcorn**, **Reheat**, **Beverage**, **Potato and Vegetables Pads** • **Convenience Controls** for **Cook and Snack Pads** • **Removable Cooking Rack**



JVM1651WB

White on white (not shown)

• Non-vented model

JVM1650CC

Bisque (not shown)

JVM1651CC

Bisque (not shown)

• Non-vented model

JVM1650AB

Almond on almond (not shown)

JVM1651AB

Almond on almond (not shown)

• Non-vented model

JVM1650BB

Black on black (not shown)

JVM1651BB

Black on black (not shown)

• Non-vented model

Spacemaker™: Convenience Cooking

These models include • SmartControl System with Interactive Display • Time Cook I & II • Delay Start • Reminder • Auto/Time Defrost • Express Cook • Add 30 Seconds • 10 power levels • Instant On Controls • Timer On/Off • Child Lock-Out • Cooking Complete Reminder • Full-View Cooktop Lighting • Easy Mount Installation • Powerful 300 CFM Two-Speed, High Capacity Exhaust Fan

Note: bold = feature upgrade from previous model



Auto Defrost/Time Defrost automatically sets defrosting time and power level.



Convenience Cooking Controls allow you to defrost, cook or reheat at the touch of a pad.



Add 30 Seconds extends cooking time without the hassle of reprogramming.



This powerful 300 CFM rated venting system will remove smoke and steam from your cooktop. For more information, see video cassette, Pub. No. 4-V018.

*IEC-705 Test Procedure

Not all features available on all models. For additional features, specifications and color availability, refer to page 203.



GE

Spacemaker

JVM1640WB White on white

• 1.6 cu. ft. oven cavity • 1000 watts* • Convenience Cooking Controls for Popcorn, Beverage, Cook and Reheat Pads • Turntable On/Off • Beeper Volume Control • Removable Cooking Rack



JVM1640AB

Almond on almond (not shown)

JVM1640BB

Black on black (not shown)



GE

Spacemaker

JVM1630BB Black on black

• 1.6 cu. ft. oven cavity • 1000 watts* • Circuwave™ 1000 Cooking System • Convenience Cooking Controls for Popcorn, Beverage and Reheat Pads • Turntable



JVM1631BB

Black on black (not shown)

• Non-vented model

JVM1630WB

White on white (not shown)

JVM1631WB

White on white (not shown)

• Non-vented model



GE

Spacemaker

JVM1420WB White on white

• 1.4 cu. ft. oven cavity • 950 watts* • Convenience Cooking Controls for Popcorn, Beverage and Reheat Pads • CircuWave™ Plus Cooking System • Turntable



JVM1420BB

Black on black (not shown)

Refrigeration

Cooking Products

Microwave Ovens

Dishwashers

Clothes Care

Water Systems

Air Conditioning

Countertop: Convection/Microwave

These models include • 1.3 cu. ft. oven cavity • 850 watts* • Sensor Cooking Controls for Popcorn, Reheat, Beverage and Cook Pads • Turntable • Time Cook I & II • Combination Cook • Combination Roast • Convection Cook • 10 power levels • SmartRack • Auto Defrost • Kitchen Timer • Delay Start • Express Cook • Deluxe Cookbook **Note: bold = feature upgrade from previous model**



Convection Cooking produces golden brown exteriors and moist interiors.



Combination Cooking combines microwave and convection cooking.



The SmartRack provides two levels of convection cooking.



GE Profile Performance Series™
Microwave/Convection Countertop
JE1390WA White on white

Model shown with trim kit**



GE Profile Performance Series™
Microwave/Convection Countertop
JE1390GA Black with greystone case

Model shown on countertop



*IEC-705 Test Procedure

**Optional Trim Kit—Custom Trim kits available in both 27" and 30" configurations at an additional cost. See page 107 to complete installation.

Not all features available on all models. For additional features, specifications and color availability, refer to page 205.

Countertop: Sensor Microwaves

These models include • Scrolling Display • Sensor Cooking Controls for Popcorn, Beverage, Reheat, Vegetable, Potato and Chicken/Fish Pads • Time Cook I & II • Auto Defrost/Time Defrost • Express Cook • Add 30 Seconds • 10 power levels • Instant On Controls • Timer On/Off • Child Lock-Out • Delay Start • Reminder • Cooking Complete Reminder • Variable Beeper Volume

Note: bold = feature upgrade from previous model



Sensor Controls take the guesswork out of cooking.



The Scrolling Display is easy to read and a helpful cooking guide.



GE Profile™

Sensor Countertop

JE1860SB Stainless steel

• Extra-large 1.8 cu. ft. oven cavity • 1100 watts* • Turntable On/Off

Model shown with trim kit**



JE1860WB

White on white (not shown)

JE1860CB

Bisque (not shown)

JE1860GB

Black with greystone case (not shown)



GE Profile™

Sensor Countertop

JE1660WB White on white

• Full-size 1.6 cu. ft. oven cavity • 1100 watts* • Turntable • Optional trim kit available**



JE1660GB

Black with greystone case (not shown)



GE Profile™

Sensor Countertop

JE1360GB Black with greystone case

• Family-size 1.3 cu. ft. oven cavity • 1100 watts* • Turntable



JE1360WB

White on white (not shown)

*IEC-705 Test Procedure

**Optional Trim Kit—Custom Trim kits available in both 27" and 30" configurations at an additional cost. See page 107 to complete installation.

Not all features available on all models. For additional features, specifications and color availability, refer to page 205.

Countertop: Sensor Microwaves (continued)

These models include • Scrolling Display • Sensor Cooking Controls for Popcorn, Beverage, Reheat, Vegetable, Potato and Chicken/Fish Pads • Time Cook I & II • Auto Defrost/Time Defrost • Express Cook • Add 30 Seconds • 10 power levels • Instant On Controls • Timer On/Off • Child Lock-Out • Delay Start • Reminder • Cooking Complete Reminder • Variable Beeper Volume

Note: bold = feature upgrade from previous model



Sensor Controls take the guesswork out of cooking.



The Scrolling Display is easy to read and a helpful cooking guide.



The versatility of a GE countertop microwave fits any consumer's needs. The ability to build into a wall frees up valuable counter space.



GE Profile™

Sensor Countertop

JE1060GB Black with greystone case

• Mid-size 1.0 cu. ft. oven cavity • 1100 watts* • Turntable

JE1060WB White on white (not shown)



GE Profile™

Sensor Countertop

JEM31WA White on white

• Mid-size .9 cu. ft. oven cavity • 800 watts* • Optional trim kit available**

• Optional undercabinet mounting kit available†

JEM31SA Stainless steel (not shown)

JEM31GA Black with greystone case (not shown)



*IEC-705 Test Procedure

**Optional Trim Kit—Custom Trim kits available in both 27" and 30" configurations at an additional cost. See page 107 to complete installation.

†Undercabinet mounting kit—Noted microwave ovens can easily be mounted below your cabinetry, freeing up valuable counter space. A mounting template provides all the necessary measurements for installation on practically any wood or metal cabinets.

Not all features available on all models. For additional features, specifications and color availability, refer to pages 205-206.

Countertop: Convenience Microwaves

These models include • Convenience Cooking Controls for Popcorn, Beverage, Reheat, Snacks and Cook Pads • Turntable
 • Time Cook I & II • Auto Defrost • Time Defrost • Express Cook • Kitchen Timer • Child Lock-Out

Note: bold = feature upgrade from previous model



GE
 Convenience Countertop
JE1840WB White on white
 • **Extra-large 1.8 cu. ft. oven cavity** • 1100 watts* • Optional trim kit available**
JE1840GB Black with greystone case (not shown)



GE
 Convenience Countertop
JE1640WB White on white
 • **Full-size 1.6 cu. ft. oven cavity** • 1100 watts* • **Optional trim kit available****
JE1640AB Almond on almond (not shown)
JE1640GB Black with greystone case (not shown)



GE
 Convenience Countertop
JE1340GB Black with greystone case
 • **Family-size 1.3 cu. ft. oven cavity** • 1100 watts*
JE1340WB White on white (not shown)



GE
 Convenience Countertop
JE1040WB White on white
 • **Mid-size 1.0 cu. ft. oven cavity** • 1100 watts*
JE1040GB Black with greystone case (not shown)



GE
 Convenience Countertop
JE740WY White on white
 • **Compact .7 cu. ft. oven cavity** • 700 watts*
 • Optional undercabinet mounting kit available†
JE740GY Black with greystone case (not shown)

*IEC-705 Test Procedure

**Optional Trim Kit—Custom Trim kits available in both 27" and 30" configurations at an additional cost. See page 107 to complete installation.

†Undercabinet mounting kit—Noted microwave ovens can easily be mounted below your cabinetry, freeing up valuable counter space. A mounting template provides all the necessary measurements for installation on practically any wood or metal cabinets.

Not all features available on all models.
 For additional features, specifications and color availability, refer to page 205.

Countertop

Note: bold = feature upgrade from previous model



GE
Convenience Countertop
JE835WW White on white
• **Mid-size .8 cu. ft. oven cavity** • **800 watts*** • Convenience Controls for Baked Potato, Vegetables, Dinner Plate, Popcorn, Beverage, Frozen Pizza and **Soup Pads** • **Time Preference**



GE
Convenience Countertop
JE635WW White on white
• **Compact .6 cu. ft. oven cavity** • **600 watts*** • **Convenience Cooking Controls for Baked Potato, Vegetables, Dinner Plate, Frozen Pizza, Popcorn and Beverage Pads** • **Instant On controls** • **Auto Defrost** • **Auto Start** • **Electronic Digital Display with Clock** • **Child Lock-Out**



GE
Countertop
JE520BW Black with greystone case
• **Subcompact .5 cu. ft. oven cavity** • **600 watts*** • **Turntable** • **Electronic touch controls with electronic digital display and clock** • **Time Cook** • **Time Defrost** • **Cooking Complete Reminder** • **10 power levels** • **Optional undercabinet mounting kit available†**
JE520WC White on white (not shown)



GE
Countertop
JE710BA Black with greystone case
• **Compact .7 cu. ft. oven cavity** • **600 watts*** • **Turntable** • **15-minute timer** • **Optional undercabinet hanging kit available†**



GE
Countertop
JE510BW Black with greystone case
• **Subcompact .5 cu. ft. oven cavity** • **600 watts*** • **Turntable** • **15-minute timer** • **Optional undercabinet hanging kit available†**
JE510WC White on white (not shown)

*IEC-705 Test Procedure

†Undercabinet mounting kit—Noted microwave ovens can easily be mounted below your cabinetry, freeing up valuable counter space. A mounting template provides all the necessary measurements for installation on practically any wood or metal cabinets.

Not all features available on all models. For additional features, specifications and color availability, refer to page 206.

Spacemaker II™



Easy Under Cabinet Installation leaves counter space free for food preparation.



GE

Spacemaker II™

- JEM25WY** White on white
- Mid-size .9 cu. ft. oven cavity
 - 800 watts* • Convenience Cooking Controls for Popcorn, Beverage, Reheat, Snacks and Cook Pads
 - Delay Start/Reminder • Time Defrost • Auto Defrost • Time Cook I & II • Express Cook • Instant On Controls • Sound On/Off
 - Optional trim kit available**
 - Optional Undercabinet mounting kit available†

JEM25GY

Black with greystone case (not shown)

Not all features available on all models. For additional features, specifications and color availability, refer to page 206.

Countertop Microwave Optional Oven Trim Kits



30" Deluxe Trim Kit For 1.8 Cu. Ft. Microwave Ovens

This trim kit allows for built-in installation of the 1.8 countertop microwave oven in a wall or cabinet alone, or over a GE 30" single electric wall oven as shown.

30" Deluxe Trim Kits for Models JE1860 and JE1840

JX1830SB—Stainless Steel, JX1830WB—White, JX1830CB—Bisque, JX1830BB—Black

27" Deluxe Trim Kit For 1.8 Cu. Ft. Microwave Ovens (not shown)

The 27" deluxe trim kit allows a 1.8 countertop microwave oven to be built into a wall or cabinet alone, or over a GE 27" single electric wall oven for a complete one-piece built-in integrated appearance.

27" Deluxe Trim Kits for Models JE1860 and JE1840

JX1827SB—Stainless Steel, JX1827WB—White, JX1827CB—Bisque, JX1827BB—Black



30" Deluxe Trim Kit For 1.6 Cu. Ft. Microwave Ovens

This trim kit allows for built-in installation of the 1.6 countertop microwave oven in a wall or cabinet alone, or over a GE 30" single electric wall oven as shown.

30" Deluxe Trim Kits for Models JE1660 and JE1640

JX1530MWW—White, JX1530MAW—Almond, JX1530MBW—Black

27" Deluxe Trim Kit For 1.6 Cu. Ft. Microwave Ovens (not shown)

The 27" deluxe trim kit allows a 1.6 countertop microwave oven to be built into a wall or cabinet alone, or over a GE 27" single electric wall oven for a complete one-piece built-in integrated appearance.

27" Deluxe Trim Kits for Models JE1660 and JE1640

JX1527MWW—White, JX1527MAW—Almond, JX1527MBW—Black



Deluxe Trim Kits For 1.3 Cu. Ft. GE Profile Performance™ Microwave Ovens

Built-in trim kits allow installation in a wall, cabinet alone, or over a GE 30" or 27" single electric wall oven. Use a convection wall oven under these convection microwave ovens for a complete convection cooking center.

30" Deluxe Trim Kits for Model JE1390

JX1330MWW—White, JX1330MBV—Black

27" Deluxe Trim Kits for Model JE1390

JX1327MWW—White, JX1327MBV—Black



Built-In Trim Kit For .9 Cu. Ft. Microwave Ovens

For a custom built-in appearance, this kit allows built-in installation of the Spacemaker II™ microwave oven into a wall or cabinet alone.

Trim Kits for Models JEM31 and JEM25

JX827SS—Stainless Steel Trim Kits

JX827WN—White Trim Kits

JX827BN—Black Trim Kits



Hanging Kit For .5, .7 and .9 Cu. Ft. Microwave Ovens

This hanging kit allows installation under a cabinet.

Hanging Kit for Models JE510, JE520, JE710, JEM25, JEM31

Pub. No. 4-A019

*IEC-705 Test Procedure

**Optional Trim Kit—Custom Trim kits available in both 27" and 30" configurations at an additional cost. See page 107 to complete installation.

†Undercabinet mounting kit—Noted microwave ovens can easily be mounted below your cabinetry, freeing up valuable counter space. A mounting template provides all the necessary measurements for installation on practically any wood or metal cabinets.

Featuring the GE Triton™ Dishwasher.



No pre-rinsing, soaking or scrubbing!

Only GE has three wash arms for improved coverage. Every spot on every dish receives a powerful spray. Eliminate recirculating food particles with 100% Triple Water Filtration and Dual Pumps. Food particles are pulverized by the Piranha™ Hard Food Disposer.

You want clean and quiet?



GE Triton™ Dishwashers deliver both!

Now, you don't have to choose between clean and quiet, because the GE Triton™ Dishwasher delivers both! Thanks to GE's advanced technology and TriClean™ Wash System, you get more than clean, you get a quiet kind of clean. By redirecting the spray jets, more water hits the dishes and less hits the tub and door, keeping more of the noise inside the dishwasher. Combining the ActiveVent, GE Profile™ QuietMotor, PermaTuf® Tub and a blanket of insulation, the QuietPower™ III sound package delivers the "Quietest Dishwasher in the U.S.A." So quiet, you will be talking about it, not over it.

"The cleanest wash you never heard."™

GE Triton™ Dishwashers

These models include • TriClean™ Wash System (3 Wash Arms, 100% Triple Water Filtration with Dual Pumps, Piranha™ Anti-Jamming Hard Food Disposer) • CleanSensor • Electronic Controls • SaniWash • SpeedWash™ and SpeedDry™ • China/Crystal Cycle* • 8-Hour Delay Start • QuietPower™ III sound package • GE Profile™ QuietMotor • ActiveVent • Quiet Water Valve • Trimless appearance • Child lock • Super Capacity Plus Silverware Basket with 2 cell covers

Note: bold = feature upgrade from previous model

ONLY GE HAS IT!



TriClean™ Wash System has 3 Wash Arms that provide complete coverage eliminating pre-rinsing, soaking and scrubbing.

ONLY GE HAS IT!



100% Triple Water Filtration with Dual Pumps eliminates recirculating food particles.

ONLY GE HAS IT!



Piranha™ Anti-Jamming Hard Food Disposer grinds and pulverizes food particles.



SaniWash cycle reduces 99.999% of the bacteria found on dishes.



GE Profile Performance Series™

Triton™ Dishwasher with TriClean™ Wash System "Quietest in the U.S.A."

GSD5940DSS Stainless steel exterior
 • Variable cycles/options • **Power Pre-Soak option**
 • **Super upper rack with 2 rows of fold down tines**
 • **SmartShelf with StemSafe** • **Super lower rack with 4 rows of fold-down tines**

GSD5950DCC Bisque (not shown)

GSD5930DWW White on white (not shown)

GSD5920DBB Black on black (not shown)

GSD5910DAA Almond on almond (not shown)



GE Profile Performance Series™

Triton™ Dishwasher with TriClean™ Wash System "Quietest in the U.S.A."

GSD5630DWW White on white
 • Variable cycles/options

GSD5650DCC Bisque (not shown)

GSD5640FSS Stainless steel (not shown)

GSD5620DBB Black on black (not shown)

GSD5610DAA Almond on almond (not shown)



Not all features available on all models. For additional features, specifications and color availability, refer to page 208.

*Developed in consultation with Lenox,® the leading manufacturer of fine china.

These models include • TriClean™ Wash System (3 Wash Arms, 100% Triple Water Filtration with Dual Pumps, Piranha™ Anti-Jamming Hard Food Disposer) • Electronic Controls • Pots & Pans Cycle • China/Crystal Cycle* • Hi-Temp Rinse option • Hi-Temp Wash option • Delay Start • SmartShelf • Super Capacity Silverware Basket • GE Profile™ QuietMotor • Trimless appearance

Note: bold = feature upgrade from previous model

ONLY GE HAS IT!



TriClean™ Wash System has 3 Wash Arms that provide complete coverage eliminating pre-rinsing, soaking and scrubbing.

ONLY GE HAS IT!



100% Triple Water Filtration with Dual Pumps eliminates recirculating food particles.

ONLY GE HAS IT!



Piranha™ Anti-Jamming Hard Food Disposer eliminates the need to pre-rinse dishes.



GE Profile™ QuietMotor is quieter and more energy efficient.

*Developed in consultation with Lenox,® the leading manufacturer of fine china.

**As rated by consumers in the \$375-\$425 price range.

Not all features available on all models. For additional features, specifications and color availability, refer to page 208.



GE Profile™

Triton™ Dishwasher with TriClean™ Wash System "Quietest in the U.S.A."

GSD5360FSS Black/Stainless

• 5 cycles/34 options • **Light Wash** • **QuietPower™ III** sound package • **ActiveVent** • **Super lower rack with 2 rows of fold down tines** • **Super Capacity Silverware Basket with 2 cell covers**

GSD5350DCC Bisque (not shown)

GSD5330DWW White on white (not shown)

GSD5320DBB Black on black (not shown)

GSD5310DAA Almond on almond (not shown)



GE Profile™

Triton™ Dishwasher with TriClean™ Wash System "Quietest for the money"***

GSD5130DWW White on white

• 4 cycles/26 options • Super racks • **QuietPower™ II** sound package • **Super Capacity Silverware Basket with 1 cell cover**

GSD5120DBB Black on black (not shown)

GSD5110DAA Almond on almond (not shown)



GE Profile™ and Nautilus™ Built-In Dishwashers

These models include • Normal Wash cycle • Heated Dry On/Off option • Trimless appearance • Rinse Only (on dial)

• QuietPower™ Motor **Note: bold = feature upgrade from previous model**



PowerScrub™ Wash System has 2 wash arms mounted on top and lower levels, plus a spray tower in the middle.



QuietPower™ Motor—quieter than GE's previous motor.



HotStart™ Option preheats water allowing dishes to be washed at any time.



PermaTuf® Tub won't chip, peel, crack or rust under normal use.

GE Profile™



GSD4020ZBB Black on black (not shown)

GSD4030ZWW White on white (not shown)

GE Profile™

HPS Exclusive Built-In Dishwasher

GSD4010ZAA

Almond on almond

• 4 cycles/26 options

• **Electronic controls** • **Dual Filtration** • **Piranha™ Hard Food Disposer** • **Deluxe Plus upper rack** • Light Wash cycle • Deluxe lower rack • **Deluxe Split silverware basket** • **QuietPower™ II sound package** • **6-hour Delay Start option** • **Hi-Temp Rinse**

Introducing GE Nautilus™ “All you’ll notice is the clean.”™



GSD3620FBB Black on black (not shown)

GSD3610FAA Almond on almond (not shown)

GE

HPS Exclusive Built-In Dishwasher

GSD3630FWW

White on white

• 6 cycles/31 options • **TouchTap™ controls** • PowerScrub™ Wash System • **QuietPower™ I sound package** • Pots & Pans Cycle

• Plate Warmer cycle (on dial) • Hi-Temp Wash option • Short Wash cycle (on dial) • **Light Wash cycle** • **“Cycle On” indicator light** • Deluxe rack system • Deluxe silverware basket • 6-hour Delay Start option • HotStart™ option



GSD3230FWW White on white (not shown)

GSD3220FBB Black on black (not shown)

GE

HPS Exclusive Built-In Dishwasher

GSD3210FAA

Almond on almond

• 5 cycles/22 options • **PowerScrub™ Wash System** • **Pots & Pans Cycle**

• **QuietPower™ I sound package** • Plate Warmer cycle • **Hi-Temp Wash option** • Short Wash cycle (on dial) • **Deluxe rack system** • Deluxe silverware basket • PermaTuf® Tub • HotStart™ option



GSD2220FBB Black on black (not shown)

GSD2200FWH White front panels/black control panel (not shown)

GSD2200FAD Almond front panels/black control panel (not shown)

GE

HPS Exclusive Built-In Dishwasher

GSD2230FWW

White on white

• 5 cycles/12 options

• **QuietDesign™ sound package** • Standard Wash System • **Plate Warmer cycle (on dial)** • Short Wash cycle (on dial) • Deluxe silverware basket • Deluxe lower rack • HotStart™ option • Heavy Wash cycle

Not all features available on all models. For additional features, specifications and color availability, refer to page 209.

GE Built-In Dishwasher



- GSD2030FWW** White on white (not shown)
- GSD2000FWH** White front panels/black control panel (not shown)
- GSD2000FAD** Almond front panels/black control panel (not shown)

GE
 HPS Exclusive Built-In Dishwasher
GSD2020FBB
 Black on black
 • 4 cycles/9 options • Standard Wash system • HotStart™ option
 • Heavy Wash cycle (on dial)
 • Standard upper rack • Short Wash cycle (on dial) • Deluxe lower rack • Deluxe silverware basket • PermaTuf® Tub

Convertible Dishwashers

- These models include** • SureClean™ Wash System • Pots & Pans cycle • Normal Wash cycle • Short Wash cycle (on dial)
 • Plate Warmer cycle (on dial) • Rinse Only/Hold cycle (on dial) • Heated Dry On/Off option • Hi-Temp Wash option
 • 3 wash levels • Deluxe rack system • Trimless appearance Note: bold = feature upgrade from previous model

ONLY GE HAS IT!



SureClean™ Wash System cleans dishes completely.



GE
 Convertible Dishwasher
GSC3430ZWW/GSC3400ZBL
 • 6 cycles/19 options • 3 wash levels • Light Wash cycle • **Dual Filtration**
 • 6-hour Delay Start option (on dial) • **Piranha™ Anti-Jamming Hard Food Disposer** • **GE QuietMotor** • **Deluxe silverware basket with 1 cell cover**
 • **QuietPower™ I sound package** • Rinse Aid dispenser with indicator



Portable now

ONLY GE HAS IT!



Piranha™ Anti-Jamming Hard Food Disposer eliminates the need to pre-rinse dishes.



GE
 Convertible Dishwasher
GSC3200ZBL/GSC3230ZWW
 • 5 cycles/14 options • 3 wash levels • Deluxe silverware basket
 • Standard Quiet sound package • Deluxe upper rack



Built-in later



Hi-Temp Wash Option allows detergent to work better, dishes come clean.

Not all features available on all models. For additional features, specifications and color availability, refer to pages 209-210.

Spacemaker® Under-the-Sink Dishwashers



Installed under a single sink



Installed under a cooktop



GE Under-the-Sink Dishwasher **GSM2130DWW/GSM2110DAA**

- 5 cycles/8 options • POTSCRUBBER Cycle • Normal Wash cycle • Short Wash cycle (on dial) • Plate Warmer cycle (on dial) • Rinse Only/Hold cycle (on dial)
- 2 wash levels • Spacemaker® upper rack • Deluxe lower rack • Deluxe silverware basket • PermaTuf® Tub

Note: Under-the-Sink dishwashers can be installed under GE cooktop models JP200V and JP201CV. Refer to cooktop installation instructions.

Spacemaker® 18" Built-In Dishwasher



GE Spacemaker 18" Built-In Dishwasher **GSS1800Z**

- 4 cycles/6 options • 2 wash levels • Pots & Pans cycle • Normal Wash cycle (on dial) • Light Wash cycle (on dial) • Standard silverware basket • Heated Dry On/Off option • Reversible color panels Black/Harvest, Almond/White

Not all features available on all models.
For additional features, specifications and
color availability, refer to pages 210-211.

Disposall®—The Original Disposer

These models include • Dishwasher drain connector • Polyester drain housing • Stainless steel flange • Sink stopper • Manual reset protector • Dual swivel impellers • Precutter



GFC1000Y



GFC800Y



GFC700Y/GFC705Y



GFC300Y/GFC305Y



GFC290Y/GFC295Y



GFB1050V

GE Continuous Feed Disposers

GFC1000Y

• Rugged 3/4-horsepower motor • 8000 RPM grinding action
• Super Deluxe sound insulation • Power Boost feature for heavy loads • Fast Mount installation • Removable splash guard

GFC800Y

• 1/2-horsepower motor • 8000 RPM grinding action
• Deluxe sound insulation • Fast Mount installation
• Removable splash guard

GFC700Y

• 1/2-horsepower motor • 8000 RPM grinding action
• Standard sound insulation • Fast Mount installation
• Removable splash guard

GFC705Y

Similar to GFC700Y but has attached line cord.

GFC300Y

• 1/2-horsepower motor • 8000 RPM grinding action
• Fast Mount installation • Removable splash guard

GFC305Y

Similar to GFC300Y but has attached line cord.

GFC290Y

• 1/3-horsepower motor • 8000 RPM grinding action
• Fast Mount installation • Removable splash guard

GFC295Y

Similar to GFC290Y but has attached line cord.

GE Batch Feed Disposers

GFB1050V

• Rugged 3/4-horsepower motor • 2700 RPM grinding action
• Super Deluxe sound insulation • Twist Mount installation

Where local codes permit, any GE Dishwasher and any GE Disposer may be connected to a single 20-amp circuit. White and Almond flanges are available: GPF71 (White) and GPF72 (Almond).

Compactors

These models include • 1/3-horsepower • Removable key lock



GE Compactor

GCG1530ZWW White on white
• 1.4 cu. ft. capacity • Toe pedal opener • Rear wheels allow easy movement and installation
• Heavy-gauge steel construction

GCG1550DCC Bisque (not shown)

GCG1540FSS Stainless steel (not shown)

GCG1520ZBB Black on black

Not all features available on all models. For additional features, specifications and color availability, refer to page 212.

GE's Exclusive Auto Balance Suspension System— keeping your life a little more in balance.



When was the last time you washed your bath mats without your washer taking a walk?

The only washer that can spin out a large bath mat every time without banging, walking or becoming unbalanced. That's because it has a suspension system unlike any other. The washer's tub is suspended from four separate springs that act like shock absorbers. Their movement during the wash cycle helps redistribute uneven loads, even when washing a king-sized comforter—so you won't be left with a sopping mess afterwards.

GE's revolutionary new Precision Care System helps make sure your clothes look better than ever, longer than ever.



GE has a finger on the pulse of today's consumers. Americans are busier than ever and don't have the time, or the energy, to devote to specific laundry care—we just want them to look great.

That's why GE has developed the Precision Care System, so you can have the delicate care a dry cleaner can provide—right at home!



A distinctive GE washer that washes clothes in a totally new way.

Different cycles on old washers only changed the amount of time spent scrubbing clothes. The new GE washer changes time, agitation speed and soak time. The washer is programmed to offer the best combination for different types of fabrics to keep them looking better than ever.



The extraordinary GE washer with PerfectTemp.

PerfectTemp regulates water temperature to maximize detergent's effectiveness and to minimize shrinking, fading and wrinkling.

The GE Precision Care System has convenience features to make your clothes clean as a whistle.

Designed to do so much more than simply wash and dry clothes, the GE Precision Care System treats clothing with the care it deserves. The washer's unique system of clothes care includes great convenience features such as **SpotSpray**—it's like having a sink in your washer; **ColorLogic™ 2000**—takes the guesswork out of doing laundry; **Options Knob**—provides flexibility to fabric cycles; and **Super Capacity Plus**—wash more at one time, saving you time.



WPSE4200AWW/DPSR483EAWW
GE Profile™

GE Precision Care System Convenience Features

Washer Features



Super Capacity Plus with 3.2 cu. ft. Now you can wash more items at one time, saving you time, energy and money.



SpotSpray, a 7-second burst of water, allows you to pretreat a stain before adding the clothes to the wash. It's like having a sink in your washer.



Handwash and Delicate handle ultra fine fabrics with exquisite care.



ColorLogic™ 2000 color-coded cycle buttons take the guesswork out of doing laundry. Just match the colors!



Newly-designed Color Stain Guide Instructions provide helpful laundry tips.

Dryer Features



ONLY GE HAS IT!

The **Exclusive** adjustable Drying Center provides a convenient place to dry garments or hang clothes straight from the dryer, minimizing wrinkling.



QuietDrum™ is wrapped with additional sound-deadening material that muffles buckle and button noises.



Deluxe Dryer Rack allows you to conveniently dry tennis shoes and stuffed animals.



Sensor Dry™ dries clothes more evenly and efficiently. No more underdrying or overdrying your clothes!



ColorLogic™ 2000 color-coded cycle buttons take the guesswork out of doing laundry. Just match the colors!

Not all features available on all models.

Refrigeration

Cooking

Microwave Ovens

Dishwashers

Clothes Care

Water Systems

Air Conditioning

GE Profile Performance Series™ and GE Profile™ Precision Care



These washers include • Rotary controls
 • Cycle countdown • GentlePower™ Agitator
 • PermaTuf II™ Basket • Self-cleaning filter • Bleach dispenser • Fabric softener dispenser • ColorLogic™ 2000 • Exclusive Auto Balance Suspension System
 • PerfectTemp Wash System • 15/30 minute Auto Soak

These dryers include • Wrinkle Care • SensorDry
 • ColorLogic™ 2000 • DuraDrum™ interior • Removable up-front lint filter • Reverse-A-Door • End-Of-Cycle Signal • Dryer interior light

Note: bold = feature upgrade from previous model

Washer Features



Super Capacity Plus with 3.2 cu. ft. Now you can wash more at one time, saving you time, energy and money.



SpotSpray, a 7-second burst of water, allows you to pretreat a stain before adding the clothes to the wash. It's like having a sink in your washer.



The **Exclusive** Auto Balance Suspension System keeps the washer balanced even if the load is unbalanced.



The GentlePower™ Agitator adapts to the clothes load providing gentle and effective washing action.

Dryer Features



Deluxe Dryer Rack allows you to conveniently dry tennis shoes and stuffed animals.



Sensor Dry™ dries clothes more evenly and efficiently. No more underdrying or overdrying your clothes!



The **Exclusive** adjustable Drying Center provides a convenient place to dry garments or hang clothes straight from the dryer, minimizing wrinkling.



GE Profile™ Deluxe Quiet Plus dramatically reduces vibration so you have less noise throughout your home.

Luxury



GE Profile Performance Series™ Super 3.2 cu. ft. Capacity Plus Washer **WPSE5290A**

- Variable water levels • **29 wash cycles**
- SpotSpray • **Hush Quiet** • New stain guide
- **End of cycle signal** • Second Rinse • **Extended spin** • Second Rinse/Extended spin



GE Profile Performance Series™ Super 7.0 Cu. Ft. Capacity Dryer **DPSR513EA/DPSR513GA**

- **13 drying cycles** • **5 heat selections** • Sensor Dry • **Deluxe dryer rack** • **Drying Center**
- **Humidity sensor light** • **Hush Quiet**
- **Dryel Cycle**

Move-Up



GE Profile™ Super 3.2 cu. ft. Capacity Plus Washer **WPSE4270A**

- 4 wash/spin speed combinations • 4 wash/rinse temperatures • **Variable water levels**
- **27 wash cycles** • SpotSpray • **2nd Rinse/Extended Spin** • **New stain guide** • **Deluxe Quiet Plus**



GE Profile™ Super 7.0 Cu. Ft. Capacity Dryer **DPSR405EA/DPSR405GA**

- **SensorDry™** • **10 drying cycles** • 4 heat selections • **Deluxe Quiet** • **Deluxe end of cycle signal**

Entry Level



GE Profile™ Super 3.2 cu. ft. Capacity Plus Washer **WPSE4200A**

- 4 wash/spin speed combinations • 4 wash/rinse temperatures • 4 water levels • **20 wash cycles** • Second Rinse • **Extended spin**
- **Deluxe Quiet**



GE Profile™ Super 7.0 Cu. Ft. Capacity Dryer **DPSR483EA/DPSR483GA**

- **Automatic Dry Control** • **8 drying cycles**
- 4 heat selections • **Deluxe Quiet** • **Interior light** • **Variable end of cycle signal**

GE Precision Care: Contract Exclusive Models



These washers include

- Rotary Controls
- Exclusive Auto Balance Suspension System
- PermaTuf II™ Basket
- Self-cleaning filter
- Quiet-By-Design™
- ColorLogic™ 2000
- Cycle countdown

These dryers include

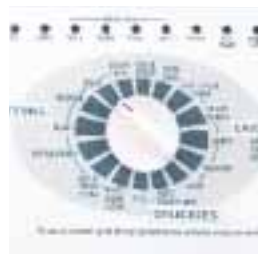
- Rotary Controls
- Removable up-front lint filter
- Reverse-A-Door
- Quiet-By-Design™

Note: bold = feature upgrade from previous model

Washer Features



Super Capacity Plus with 3.2 cu. ft. Now you can wash more at one time, saving you time, energy and money.



Cycle Countdown Lights let you know how much time is left in the cycle.



PermaTuf II™ Basket resists peeling, rusting or flaking for long-term durability.



The **Exclusive** Auto Balance Suspension System keeps the washer balanced even if the load is unbalanced.

Dryer Features



GE dryer provides custom dry cycles to gently care for your clothes.



An extra-wide opening provides easy access to our 7.0 cu. ft. of total dryer capacity.



Reverse-A-Door is the ultimate in flexibility. Change door swing to accommodate your laundry area.



Up-Front Lint Filter is close at hand for cleaning, optimizing dryer performance.

Luxury



GE
 Super 3.2 cu. ft. Capacity Plus Washer
WCSE4230A
 • 4 wash/spin speed combinations • 23 wash cycles
 • Variable water levels • Optional Extra Rinse



GE
 Super 7.0 cu. ft. Capacity Dryer
DCSR483EA/DCSR483GA
 • Automatic Dry Control • 8 drying cycles • 4 heat selections • Reverse-A-Door • Optional Extra Care
 • Interior light • Wrinkle care • Drum lamp

Move-Up

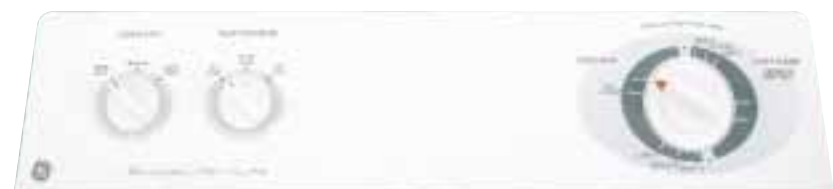


GE
 Super 3.2 cu. ft. Capacity Plus Washer
WCSE3100A
 • 3 wash/spin speed combinations • 10 wash cycles
 • 3 water levels • 3 wash/rinse temperatures



GE
 Extra-Large 6.0 cu. ft. Capacity Dryer
DCXR463EA/DCXR463GA
 • Automatic Dry Control • 6 drying cycles
 • 4 heat selections • Reverse-A-Door
 • Interior light

Entry Level



GE
 Extra-Large 2.7 cu. ft. Capacity Washer
WCXR1070A
 • 1 wash/spin speed combination • 7 wash cycles
 • 3 water levels • 3 wash/rinse temperatures



GE
 Extra-Large 5.7 cu. ft. Capacity Dryer
DCL333EA/DCL333GA
 • Automatic Dry Control • 3 drying cycles
 • 3 heat selections • Reverse-A-Door

Not all features available on all models.
 For additional features, specifications and
 color availability, refer to pages 213-214.

GE Front Loading Clothes Care Models

The solution to a tight situation. Space saving models install in tight areas, while handling family-size loads.

These flexible units can be installed stacked to fit in tight areas, raised and built-in for style and easy access, under a counter to create an efficient work space, or side-by-side for a classic, free-standing look. The GE front loading laundry pair gives you the true flexibility you want, and the capacity you need to finish the laundry a lot faster!

Washer Features



Automatic Water Fill eliminates guesswork and water waste. Automatically adjusts water level to size and type of load. Water fill level remains below the door.



Automatic Dispenser automatically dispenses detergent, bleach and fabric softener at just the right time in the wash cycle.



Stack installation—Stacking kit included with dryer.

Dryer Feature



The sturdy Dryer Rack is designed to dry items such as washable sneakers and stuffed animals, and is easy to insert and remove.



Built-in installation

Not all features available on all models.



GE

120V Front-loading Washer

WSXH208A White on white

- High efficiency washer • 8 cycles: Regular (Heavy Soil, Medium Soil), Permanent Press (Medium Soil, Light Soil), Knits/Delicates, Pre-Wash, Extra-Rinse Cycle/Auto Option, 3 standard rinse cycles
- 4 wash/rinse temperatures • Automatic water level adjustment • Fabric Softener dispenser
- Bleach dispenser



GE

240V Front-loading Dryer

DSXH43EA/GA White on white

- Tumble drying • 4 Time Dry cycles (Regular, Permanent Press, Knits/Delicates, Air Fluff)
- 3 Auto Dry cycles (Regular, Permanent Press, Knits/Delicates) • 3 temperature options • Air Fluff (No Heat) • End-of-cycle signal • Drum light
- Reverse-A-Door

Unitized Spacemaker® Washer/Dryer Models



GE

Full Size 27" Unitized Washer/Dryer

WSM2700W Electric

WSM2780W Gas

White on white or Almond on almond

- Extra-large capacity washer features 3 cycles, 3 wash temperature options, 3 water level selections • Dryer features Automatic Dry Control and has 4 cycles



GE

24" Unitized Washer/Dryer

WSM2420T Electric

WSM2480T Gas

White on white (electric model also available in Almond on almond)

- Washer features 3 cycles, 3 wash/rinse temperatures, 3 water levels
- Dryer features Automatic Dry Control and has 4 cycles

Not all features available on all models. For additional features, specifications and color availability, refer to pages 216 and 221.

Spacemaker®: Portable/Stationary Models



Extra-Large 2.7 cu. ft. stainless steel tub with lint filter.



Easily accessible detergent/fabric softener dispenser.



GE
120V Portable/Topload Washer
WSLP1100A White on white or Almond on almond
• 24" extra-large capacity • 1 wash/spin speeds • 10 cycles • 4 wash/rinse temperatures • 4 water levels
• Load sensing • Colorlogic™ 2000
• Lint filter • Easy roll rollers

120V Stationary/Topload Washer
WLS1100A White on white or Almond on almond (not shown)
• 24" extra-large capacity • 1 wash/spin speeds • 10 cycles • 4 wash/rinse temperatures • 4 water levels
• Load sensing • Lint filter



GE
240V Stationary Dryer
DSKS433EA White on white or Almond on almond
• 3 drying cycles • 4 Heat selections

120V Portable/Stationary Dryer
DSKP233EA White on white (not shown)
• 3 drying cycles • 2 Heat selections • 15-amp dryer cord attached



DSL24AW shown with WSLP1100A Washer and DSKS433EA Dryer

DSL24AW Stack Rack
White on white or Almond on almond
(Available at additional Cost)
• For use with Portable or Stationary Washers and Stationary Dryer with light



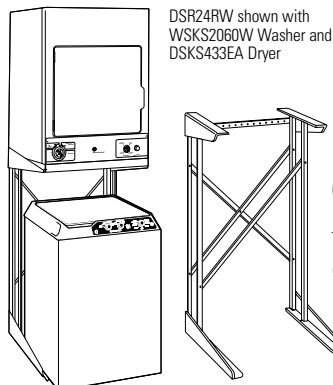
GE
120V Portable Washer
WSKP2060W White with granite-look top
• 2 wash/spin speeds • 6 cycles
• 3 wash/rinse temperatures
• 4 water levels • Unicouple connector quickly attaches to a faucet adaptor

120V Stationary Washer
WSKS2060W (not shown)



GE
120V Portable/Stationary Dryer
DSKP233EA White on white control panel
• 3 drying cycles • 2 Heat selections • 15-amp dryer cord attached

240V Stationary Dryer
DSKS433EA White on white or Almond on almond control panel (not shown)
• Stationary model • 3 drying cycles • 4 Heat selections



DSR24RW shown with WSKS2060W Washer and DSKS433EA Dryer

DSR24RW Stack Rack White (only)
(Available at additional Cost)
• For use with Portable or Stationary Washers and Stationary Dryer

Commercial Clothes Care

These washers include • Extra-large capacity • 3 water levels (adjustable) • 3 wash/rinse temperatures • Self-cleaning filter

These dryers include • 100% front serviceable • Quiet-By-Design™ • PermaTuf II™ Basket Dimensions: 27" W x 25-1/2" D x 42" H

ONLY GE HAS IT!



100% Front Serviceable with all operational parts in the washer and dryer serviceable without moving the unit.



Unique Upswept Design provides a contemporary look and makes cleaning easy.



The GentlePower™ Agitator adapts to the clothes load providing gentle and effective washing action.



ArmorGuard Protection provides a rust-resistant durable finish to the washer top and lid.



- GE**
WCCB2050V Two-Speed Washer
 • 5 wash cycles • 2 wash/spin speed combinations
- WCCD2050Y** Two-Speed Washer (not shown)
 • Electronic cycle countback • 5 wash cycles
 • 2 wash/spin speed combinations
- WCCB1030Y** Single-Speed Washer (not shown)
 • 3 wash cycles • 1 wash/spin speed combination
- WCCD1030Y** Single-Speed Washer (not shown)
 • Electronic cycle countback • 3 wash cycles
 • 1 wash/spin speed combination



- GE**
 Large Capacity Washer
DCB330EY/GY
 • Automatic Dry Control • 3 cycles
 • 3 heat selections • Up-front lint filter
 • 100% front serviceable • Reverse-A-Door
 Dimensions: 27" W x 25" D x 43-1/2" H

Modular Commercial Dryers



- GE**
 Stacked Pair
DDC4400S Electric Dryer
DDC4500S Gas Dryer
 • Stacked pair • Large capacity/6.2 cu. ft.
 • 3 cycles • 3 heat selections • "ON" indicator light • 100% front serviceable
 • Shipped preassembled
 Dimensions: 77" H x 27" W x 27" D

For more details and information on Commercial Laundry, see Pub. No. 14-X049 and 14-S179.

For detailed exhausting information, see pages 217-219.

Not all features available on all models.

Refrigeration

Cooking

Microwave Ovens

Dishwashers

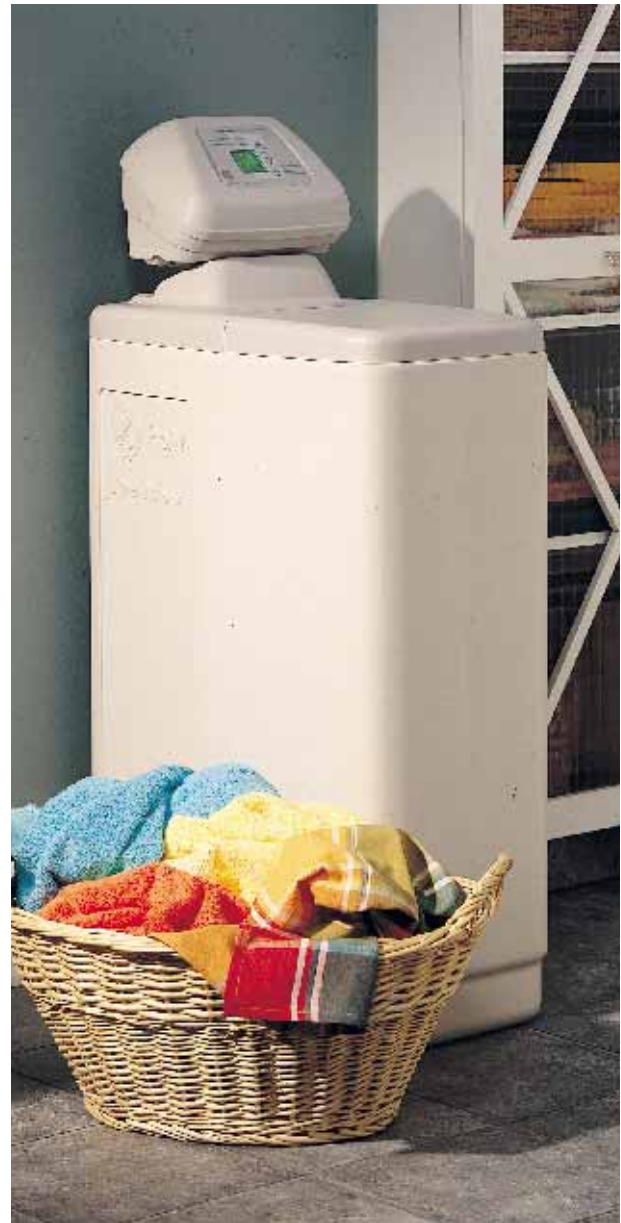
Clothes Care

Water Systems

Air Conditioning

Improve the most important element in your home. Water!





Water that is good for you, and your home.

As the Number One appliance brand in America, GE understands families and their homes. We know the importance of healthy, better tasting water, energy and cost savings, softer, brighter laundry and cleaner dishes, as well as improved appliance efficiency. That's why we offer SmartWater filtration and softening systems. Although you may not know the quality of the water coming into your home, we know that you're concerned about it. But, not to worry, you know you can depend on the GE brand—one of the most trusted names in the world. From cooking to cleaning to drinking, GE SmartWater can improve your home!

Water that's good for you.



Drinking Water Filtration

If you're one of the 75% of Americans concerned about the quality of your water,* GE SmartWater offers several ways to improve the quality of your water for drinking and cooking. Whether you choose our Premium Filtration—Reverse Osmosis, Carbon Filtration System, or a Refrigerator Icemaker filter, GE SmartWater has the system to meet your specific needs. These products can reduce such contaminants as lead, cysts, certain chemicals and reduce undesirable taste and odors in your water, while providing several options for easy installation. So enjoy quality, healthy water in your home today with a GE SmartWater drinking water filtration system.

Enjoy all the benefits of filtered drinking water



Healthy water—Provides added assurance of healthy drinking water.



Better tasting water—Healthy water for drinking and making beverages such as coffee, tea and juice.



Great for cooking—Cooking with filtered water provides great tasting foods.



NSF certified—All GE SmartWater™ drinking water filtration products are certified by NSF, the most highly recognized independent testing institution for water treatment products.

*WQA Consumer survey, 1997.

Not all features available on all models.

What type of drinking water filtration is right for your family?



Premium Filtration: Reverse Osmosis

GE's best filtration process offers dual carbon filtration with Reverse Osmosis technology. Premium filtration units offer various installation options and designer-style faucets. All Premium filtration systems reduce up to 99% of the following contaminants: **Sediment, Rust, Bad Taste & Odor, Chlorine, Lead, Cysts, Mercury, Nitrates/Nitrites, Sodium, Ammonia, Tannin, Sulfate, Magnesium, and more!**

Carbon Filtration

This most common type of filtration utilize a pre- and post-carbon filter to reduce contaminants in your water. And they're easy to install and maintain. A wide variety of filter options can provide reduction of the following contaminants: **Sediment, Rust, Bad Taste & Odor, Chlorine, Lead and Cysts.**

Refrigerator and Icemaker Filter

This filter is the perfect choice to provide cleaner, clearer, healthy ice. The GE SmartWater filter works on all types and brands of refrigerators, offering great tasting ice and water from your dispenser.

Monitored Premium Drinking Water Filtration—Reverse Osmosis GE Profile Performance™ System

GE's Best Filtration Process

Provides the added assurance of healthy water for your family

This model includes

Note: bold = feature upgrade from previous model

GE's Best Filtration Process works to reduce up to 99%* of these elements shown at right:

Reduces	
<i>Lead</i>	<i>Mercury</i>
<i>Cysts</i>	<i>Copper</i>
<i>Taste & Odor</i>	<i>Sodium</i>
<i>Chlorine</i>	<i>Magnesium</i>
<i>Sediment</i>	<i>Sulfate</i>
<i>Rust</i>	<i>Ammonia</i>
<i>Nitrate/Nitrite</i>	<i>Tannins</i>
And More!	

Super Capacity provides up to 18 gallons** of high-quality filtered water per day.

All In One System—

Space-saving design installs in less space than conventional models.

SmartWater™ Faucet with Electronic Monitor conveniently indicates the performance of the unit and when to replace filters and membrane. Separate faucet is used only when filtered water is needed, extending filter life. Note: Batteries are included.

Amber "Filter" Light: The pre-filter and post-filter cartridges need replacement. This occurs after 6 months, or 900 gallons of product water use, whichever occurs first.



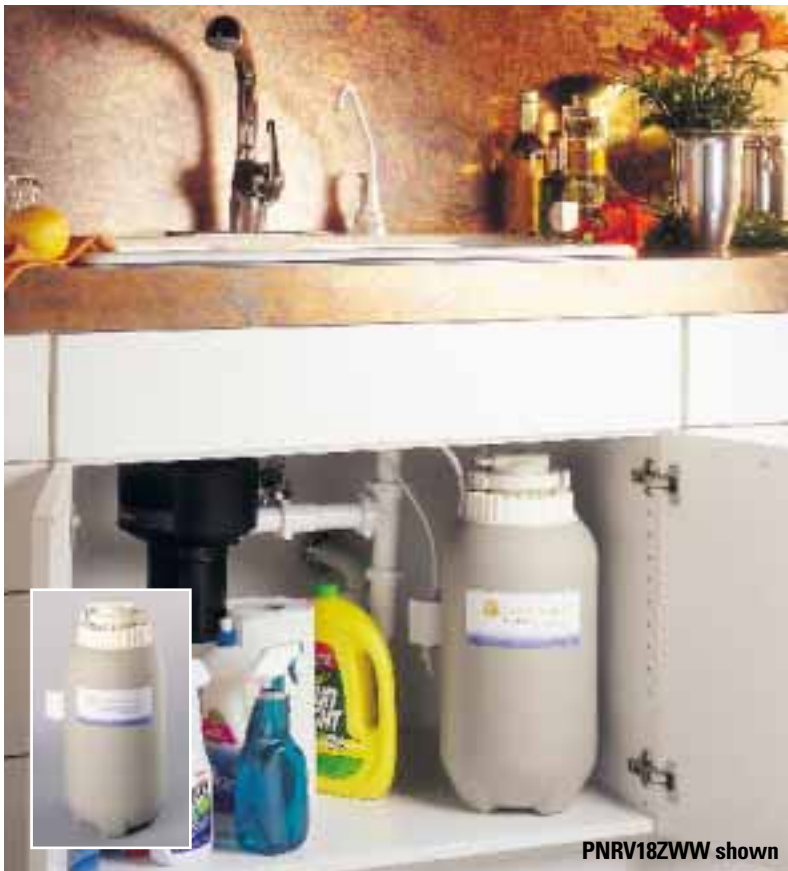
Green "OK" Light: The RO system is providing high-quality drinking water.

Amber "RO" Light: The RO membrane needs replacement.

Designer-Style Faucet allows you to customize the faucet color to complement the kitchen (see right for model/color selections).

Installation Flexibility—Can be installed vertically or horizontally undercounter, in basement or other convenient location.

NSF Certified—NSF is the most highly recognized independent testing institution in the water treatment industry. NSF inspects, tests and certifies our product performance.



PNRV18ZWW shown



GE Profile Performance Series™

PNRV18ZWW

Reverse Osmosis Filtration System with White on white faucet and monitor



GE Profile Performance Series™

PNRV18ZBB

Reverse Osmosis Filtration System with Black on black faucet and monitor



GE Profile Performance Series™

PNRV18ZWH

Reverse Osmosis Filtration System with Chrome on white faucet and monitor



GE Profile Performance Series™

PNRV18ZBL

Reverse Osmosis Filtration System with Chrome on black faucet and monitor

*Elements reduced are not necessarily present in your water. See product specification sheet, packed with product, for specific elements reduced by model, or call the GE Answer Center® toll-free, 800.626.2000.

**As tested and validated by the Water Quality Association using Standard S-300. Note: Depends on water pressure, temperature and total dissolved solids.

Not all features available on all models. For additional features, specifications and color availability, refer to page 222.

Monitored Premium Drinking Water Filtration—Reverse Osmosis GE Profile™ System

This model includes

Note: bold = feature upgrade from previous model

GE's Best Filtration Process Works to reduce up to 99%* these elements shown at right:

Reduces

Lead	Mercury
Cysts	Copper
Taste & Odor	Sodium
Chlorine	Magnesium
Sediment	Sulfate
Rust	Ammonia
Nitrate/Nitrite	Tannins
And More!	

Extra-Large Capacity provides up to 12 gallons** of high-quality filtered water per day.

SmartWater™ Faucet with Electronic Monitor

Conveniently indicates the performance of the unit and when to replace filters and membrane. Separate faucet is used only when filtered water is needed, extending filter life.
Note: Batteries are included.

Amber "Filter" Light: The pre-filter and post-filter cartridges need replacement. This occurs after 6 months, or 900 gallons of product water use, whichever occurs first.

Green "OK" Light: The RO system is providing high-quality drinking water.

Amber "RO" Light: The RO membrane needs replacement.

Simple Installation—Can be installed easily undercounter, in basement or other convenient location.

NSF Certified—NSF is the most highly recognized independent testing institution in the water treatment industry. NSF inspects, tests and certifies our product performance.



GE Profile™ PNRV12ZBL

Reverse Osmosis Filtration System (includes tank) with Chrome on black Faucet and Monitor

Premium Drinking Water Filtration—Reverse Osmosis GE System

This model includes

Note: bold = feature upgrade from previous model

GE's Best Filtration Process Works to reduce up to 99%* of the following elements:

Reduces

Lead	Mercury
Cysts	Copper
Taste & Odor	Sodium
Chlorine	Magnesium
Sediment	Sulfate
Rust	Ammonia
Nitrate/Nitrite	Tannins
And More!	

Large Capacity provides up to 10 gallons** of high-quality filtered water per day.

SmartWater™ Faucet—Separate Black on Chrome short-reach faucet is used only when filtered water is needed, extending filter life.

Simple Installation—Can be installed easily undercounter, in basement or other convenient location.

NSF Certified—NSF is the most highly recognized independent testing institution in the water treatment industry. NSF inspects, tests and certifies our product performance.



GE GXRV10ABL

Reverse Osmosis Filtration System (includes tank) with short-reach chrome on black faucet

Not all features available on all models.
For additional features, specifications and color availability, refer to page 222.

Under Sink Dual Stage Carbon Drinking Water Filtration GE Systems



Simple Installation—Can be easily installed under a sink, in basement or another convenient location.



SmartWater™ Faucet—Separate faucet is used only when filtered water is needed, extending filter life.



NSF Certified—NSF is the most highly recognized independent testing institution in the water treatment industry. NSF inspects, tests and certifies our product performance.



GE GNUL30B

- System rated for 1250 gallons of water
- Long-reach faucet with electronic monitor. Amber filter light indicates when to replace filters for highest quality water.
- Lead and Cyst Reduction Filters included (FXUSB and FXULB)

Reduces

Lead
Cysts
Taste & Odor
Chlorine
Sediment
Rust



GE GNUT05B

- Long-reach faucet with electronic monitor. Amber filter light indicates when to replace filters for highest quality water.
- Taste & Odor Reduction Filters included (FXUSB and FXUTB)
- System rated for 6000 gallons of water

Reduces

Taste & Odor
Chlorine
Sediment
Rust



GE GNUT03B/GXUT03B

- Short-reach faucet without electronic monitor
- Taste & Odor Reduction Filters included (FXUSB and FXUTB)
- System rated for 6000 gallons of water

Reduces

Taste & Odor
Chlorine
Sediment
Rust

Refrigerator and Icemaker Drinking Water Filtration GE Systems



Quick Connect Auto Shut Off Fittings allow for easy installation and replacement of filter.



GE SmartWater filters work on any brand side-by-side and top-freezer refrigerators with or without dispensers.

GE

GX1LO

- Quick connect auto shut off fittings
- Filter reduces Lead, Cyst, Chlorine, Bad Taste & Odor and Sediment
- System rated for 750 gallons of water

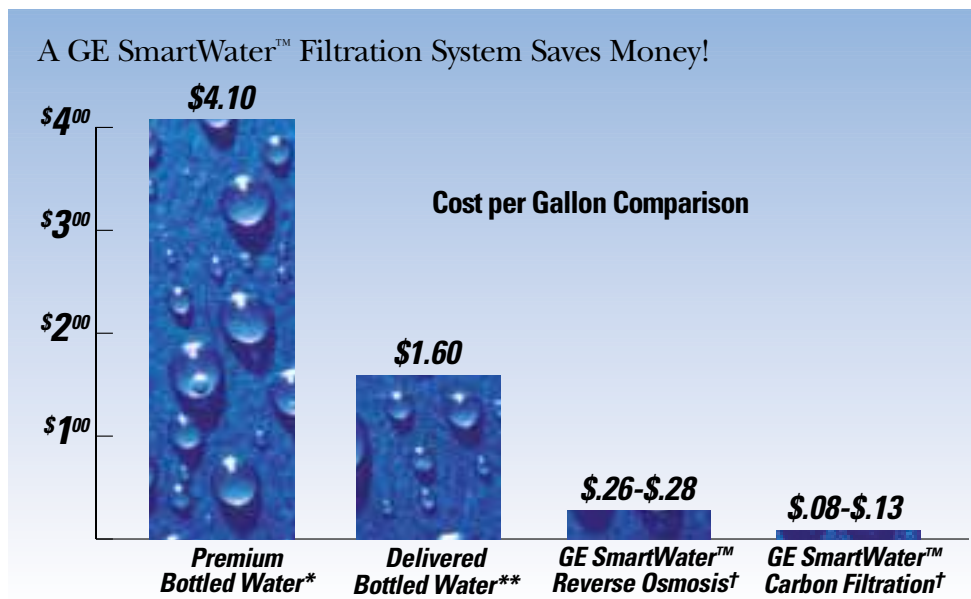
GX1TQ (not shown)

- Quick connect auto shut off fittings
- Filter reduces Chlorine, Bad Taste & Odor and Sediment
- System rated for 2000 gallons of water

GX1TQR (not shown)

- Replacement filter only for GX1TQ

GE SmartWater™ Filtration Systems vs. Bottled Water: A Cost Comparison



Eliminates the expense and inconvenience of purchasing bottled water at a store or scheduling home delivery of bottled water.

*National average price of "Premium" bottled water.
 **Average cost per gallon for delivered bottled water.
 †GE SmartWater™ estimate is calculated by dividing the number of gallons by consumer cost of product, installation and replacement filters.

Not all features available on all models.
 For additional features, specifications and color availability, refer to page 223.

Water that's good for your home.



Household Filtration

Household Filtration Systems work to filter all the water that enters your home. This process works to improve your water by reducing sand, sediment and rust—a perfect complement for your water softener and drinking water filtration system.

Note: bold = feature upgrade from previous model



Reduces Sediment and Rust at your main water supply inlet.



Appliance Saver—Reduces sediment service issues on your appliances, water heater and plumbing fixtures.



Reduces
Sediment
Rust

GE GXWH08C

- **Built-In valve-on and bypass positions**
- **Easy turn bypass valve design and Pressure Relief Valve**—makes changing filter easy
- **Reduces Sediment and Rust** for up to 16,000 gallons* or 3 months (filter included)
- **Installation Kit included for easy installation**
- **Clear sump**
- Easy to install 3/4" inlet/outlet for installation on main cold water line



Reduces
Sediment
Rust

GE GXWH01C

- Opaque sump
- Installation kit sold separately
- Filter sold separately
- Pressure Relief Valve—makes changing filter easy



Reduces
Sediment
Rust

GE GXWH30C

- **Heavy-Duty Filtration System**
- **Attaches to 1" and 3/4" water lines**
- **Pressure Relief Valve**—makes changing filter easy
- Installation kit Included for easy installation
- Filters sold separately (FXHTC or FXHSC)

Not all features available on all models. For additional features, specifications and color availability, refer to page 223.

Water that's good for your home.



Easier to Clean—Reduces hard water build-up, making tubs, showers and sinks easier to clean.

Softening Systems

There is no doubt that water hardness is one of the most common of all water problems. A U.S. Geological Study shows that hard water is found in 85% of the United States. GE SmartWater Softening Systems reduce the hardness in your water, providing your family with quality water throughout your home.



Whiter Towels—Towels are 45% whiter while using 1/3 less detergent. Clothes are softer, cleaner, brighter and last longer.



Cleaner Dishes—Gives you cleaner dishes by reducing soap and hard water spotting.



Feels Smoother—Soft water feels noticeably smoother to your skin.



Reduces Energy Costs—Helps reduce build-up in pipes and water-using appliances, providing cost savings.

Softening Systems

Note: bold = feature upgrade from previous model



High-Efficiency—Super capacity combined with the salt-efficiency of the unit provides cost savings and convenience. Reduces the need for frequent salt replacement.



Easy-to-Set Electronic Controls—No calculations or complicated programming. Simply turn it on, set time of day and set the hardness level of your water supply.



Demand-Initiated Regeneration—Truly SmartWater—system monitors water usage to maximize salt usage and assure ample supply of soft water by regenerating only when needed.



Free Installation Kit—Complete installation kit with bypass valve, drain tubing and other necessary parts included.



For Families of 4 or More

GE Profile Performance Series™ PNSF39Z

- **Super Capacity** means less maintenance—38,500 grain capacity helps assure an ample supply of soft water and provides for lifestyle changes.
- 300 lb. Salt Storage reduces the need for frequent salt replacement.
- **Easy Reading Backlit LCD Display** eliminates the need for a flashlight to see display in difficult or dark locations.
- **72 Hour Program and Time Memory**—Permanent memory maintains hardness and regeneration time settings even if power is off or unit is unplugged for extended periods. No batteries needed, unit recharges itself when power is restored.
- **Systems Monitor**—Advanced electronic water management system features:
 - Capacity remaining (the data button will indicate how much capacity is remaining and whether or not to command an extra regeneration)
 - Gallons used (indicates how many gallons of water have been used per day)
 - Average gallons used (indicates the average gallons used over the past 7 days)
 - Flow Rate (shows how much water is flowing through the softener)
- 24-Volt Electronic System simplifies installation and maintenance.



For Families of 2 to 4

GE Profile™ PNSF35B

- **Extra-Large Capacity** means less maintenance—35,000 grain capacity helps assure an ample supply of soft water and provides for lifestyle changes.
- 300 lb. Salt Storage reduces the need for frequent salt replacement.
- **6 Hour Program and Time Memory**—Permanent memory maintains hardness and regeneration time settings even if power is off or unit is unplugged for extended periods. No batteries needed, unit recharges itself when power is restored.
- 24-Volt Electronic System simplifies installation and maintenance.

Not all features available on all models. For additional features, specifications and color availability, refer to page 224.



For Families of 2 or Less

GE GXSF27B

- **Large Capacity** means less maintenance—27,000 grain capacity helps assure an ample supply of soft water and provides for lifestyle changes.
- **200 lb. Salt Storage** reduces the need for frequent salt replacement.
- **6 Hour Program and Time Memory**
Permanent memory maintains hardness and regeneration time settings even if power is off or unit is unplugged for extended periods. No batteries needed, unit recharges itself when power is restored.
- **24-Volt Electronic System** simplifies installation and maintenance.



For Condos and Small Spaces

GE GNSF18Z

- **Compact Size** means installation flexibility—The compact housing provides installation flexibility; installs in many areas other softeners may not.
- **18,000 Grain Capacity** assures an ample supply of soft water.
- **140 lb. Salt Storage** combined with the compact size means easier salt loading.
- **6 Hour Program and Time Memory**—Permanent memory maintains hardness and regeneration time settings even if power is off or unit is unplugged for extended periods. No batteries needed, unit recharges itself when power is restored.
- **24-Volt Electronic System** simplifies installation and maintenance.

The coolest comfort, no matter where you need it.





GE has room air conditioners for every room in the home.

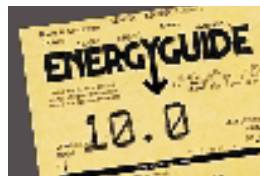
From new construction and remodeling, to renovation and replacement, GE units offer you and your customers plenty of choices.

The unique GE full-line provides the features your customers look for and you demand. Choose from window or through-the-wall installation models. Pick from heat pump, electric resistance heat or choose the cooling only models. Plus, most units come with the reliability of microprocessor or solid-state controls. All units offer contemporary styling and are easy to install and maintain.

So, regardless of type or scope of your project, GE delivers dependable, quality units that meet your specifications—and exceed your customer's expectations.

Built-In “J” Series: Slope-Top Chassis Only Models

These models include • Variable setting thermostat
 • Fan Cycle switch • Four-way air direction • Up-front, washable air filter • “Fan Only” setting for air circulation



E.E.R. (Energy Efficiency Ratio) shown on the tag of each new unit, compares the air conditioner’s cooling output with the electricity it requires for power. The higher the E.E.R. number, the more efficient the unit, and the less costly to operate.

Fan Cycle Switch helps reduce power consumption and operating costs.



Cool Only Units

Offer a variety of capacities to cool many applications.

Heat/Cool Units

Provide a variety of capacities for summer cooling, plus supplemental heat for cold weather—units combine air conditioning with electric resistance heat.

Heat Pump Units

Heat pump units offer efficient summer cooling with reverse cycle heating and back-up resistance heat for cold weather.

Units include attractive room-side grille of high-impact polystyrene.

These units are chassis-only models and require a separately purchased solid-sided wall case (RAB46, RAB47 or RAB48) and exterior grille (RAG13 or RAG14) for installation.



Cool Only Units

Models	BTUH Cooling	Volts	EER	BTUH Electric Resistance Heating	Wall Case
AJCS06LC	6000	115	9.5	—	RAB46/47/48
AJCS08AC	8000	115	9.2	—	RAB46/47/48
AJCS10AC	9900	115	9.2	—	RAB46/47/48
AJCS09DC	8900/8700	230/208	9.5/9.5	—	RAB46/47/48
AJCS10DC	9900/9700	230/208	9.2/9.2	—	RAB46/47/48
AJCS12DC	11,600/11,400	230/208	9.0/9.0	—	RAB46/47/48



Heat/Cool Units

Models	BTUH Cooling	Volts	EER	BTUH Electric Resistance Heating	Wall Case
AJES09DC	8900/8700	230/208	9.5/9.5	11,600/9,500	RAB46/47/48
AJES10DC	9900/9700	230/208	9.2/9.2	11,600/9,500	RAB46/47/48
AJES12DC	11,600/11,400	230/208	9.0/9.0	11,600/9,500	RAB46/47/48



Heat Pump Units

Models	BTUH Cooling	Volts	EER	BTUH Electric Resistance Heating	BTUH Reverse Cycle Heating†	Wall Case
AJHS08DC*	8000/7800	230/208	9.2/9.2	11,600/9500	7700/7500	RAB46/47/48
AJHS10DC*	9800/9600	230/208	9.2/9.2	11,600/9500	9700/9500	RAB46/47/48

*Model includes two-stage heating thermostat.

†At 47°F.

Note: If any “J” Series unit is a replacement unit the existing rear grille should be replaced for better performance with either stamped aluminum (RAG13) grille or architectural louvered extruded aluminum (RAG14).

Built-In “J” Series: Hi-Mount Chassis Only Models

These models include • Variable setting thermostat

- Fan Cycle switch • Four-way air direction • Up-front, washable air filter • Multiple fan speeds



For high-mount installations where control accessibility is difficult, GE offers five “J” Series models with controls located in the lower corner of the room-side cabinet. There are two 115V and two 230V cooling only models, and one 230V model with electric heat.

Units include attractive room-side grille of high-impact polystyrene.

Each unit requires a solid-sided wall case (RAB46, RAB47 or RAB48) and exterior grille (RAG13 or RAG14) for installation.

Cool Only Units



Models	BTUH Cooling	Volts	EER	BTUH Electric Resistance Heating	Wall Case
AJCH08AC	8000	115	9.2	–	RAB46/47/48
AJCH10AC	9900	115	9.2	–	RAB46/47/48
AJCH10DC	9900/9700	230/208	9.2/9.2	–	RAB46/47/48
AJCH12DC	11,600/11,400	230/208	9.0/9.0	–	RAB46/47/48

Heat/Cool Unit



Model	BTUH Cooling	Volts	EER	BTUH Electric Resistance Heating	Wall Case
AJEH12DC	11,600/11,400	230/208	9.0/9.0	11,600/9500	RAB46/47/48

Built-In “J” Series: Window/Wall Mount Models

These models include • Multiple Cooling/Heating speeds • Vent/Exhaust • Multi-position thermostat

- Fan Cycle switch • Easy access filter • Slide-out chassis • EZ Mount window kit (for Cooling Only models)



Heat/Cool Units

Model	BTU	EER	Volts	Cools (sq. ft.)	Heater Wattage
AJES10DS	9,900/9,700	9.2/9.2	230/208	425-525	3.4/2.8 (kw)
AJES08AS	8,000	9.2	115	250-350	1.2 (kw)
AJES06LS	6,000	9.5	115	170-210	1.2 (kw)

Heat Pump Unit

Model	BTU	EER	Volts	Cools (sq. ft.)	Heater Wattage
AJHS08AS	8,000	9.2	115	250-350	1.2 (kw)

Cooling Only Units

Model	BTU	EER	Volts	Cools (sq. ft.)
AJCS10AZ	9,900	9.2	115	425-525
AJCS08AZ	8,000	9.2	115	250-350
AJCS06LZ	6,000	9.5	115	170-210



Cooling Only



Heat/Cool, Heat Pump

For convenience and efficiency, GE offers a unique line of units that provide cooling only, cooling with electric heat, and cooling with heat pumps, for use in window or through-the-wall application.

All units include solid-sided sleeve with a slide-out chassis.

Not all features available on all models.

For additional features, specifications and color availability, refer to pages 226-227.

Zonline®: Heat Pump and Heat/Cool Models



Versatile Zonline units provide year-round comfort with individual heating and cooling temperature control for economy and convenience.

Designed to blend with most architectural styles and interior decors, Zonline units are adaptable to a wide variety of applications, including hotels and motels, office buildings, schools and apartments. Zonline's design and easy installation also make it ideal for remodeling and room additions.

The two-tier Zonline lines, Deluxe and Premium, offer a wide selection of features, heating and cooling capacities, and voltages to meet each zonal application. All Zonline units come with microcomputer controls, each with its own special features. Whether it's the Deluxe line with solid-state controls, high efficiency, and deluxe features, or the Premium line with higher efficiencies and sophisticated features, Zonline quality and ease of maintenance will serve its owner or users well for years to come.

Resistance Heat Models

GE Zonline packaged terminal units with resistance heat are especially suited for installations where heating demands are moderate.

Heat Pump Models

Zonline units with heat pump operation offer economical year-round comfort for zonal comfort conditioning, for most temperatures. Heating is provided by a high efficiency heat pump. The heat pump operation is backed up with resistance heat for those times when outdoor temperatures fall below the heat pump capacity.

Deluxe Line

The Deluxe Line is a high efficiency, two fan motors, microcomputer controlled line of cooling with resistance heat, and cooling with heat pump operation and resistance heat back up. Energy savings, plus standard features make these units an excellent value.

Dry Air 25

The Dry Air 25 Series centers around GE's exclusive use of the patented Dinh® Dehumidifier Heat Pipe from Heat Pipe Technology, Inc. This innovative NASA spin-off technology enables the Dry Air 25 to remove 25% more moisture from the air than other packaged terminal air conditioners. The Dry Air 25 is perfect for high-humidity climates. Available on 7000, 9000 and 12,000 BTU Resistance Heat models.

Note: Use of drain kit RAD10 is recommended.

Premium Line

The Premium Line is a high efficiency, two fan motors, full featured, microcomputer controlled line, in both cooling with resistance heat, and cooling with heat pump and resistance heat back up. The microprocessor, with solid state sensors, offers a variety of features for energy savings and reliable operation.

Easy Installation

Zonline models are designed for easy installation, whether in new construction, renovation or for replacement of old units. Unless specified by code, they require no sub-base and may be installed flush with the finished floor.

All models are adaptable to remote and central desk control.

Zonline units may even be placed in unusual locations, such as transom or common area installations.

Compatibility with existing Zonline wall cases simplifies retrofit installations. A new chassis simply slides into the already installed wall case. A new matching rear grille should be used.

And the exclusive, Quick Connect power supply kit for Premium Line models, allows the unit to be installed on various amperage circuits.

2200 Series Deluxe Resistance Heat Standard Microcomputer Controls



Dry Air 25 Series Deluxe Resistance Heat Standard Microcomputer Controls



3200 Series Deluxe Heat Pumps Standard Microcomputer Controls



5200 Series Premium Heat Pumps Highly-Featured Microcomputer Controls



Not all features available on all models.

For additional features, specifications and color availability, refer to pages 228-230.



(Premium Line Chassis Shown)

The Newest Innovation From GE:

The Dry Air 25

The Dry Air 25 features innovative technology from HPT, an addition which enables this unit to remove 25% more moisture from the air than all other models. The Dry Air 25 system, Heat Pipe, is a hermetically sealed heat transfer surface that is saddle-bagged around the indoor coil (evaporator) of the Zoneline. This coil arrangement will transfer heat from one coil to another without power consumption. This assembly uses R-22 as the refrigerant and is isolated from the regular Zoneline refrigerant circuit.

As warm humid air is pulled through the pre-cool section of the Heat Pipe, the heat removed from the air is absorbed by the refrigerant, causing the refrigerant to boil. As the pre-cooled air passes through the Zoneline evaporator, the air is further cooled (colder than it would be normally), removing 25% more moisture than other packaged terminal units.

As the cold air passes through the re-heat section of the Heat Pipe, the refrigerant condenses and the liquid flows back to the pre-cool section to be re-heated again. The air discharged into the room by this process is much drier, creating a more comfortable room condition.

All Zoneline Units Feature Superseal

Air leakage into living space wastes energy and creates an uncomfortable environment. All Zoneline units meet the rigid air infiltration specifications of ASTM E283-91 which requires 7 CFM infiltration or less with a 25 mile per hour wind velocity. With optional ICR the specification is 10 CFM.

Water infiltration into a room could cause serious structural or furnishing damage.

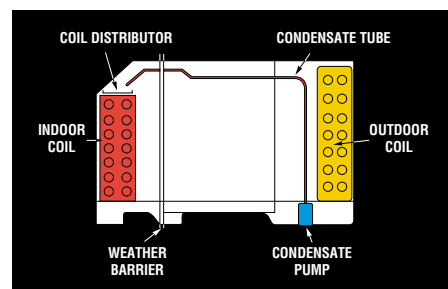
All Zoneline units are tested to ASTM E331-86 specifications which requires no water infiltration when exposed to 8" per hour rainfall at 63 mile per hour wind velocity for 15 minutes. Superseal means room comfort and energy saving.

Special Corrosion Protected Units

To help extend the life of the Zoneline in seacoast areas, some Deluxe Zonelines may be ordered with a special corrosion protection treatment on outdoor components and use stainless steel hardware. Zonelines with optional Corrosion Protection have a 'C' in the 10th character of the model number.

Internal Condensate Removal

Available on the 3200 and 5200 heat pumps, this feature drips the heat pump condensate over the warm indoor coil to help dissipate water from heat pump operation and associated defrost cycles. The installation of an internal or external drain system is recommended if no dripping of condensate to the outdoors is desired. ICR must not be installed in seacoast or corrosive applications.



Features	Resistance Heat		Heat Pump	
	Deluxe 2200 Series	Deluxe Dry Air 25	Deluxe 3200 Series	Premium 5200 Series
Standard Microcomputer Controls	Standard	Standard	Standard	—
Highly Featured Microcomputer Controls	—	—	—	Standard
Rotary Control Knobs	Standard	Standard	Standard	—
Tactile Touch Pad Controls with LED	—	—	—	Standard
Universal Heaters/Power Connection Kit	—	—	—	Standard
Solid State Thermostat	Standard	Standard	Standard	Standard
Concealed Manual Vent Control	Standard	Standard	Standard	Standard
Upfront Filter	Standard	Standard	Standard	Standard
Automatic Indoor Frost Control	Standard	Standard	Standard	Standard
Corrosion Treated Chassis	Optional	Standard	Optional	N/A
2 Position Discharge Grille	Standard	Standard	Standard	Standard
Fan Motors	2	2	2	2
Fan Cycle Switch	Standard	Standard	Standard	Standard
Fan Only Setting - 2 Speed	Standard	Standard	Standard	Standard
Indoor Fan Speed	Hi/Low	Hi/Low	Hi/Low	Hi/Low/Auto
Staged Heating	—	—	—	Standard
Freeze Sentinel™	Standard	Standard	Standard	Standard
Temperature Limiting	Mechanical	Mechanical	Mechanical	Electronic 7 step
Remote Control Compatibility (Requires RAKOIM)	Standard	Standard	Standard	Standard
Central Desk Control Compatibility (Requires RAKOIM)	Standard	Standard	Standard	Standard
Service Indicator LED	—	—	—	Standard
Heat Pump with resistance heat back-up	—	—	Standard	Standard
Heat Pump with supplemental resistance heat	—	—	—	Standard
Automatic Emergency heat	—	—	Standard	Standard
Electric Resistance heat lock-out	—	—	Standard	Standard
Heat Pump Defrost system	—	—	Passive	Reverse Cycle
Internal Condensate Removal (ICR)	—	—	Optional	Optional
Quick Heat Recovery	—	—	Standard	Standard
Self-Diagnostics	—	—	—	Standard
Auto Power Recovery	Standard	Standard	Standard	Standard



Not all features available on all models.

For additional features, specifications and color availability, refer to pages 228-230.

Air Conditioning: GE Profile™ and Deluxe Series

These models include • Energy Saver feature • Multiple cooling speeds • Vent/Exhaust • Adjustable thermostat
 • EZ Mount window kit • Four-way adjustable air discharge • One Touch Lift-Out filter • Slide-out chassis



The Electronic Thermostat with Remote Control allows you to set and adjust exact temperatures for total comfort.



With the Energy Saver Feature, once the room is cool enough, the thermostat will shut down the compressor and fan, saving energy and reducing your energy bill.

GE Profile™ Series



Models	BTU	EER	Volts	Cools (sq. ft.)
ASM24DA	23,700/23,100	8.8/8.8	230/208	1480-1620
ASM22DA	22,000/21,500	8.8/8.8	230/208	1330-1450
ASM18DA	18,000/17,500	10.0/10.0	230/208	1050-1150
ASM16DA	15,600/15,200	9.7/9.7	230/208	890-990
ASM14AA	14,000	10.0	115	750-850
ASM12DA	12,500/12,200	10.0/10.0	230/208	625-700
ASM12AA	12,500	10.0	115	625-700
ASM10AA	10,000	10.0	115	425-525

GE Deluxe Series



Models	BTU	EER	Volts	Cools (sq. ft.)
ASM08FA	8,000	10.0	115	250-350
ASM06LB*	6,000	10.0	115	170-210

*Energy Star Compliant



As an ENERGY STAR® Partner, GE has determined that this product meets the ENERGY STAR® guidelines for energy efficiency.

Value Series Air Conditioning

These models include

- Multiple cooling speeds
- 8-Position thermostat
- Rigid slide-out filter
- EZ Mount window kit
- Vent exhaust



Easy Mount Installation designed for ease of placement, this unit can be installed by most people and requires no prior experience or special tools.



Model	BTU	EER	Volts	Cools (sq. ft.)
AGV18DC	17,800/17,300	9.7/9.7	230/208	1000-1100



Model	BTU	EER	Volts	Cools (sq. ft.)
AGV07LA	7,000	9.7	115	210-280



Models	BTU	EER	Volts	Cools (sq. ft.)
AGV12DB	12,000/11,500	9.8/9.8	230/208	575-650
AGV12AB	12,000	9.8	115	575-650
AGV10AB	10,000	9.8	115	425-525



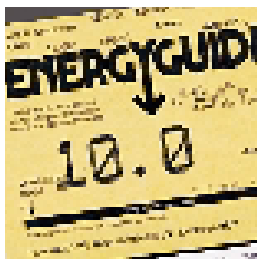
Model	BTU	EER	Volts	Cools (sq. ft.)
ASV24DA	23,700/23,100	8.5/8.5	230/208	1480-1620

Not all features available on all models. For additional features, specifications and color availability, refer to page 225.

Value Series Air Conditioning (continued)



Quick Clean Filters keep unit running efficiently and save money. Simply slide out the filter, wash and replace.



Energy Efficiency Ratio (E.E.R.) - Higher E.E.R. numbers indicate greater efficiency and lower operating costs. An E.E.R. of 10.0 compared to an E.E.R. of 9.0 can provide an annual energy savings of more than 10% while still providing the same amount of cooling BTU's.



Model	BTU	EER	Volts	Cools (sq. ft.)
ASV14AA	14,000	10.0	115	750-850



Model	BTU	EER	Volts	Cools (sq. ft.)
ASV05LA*	5,000	9.7	115	100-150

*Energy Star Compliant



Models	BTU	EER	Volts	Cools (sq. ft.)
ASV08FA	8,000	9.8	115	250-350
ASV06LB*	6,000	9.8	115	170-210

*Energy Star Compliant



Model	BTU	EER	Volts	Cools (sq. ft.)
ASC05LA	5,000	8.5	115	100-150

• Carry-Cool® Model



As an ENERGY STAR® Partner, GE has determined that this product meets the ENERGY STAR® guidelines for energy efficiency.

Heat/Cool Series

- These models include** • Multiple cooling/heating speeds • Vent/Exhaust • 10-Position thermostat
- Four-way adjustable air discharge
 - Easy access filter
 - Slide-out chassis
 - Rigid panel window kit



Concealed Controls are hidden from view to provide a clean, contemporary appearance.



Cooling and Electric Heat along with comfortable cooling capabilities, our new series also provides supplemental heat during winter months and can even be used as the primary heat source in temperate zones.



Models	BTU	EER	Volts	Cools (sq. ft.)	Heater Wattage
AVE22DA	22,000/21,300	8.2/8.2	230/208	1,330-1,450	5.0/4.0 (kw)
AVE18DA	18,000/17,500	9.5/9.5	230/208	1,050-1,150	3.0/2.6 (kw)
AVE15DA	15,000/14,500	9.0/9.0	230/208	850-950	3.0/2.6 (kw)



Not all features available on all models. For additional features, specifications and color availability, refer to pages 225 and 227.

Air Conditioning: Quiet-Aire™ –Split System

The GE Quiet-Aire™ –Split System Air Conditioner provides virtually silent cooling comfort. With a design that includes outside air compressor placement, disturbing sounds are kept out of doors and out of earshot. This design also eliminates annoyances like rattling windows. So rest easily and peacefully. Available in heat pump and cooling only models in 9,000, 12,000 and 18,000 BTU sizes.



Indoor unit



Outdoor unit

For more information, see Pub. No. 20-S008, or call the GE Answer Center® at 800.626.2000.

Air Conditioning: Slide-Aire

These models include • 10-Position thermostat
• Vertical Slider Kit Panel • Multiple Cooling and Fan speeds • Two-way adjustable air discharge



Slide-Aire models accommodate the special installation needs of sliding and casement windows (those with side hinges that open in or out).



Sleek New Contemporary Styling blends quietly with most decor.



Model	BTU	EER	Volts	Cools (sq. ft.)
AVX10AC	10,000	9.0	115	425-525
AVX07FB	7,000	8.5	115	210-280

Dehumidifiers



Model	Pints Per Day
AHG20LA	19

- Electronic Micro Computer Control
- Overflow protection
- Water Full indicator
- Automatic defrost
- 6-Pint bucket capacity
- External drain connector



Model	Pints Per Day
AHG50LA	50
AHG40LA	40
AHG25LA	25

- Compact and contemporary design
- Automatic Humidistat control
- Automatic Shut-Off system with Bucket Full indicator
- Easy roll casters
- External drain connector
- Automatic defrost control
- Removable condensate container
- Washable air filter

Not all features available on all models. For additional features, specifications and color availability, refer to pages 225, 228 and 230.

Instant Dimensional & Installation Information

From the speed of a touchtone phone, order installation information to be delivered through your fax machine.



GE QuickSpecs

1-800-432-3729

This automated fax-on-demand system provides a quick reference to product dimensions for Monogram,[®] GE Profile Performance Series,[™] GE Profile,[™] GE and Hotpoint appliances.

- **Touchtone Activated**

Simply follow the voice prompts to make your selection from any touchtone phone.

- **Model Specific Installation Dimensions**

Select accurate installation dimensions by individual model numbers for virtually every model. Make your selection from the List of Available Documents (available by fax from GE QuickSpecs). Select up to 15 documents per call.

- **Feature and Appearances**

Feature information and product illustrations are included for most models.

- **Fax Information to Any Fax Telephone Number**

Once you make your selection, you will be asked to enter the fax telephone number where you wish your request to be faxed (your office, job site, customer). It will be faxed to the specified fax number within 15 minutes.

- **Available 24 Hours a Day, 7 Days a Week**

Specifications And Installation Information

Contents

Warranty Information.....	150-153
Refrigerators	
CustomStyle [™] Refrigerators.....	154-159
Side-By-Side Refrigerators.....	160-161
Bottom-Freezer Refrigerators.....	162
Top-Freezer No-Frost Refrigerators.....	163-165
Cycle and Manual Defrost Refrigerators.....	166
Spacemaker [™] Compact Refrigerators.....	166
Upright and Chest Freezers.....	167
Optional Refrigerator Panels and Trim Kits.....	168
Cooking Products	
Advantium [™] Ovens.....	169
30" Built-In Double Ovens.....	170-171
30" Built-In Single Ovens.....	172-173
27" and 24" Built-In Double Ovens.....	174-175
27" and 24" Built-In Single Ovens.....	176-177
24" Built-In Gas Ovens.....	178
30" and 27" Warming Drawers.....	179
Built-In CleanDesign Cooktops.....	180
Built-In Electric Cooktops.....	181
Downdraft Electric Cooktops.....	182-183
Built-In Gas Cooktops.....	184
Downdraft Gas Cooktops.....	185
Select-Top [™] Modular Downdraft Cooktops and Patio Grill.....	186-187
Built-In Downdraft Gas Modular Cooktops.....	187
30" Drop-In Electric Ranges.....	188
30" Slide-In Electric Ranges.....	189
30" Slide-In Gas Ranges.....	190-191
30" Slide-In Downdraft Ranges.....	191
Spacemaker [™] 27" Drop-In Electric Ranges.....	192
30" Free-Standing CleanDesign Electric Ranges.....	192-193
30" Free-Standing QuickClean [™] Electric Ranges.....	194-195
40" Free-Standing Electric Ranges.....	195
30" Free-Standing Gas Ranges.....	196-198
High Performance, Performance, Deluxe and Standard Hoods.....	199
Slide-Out Hoods.....	200
Telescopic Downdraft Systems.....	200-201
Microwave Ovens	
SpacemakerPlus [™] Microwave/Convection Ovens.....	202
Spacemaker XL Over-The-Range Microwave Ovens.....	203
Microwave Wall Ovens.....	204
Countertop Microwave Ovens.....	205
Spacemaker II [™] Microwave Ovens.....	206
Countertop/Compact/Subcompact Microwave Ovens.....	206
Microwave Oven Accessory Trim Kits.....	207
Dishwashers	
Built-In Dishwashers.....	208-209
Convertible/Portable Dishwashers.....	210
Spacemaker [®] Built-In 18" & Undersink Dishwashers.....	210-211
Disposers and Compactors.....	212
Clothes Care	
Washers.....	213
Dryers.....	214-215
Front Loading Washer and Dryer.....	216
Dryer Exhausting and Installation Information.....	217-219
Spacemaker [®] Washers and Dryers.....	220-221
Water Systems	
Air Conditioning	
GE Profile [™] , Deluxe/Value and Slide-Aire Air Conditioning.....	225
Built-In "J" Series Units and Heat Pumps.....	222
Heat/Cool and Window/Built-In "J" Series Units and Heat Pumps.....	223
Split System Air Conditioning/Heat Pumps.....	228
Zoneline [®]	228-230
Dehumidifiers.....	230
Nomenclatures.....	231-235

Warranty Information

The condensed list below is a convenient overview of the written warranties offered on various GE appliances described in this catalog. For complete warranty details on a specific GE appliance model, contact your nearest GE supplier, or call GE Factory Service, toll-free, 800-GE-CARES (800-432-2737).

Refrigerators

(All models **except** TAX2SNCWH, TAX2SNCBL, TAX4SNCWH)

For The Period Of	GE Will Replace
One Year From the date of the original purchase	Any part in the refrigerator which fails due to a defect in materials or workmanship. During this full one-year warranty , GE will provide all labor and in-home service costs to replace the defective part free of charge .
Five Years From the date of the original purchase	Sealed Refrigeration System or Compressor , if either of these parts should fail due to a defect in materials or workmanship. During this full five-year warranty , GE will also provide all labor and in-home service costs to replace the defective part free of charge .
Lifetime From the date of the original purchase	See-Thru Veg/Fruit Pans and ClearLook™ Door Bins , if any of these parts should fail due to a defect in materials or workmanship. During this lifetime limited warranty , you will be responsible for service trip and labor charges.

Refrigerators

(Models TAX2SNCWH, TAX2SNCBL, TAX4SNCWH)

For The Period Of	GE Will Replace
One Year From the date of the original purchase	Any part in the refrigerator which fails due to a defect in materials or workmanship. During this limited one-year warranty , you will be responsible for service trip charges.
Five Years From the date of the original purchase	Compressor , if this part should fail due to a defect in materials or workmanship. During this limited five-year warranty , you will be responsible for service trip and labor charges.

Freezers

For The Period Of	GE Will Replace
One Year From the date of the original purchase	Any part in the freezer which fails due to a defect in materials or workmanship. During this full one-year warranty , GE will also provide all labor and in-home service to replace the defective part free of charge .
Five Years From the date of the original purchase	Sealed Refrigeration System , if this part should fail due to a defect in materials or workmanship. During this full five-year warranty , GE will also provide all labor and in-home service to replace the defective part free of charge .
One Year/Five Years From the date of the original purchase	Food Spoilage , Cumulative limits: \$100—14.9 and smaller, \$150—15.0 and larger. One-year on spoilage from any part failure. Five-year on spoilage from sealed refrigeration system failure.

Icemakers

For The Period Of	GE Will Replace
One Year From the date of the original purchase	Any part in the icemaker which fails due to a defect in materials or workmanship. During this full one-year warranty , GE will also provide all labor and in-home service to replace the defective part free of charge .

Water Filter

For The Period Of	GE Will Replace
30 Days From the date of the original purchase	Parts Only .

Advantium Oven

For The Period Of	GE Will Replace
One Year From the date of the original purchase	Any part of the oven which fails due to a defect in materials or workmanship. During this full one-year warranty , GE will provide all labor and in-home service to replace the defective part free of charge .
Ten Years From the second through the tenth year from the date of the original purchase	Halogen Speedcook Lamps , if the halogen lamps fail due to a defect in materials or workmanship. During this full ten-year warranty , GE will provide all labor and in-home service to replace the defective part free of charge . Magnetron Tube , if this part should fail due to a defect in materials or workmanship. During this nine-year limited warranty , you will be responsible for any labor or in-home service costs.

Ranges/Cooktops/Built-In Ovens/Warming Drawers/Hoods

(Excluding CleanDesign Ranges and Cooktops)

For The Period Of	GE Will Replace
One Year From the date of the original purchase	Any part in the cooking product which fails due to a defect in materials or workmanship. During this full one-year warranty , GE will provide all labor and in-home service to replace the defective part free of charge .

Ranges (CleanDesign)

For The Period Of	GE Will Replace
One Year From the date of the original purchase	Any part in the cooking product which fails due to a defect in materials or workmanship. During this full one-year warranty , GE will provide all labor and in-home service to replace the defective part free of charge .
Five Years From the date of the original purchase	Glass-Ceramic Cooktop, Ribbon Heating Elements and Rubber Seal , if any of these parts should fail due to a defect in materials or workmanship. During this five-year limited warranty , GE will replace the defective part free of charge , you will be responsible for service trips and labor charges.

Cooktops (CleanDesign)

For The Period Of	GE Will Replace
One Year From the date of the original purchase	Any part in the cooking product which fails due to a defect in materials or workmanship. During this full one-year warranty , GE will provide all labor and in-home service to replace the defective part free of charge .
Five Years From the date of the original purchase	Glass-Ceramic Cooktop, Ribbon Heating Elements and Rubber Seal , if any of these parts should fail due to a defect in materials or workmanship. During this five-year limited warranty , GE will replace the defective part free of charge , you will be responsible for service trips and labor charges.

Hoods

For The Period Of	GE Will Replace
One Year From the date of the original purchase	Any part in the hood which fails due to a defect in materials or workmanship. During this full one-year warranty , GE will provide all labor and in-home service to replace the defective part free of charge .

What GE Will Not Cover:

- Service trips to your home to teach you how to use the product.
- Improper installation.
- Replacement of house fuses or resetting of circuit breakers.
- Failure of the product if it is abused, misused, or used for other than the intended purpose or used commercially.
- Damage to product caused by accident, fire, floods or acts of God.
- Incidental or consequential damage to personal property caused by possible defects with this appliance.

Microwave Ovens (Over-The-Range models, Built-In models, JEM31SA/WA/GA, JE186OSB/VB/CB/GB, JE1840WB/GB, JE1660WB/GB, JE1640WB/AB/GB, JE1390WA/GA)

For The Period Of	GE Will Replace
One Year From the date of the original purchase	Any part in the microwave which fails due to a defect in materials or workmanship. During this full one-year warranty , GE will provide all labor and in-home service to replace the defective part free of charge .
Ten Years From the date of the original purchase	Magnetron Tube , if this part should fail due to a defect in materials or workmanship. During this nine-year limited warranty , you will be responsible for any labor or in-home service costs.

Microwave Ovens (Models JE1360WB/GB, JE1340WB/GB, JE1060WB/GB, JE1040WB/GB, JEM25WY/GY, JE740WY/GY)

For The Period Of	GE Will Replace
One Year From the date of the original purchase	Any part in the microwave which fails due to a defect in materials or workmanship. During this limited one-year warranty , GE will provide labor and you will be responsible for service trip charges.
Ten Years From the date of the original purchase	Magnetron Tube , if this part should fail due to a defect in materials or workmanship. During this nine-year limited warranty , you will be responsible for any labor or in-home service costs.

Microwave Ovens (Models JE835WW, JE710BA, JE635WW, JE520WC/BW, JE510WC/BW)

For The Period Of	GE Will Replace
One Year From the date of the original purchase	Any part in the microwave which fails due to a defect in materials or workmanship. During this limited one-year warranty , GE will provide labor and you will be responsible for service trip charges.
Five Years From the date of the original purchase	Magnetron Tube , if this part should fail due to a defect in materials or workmanship. During this four-year limited warranty , you will be responsible for any labor or in-home service costs.

Dishwashers (Models GSD5110D, GSD5120D, GSD5130D, GSD5310D, GSD5320D, GSD5330D, GSD5350D, GSD5610D, GSD5620D, GSD5630D, GSD5650D, GSD5910D, GSD5920D, GSD5930D, GSD5940D, GSD5950D)

For The Period Of	GE Will Replace
One Year From the date of the original purchase	Any part in the dishwasher which fails due to a defect in materials or workmanship. During this full one-year warranty , GE will provide, free of charge , all labor and in-home service to replace the defective part.
Two Years From the date of the original purchase	Any part in the dishwasher which fails due to a defect in materials or workmanship. During this two-year limited warranty , you will be responsible for service trip and labor charges.
Five Years From the date of the original purchase	Racks or Electronic Control Board , if either of these part should fail due to a defect in materials or workmanship. During this five-year limited warranty , you will be responsible for service trip and labor charges.
Lifetime of Product From the date of the original purchase	PermaTuf® Tub or Door Liner , if either of these parts should fail due to a defect in materials or workmanship. During this full lifetime warranty , GE will provide, free of charge , all labor and in-home service to repair or replace the defective part.

Dishwashers (Models GSD4010Z, GSD4020Z, GSD4030Z)

For The Period Of	GE Will Replace
One Year From the date of the original purchase	Any part in the dishwasher which fails due to a defect in materials or workmanship. During this full one-year warranty , GE will provide, free of charge , all labor and in-home service to replace the defective part.
Two Years From the date of the original purchase	Any part in the dishwasher which fails due to a defect in materials or workmanship. During this two-year limited warranty , you will be responsible for service trip and labor charges.
Five Years From the date of the original purchase	Racks or Electronic Control Board , if either of these part should fail due to a defect in materials or workmanship. During this five-year limited warranty , you will be responsible for service trip and labor charges.
Twenty Years From the date of the original purchase	PermaTuf® Tub or Door Liner , if either of these parts should fail due to a defect in materials or workmanship. During this full twenty-year warranty , GE will provide, free of charge , all labor and in-home service to repair or replace the defective part.

Dishwashers (Models GSM2100Z, GSC3200Z, GSC3230Z, GSC3400Z, GSC3430Z, GSD2200F, GSD2220F, GSD2230F, GSD3210F, GSD3220F, GSD3230F, GSD3610F, GSD3620F, GSD3630F)

For The Period Of	GE Will Replace
One Year From the date of the original purchase	Any part in the dishwasher which fails due to a defect in materials or workmanship. During this full one-year warranty , GE will provide, free of charge , all labor and in-home service to replace the defective part.
Two Years From the date of the original purchase	Any part of the Water Distribution System , which fails due to a defect in materials or workmanship. Associated inlet & drain plumbing parts are not covered by this warranty. During this second-year limited warranty , you will be responsible for any labor or in-home service costs.
Ten Years From the date of the original purchase	PermaTuf® Tub or Door Liner , if either of these parts should fail due to a defect in materials or workmanship. During this full ten-year warranty , GE will provide, free of charge , all labor and in-home service to replace the defective part.

Dishwashers (Models GSD2000Z, GSD2020Z, GSD2030Z, GSS1800Z)

For The Period Of	GE Will Replace
One Year From the date of the original purchase	Any part in the dishwasher which fails due to a defect in materials or workmanship. During this full one-year warranty , GE will provide, free of charge , all labor and in-home service to replace the defective part.
Ten Years From the date of the original purchase	PermaTuf® Tub or Door Liner , if either of these parts should fail due to a defect in materials or workmanship. During this full ten-year warranty , GE will provide, free of charge , all labor and in-home service to replace the defective part.

Compactors

For The Period Of	GE Will Replace
One Year From the date of the original purchase	Any part in the compactor which fails due to a defect in materials or workmanship. During this full one-year warranty , GE will provide, free of charge , all labor and in-home service to replace the defective part.

Note: See written warranty for details.

This warranty is extended to the original purchaser and any succeeding owner for products purchased for home use within the USA. In Alaska, the One Year Warranty excludes the cost of shipping, or service calls to your home. Some states do not allow the exclusion or limitation of incidental or consequential damages. This warranty gives you specific legal rights, and you may also have other rights which vary from state to state. To know what your legal rights are, consult your local or state consumer affairs office or your state's Attorney General.

Warranty Information (continued)

Disposers (Models GFC305Y, GFC300Y, GFC295Y, GFC290Y)

For The Period Of	GE Will Replace
One Year From the date of the original purchase	Any part in the disposer which fails due to a defect in materials or workmanship. During this full one-year warranty , GE will provide, free of charge , all labor and in-home service to replace the defective part.

Disposers (Models GFC705Y, GFC700Y)

For The Period Of	GE Will Replace
Two Years From the date of the original purchase	Any part in the disposer which fails due to a defect in materials or workmanship. During this full two-year warranty , GE will provide, free of charge , all labor and in-home service to replace the defective part.

Disposers (Model GFC800Y)

For The Period Of	GE Will Replace
Four Years From the date of the original purchase	Any part in the disposer which fails due to a defect in materials or workmanship. During this full four-year warranty , GE will provide, free of charge , all labor and in-home service to replace the defective part.

Disposers (Models GFB1050V, GFC1000Y)

For The Period Of	GE Will Replace
Five Years From the date of the original purchase	Any part in the disposer which fails due to a defect in materials or workmanship. During this full five-year warranty , GE will provide, free of charge , all labor and in-home service to replace the defective part.

GE Profile Performance Series™ and GE Profile™ Washers

For The Period Of	GE Will Replace
One Year From the date of the original purchase	Any part in the washer which fails due to a defect in materials or workmanship. During this full one-year warranty , GE will provide all labor and in-home service to replace the defective part free of charge .
Two Years From the date of the original purchase	Any part in the washer which fails due to a defect in materials or workmanship. During this limited two-year warranty , you will be responsible for service trip and labor charges.
Five Years From the date of the original purchase	ArmorGuard Lid & Cover Protection and Auto Balance Suspension System , if any of these parts should fail due to a defect in materials or workmanship. During this five-year limited warranty , you will be responsible for service trip and labor charges.
Ten Years From the date of the original purchase	Steel Drive Transmission, Outer Tub , if either of these parts should fail due to a defect in materials or workmanship. During this ten-year limited warranty , you will be responsible for service trip and labor charges.
Lifetime From the date of the original purchase	PermaTuf II™ Basket , if this part should fail due to a defect in materials or workmanship. During this lifetime limited warranty , you will be responsible for service trip and labor charges.

GE Washers

For The Period Of	GE Will Replace
One Year From the date of the original purchase	Any part in the washer which fails due to a defect in materials or workmanship. During this full one-year warranty , GE will provide all labor and in-home service to replace the defective part free of charge .
Five Years From the date of the original purchase	Auto Balance Suspension System, ArmorGuard Lid & Cover Protection and Steel Drive Transmission , if any of these parts should fail due to a defect in materials or workmanship. During this five-year limited warranty , you will be responsible for service trip and labor charges.
Ten Years From the date of the original purchase	Outer Tub , if this part should fail due to a defect in materials or workmanship. During this ten-year limited warranty , you will be responsible for service trip and labor charges.
Twenty Years From the date of the original purchase	PermaTuf II™ Basket , if this part should fail due to a defect in materials or workmanship. During this twenty-year limited warranty , you will be responsible for service trip and labor charges.

GE Spacemaker® Washers

For The Period Of	GE Will Replace
One Year From the date of the original purchase	Any part in the washer which fails due to a defect in materials or workmanship. During this full one-year warranty , GE will provide all labor and in-home service to replace the defective part free of charge .
Five Years From the date of the original purchase	Transmission , if this part should fail due to a defect in materials or workmanship. During this five-year limited warranty , you will be responsible for service trip and labor charges.

GE Front Loading Washer

For The Period Of	GE Will Replace
One Year From the date of the original purchase	Any part in the washer which fails due to a defect in materials or workmanship. During this full one-year warranty , GE will provide all labor and in-home service to replace the defective part free of charge .
Five Years From the third year to fifth year from the original purchase	Replacement parts for the suspension, outer tub, motor, driven pulley or motor controller , which prove to be defective in materials or workmanship. During this five-year limited warranty , you will be responsible for service trip and labor charges.
Twenty Years From the date of the original purchase	The inner wash basket , that breaks due to defective materials or workmanship. During this twenty-year limited warranty , you will be responsible for service trip and labor charges.

GE Profile Performance Series™, GE Profile™ and GE Super Capacity and Extra-Large Capacity Dryers

For The Period Of	GE Will Replace
One Year From the date of the original purchase	Any part in the dryer which fails due to a defect in materials or workmanship. During this full one-year warranty , GE will provide all labor and in-home service to replace the defective part free of charge .
Five Years From the date of the original purchase	Dryer Drum , if this should fail due to a defect in materials or workmanship. During this five-year limited warranty , you will be responsible for service trip and labor charges.

GE Large Capacity, Spacemaker® and Front Loading Dryers

For The Period Of	GE Will Replace
One Year From the date of the original purchase	Any part in the dryer which fails due to a defect in materials or workmanship. During this full one-year warranty , GE will provide all labor and in-home service to replace the defective part free of charge .

GE Commercial Laundry

For The Period Of	GE Will Replace
Three Years From the date of the original purchase	Any part in the washer or dryer which fails due to a defect in materials or workmanship. During this limited two-year warranty , you will be responsible for service trip and labor charges.

GE Commercial Stacked Dryers

For The Period Of	GE Will Replace
One Year From the date of the original purchase	Any part in the dryer which fails due to a defect in materials or workmanship. During this limited one-year warranty , you will be responsible for service trip and labor charges.

GE SmartWater™ Filtration Systems

(Models PNRV18ZWW, PNRV18ZBB, PNRV18ZWH, PNRV18ZBL, PNRV12ZBL)

For The Period Of	GE Will Replace
One Year From the date of the original purchase	Any part of the Reverse Osmosis Filtration System which fails due to a defect in materials or workmanship. During this full one-year warranty , GE will provide, free of charge , all labor and in-home service to replace the defective part.

GE SmartWater™ Filtration Systems

(Model GXRV10ABL)

For The Period Of	GE Will Replace
One Year From the date of the original purchase	Any part of the Reverse Osmosis Filtration System which fails due to a defect in materials or workmanship. During this limited one-year warranty , GE will provide, free of charge , all labor (does not include service trip to home) to replace the defective part.

GE SmartWater™ Filtration Systems

(Models GNUL30B, GNUT05B)

For The Period Of	GE Will Replace
One Year From the date of the original purchase	Any part of the Water Filtration System (excluding filters) which fails due to a defect in materials or workmanship. During this full one-year warranty , GE will provide, free of charge , all labor and in-home service to replace the defective part.

GE SmartWater™ Filtration Systems

(Models GXUT03B, GXEM01Z, GNUT03B)

For The Period Of	GE Will Replace
One Year From the date of the original purchase	Any part of the Water Filtration System (excluding filters) which fails due to a defect in materials or workmanship. During this limited one-year warranty , GE will provide, free of charge , all labor (does not include service trip to home) to replace the defective part.

GE SmartWater™ Refrigerator Icemaker Filters

(Models GXILQ, GXITQ, GXITQR)

For The Period Of	Retailer Will Replace
60 Days From the date of the original purchase	During this limited one-year warranty , return to retailer from which it was purchased, along with a copy of "proof of purchase" for product exchange.

GE SmartWater™ Softening Systems

(Models PNSF39Z, PNSF35B, GXSF27B, GNSF18Z)

For The Period Of	GE Will Replace
One Year From the date of the original purchase	Any part of the Water Softening System which fails due to a defect in materials or workmanship. During this full one-year warranty , GE will provide, free of charge , all labor and in-home service to replace the defective part.
Three Years From the date of the original purchase	The Electronic Monitor , if it fails due to a defect in materials or workmanship. During this three-year limited warranty , you will be responsible for any labor or in-home service costs.
Ten Years From the date of the original purchase	A replacement cabinet (brine tank) or resin tank , if either of fails due to a defect in materials or workmanship. During this ten-year limited warranty , you will be responsible for any labor or in-home service costs.

Air Conditioners

(Window, Window Built-In, Built-In Units and Split System Units)

For The Period Of	GE Will Replace
One Year From the date of the original purchase	Any part in the unit which fails due to a defect in materials or workmanship. During this full one-year warranty , GE will provide all labor and in-home service to replace the defective part free of charge .
Five Years From the date of the original purchase	Sealed Refrigeration System , if any of these parts should fail due to a defect in materials or workmanship. During this full five-year warranty , GE will provide all labor and in-home service to replace the defective part free of charge .

Air Conditioners (Zoneline)

For The Period Of	GE Will Replace
One Year From the date of the original purchase	Any part in the unit which fails due to a defect in materials or workmanship. During this full one-year warranty , GE will provide all labor and in-home service to repair or replace the defective part free of charge .
Five Years From the date of the original purchase	Compressor , if this should fail due to a defect in materials or workmanship. During this full five-year warranty , GE will provide labor and in-home service to repair or replace any part of the sealed refrigerating system (the compressor, condenser, evaporator, and all connecting tubing) free of charge .
Second through Fifth Years From the date of the original purchase	Fan motors, switches, thermostat, heater, heater protectors, compressor overload, solenoids, circuit boards, auxiliary controls, thermistors, Freeze Sentinel, frost controls, ICR pump, capacitors, varistors and indoor blower bearing , if these should fail due to a defect in materials or workmanship. During this limited second through fifth year warranty , GE will repair or replace the defective part free of charge , you will be responsible for labor and service trip charges.* *Except in Alaska. See warranty for details.

Dehumidifiers

For The Period Of	GE Will Replace
One Year From the date of the original purchase	Any part in the dehumidifier which fails due to a defect in materials or workmanship. During this limited one-year warranty , GE will provide, free of charge , all labor and in-home service to replace the defective part.*
Five Years From the date of the original purchase	Sealed Refrigeration System (compressor, condenser, dehumidifying coil and all connecting tubing) , if this should fail due to a defect in materials or workmanship. During this limited five-year warranty , GE will provide all labor and in-home service to replace the defective part.* *Full one- and five-year warranty for model AHG20 and GE will provide labor and you will be responsible for service trip charges.

CustomStyle™ No-Frost Side-By-Side Refrigerators

	GE Profile Performance Series™					GE Profile™				
	TPS24PBD TPS24PPD	TPS24BPD	TPX24PBD	TPX24PPD	TPX24BPD	TPS24BID	TPX24PRD	TPX24BRD	TPX24BID	TPX21PRD TPX21BRD
Stainless steel model	●	●				●				
Capacity										
Total (cu. ft.)	23.7	23.7	23.7	23.7	23.7	23.5	23.7	23.7	23.5	21.0
Fresh food (cu. ft.)	14.48	14.48	14.48	14.48	14.48	14.48	14.48	14.48	14.48	13.10
Freezer (cu. ft.)	9.25	9.25	9.25	9.25	9.25	9.05	9.25	9.25	9.05	7.87
Shelf area (sq. ft.)	24.1	24.1	24.1	24.1	24.1	24.0	23.2	23.2	24.0	21.8
Features										
Refreshment Center	●/ -		●							
Electronic Monitor System	●/ -		●							
Exclusive Water by Culligan™	●	●	●	●	●					
	Cubes, Crushed Ice & Chilled Water	Cubes, Crushed Ice & Chilled Water	Cubes, Crushed Ice & Chilled Water	Cubes, Crushed Ice & Chilled Water	Cubes, Crushed Ice & Chilled Water		Cubes, Crushed Ice & Chilled Water	Cubes, Crushed Ice & Chilled Water		Cubes, Crushed Ice & Chilled Water
LightTouch! dispenser						●	●	●	●	●
Auto. factory-installed icemaker & ice bin	●	●	●	●	●	●	●	●	●	●
Cabinet shelves	3 Glass	3 Glass	3 Glass	3 Glass	3 Glass	3 Glass	3 Glass	3 Glass	3 Glass	3 Glass
(adjustable)	3	3	3	3	3	3	3	3	3	3
(slide-out, spill-proof)	2 Glass	2 Glass	2 Glass	2 Glass	2 Glass	2 Glass	2 Glass	2 Glass	2 Glass	2 Glass
ShelfSaver™	●	●	●	●	●					
QuickSpace™ shelf	●	●	●	●	●	●	●	●	●	●
Freshness Center™ (w/spill-proof cover)										
Snack pan (top)	Adj. Humidity	Adj. Humidity	Adj. Humidity	Adj. Humidity	Adj. Humidity	Adj. Humidity	Adj. Humidity	Adj. Humidity	Adj. Humidity	Adj. Humidity
Vegetable/fruit crisper (middle)	Adj. Humidity	Adj. Humidity	Adj. Humidity	Adj. Humidity	Adj. Humidity	Adj. Humidity	Adj. Humidity	Adj. Humidity	Adj. Humidity	Adj. Humidity
Meat pan (lower)	Adj. Temp.	Adj. Temp.	Adj. Temp.	Adj. Temp.	Adj. Temp.	Adj. Temp.	Adj. Temp.	Adj. Temp.	Adj. Temp.	Adj. Temp.
ClearLook™ modular door bins	4 (2 Adj. Gal.)	4 (2 Adj. Gal.)	4 (2 Adj. Gal.)	4 (2 Adj. Gal.)	4 (2 Adj. Gal.)	4 (2 Adj. Gal.)	4 (2 Adj. Gal.)	4 (2 Adj. Gal.)	4 (2 Adj. Gal.)	4 (2 Adj. Gal.)
Dairy compartment w/glass butter dish	●	●	●	●	●	●	●	●	●	●
Beverage rack	●	●	●	●	●	●	●	●	●	●
Egg bin	●	●	●	●	●	●	●	●	●	●
Interior light(s)	2	2	2	2	2	2	2	2	2	1
Freezer slide-out basket(s)	1 Wire Everwhite	1 Wire Everwhite	1 Wire Everwhite	1 Wire Everwhite	1 Wire Everwhite	1 Wire Everwhite	1 Wire Everwhite	1 Wire Everwhite	1 Wire Everwhite	3 Wire Everwhite
Freezer storage bin(s) (wire Everwhite)	1 Sliding	1 Sliding	1 Sliding	1 Sliding	1 Sliding	1 Sliding	1 Sliding	1 Sliding	1 Sliding	1 Sliding
Cantilevered freezer shelf	3 (2 Adj.)	3 (2 Adj.)	3 (2 Adj.)	3 (2 Adj.)	3 (2 Adj.)	4 (3 Adj.)	3 (2 Adj.)	3 (2 Adj.)	4 (3 Adj.)	1 Sliding
Freezer door shelves	4 (2 Adj.)	4 (2 Adj.)	4 (2 Adj.)	4 (2 Adj.)	4 (2 Adj.)	5 (2 Adj.)	4 (2 Adj.)	4 (2 Adj.)	5 (2 Adj.)	4
Adjustable rollers	●	●	●	●	●	●	●	●	●	●
Economical/Quiet										
Quiet Package	II	II	II	II	II	II	II	II	II	I
Auto Energy Saver (condenser loop)	●	●	●	●	●	●	●	●	●	●
Insulation (cabinet)	Foam	Foam	Foam	Foam	Foam	Foam	Foam	Foam	Foam	Foam
Cabinet liner-Baked Enamel-on-Steel	●	●	●	●	●	●	●	●	●	●
Door liner-ABS	●	●	●	●	●	●	●	●	●	●
Appearance										
Color(s) available*	BS	BS	WW, CC, AA, BB	WW, CC, AA, BB	WW, CC, BB	BS	WW, AA, BB	WW, AA, BB	WW, BB	WW, AA, BB WW, BB
Built-in configuration	Trimless	Trimless	Trimless	Trimless	Installed Trim	Trimless	Trimless	Installed Trim	Installed Trim	Trimless Installed Trim
Premium Deluxe door handle(s)	Black	N/A	Color-Matched	Color-Matched	N/A	N/A	Color-Matched	N/A	N/A	Color-Matched -
Full-length handles	N/A	Stainless Steel Appearance	N/A	N/A	Color-Matched	Stainless Steel Appearance	N/A	Color-Matched	Color-Matched	- Color-Matched
Exterior design	Rounded Doors	Squared Doors	Rounded Doors	Rounded Doors	Squared Doors	Squared Doors	Rounded Doors	Squared Doors	Squared Doors	Squared Doors
Textured steel			●	●	●		●	●	●	●
Weights & Dimensions										
Height to top of hinge (in.)	69-3/4	69-3/4	69-3/4	69-3/4	69-3/4	69-3/4	69-3/4	69-3/4	69-3/4	69-3/4
Height to top of case (in.)	68-3/4	68-3/4	68-3/4	68-3/4	68-3/4	68-3/4	68-3/4	68-3/4	68-3/4	68-3/4
Case depth without door (in.)	23-7/8	23-7/8	23-7/8	23-7/8	23-7/8	23-7/8	23-7/8	23-7/8	23-7/8	23-3/4
Case depth less door handle (in.)	26-3/8	26-3/8	26-3/8	26-3/8	26-3/8	26-3/8	26-3/8	26-3/8	26-3/8	26
Case depth with door handle (in.)	28-7/16	28-7/16	28-7/16	28-7/16	28-7/16	28-7/16	28-7/16	28-7/16	28-7/16	28-1/2
Depth w/fresh food door open 90° (in.)	45-5/8	45-5/8	45-5/8	45-5/8	45-5/8	45-5/8	45-5/8	45-5/8	45-5/8	45-5/8
Width (in.)	35-3/4	35-3/4	35-3/4	35-3/4	35-3/4	35-3/4	35-3/4	35-3/4	35-3/4	35-3/4
Width w/door open 90° w/door handle (in.)	40-7/8	40-7/8	40-7/8	40-7/8	40-7/8	40-7/8	40-7/8	40-7/8	40-7/8	40
Air clearances	Each side (in.)	1/8**	1/8**	1/8**	1/8**	1/8**	1/8**	1/8**	1/8**	1/8**
	Top (in.)	1	1	1	1	1	1	1	1	1
	Back (in.)	1/2	1/2	1/2	1/2	1/2	1/2	1/2	1/2	1/2
Approx. shipping weight (lbs.)	376	376	350	350	350	376	350	350	350	336
Accessories										
Factory trim kit attached	N/A	N/A	N/A	N/A	●	N/A	N/A	●	●	N/A
Black acrylic panels (optional)	N/A	N/A	N/A	N/A	TKP24RBBB	N/A	N/A	TKP24RBBB	TKP24IBBB	N/A/TKP21LS
White acrylic panels (optional)	N/A	N/A	N/A	N/A	TKP24RBWW	N/A	N/A	TKP24RBWW	TKP24IBWW	N/A/TKP21LS
Bisque acrylic panels (optional)	N/A	N/A	N/A	N/A	TKP24RBCC	N/A	N/A	TKP24RBCC	N/A	N/A
Almond acrylic panels (optional)	N/A	N/A	N/A	N/A	N/A	N/A	N/A	TKP24RBAA	N/A	N/A
Stainless steel panels (optional)	N/A	N/A	N/A	N/A	TKP24RBSS	N/A	N/A	TKP24RBSS	TKP24IBSS	N/A/TKP21RXSS
Black collar trim (optional)	N/A	N/A	N/A	N/A	TRMBISBB	N/A	N/A	TRMBISBB	TRMBISBB	N/A/TRMBISBB
White collar trim (optional)	N/A	N/A	N/A	N/A	TRMBISWW	N/A	N/A	TRMBISWW	TRMBISWW	N/A/TRMBISWW
Bisque collar trim (optional)	N/A	N/A	N/A	N/A	TRMBISCC	N/A	N/A	TRMBISCC	N/A	N/A
Almond collar trim (optional)	N/A	N/A	N/A	N/A	N/A	N/A	N/A	TRMBISAA	N/A	N/A
Stainless steel collar trim (optional)	N/A	TRMBISSS	N/A	N/A	N/A	TRMBISSS	N/A	N/A	N/A	N/A

*Color(s) available: BS = Black case with stainless steel doors, WW = White on white, CC = Bisque, AA = Almond on almond, BB = Black on black.
 ** If installed against a wall, allow clearance of 11-1/4" on freezer side to remove bin. Clearance required to remove fresh food full size pan without disassembling is 13-1/2".
ALL MODELS AVAILABLE IN U.S. AND CANADA. NOTE: When connecting a water supply line to a GE refrigerator, a GE Water Supply Kit is recommended.

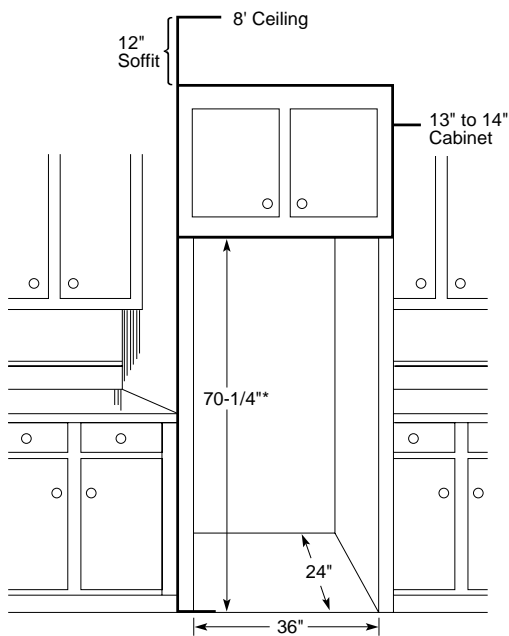
GE Profile Performance™ and GE Profile™ Side-by-Side CustomStyle™ Installation Information and Specifications

Rough-In Dimensions

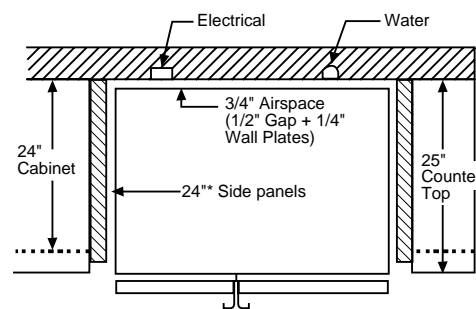
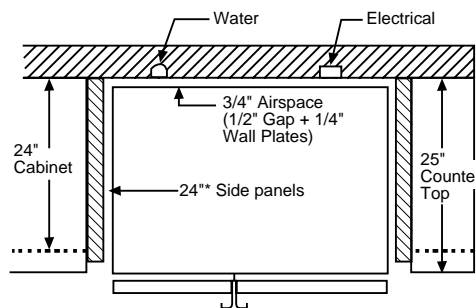
Standard, New Construction and Replacement Installation

Installation Tips to Maximize the Built-In Look

- All wall/floor molding should be removed prior to installation.
- Water recess on rear wall recommended to prevent water line damage. 48" minimum length 1/4" diameter water line tubing recommended.
- When possible, recess both copper water line and electrical outlet. (See local codes)
- Front and rear leveling legs are adjustable for the built-in look. (See owner's manual)
- If optional collar trim kit is to be used or anticipated, see collar trim installation on next page for different rough-in dimensions.



*The rough-in dimension of 70-1/4" is minimum and is measured from the finished floor to top of opening (or the underside of the overhead cabinets). For Models with Trim Kit: If frameless style cabinets are planned for above the refrigerator, you may need to consider adding a maximum of 1/4" (70-1/2") to height of opening to allow additional clearance between cabinet doors and top of refrigerator trim when cabinet doors are in open position.



For 21 cu. ft. models only.

*24" depth applies to the refrigerator opening, not the actual cabinet depth.

Door Panel Dimensions

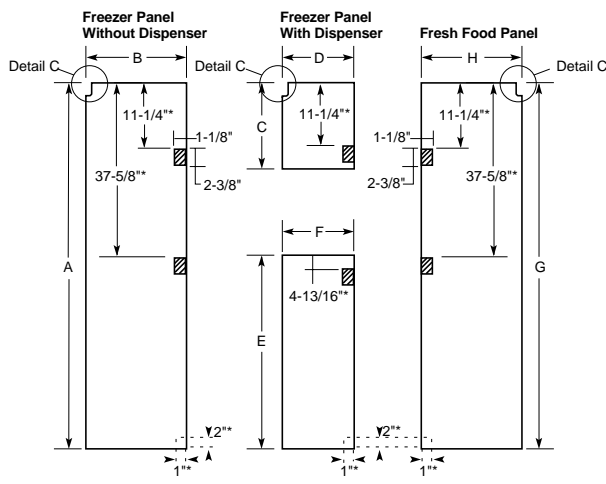
Order your own custom wood panels to match cabinetry or other decor.

	Fresh Food Panels	Freezer Panel With Dispenser	Freezer Panel Without Dispenser	Weight Limits*
21 cu. ft.	G-65-3/16" H-20-1/16"	C-18-3/4" D-14-5/16"	E-32-3/8" F-14-5/16"	Fresh Food = 38 lbs. Freezer = 28 lbs.
24 cu. ft.	G-67-1/8" H-19-5/16"	C-18-13/16" D-14-1/2"	E-34-5/16" F-14-1/2"	Fresh Food = 35 lbs. Freezer = 25 lbs.

Panels up to 1/4" thick will fit door frame with no special preparation. Add filler behind material thinner than 1/4" for proper fit.

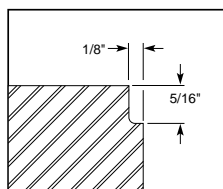
*Total weight of panels (i.e., both freezer panels)

Note: Panels up to 3/4" will require special routing area around handles. Dimensions may vary depending on depth of panel.

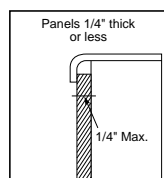


*For 24 cu. ft. models only

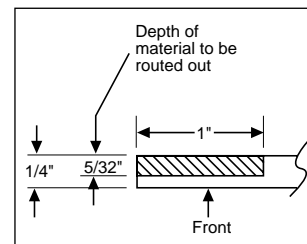
Detail C



(Fresh Food panel shown)
Notch required at top corner as noted.
For 21 and 24 cu. ft. models



All other dotted lines indicate areas that must be routed out about 5/32" (4 mm) on the back side of panels 1/4" (6 mm) thick or more. For panels less than 1/4" (6 mm) thick, these areas can be cut out of the filler panel.



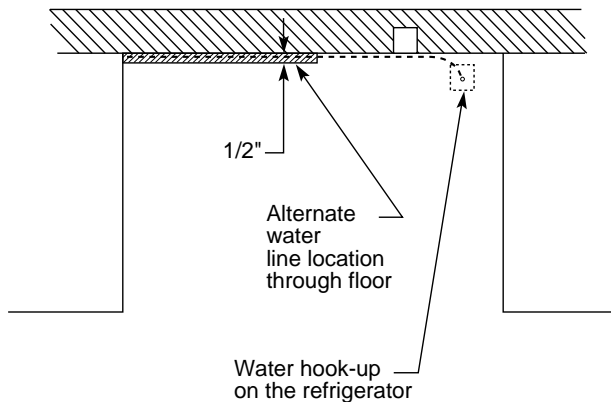
IMPORTANT: Before finalizing specifications for your GE Profile Performance™ and GE Profile™ CustomStyle™ Refrigerator, please NOTE:

- A minimum of 36" is required for refrigerator installation
- Be sure to allow for 1/2" or 3/4" side panels in addition to the 36" minimum

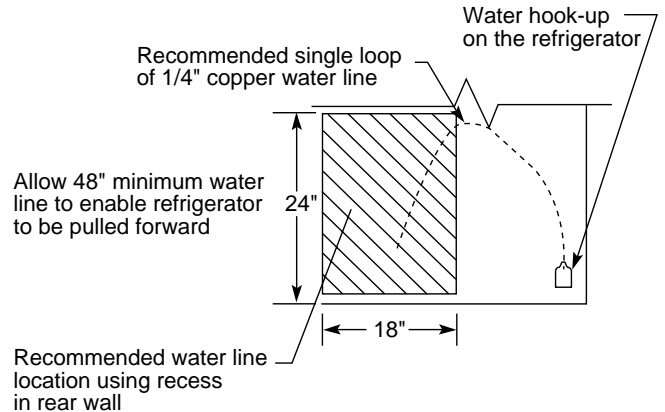
GE Profile Performance™ and GE Profile™ Side-by-Side CustomStyle™ Installation Information and Specifications

Installation of Water and Electrical Outlets

For 21 cu. ft. models only.



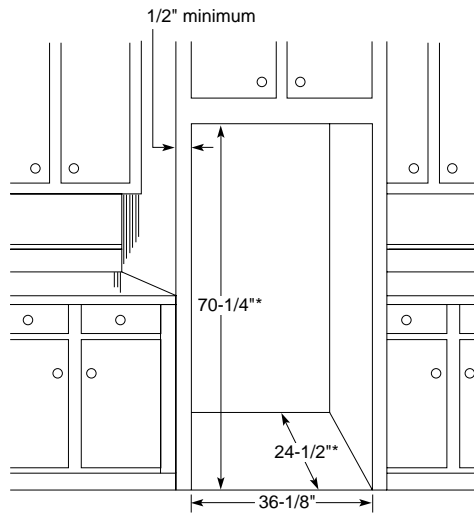
Top View



Rear Wall View

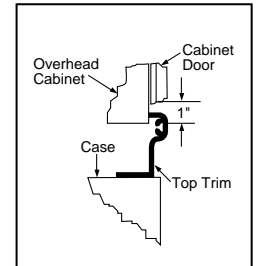
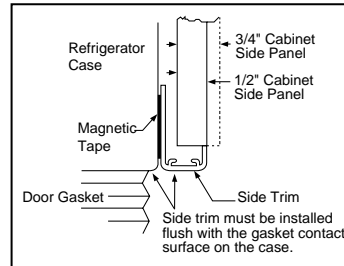
Collar Trim Installation

An enclosure is **required** to match up to the trim, see Typical Installation. To obtain the most integrated look, the cabinet or soffit above the refrigerator should extend out to the same depth as the side panels. The refrigerator opening must have minimum dimensions of 70-1/4" high x 36-1/8" wide x 24-1/2" deep as shown at right. If there is an overhead cabinet, allow 1" for cabinet door clearance with the top trim piece so the cabinet doors can be opened without hitting the top trim. If 1/2" side panels are used, then side trim and panel will be even. If 3/4" side panels are used, then some of the side panel will extend beyond the trim and must be finished.

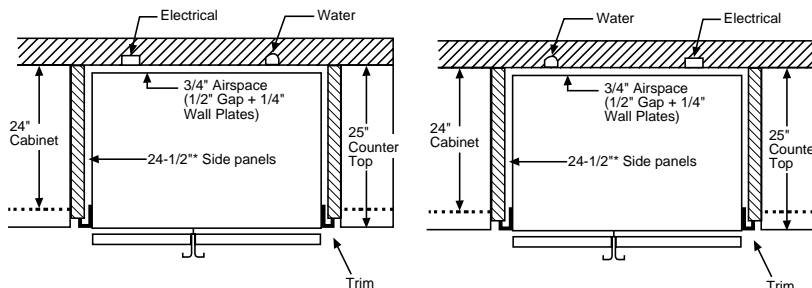
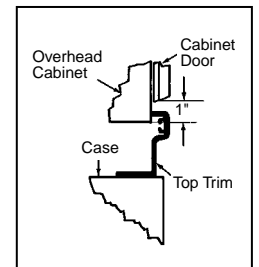
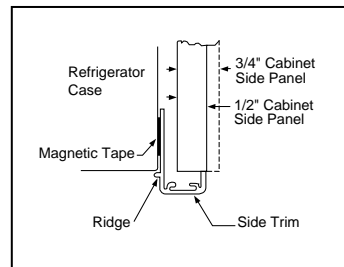


*The rough-in dimension of 70-1/4" is minimum and is measured from the finished floor to top of opening (or the underside of the overhead cabinets). For Models with Trim Kit: If frameless style cabinets are planned for above the refrigerator, you may need to consider adding a maximum of 1/4" (70-1/2") to height of opening to allow additional clearance between cabinet doors and top of refrigerator trim when cabinet doors are in open position.

For 24 cu. ft. models only.



For 21 cu. ft. models only.



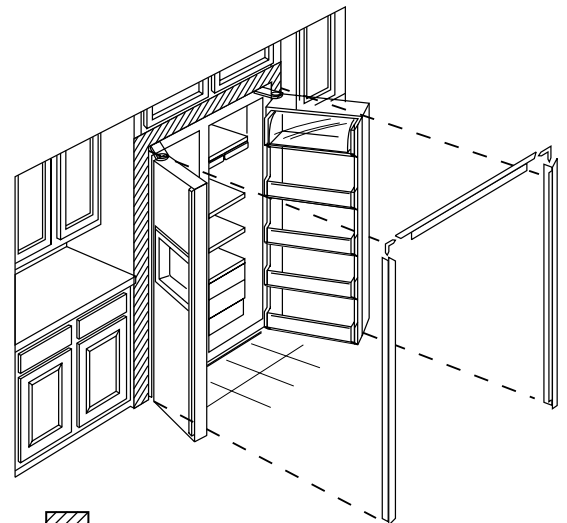
For 21 cu. ft. models only.

For 24 cu. ft. models only.

*24-1/2" depth applies only to the refrigerator opening, not the actual cabinet depth.

IMPORTANT: Before finalizing specifications for your GE Profile Performance™ and GE Profile™ CustomStyle™ Refrigerator, please NOTE:

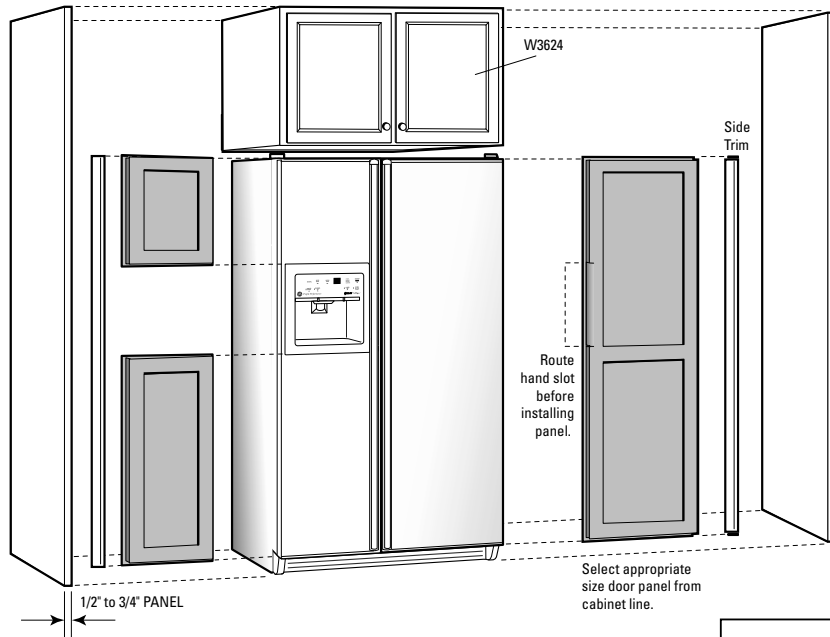
- A minimum of 36-1/8" is required for refrigerator installation with collar
- Be sure to allow for 1/2" or 3/4" side panels in addition to the 36-1/8" minimum



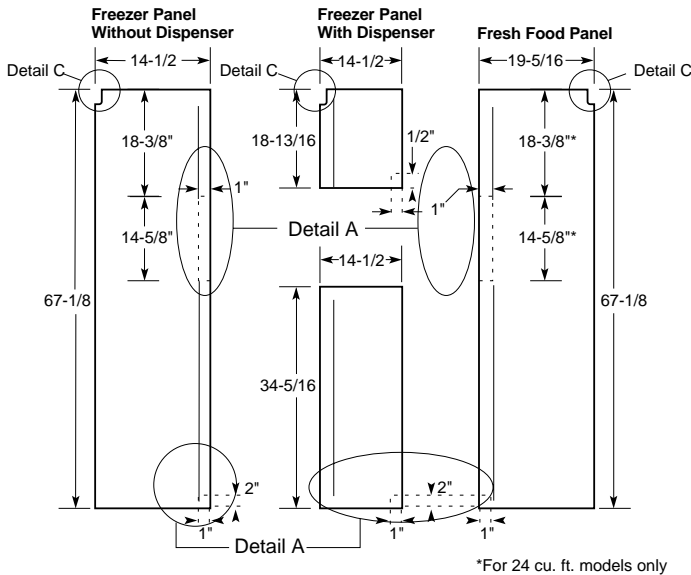
Typical Installation

Shaded areas represent front surfaces of side panels and overhead cabinet or soffit that contacts trim.

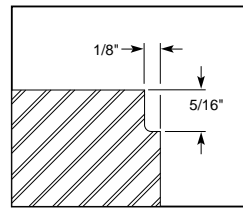
Create a Custom Look for Your Side-by-Side CustomStyle™ Refrigerator



Still another advantage offered by GE Profile Performance™ and GE Profile™ CustomStyle™ Refrigerators is the ease with which it can be installed. For a refrigerator that does so much to enhance the beauty of your kitchen, the “behind-the-scenes” preparation and installation are surprisingly simple.



*For 24 cu. ft. models only



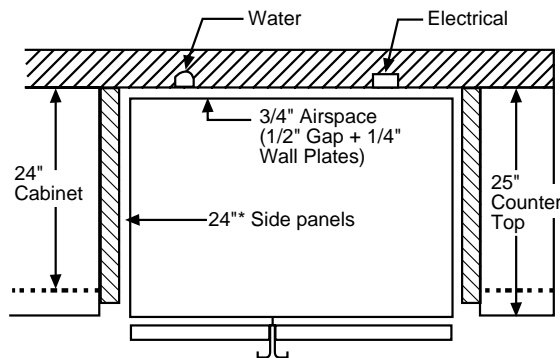
Detail C

Fabricating the Enclosure

- The drawing shows an 84" cabinet elevation. Adjust dimensions accordingly for other cabinet elevations.
- Cabinet pieces to order: (2) side panels and (1) wall cabinet.
- Side panels will typically be attached to adjacent cabinets and/or cleated to rear wall and floor.
- Refer to GE refrigerator installation instructions for proper plumbing, and electrical and air clearances.
- (1) Some framed cabinet lines will make a refrigerator enclosure with a cabinet 12" high x 39" wide with sides and 1-1/2" face frame extended down to floor to create the refrigerator space. This will replace the above construction.
- (2) A tall cabinet on either side of the refrigerator can replace a side panel!
- Counter overhangs on either side of the refrigerator should have clipped corners to allow for full door swing.
- If the refrigerator has a wall returning beyond the front of the refrigerator on either side, a 2" tall filler will help to allow for movement of the door.

Door Panels

- See drawings for exact dimensions of the fresh-food and freezer door panels.
- Refrigerator door fronts from stock and most semi-custom cabinet manufacturers will be supplied as 1/4"-thick panels cut to dimensions, with closest available standard door sizes applied to front.
 - This will leave a “reveal” at top/bottom and sides.
 - Width of “reveal” will depend on manufacturer’s standard door sizes.
 - Door will be affixed on the 1/4" panels at factory or in the field by the local supplier, depending on manufacturer.
- Local shop-built or custom cabinet supplier may fabricate custom 3/4" panels. In this case, edges must be routed.
- Follow notes on drawing to assure room for fingers/hands to open handles.
- Detail A: Dotted line indicates areas that must be routed out about 3/16" (5mm) on the back of side panels 1/4" (6mm) thick or more.



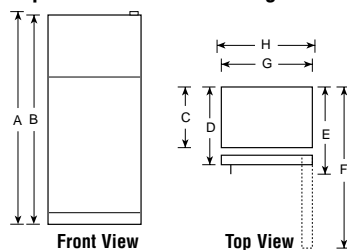
*For 24 cu. ft. models only

CustomStyle™ No-Frost Top-Freezer Refrigerators

	GE Profile Performance Series™					
	TNX22PRC	TNX22PAC	TNS22PRC	TNX22BRC	TNX22BAC	TNS22BRC
Stainless steel model			●			●
Capacity						
Total (cu. ft.)	21.7	21.9	21.7	21.7	21.9	21.7
Fresh food (cu. ft.)	15.4	15.4	15.4	15.4	15.4	15.4
Freezer (cu. ft.)	6.3	6.5	6.3	6.3	6.5	6.3
Shelf area (sq. ft.)	20.0	22.4	20.0	20.0	22.4	20.0
Features						
LightTouch! dispenser	Cubes, Crushed Ice & Chilled Water		Cubes, Crushed Ice & Chilled Water		Cubes, Crushed Ice & Chilled Water	
Automatic icemaker & ice bin	Factory-Installed	Opt. (IM3)	Factory-Installed	Factory-Installed	Opt. (IM3)	Factory-Installed
Ice 'N Easy trays		4			4	
Ice storage bin		●			●	
Cabinet shelves	4 Glass	4 Glass	4 Glass	4 Glass	4 Glass	4 Glass
(adjustable)	4 Split	4 Split	4 Split	4 Split	4 Split	4 Split
(slide-out)	3	3	3	3	3	3
(spill-proof)	4	4	4	4	4	4
QuickSpace™ shelf	●	●	●	●	●	●
Quick Store™ bin	●	●	●	●	●	●
ShelfSaver™	●	●	●	●	●	●
Beverage rack	●	●	●	●	●	●
Window vegetable/fruit crisper	2 Adj. Humidity	2 Adj. Humidity	2 Adj. Humidity	2 Adj. Humidity	2 Adj. Humidity	2 Adj. Humidity
Slide-out, spill-proof crisper cover	●	●	●	●	●	●
Meat pan	Adj. Temperature	Adj. Temperature	Adj. Temperature	Adj. Temperature	Adj. Temperature	Adj. Temperature
ClearLook™ modular door bins	3 Adj. w/Gallon Storage	3 Adj. w/Gallon Storage	3 Adj. w/Gallon Storage	3 Adj. w/Gallon Storage	3 Adj. w/Gallon Storage	3 Adj. w/Gallon Storage
Door shelf	1 Fixed	1 Fixed	1 Fixed	1 Fixed	1 Fixed	1 Fixed
Slide-out, slide-over pans	●	●	●	●	●	●
Snugger™ Clip(s)	2	2	2	2	2	2
Modular dairy compartment	1	1	1	1	1	1
Glass butter dish	●	●	●	●	●	●
Dual upfront temperature control (backlit)	●	●	●	●	●	●
Fresh food upfront lighting	●	●	●	●	●	●
Freezer interior light	●	●	●	●	●	●
Freezer compartment shelf(s) (wire Everwhite)	1 Adj.	2 Adj.	1 Adj.	1 Adj.	2 Adj.	1 Adj.
Freezer door bins	2 Fixed (1 w/gal. storage)	1 F/W, 2 Modular Clear Gallon Bins	2 Fixed (1 w/gal. storage)	2 Fixed (1 w/gal. storage)	1 F/W, 2 Modular Clear Gallon Bins	2 Fixed (1 w/gal. storage)
Adjustable rollers	●	●	●	●	●	●
Economical/Quiet						
Cabinet/door insulation	Foam	Foam	Foam	Foam	Foam	Foam
Cabinet/door liner	ABS	ABS	ABS	ABS	ABS	ABS
Appearance						
Color(s) available*	WW, CC, BB	WW, CC, BB	BS	WW, BB	WW, BB	BS
Door handle(s)	Color-Matched Premium Deluxe	Color-Matched Premium Deluxe	Black Premium Deluxe	Color-Matched Full-Length	Full-Length	Stainless Steel Full-Length
Textured steel doors & case	●	●		●	●	●
Built-in configuration	Trimless	Trimless	Trimless	Installed Trim	Installed Trim	Factory-Installed Trim & Stainless Steel Panels
Exterior design	Rounded Doors	Rounded Doors	Rounded Doors			
Choose right or left door opening	●	●	●	●	●	●
Reversible doors		●				●
Weights & Dimensions						
Height to top of hinge (in.) A	69-7/8	69-7/8	69-7/8	69-15/16	69-15/16	69-15/16
Height to top of case (in.) B	68-3/4	68-3/4	68-3/4	70-7/16	70-7/16	70-7/16
Case depth without door (in.) C	23-3/4	23-3/4	23-3/4	23-3/4	23-3/4	23-3/4
Case depth less door handle (in.) D	26-3/4	26-3/4	26-3/4	26-3/4	26-3/4	26-3/4
Case depth with door handle (in.) E	28-5/8	28-3/8	28-5/8	28-3/8	28-3/8	28-5/8
Depth w/fresh food door open 90° (in.) F	61	61	61	61	61	61
Width (in.) G	35-3/4	35-3/4	35-3/4	35-3/4	35-3/4	35-3/4
Width w/door open 90° w/door handle (in.) H	36-1/4	36-1/4	36-1/4	36-5/8	36-5/8	36-3/8
Air clearances Each side (in.)	1/8	1/8	1/8	1/8	1/8	1/8
Top (in.)	1	1	1	1	1	1
Back (in.)	1/2	1/2	1/2	1/2	1/2	1/2
Approx. shipping weight (lbs.)	325	300	325	325	300	325
Accessories						
Black acrylic panels (optional)	N/A	N/A	N/A	TKP22RCBB	TKP22ACBB	N/A
White acrylic panels (optional)	N/A	N/A	N/A	TKP22RCWW	TKP22ACWW	N/A
Stainless steel panels (optional)	N/A	N/A	N/A	TKP22RCSS	TKP22ACSS	N/A
Black collar trim (optional)	N/A	N/A	N/A	TRMBISBB	TRMBISBB	N/A
White collar trim (optional)	N/A	N/A	N/A	TRMBISWW	TRMBISWW	N/A
Stainless steel collar trim (optional)	N/A	N/A	N/A	TRMBISSS	TRMBISSS	TRMBISSS

*Color(s) available: BS = Black case with stainless steel doors, WW = White on white, CC = Bisque, AA = Almond on almond, BB = Black on black.
ALL MODELS AVAILABLE IN U.S. AND CANADA.

Top-Freezer No-Frost Refrigerator



See page 150 for warranty information.

GE Profile Performance™ Top-Freezer CustomStyle™ Installation Information and Specifications

Rough-In Dimensions

Standard, New Construction and Replacement Installation

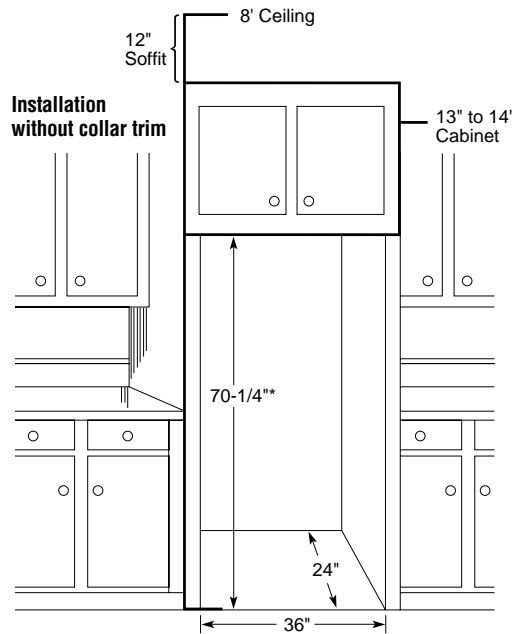
Installation Tips to Maximize the Built-In Look

- All wall/floor molding should be removed prior to installation.
- Water recess on rear wall recommended to prevent water line damage. 48" minimum length 1/4" diameter water line tubing recommended.
- When possible, recess both copper water line and electrical outlet. (See local codes)
- Front and rear leveling legs are adjustable for the built-in look. (See owner's manual)

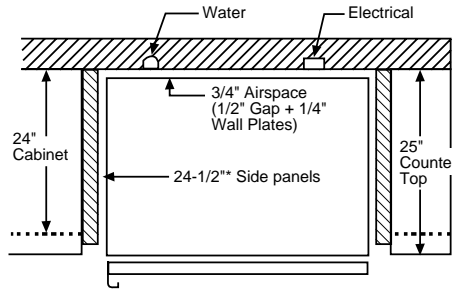
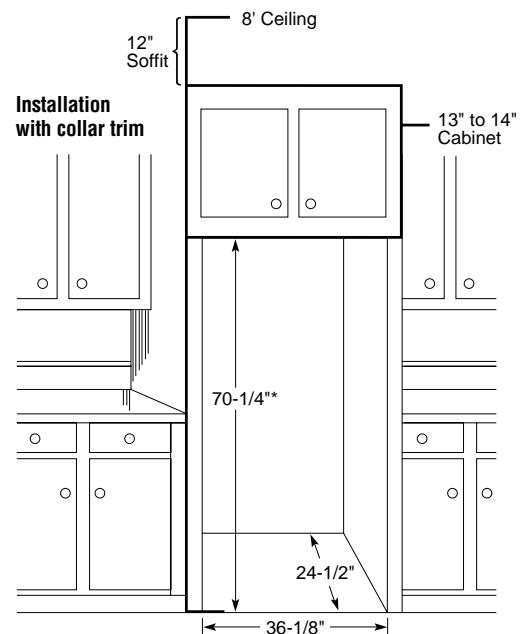
Collar Trim Installation

An enclosure is **required** to match up to the trim, see Typical Installation. To obtain the most integrated look, the cabinet or soffit above the refrigerator should extend out to the same depth as the side panels. The refrigerator opening must have minimum dimensions of 70-1/4" high x 36-1/8" wide x 24-1/2" deep as shown at right. If there is an overhead cabinet, allow 1" for cabinet door clearance with the top trim piece so the cabinet doors can be opened without hitting the top trim. If 1/2" side panels are used, then side trim and panel will be even. If 3/4" side panels are used, then some of the side panel will extend beyond the trim and must be finished.

Rough-In Dimensions



Collar Trim Installation



*The rough-in dimension of 70-1/4" is minimum and is measured from the finished floor to top of opening (or the underside of the overhead cabinets). For Models with Trim Kit: If frameless style cabinets are planned for above the refrigerator, you may need to consider adding a maximum of 1/4" (70-1/2") to height of opening to allow additional clearance between cabinet doors and top of refrigerator trim when cabinet doors are in open position.

For 22 cu. ft. models only.

*22" depth applies to the refrigerator opening, not the actual cabinet depth.

Door Panel Dimensions

Order your own custom wood panels to match cabinetry or other decor.

	Fresh Food Panels	Freezer Panel Without Dispenser	Freezer Panel With Dispenser
22 cu. ft.	B-42-1/4" C-35-3/4"	A-24-1/16" C-35-3/4"	D-24-1/16" C-35-3/4"

Panels up to 1/4" thick will fit door frame with no special preparation. Add filler behind material thinner than 1/4" for proper fit.

Note: Panels up to 3/4" will require special routing area around handles. Dimensions may vary depending on depth of panel.

Handle Side Clearance

—At least 2" (51 mm) on the handle side for fingertip clearances.

Top and Bottom Clearance

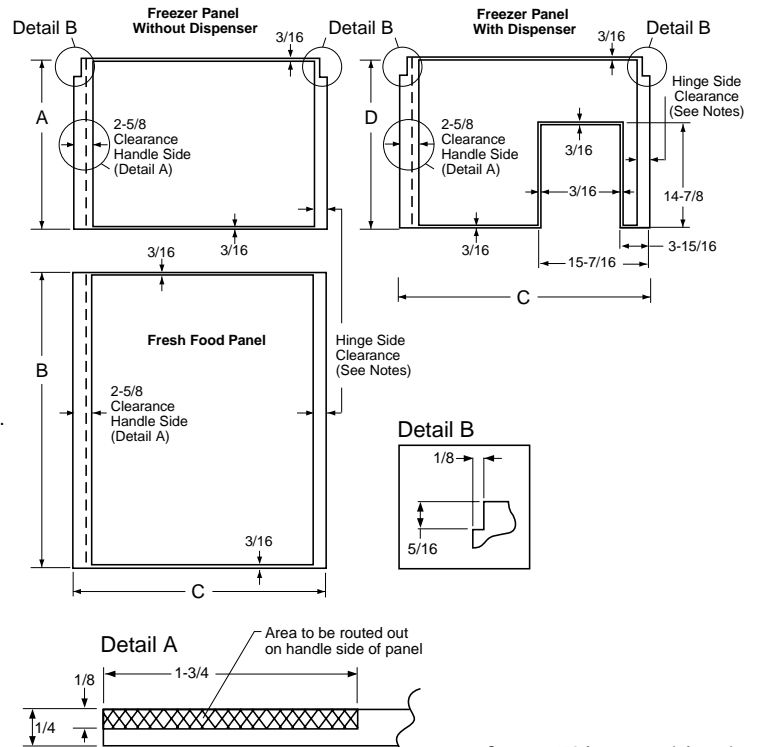
—At least 3/16" (4.75 mm) at the top and bottom edges to allow for trim flange.

Hinge Side Clearance

- A 3/4" (19 mm) thick door panel may strike the adjacent countertops when the door is fully opened. Therefore, the hinge side clearance to raised panel will vary according to the installation situation.
- Allow 1-3/4" (44 mm) clearance when installation does not include side panels.
- The installation of 3/4" (19 mm) thick side panels requires less clearance because the space between the door and adjacent countertop is wider.
- To avoid door contact to countertop consider:
 - Miter the corner of the adjacent countertops 45°, or
 - Pull the refrigerator forward enough to avoid contact.

Stability Leg

- The top-freezer refrigerator is the first cabinet-depth top-freezer. This means depth is more shallow than conventional models and the width is larger. The stability leg gives the unit extra support.



IMPORTANT: Before finalizing specifications for your GE Profile Performance™ CustomStyle™ Refrigerator, please NOTE:

- A minimum of 36" is required for refrigerator installation
- Be sure to allow for 1/2" or 3/4" side panels in addition to the 36" minimum

See page 150 for warranty information.

Side-By-Side Refrigerators

	GE Profile Performance Series™									
	TFX30PBD TFX30PPD	TFS28PBD TFS28PPD	TFX28PBD	TFX28PPD	TFS26PBD TFS26PPD	TFX26PBD TFX26PPD	TFB26SPD TFB26PPD	TFS22PBD TFS22PPD	TFX22PBD TFX22PPD	
Stainless steel model		●			●		●		●	
Capacity										
Total (cu. ft.)	30.0	28.4	28.4	28.4	25.6	25.6	25.6	25.6	21.9	21.9
Fresh food (cu. ft.)	18.15	17.23	17.23	17.23	16.0	16.0	16.0	16.0	14.95	14.95
Freezer (cu. ft.)	11.88	11.18	11.18	11.18	9.59	9.59	9.59	9.59	6.90	6.90
Shelf area (sq. ft.)	30.7	28.6	28.6	28.6	25.3	25.3	25.3	25.3	23.7	23.7
Features										
Refreshment Center	●/-	●/-	●							
Electronic Monitor/Diagnostic System	●/-	●/-	●							
Exclusive Water by Culligan™	●	●	●	●	●	●	●	●	●	●
LightTouch! dispenser	Cubes, Crushed Ice & Chilled Water	Cubes, Crushed Ice & Chilled Water	Cubes, Crushed Ice & Chilled Water	Cubes, Crushed Ice & Chilled Water	Cubes, Crushed Ice & Chilled Water	Cubes, Crushed Ice & Chilled Water	Cubes, Crushed Ice & Chilled Water	Cubes, Crushed Ice & Chilled Water	Cubes, Crushed Ice & Chilled Water	Cubes, Crushed Ice & Chilled Water
Automatic icemaker and ice bin	●	●	●	●	●	●	●	●	●	●
Cabinet shelves (adjustable)	3 Glass	3 Glass	3 Glass	3 Glass	3 Glass	3 Glass	3 Glass	3 Glass	3 Glass	3 Glass
(slide-out, spill-proof)	2 Glass	2 Glass	2 Glass	2 Glass	2 Glass	2 Glass	2 Glass	2 Glass	2 Glass	2 Glass
QuickSpace™ shelf(s)	●	●	●	●	●	●	●	●	●	●
ShelfSaver™	●	●	●	●	●	●	●	●	●	●
Freshness Center™ (w/spill-proof cover)										
Snack pan (top)	Adj. Humid.	Adj. Humid.	Adj. Humid.	Adj. Humid.	Adj. Humid.	Adj. Humid.	Adj. Humid.	Adj. Humid.	Adj. Humid.	Adj. Humid.
Vegetable/fruit crispers (middle)	Adj. Humid.	Adj. Humid.	Adj. Humid.	Adj. Humid.	Adj. Humid.	Adj. Humid.	Adj. Humid.	Adj. Humid.	Adj. Humid.	Adj. Humid.
Meat pan (lower)	Adj. Temp.	Adj. Temp.	Adj. Temp.	Adj. Temp.	Adj. Temp.	Adj. Temp.	Adj. Temp.	Adj. Temp.	Adj. Temp.	Adj. Temp.
ClearLook™ modular door bins	4 w/Super Gal. storage (1 Adj.) 4 w/Super Gal. storage (3 Adj.)	4 w/gal. storage (1 Adj.) 4 w/gal. storage (2 Adj.)	4 w/gal. storage (1 Adj.)	4 w/gal. storage (2 Adj.)	4 (2 Adj. w/ gal. storage)	4 (2 Adj. w/ gal. storage)	4 (2 Adj. w/ gal. storage)	4 (2 Adj. w/ gal. storage)	4 (2 Adj. w/ gal. storage)	4 (2 Adj. w/ gal. storage)
Dairy compartment w/glass butter dish	●	●	●	●	●	●	●	●	●	●
Beverage rack	●	●	●	●	●	●	●	●	●	●
Egg bin (clear)	●	●	●	●	●	●	●	●	●	●
Interior light(s)	2	2	2	2	2	2	2	2	2	2
Freezer compartment shelves (wire Everwhite)	3 (2 Adj.)	3 (2 Adj.)	3 (2 Adj.)	3 (2 Adj.)						
Freezer slide-out baskets (wire Everwhite)	1 Adj.	1 Adj.	1 Adj.	1 Adj.	3	3	3	3	3	3
Freezer storage bin(s) (wire Everwhite)	1 Sliding	1 Sliding	1 Sliding	1 Sliding	1 Sliding	1 Sliding	1 Sliding	1 Sliding	1 Sliding	1 Sliding
Freezer door shelves	4 Extra-Deep (2 Adj.)	4 (2 Adj.)	4 (2 Adj.)	4 (2 Adj.)	5	5	5	5	5	5
Adjustable rollers	●	●	●	●	●	●	●	●	●	●
Economical/Quiet										
Quiet Package II	●	●	●	●	●	●	●	●	●	●
Automatic Energy Saver (condenser loop)	●	●	●	●	●	●	●	●	●	●
Cabinet and door insulation	Foam	Foam	Foam	Foam	Foam	Foam	Foam	Foam	Foam	Foam
Cabinet liner—Baked enamel-on-steel	●	●	●	●	●	●	●	●	●	●
Door liner—ABS	●	●	●	●	●	●	●	●	●	●
Appearance										
Color(s) available*	WW, CC, AA, BB	BS	WW, CC, AA, BB	WW, CC, AA, BB	BS	WW, CC, AA, BB	BS	WW, CC, BB	BS	WW, CC, AA, BB
Premium deluxe door handle(s)	Color-Matched	Black	Color-Matched	Color-Matched	Black	Color-Matched	Black	Color-Matched	Black	Color-Matched
Exterior design	Rounded Doors	Rounded Doors	Rounded Doors	Rounded Doors			Contour Doors	Contour Doors		
Textured steel doors and case	●		●	●		●				●
Weights & Dimensions										
Height to top of hinge (in.) A	69-3/4	69-3/4	69-3/4	69-3/4	69-3/4	69-3/4	69-3/4	69-3/4	67-5/8	67-5/8
Height to top of case (in.) B	68-3/4	68-3/4	68-3/4	68-3/4	68-3/4	68-3/4	68-3/4	68-3/4	66-5/8	66-5/8
Case depth without door (in.) C	28**	28	28	28	28	28	28	28	28	28
Case depth less door handle (in.) D	32-1/4**	30-1/2	30-1/2	30-1/2	30-1/4	30-1/4	31-1/4	31-1/4	30-1/4	30-1/4
Case depth with door handle (in.) E	34-1/2**	32-5/8	32-5/8	32-5/8	32-1/2	32-1/2	33-1/2	33-1/2	32-1/2	32-1/2
Depth with door open 90° (in.) F	49-1/4**	49-3/8	49-3/8	49-3/8	49-3/4	49-3/8	49-3/8	49-3/8	49-3/8	49-3/8
Width (in.) G	35-3/4	35-3/4	35-3/4	35-3/4	35-3/4	35-3/4	35-3/4	35-3/4	33-1/2	33-1/2
Width with door open 90° less door handle (in.) H	40-5/8	38	38	38	36-1/8	36-1/8	37-1/8	37-1/8	34-1/4	34-1/4
Air clearances Each side (in.)	1/8†	1/8†	1/8†	1/8†	3/4†	3/4†	3/4†	3/4†	3/4†	3/4†
Top (in.)	1	1	1	1	1	1	1	1	1	1
Back (in.)	1/2	1/2	1/2	1/2	1	1/2	1	1	1	1
Approx. shipping weight (lbs.)	395	421	395	395	361	335	361	421	310	332
Accessories										
Aluminum trim kit	TK30FBAL TK30RBAL	N/A	TK28FBAL	N/A	N/A	TK26RBAL	N/A	N/A	N/A	N/A
Black acrylic panels	N/A	N/A	TKP28FB	N/A	N/A	TKP26RB	N/A	N/A	N/A	N/A
Magnetic black acrylic panels and trim kit	N/A	N/A	N/A	N/A	N/A	TFP26RB	N/A	N/A	TFP22RB	N/A
Stainless steel panels	TKP30FBSS TKP30RBSS	N/A	N/A	N/A	N/A	N/A	N/A	N/A	N/A	N/A

*Color(s) available: BS = Black case with stainless steel doors, WW = White on white, CC = Bisque, AA = Almond on almond, BB = Black on black.

**Add 9/16" for water hook-up. Hook-up fits in 5/8" back air clearance when calculating installation depth.

†If installed against a wall, allow clearance of 11-1/4" on freezer side to remove ice bin.

To remove fresh food pans, remove door bins.

Clearances required to remove fresh food full-size pan without disassembling:

10-1/2" on 22 cu. ft.; 13-5/8" on 26 cu. ft.; 15-3/4" on 28 cu. ft.; 13" on 30 cu. ft.

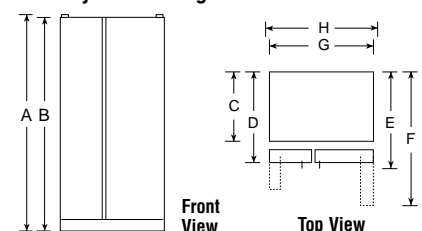
For Built-In Appearance allow height space of 69-3/4" on 26 and 28 cu. ft.

Plus, allow additional space for any necessary leveling adjustments.

ALL MODELS AVAILABLE IN U.S. AND CANADA.

Note: If the doors cannot be fully opened because of an obstruction or a wall on either side, a door stop should be installed to prevent door or wall damage. If the doors cannot be opened at least 90 degrees, access to the drawers is limited.

Side-By-Side Refrigerators



Side-By-Side Refrigerators

	GE Profile™			GE "Z" Series		GE "C" Series		GE "J" Series		GE "S" Series
	TFX26PRD	TFX25PAD	TFX22PRD	TFX26ZPD	TFX22ZPD	TFX26CPD TFX26CRD	TFX22CRD	TFX20JRB	TFX20JAB	TFX20SAB
Capacity										
Total (cu. ft.)	25.6	25.4	21.9	25.6	21.9	25.6	21.9	19.9	19.7	19.7
Fresh food (cu. ft.)	16.0	16.0	14.95	16.0	14.95	16.0	14.95	12.95	12.95	12.95
Freezer (cu. ft.)	9.59	9.40	9.0	9.59	6.90	9.59	6.90	6.90	6.79	6.79
Shelf area (sq. ft.)	24.3	25.9	22.8	24.7	23.0	24.7	23.0	20.1	20.6	20.6
Features										
Exclusive Water by Culligan™				●	●	●/-				
LightTouch! dispenser	Cubes, Crushed Ice & Chilled Water		Cubes, Crushed Ice & Chilled Water	Cubes, Crushed Ice & Chilled Water	Cubes, Crushed Ice & Chilled Water	Cubes, Crushed Ice & Chilled Water	Cubes, Crushed Ice & Chilled Water	Cubes, Crushed Ice & Chilled Water		
Automatic icemaker and ice bin	●	Opt. (IM3)	●	●	●	●	●	●	Opt. (IM3)	Opt. (IM3)
Ice 'N Easy trays		2							2	2
Ice storage bin		●							●	●
Cabinet shelves	3 Glass	3 Glass	3 Glass	3 Glass	3 Glass	3 Glass	3 Glass	3 Glass	3 Glass	3 Glass Everwhite
(adjustable)	3	3	3	3	3	3	3	3	3	3
(slide out)	2 Glass	2 Glass	2 Glass							
(spill-proof)	2	2	2	●	●	●	●			
QuickSpace™ shelf	●	●	●	●	●	●	●			
Freshness Center™										
Snack pan (top)	Adj. Humid.	Adj. Humid.	Adj. Humid.							
Vegetable/fruit crispers (upper)	Adj. Humid.	Adj. Humid.	Adj. Humid.							
Meat pan (lower)	Adj. Temp.	Adj. Temp.	Adj. Temp.							
Sealed snack pan				●	●	●	●			
Vegetable/fruit crispers (upper)				1 Adj. Humid.	1 Adj. Humid.	1 Adj. Humid.	1 Adj. Humid.	1 Sealed	1 Sealed	2 (1 Sealed)
Meat pan (lower)				1 Adj. Temp.	1 Adj. Temp.	1 Adj. Temp.	1 Adj. Temp.	1 Adj. Temp.	1 Adj. Temp.	
ClearLook™ door bins	●	●	●							
Modular door bins	4 (2 Adj. w/ gal. storage)	4 (2 Adj. w/ gal. storage)	4 (2 Adj. w/ gal. storage)	4 (2 Adj. w/ gal. storage)	4 (2 Adj. w/ gal. storage)	4 (2 Adj. w/ gal. storage)	4 (2 Adj. w/ gal. storage)	4 (2 w/ gal. storage)	4 (2 w/ gal. storage)	4 (2 w/ gal. storage)
Snugger™ Clip(s)				2	2	2	2	2	2	2
Dairy compartment w/butter dish	●	●	●	●	●	●	●	●	●	●
Beverage rack	●	●	●	●	●	●	●	●	●	●
Utility/egg bin (clear)	●	●	●	●	●	●	●	●	●	●
Interior light(s)	2	2	2	2	2	2	2	1	1	1
Freezer compartment shelves (wire Everwhite)		1 Adj.		3 Adj.	3 Adj.	3 Adj.	3 Adj.	3 Adj.	4 Adj.	4 Adj.
Freezer slide-out baskets	3 wire Everwhite	3 wire Everwhite	3 wire Everwhite							
Freezer storage bin(s)	1 Sliding	1 Sliding	1 Sliding	1 Sliding	1 Sliding	1 Sliding	1 Sliding	1 Sliding	1 Sliding	1 Sliding
Freezer door shelves	5	6	5	5	5	5	5	5	6	6
Adjustable rollers	●	●	●	●	●	●	●	●	●	●
Economical/Quiet										
Quiet Package I	●	●	●	●	●	●	●	●	●	●
Automatic Energy Saver (condenser loop)	●	●	●	●	●	●	●	●	●	●
Cabinet insulation	Foam	Foam	Foam	Foam	Foam	Foam	Foam	Foam	Foam	Foam
Cabinet liner—Baked enamel-on-steel	●	●	●	●	●	●	●	●	●	●
Door liner—ABS	●	●	●	●	●	●	●	●	●	●
Appearance										
Color(s) available*	WW, AA, BB	WW, AA, BB	WW, AA, BB	WW, CC, AA, BB	WW, CC, AA, BB	WW, CC, AA, BB	WW, CC, AA, BB	WW, AA, WH	WW, AA	WW, AA
Deluxe door handle(s)	CM/Premium	CM/Premium	CM/Premium	CM	CM	CM/Premium	CM/Premium	CM, Black	CM, Black	CM
Textured steel doors and case	●	●	●	●	●	●	●	●	●	●
Weights & Dimensions										
Height to top of hinge (in.) A	69-3/4	69-3/4	67-5/8	69-3/4	67-5/8	69-3/4	67-5/8	67-5/8	67-5/8	67-5/8
Height to top of case (in.) B	68-3/4	68-3/4	66-5/8	68-3/4	66-5/8	68-3/4	66-5/8	66-5/8	66-5/8	66-5/8
Case depth without door (in.) C	28	28	28	28	28	28	28	28	28	28
Case depth less door handle (in.) D	30-1/4	30-1/4	30-1/4	30-1/4	30-1/4	30-1/4	30-1/4	30-1/4	30-1/4	30-1/4
Case depth with door handle (in.) E	32-1/2	32-1/2	32-1/2	32-1/2	32-1/2	32-1/2	32-1/2	32-1/2	32-1/2	32-1/2
Depth with door open 90° (in.) F	49-3/4	49-3/4	49-3/8	49-3/4	47-3/8	49-3/4	49-3/8	47-3/8	47-3/8	47-3/8
Width (in.) G	35-3/4	35-3/4	33-1/2	35-3/4	31-1/2	35-3/4	33-1/2	31-1/2	31-1/2	31-1/2
Width with door open 90° less door handle (in.) H	36-1/8	36-1/8	34-1/4	36-1/8	34-3/8	36-1/8	34-1/4	32-1/4	32-1/4	32-1/4
Air clearances										
Each side (in.)	3/4†	3/4†	3/4†	3/4†	3/4†	3/4†	3/4†	3/4†	3/4†	3/4†
Top (in.)	1	1	1	1	1	1	1	1	1	1
Back (in.)	1	1	1	1	1	1	1	1	1	1
Approx. shipping weight (lbs.)	335	335	310	335	310	335	310	327	327	296
Accessories										
Aluminum trim kit	TK26RBAL	N/A	N/A	TK26RBAL	N/A	TK26RBAL	N/A	N/A	N/A	N/A
Black acrylic panels	TKP26RB	N/A	N/A	TKP26RB	N/A	TKP26RB	N/A	N/A	N/A	N/A
Magnetic black acrylic panels and trim kit	N/A	N/A	TFP22RB	TFP26RB	N/A	N/A	TFP22RB	TFP20RB	N/A	N/A
Stainless steel panels	N/A	N/A	N/A	N/A	N/A	N/A	N/A	N/A	N/A	N/A

*Color(s) available: WW = White on white, CC = Bisque, AA = Almond on almond, BB = Black on black, WH = White with black handles and dispenser.

CM = Color-Matched indicates color of handle(s) matches exterior.

†If installed against a wall, allow clearance of 11-1/4" on freezer side to remove ice bin.

To remove fresh food pans, remove door bins.

Clearances required to remove fresh food full-size pan without disassembling is 10-1/2" on 20/22 cu. ft.;

13-5/8" on 26 cu. ft. For Built-In appearance, allow height space of 69-3/4" on 26 cu. ft.

Plus, allow additional space for any necessary leveling adjustments.

ALL MODELS AVAILABLE IN U.S. AND CANADA.



Total volume and shelf area are calculated by the Association of Home Appliance Manufacturers' standards.



Listed by Underwriters Laboratories

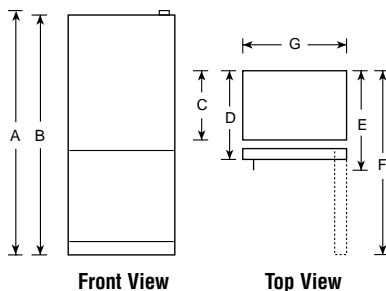
See page 150 for warranty information.

Bottom-Freezer Refrigerators

	GE Profile™				GE
	TCX22PAC	TCS18PAD	TCD18PAD	TCX18PAD	TCX18IAD
Capacity					
Total (cu. ft.)	21.7	17.6	17.6	17.6	17.6
Fresh food (cu. ft.)	15.20	12.9	12.9	12.90	12.90
Freezer (cu. ft.)	6.51	4.7	4.7	4.7	4.7
Shelf area (sq. ft.)	30.11	22.7	22.7	23.0	23.0
Features					
Automatic icemaker	Opt. (UK-3S)	Opt. (IM3)	Opt. (IM3)	Opt. (IM3)	Opt. (IM3)
Ice 'N Easy trays	2	2	2	2	2
Ice tray shelf	●			●	●
Ice storage bin	Bucket	Bucket	Bucket	Bucket	●
Cabinet shelves	4 Glass	4 Glass	4 Glass	4 Glass	4 Glass
(adjustable)	4 Split	4 Split	4 Split	4 Split	4 Split
(spill-proof)	4	4	4	4	
Snack pan	●	●	●	●	●
Vegetable/fruit crisper(s)	2 Adj. Humid.	2 Adj. Humid.	2 Adj. Humid.	2 Adj. Humid.	2 Adj. Humid.
Utility egg bin	●	●	●	●	
Modular door bins	4 Adj.	4 Adj.	4 Adj.	4 Adj.	4 Adj.
Enclosed door shelf (full-width)	1 Fixed w/ gallon storage	1 Fixed w/ gallon storage	1 Fixed w/ gallon storage	1 Fixed w/ gallon storage	1 Fixed w/ gallon storage
ShelfSaver™	●	●	●	●	
Dairy compartments	2 Adj. w/ butter dish	1 Clear w/ butter dish	1 Clear w/ butter dish	1 Clear w/ butter dish	1 Clear w/ butter dish
Interior light	●	●	●	●	●
Slide 'n Store™ Freezer Drawer		●	●		
Wire Everwhite freezer storage basket	1 Full-Width Sliding	2 Sliding	2 Sliding	1 Full-Width	1 Full-Width Sliding
Freezer compartment shelf	1 Full-Width			1 Full-Width	1 Full-Width
Freezer door shelves	2 Full-Width 2 Half-Width			2 Full-Width	2 Full-Width
Freezer interior light	●	●	●	●	
Upfront freezer control	●				
Economical/Quiet					
Cabinet/door insulation	Foam	Foam	Foam	Foam	Foam
Cabinet liner	ABS	Steel	Steel	Steel	Steel
Door liner	HIPS	ABS	ABS	ABS	ABS
Appearance					
Color(s) available*	WW, AA, BB	BS	WW, AA, BB	WW, AA, BB	WW, AA
Door handle(s)	Color-Matched	Tubular Stainless Steel	CM Full-Length	CM Full-Length	CM Full-Length
Textured steel doors and case	●		●	●	●
Door stops	●	●	●	●	●
Reversible doors	●		●	●	
Adjustable front rollers	●	●	●	●	●
Coil-free back	●	●	●	●	●
Weights & Dimensions					
Height to top of hinge (in.) A	68-3/8	66-1/4	66-1/4	66-1/4	66-1/4
Height to top of case (in.) B	67-5/8	65-3/4	65-3/4	65-3/4	65-3/4
Case depth without door (in.) C	28-3/4	26-1/4	26-1/4	26-1/4	26-1/4
Case depth less door handle (in.) D	32-3/4	28	28	28	28
Case depth with door handle (in.) E	35-1/8	29-1/8	29-1/8	29-1/8	29-1/8
Depth with door open 90° (in.) F	64-1/2	57-1/4	57-1/4	57-1/4	57-1/4
Width (in.) G	32-5/8	31	31	31	31
Side clearance for 90° door open	2-1/8	1-3/4	1-3/4	1-3/4	1-3/4
Air clearances	Each side (in.)	0	0	0	0
	Top (in.)	1	1	1	1
	Back (in.)	1	0**	0**	0**
Approx. shipping weight (lbs.)	329	267	257	247	247

*Color(s) available: BS = Black case with stainless steel doors, WW = White on white, AA = Almond on almond, BB = Black on black, CM = Color-Matched.
 **Metal cover on back, when touching wall, gives 1-1/4" clearance.

Bottom-Freezer Refrigerators



See page 150 for warranty information.

Top-Freezer No-Frost Refrigerators

	GE Profile™					
	TBX25PRB	TBX25PAB	TBX22PRB	TBX22PAB	TBX22PIB	TBX19PAB
Capacity						
Total (cu. ft.)	24.7	24.7	21.6	21.6	21.6	19.0
Fresh food (cu. ft.)	17.12	17.12	14.96	14.96	14.96	13.61
Freezer (cu. ft.)	7.60	7.60	6.65	6.65	6.65	5.40
Shelf area (sq. ft.)	27.0	31.5	23.9	28.3	27.5	24.8
Features						
LightTouch! dispenser	Cubes, Crushed Ice & Water		Cubes, Crushed Ice & Water			
Automatic icemaker and ice bin	Factory-Installed	Opt. (IM3)	Factory-Installed	Opt. (IM3)	Factory-Installed	Opt. (IM3)
Ice 'N Easy trays		4		4		4
Ice storage bin	Dispenser	Pan w/handle	Dispenser	Pan w/handle	Ice Bucket	Pan w/handle
High ice shelf	●	●	●	●		●
Cabinet shelves	4 Glass	4 Glass	4 Glass	4 Glass	4 Glass	4 Glass
(adjustable)	4 Split	4 Split	4 Split	4 Split	4 Split	4 Split
(slide-out)	3	3	3	3	3	3
(spill-proof)	4	4	4	4	4	4
Quick Store™ bin	●	●	●	●	●	●
Quick Serve™ storage dishes	On Door	On Door	On Door	On Door	On Door	On Door
ShelfSaver™	●	●	●	●	●	●
Vegetable/fruit crisper(s)	2 Adj. Humidity	2 Adj. Humidity	2 Adj. Humidity	2 Adj. Humidity	2 Adj. Humidity	2 Adj. Humidity
Meat pan	Adj. Temp.	Adj. Temp.	Adj. Temp.	Adj. Temp.	Adj. Temp.	Adj. Temp.
Modular gallon door bins	4 (3 Adj. w/ gal. storage)	4 (3 Adj. w/ gal. storage)	4 (3 Adj. w/ gal. storage)	4 (3 Adj. w/ gal. storage)	4 (3 Adj. w/ gal. storage)	5 (4 Adj. w/ gal. storage)
Slide-out, slide-over pans	●	●	●	●	●	●
Snugger™ Clip(s)	2	2	2	2	2	2
Dairy compartment	●	●	●	●	●	●
Butter dish	●	●	●	●	●	●
Condiment caddy (removable)	●	●	●	●	●	●
Freezer interior light(s)	●	●	●	●	●	●
Freezer compartment shelf(s) (wire Everwhite)	1 Adj.	1 F/W (2-Pos.)	1 Adj.	1 F/W (2-Pos.)	1 F/W (2-Pos.)	1 F/W (2-Pos.)
Freezer door shelves	2 (1 Adj.) Bins	3 (1 Adj.) Bins	2 (1 Adj.) Bins	3 (1 Adj.) Bins	3 (1 Adj.) Bins	3 (1 Adj.) Bins
Freezer adjustable trivet	●	●	●	●	●	●
Cross-brace retainer	●	●	●	●	●	●
Adjustable rollers	●	●	●	●	●	●
Economical/Quiet						
Quiet Package I	●	●	●	●	●	●
Energy Saver Switch	●	●	●	●	●	●
Cabinet/door insulation	Foam	Foam	Foam	Foam	Foam	Foam
Cabinet/door liner	ABS	ABS	ABS	ABS	ABS	ABS
Appearance						
Color(s) available*	WW, CC, AA, BB	WW, CC, AA, BB	WW, CC, AA, BB	WW, CC, AA, BB	WW, CC, AA, BB	WW, CC, AA, BB
Deluxe door handle(s)	CM/Premium	CM/Premium	CM/Premium	CM/Premium	CM/Premium	CM/Premium
Customer installed handles	●	●	●	●	●	●
Textured steel doors & case	●	●	●	●	●	●
Reversible doors**	●	●	●	●	●	●
Choose right or left door opening	●		●			
Weights & Dimensions						
Height to top of hinge (in.) A	67-7/8	67-7/8	66-3/4	66-3/4	66-3/4	64-3/4
Height to top of case (in.) B	67-1/8	67-1/8	66-1/4	66-1/4	66-1/4	64
Case depth without door (in.) C	27-3/4	27-3/4	27-5/8	27-5/8	27-5/8	27-3/4
Case depth less door handle (in.) D	31-1/4	31-1/4	31-1/8	31-1/8	31-1/8	31
Case depth with door handle (in.) E	33	33	33	33	33	32-3/4
Depth with door open 90° (in.) F	63-3/8	63-3/8	59-7/8	59-7/8	59-7/8	58-1/8
Width (in.) G	34-5/8	34-5/8	31-1/4	31-1/4	31-1/4	29-3/8
Width with door open 90° less door handle (in.) H	36	36	32-1/2	32-1/2	32-1/2	30-3/4
Air clearances	Each side (in.)	3/4	3/4	3/4	3/4	3/4
	Top (in.)	1	1	1	1	1
	Back (in.)	1	1	1	1	1
Approx. shipping weight (lbs.)	300	266	300	270	270	236
Accessories						
Aluminum trim kit	N/A	TMK25LL† TMK25K††	N/A	N/A	N/A	N/A
Magnetic black acrylic panel kit	N/A	TMP25K	N/A	N/A	N/A	N/A

*Color(s) available: WW = White on white, CC = Bisque, AA = Almond on almond, BB = Black on black, CM = Color-Matched.

**Order as right-hand door opening with option to change to left-hand door opening.

†For use on left-hand door opening.

††For use on right-hand door opening.

Note: Clearance dimensions for any 19 cu. ft., 22 cu. ft., and 25 cu. ft. refrigerators with extra-deep doors, need an additional 3-5/8" for 90° door opening.

MODEL TBX19PAB IS AVAILABLE IN U.S. AND CANADA.



Note: All Top-Freezer No-Frost Right-Hand Refrigerator Doors: As you face the front of the refrigerator, the handle is on your left and the hinges are on your right.
All Top-Freezer No-Frost Left-Hand Refrigerator Doors: As you face the front of the refrigerator, the handle is on your right and the hinges are on your left.

Top-Freezer No-Frost Refrigerators

	GE "C" Series		GE "J" Series			GE "I" Series			
	TBX21CIB	TBX18CIB	TBX24JAB	TBX21JAB	TBX18JAB	TBX21IAB	TBX21IIB	TBX18IAD	TBX18IID
Capacity									
Total (cu. ft.)	20.6	18.2	23.6	20.6	18.2	20.6	20.6	18.2	18.2
Fresh food (cu. ft.)	14.25	13.04	16.35	14.25	13.04	14.25	14.25	13.04	13.04
Freezer (cu. ft.)	6.30	5.13	7.2	6.30	5.13	6.30	6.30	5.13	5.13
Shelf area (sq. ft.)	25.2	24.4	29.2	26.0	24.4	26.0	26.0	23.1	23.1
Features									
Automatic icemaker and ice bin	Factory-Installed	Factory-Installed	Opt. (IM3)	Opt. (IM3)	Opt. (IM3)	Opt. (IM3)	Factory-Installed	Opt. (IM3)	Factory-Installed
Ice 'N Easy trays			2	2	2	2		2	
Ice storage bin	Ice Bucket	Ice Bucket		Utility-Opaque	Utility-Opaque	Utility-Opaque	Ice Bucket	Utility-Opaque	Ice Bucket
High ice shelf			●	●	●	●		●	
Cabinet shelves	4 Glass	4 Glass	4 Glass	4 Glass	4 Glass	3 Glass	3 Glass	3 Glass	3 Glass
(adjustable)	4 Split	4 Split	4 Split	4 Split	4 Split	2 Split, 1 F/W	2 Split, 1 F/W	2 Split, 1 F/W	2 Split, 1 F/W
(spill-proof)	4	4	4	4	4				
Snack pan	●	●	●	●	●	●	●	●	●
Vegetable/fruit crisper(s)	2 Adj. Humidity	2 Adj. Humidity	2 Adj. Humidity	2 Adj. Humidity	2 Adj. Humidity	2 High Clear	2 High Clear	2 High Clear	2 High Clear
	3 Enclosed (2 w/gal. storage)	3 Enclosed (2 w/gal. storage)	3 (2 w/gallon storage)	3 (2 w/gallon storage)	2 w/gallon storage	3 (2 w/gallon storage)	3 (2 w/gallon storage)	2 w/gallon storage	2 w/gallon storage
Door shelves									
Slide-out, slide-over pans	●	●	●	●	●	●	●	●	●
Snugger™ Clip(s)	2	2	2	2					
Dairy compartment	●	●	●	●	●	●	●	●	●
Butter dish	●	●	●	●	●	●	●	●	●
Utility (egg) bin			●	●	●			●	●
Freezer compartment shelf(s) (wire Everwhite)	1 F/W (2-Pos.)	1 F/W (2-Pos.)	1 F/W (2 Pos.)*	1 F/W (2-Pos.)*	1 F/W (2-Pos.)	1 F/W (2-Pos.)	1 F/W (2-Pos.)	1 F/W	1 F/W
Freezer door shelves	2	2	2	2	2	2	2	2	2
Cross and brace retainer	●	●	●	●	●	●	●	●	●
Adjustable rollers	●	●	●	●	●	●	●	●	●
Economical/Quiet									
Quiet Package I	●	●							
Energy Saver Switch	●	●	●	●	●	●	●	●	●
Cabinet/door insulation	Foam	Foam	Foam	Foam	Foam	Foam	Foam	Foam	Foam
Cabinet/door liner	ABS	ABS	ABS	ABS	ABS	ABS	ABS	ABS	ABS
Appearance									
Color(s) available**	WW, AA, BB	WW, AA	WW, CC, AA, BB	WW, AA, BB	WW, AA, BB	WW, AA	WW, AA	WW, AA	WW, AA
Deluxe door handle(s)	CM/Premium	CM/Premium	CM	CM	CM	CM	CM	CM	CM
Customer installed handles	●	●	●	●	●	●	●	●	●
Textured steel doors & case	●	●	●	●	●	●	●	●	●
Reversible doors***	●	●	●	●	●	●	●	●	●
Weights & Dimensions									
Height to top of hinge (in.) A	66-7/8	64-3/4	66-7/8	66-7/8	64-3/4	66-3/4	66-3/4	64-3/4	64-3/4
Height to top of case (in.) B	66-1/4	64	66-1/4	66-1/4	64	66-1/4	66-1/4	64	64
Case depth without door (in.) C	27-5/8	27-3/4	27-5/8	27-5/8	27-3/4	27-5/8	27-5/8	27-3/4	27-3/4
Case depth less door handle (in.) D	30	30	30	30	30	30	30	30	30
Case depth with door handle (in.) E	31-3/4	31-3/4	31-1/2	31-3/4	31-3/4	31-3/4	31-3/4	31-3/4	31-3/4
Depth with door open 90° (in.) F	60	58-1/8	60	60	58-1/8	60	60	58-1/8	58-1/8
Width (in.) G	31-1/4	29-3/8	31-1/8	31-1/4	29-3/8	31-1/4	31-1/4	29-3/8	29-3/8
Width with door open 90° less door handle (in.) H	31-1/4	29-3/8	31-1/4	31-1/4	29-3/8	31-1/4	31-1/4	29-3/8	29-3/8
Air clearances									
Each side (in.)	3/4	3/4	3/4	3/4	3/4	3/4	3/4	3/4	3/4
Top (in.)	1	1	1	1	1	1	1	1	1
Back (in.)	1	1	1	1	1	1	1	1	1
Approx. shipping weight (lbs.)	231	213	266	231	213	231	231	220	211
Accessories									
Black acrylic panels	N/A	N/A	N/A	TBP21XB	TBP18XB	N/A	N/A	N/A	N/A
Magnetic black acrylic panel kit	N/A	N/A	N/A	TBP21XB	TBP18XB	TBP21XB	TBP21XB	TBP18XB	TBP18XB

* Shelf needs to stay in lower position to support ice bucket and icemaker.

** Color(s) available: WW = White on white, CC = Bisque, AA = Almond on almond, BB = Black on black, CM = Color-Matched.

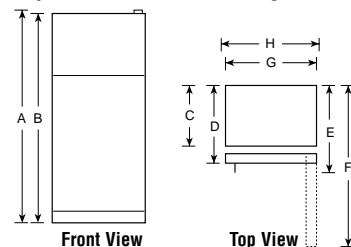
*** Order as right-hand door opening with option to change to left-hand door opening.

Note: Clearance dimensions for any 19 cu. ft., 22 cu. ft., and 25 cu. ft. refrigerators with extra-deep doors, need an additional 3-5/8" for 90° door opening.



Note: All Top-Freezer No-Frost Right-Hand Refrigerator Doors: As you face the front of the refrigerator, the handle is on your left and the hinges are on your right.
All Top-Freezer No-Frost Left-Hand Refrigerator Doors: As you face the front of the refrigerator, the handle is on your right and the hinges are on your left.

Top-Freezer No-Frost Refrigerator

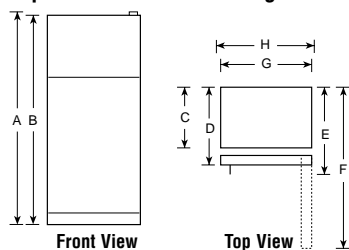


Top-Freezer No-Frost Refrigerators

	GE "R" Series	GE "S" Series							
	TBX16RIC	TBX18SAB TBX18SIB	TBX16SAB TBX16SIB	TBX16SYB	TBX16SSB	TBX14SAB TBX14SIB	TBX14SYB	TBX12SAX	TBX10SNB
Capacity									
Total (cu. ft.)	15.6	18.2	16.4	16.4	15.6	14.4	14.4	12.1	9.8
Fresh food (cu. ft.)	11.69	13.04	12.58	12.58	11.69	10.58	10.58	9.1	7.5
Freezer (cu. ft.)	3.86	5.13	3.86	3.86	3.86	3.86	3.86	3.0	2.33
Shelf area (sq. ft.)	16.4	23.1	17.5 16.7	17.5	17.2	17.2 16.4	17.2	13.6	12.1
Features									
Automatic icemaker and ice bin	Factory-Installed	Opt. (IM3) Factory-Installed	Opt. (IM3) Factory-Installed	Opt. (IM3)	Opt. (IM3)	Opt. (IM3) Factory-Installed	Opt. (IM3)	Opt. (IM3)	
Ice 'N Easy trays		2	2	2	2	2	2	2	2
Ice storage bin	●	Utility-WH Bucket-WH	●			● Bucket			
High ice shelf			●	●	●	●	●		
Cabinet shelves	2 Wire Everwhite	3 Wire Everwhite	2 Wire Everwhite	2 Wire Everwhite	2 Wire Everwhite	2 Wire Everwhite	2 Wire Everwhite	2 Wire Everwhite	2 Wire Everwhite
(adjustable)	2 F/W	2 Split, 1 F/W	2 F/W	2 F/W	2 F/W	2 F/W	2 F/W	2 F/W	2 F/W
Snack pan		●							
Vegetable/fruit crisper(s)	2	2	2	2	2	2	2	Divided	1 F/W
Fixed door shelves	2-tall bottle storage	2 w/gal. storage	2-tall bottle storage	2-tall bottle storage	2-tall bottle storage	2-tall bottle storage	2-tall bottle storage	2-tall bottle storage	4
Dairy compartment	●	●	●	●	●	●	●	●	
Utility bin									
Freezer compartment shelf(s) (wire Everwhite)		1 F/W (2-Pos.)							1 F/W
Freezer door shelves	2	2	2	2	2	2	2	2	1
Cross-brace retainer	●	●	●	●	●	●	●	●	●
Coil-free back	●	●	●	●	●	●	●	●	●
Adjustable rollers	4 Fixed, 2 Level legs	●	4 Fixed, 2 Level legs	4 Fixed, 2 Level legs	4 Fixed, 2 Level legs	4 Fixed, 2 Level legs	4 Fixed, 2 Level legs	Level legs	Level legs
Economical/Quiet									
Cabinet/door insulation	Foam	Foam	Foam	Foam	Foam	Foam	Foam	Foam	Foam
Cabinet liner	ABS	ABS	ABS	ABS	ABS	ABS	ABS	ABS	Plastic
Door liner	ABS	ABS	ABS	ABS	ABS	ABS	ABS	ABS	ABS
Appearance									
Color(s) available*	WW, AA	WW, AA	WW, AA	WW, AA	WW, AA	WW, AA	WW, AA	WH, AD	WH
Deluxe door handle(s)	Color-Matched	Color-Matched	Color-Matched	Color-Matched Recessed	Color-Matched	Color-Matched	Color-Matched Recessed	Black	White Recessed
Customer installed handles		●							
Textured steel doors & case	●	●	●	●	●	●	●	●	●
Rounded doors									●
Reversible doors**	●	●	●	●	●	●	●	●	●
Right or left door opening available	●	●	●	●	●	●	●	●	●
Weights & Dimensions									
Height to top of hinge (in.) A	64-3/4	64-3/4	67-3/8	67-3/8	64-3/4	61-3/4	61-3/4	60-5/8	59-1/8
Height to top of case (in.) B	64-1/4	64	66-7/8	66-7/8	64-1/4	61-1/4	61-1/4	60-1/4	58-5/8
Case depth without door (in.) C	25-3/8	27-3/4	26-1/4	26-1/4	25-3/8	25-3/8	25-3/8	27-7/16	25
Case depth less door handle (in.) D	27-7/8	30	28-3/4	28-3/4	27-7/8	27-7/8	27-7/8	29-11/16	26-3/8
Case depth with door handle (in.) E	29-3/4	31-3/4	30-5/8	28-3/4	29-3/4	29-3/4	29-3/4	31-7/16	28
Depth with door open 90° (in.) F	54-3/8	58-1/8	55-1/4	55-1/4	54-3/8	54-3/8	54-3/8	51-9/16	48-3/4
Width (in.) G	28	29-3/8	28	28	28	28	28	23-3/8	23-5/8
Width with door open 90° less door handle (in.) H	28-1/4	29-3/8	28-1/4	28-1/4	28-1/4	28-1/4	28-1/4	23-9/16	24-1/8
Air clearances									
Each side (in.)	3/4	3/4	3/4	3/4	3/4	3/4	3/4	3/4	3/4
Top (in.)	1	1	1	1	1	1	1	2	1
Back (in.)	1	1	1	1	1	1	1	3/4	1
Approx. ship. wt. (lbs.)	170	230	190 195	188	170	174	168	152	157
Accessories									
Black Acrylic panel kit	N/A	TBP18XB	N/A	N/A	N/A	N/A	N/A	N/A	N/A

*Color(s) available: WW = White on white, AA = Almond on almond, WH = White, AD = Almond.
**Order as right-hand door opening with option to change to left-hand door opening.

Top-Freezer No-Frost Refrigerator

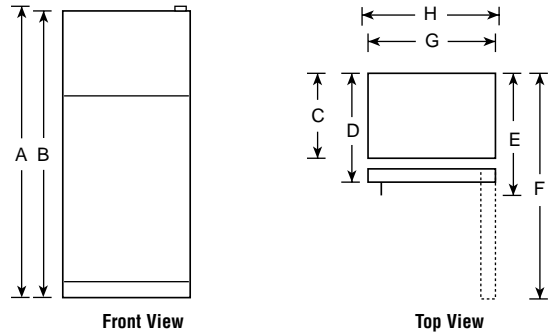


Cycle and Manual Defrost Refrigerators

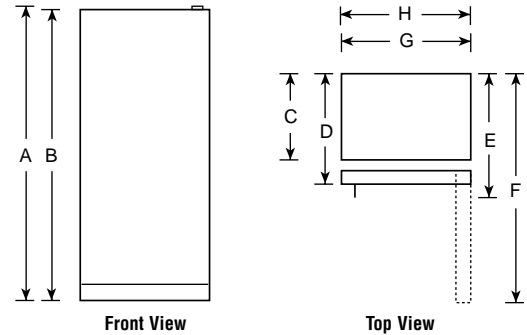
	GE		
	Cycle Defrost		Manual Defrost
	TDX11SNY	TDX9SNY	TAX10SNX
Capacity			
Total (cu. ft.)	11.0	9.0	9.6
Fresh food (cu. ft.)	8.6	6.6	8.64
Freezer (cu. ft.)	2.4	2.4	.94*
Shelf area (sq. ft.)	15.5	15.2	9.88
Features			
Ice 'N Easy trays	2 Mini	2 Mini	2
Freezer chiller tray with baffle			●
Cabinet shelves Wire Everwhite	3 Adj.	2 Adj.	2 Adj.
Vegetable/fruit crisper	1 F/W	1 F/W	1 F/W
Door shelves	2 Modules, 2 Stationary Shelves	4 Modules, 1 Stationary Shelf	3 F/W
Tall bottle storage on door	●	●	●
Dairy compartment(s)	2	2	1
Egg storage bin			Pockets
Freezer compartment shelf(s)	1 F/W	1 F/W	
Economical/Quiet			
Cabinet/door insulation	Foam	Foam	Foam
Cabinet/door liner	Plastic	Plastic	Plastic
Appearance			
Color(s) available	White	White	White
Door handle(s)	White	White	Black
Reversible doors	●	●	
Right or left door opening			●
Weights & Dimensions			
Height to top of hinge (in.) A	63-1/2	55	58
Height to top of case (in.) B	63	54-1/2	57-9/16
Case depth without door (in.) C	20-1/2	20-1/2	21-3/8
Case depth with door less handle (in.) D	23-1/4	23-1/4	23-1/2
Case depth with door handle (in.) E	24-1/2	24-3/4	24-13/16
Depth with door open 90° less door handle (in.) F	46	46	44-13/16
Width (in.) G	23-1/4	23-1/2	23
Width w/door open 90° less door handle (in.) H	23-3/4	23-3/4	23-1/2
Air clearances			
Each side (in.)	1/2	1/2	5/8
Top (in.)	2	2	2
Back (in.)	2	2	1
Approx. shipping weight (lbs.)	139	126	135

*Compartment for short-term storage of frozen food. The frozen food compartment of this refrigerator will make ice, and pre-frozen foods can be stored for about **two weeks**. It will not effectively freeze fresh foods or provide long-term storage for meats, poultry, or fish.

Cycle Defrost Two Door Refrigerator



Manual Defrost Single Door Refrigerator

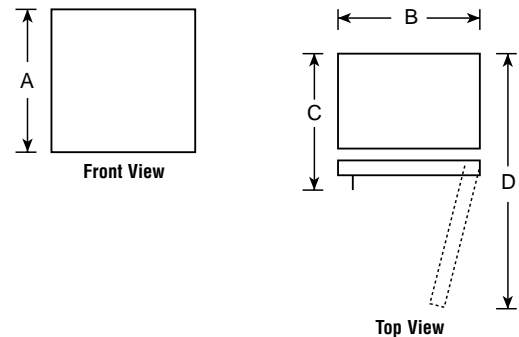


Spacemaker™ Compact Refrigerators

	GE		
	TAX6SNXWH/WN	TAX4SNCWH	TAX2SNCWH/BL
	Capacity		
Total (cu. ft.)	6.0	4.3	1.7
Fresh food (cu. ft.)	5.51	3.26	1.51
Freezer (cu. ft.)	.49*	.42*	.21*
Shelf area (sq. ft.)	8.8	6.0	2.9
Features			
Ice 'N Easy trays	2 Mini	2	2 Mini
Manual defrost	●	●	●
Cabinet shelves	2 (Adj.)	3 F/W wire	1 Plastic
Door shelves	3 F/W	2 F/W, 1 H/W	1-1/2
Utility bin			Tray
Economical/Quiet			
Cabinet/door insulation	Foam	Foam	Foam
Cabinet/door liner	Polystyrene	Polystyrene	Polystyrene
Appearance			
Color(s) available	White, Woodgrain	White	White, Black
Door handles	White Visor Black Visor	Color-Matched Recessed	Color-Matched Recessed
Rounded doors		●	●
Reversible door(s)	●	●	
Weights & Dimensions			
Height (in.) A	34-1/4	32-7/8	19-29/32
Width (in.) B	23-5/8	20-1/16	18-7/8
Depth with handle (in.) C	25-7/8	21-7/8	19-7/32
Depth with door open 90° (in.) D	47-1/2	39-1/4	37
Air clearances			
Each side (in.)	0†	1/2	1/2
Top (in.)	1-1/2	2	2
Back (in.)	3/4	2	2
Approx. shipping weight (lbs.)	88	77	51
Accessories			
Custom trim and black panel	TK6 Optional		

*Compartment for short-term storage of frozen food. The frozen food compartment of this refrigerator will make ice, and pre-frozen foods can be stored for about **two weeks**. It will not effectively freeze fresh foods or provide long-term storage for meats, poultry, or fish. † If installed against a wall, allow 1-1/4" on hinge side to allow for proper door opening.

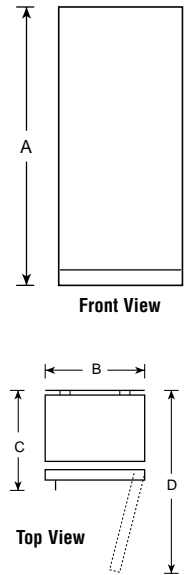
Spacemaker™ Refrigerator



Today's GE refrigerators use about 50% as much energy as refrigerator models made in 1980.

Upright Freezers

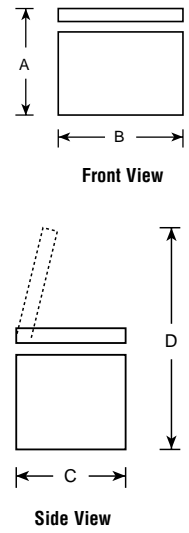
	GE											
	Frost-Free			Manual Defrost								
	FUF20DA	FUF17DA	FUF14DA	FUM21DA	FUM21SA	FUM17DA	FUM17SA	FUM14DA	FUM14SA	FUM12SA	FUM9SA	FUM5SA
Capacity												
Total volume (cu. ft.)	20.3	16.7	13.7	20.6	20.6	17.1	17.1	14.1	14.1	11.6	8.7	5.0
Shelf area (sq. ft.)	23.9	18.4	14.3	25.3	21.9	19.1	16.2	17.9	15.0	13.0	10.1	6.0
Features												
Audible temperature alarm	●	●	●	●	●	●	●	●	●	●	●	●
Temperature control	Adjustable	Adjustable	Adjustable	Adjustable	Adjustable	Adjustable	Adjustable	Adjustable	Adjustable	Adjustable	Adjustable	Adjustable
Limited food loss warranty	●	●	●	●	●	●	●	●	●	●	●	●
Door shelves (total)	6	5	5	6	6	5	5	5	5	4	5	3
Defrost water drain				●	●	●	●	●	●	●		
Power "ON" light	●	●	●	●	●	●	●	●	●			
Interior light	●	●	●	●	●	●	●	●	●			
Lock	●	●	●	●	●	●	●	●	●			
Cabinet shelves (total)	5 (3 Adj.)	4 (3 Adj.)	3 (2 Adj.)	4 (1 Adj.)	4	4 (1 Adj.)	3	3 (1 Adj.)	3	3	4	2
Refrigerated shelves				3	4	3	3	2	3	3	4	2
Bulk storage basket	Slide-Out	Slide-Out	Slide-Out	Slide-Out		Slide-Out		Slide-Out				
Drop-front storage				●			●		●	●		
Economical/Quiet												
Defrost	Frost-Free	Frost-Free	Frost-Free	Manual	Manual	Manual	Manual	Manual	Manual	Manual	Manual	Manual
Magnetic door gasket	●	●	●	●	●	●	●	●	●	●	●	●
Cabinet liner	Baked enamel-on-steel	Baked enamel-on-steel	Baked enamel-on-steel	Baked enamel-on-steel	Baked enamel-on-steel	Baked enamel-on-steel	Baked enamel-on-steel	Baked enamel-on-steel	Baked enamel-on-steel	Baked enamel-on-steel	Polystyrene	Polystyrene
Wrap-around condenser	●	●	●	●	●	●	●	●	●	●	●	●
Appearance												
Color available	White	White	White	White	White	White	White	White	White	White	White	White
Door handle	●	●	●	●	Recessed	●	Recessed	●	Recessed	Recessed	●	Recessed
Textured steel case and door	●	●	●	●	●	●	●	●	●	●	●	●
Rounded door												●
Weights & Dimensions												
Height (in.) A	70	64-1/2	59	70	70	64-1/2	64-1/2	59	59	54-1/2	53-3/8	33-1/2
Width (in.) B	32	32	28	32	32	32	32	28	28	28	21-1/2	21-3/8
Depth (in.) C	28-1/2	26-1/2	28-1/2	28-1/2	28-1/2	26-1/2	26-1/2	28-1/2	28-1/2	26-1/2	26-3/8	26-1/8
Depth with door open 90° (in.) D	59-1/8	57-1/8	55-1/8	59-1/8	59-1/8	57-1/8	57-1/8	55-1/8	55-1/8	53-1/8	49-1/8	45-3/4
Air clearances Each side (in.)	3	3	3	3	3	3	3	3	3	3	1	1
Top (in.)	3	3	3	3	3	3	3	3	3	3	4	4
Back (in.)	3	3	3	3	3	3	3	3	3	3	4	4
Approx. shipping weight (lbs.)	231	213	173	231	231	211	211	173	173	168	120	80



NOTE: For proper installation of Upright Freezers (except FUM9SA and FUM5SA), allow clearance of 3" on each side; 3" or 4" on top; and 3" on back.

Chest Freezers

	GE								
	FCM25DA	FCM20DA	FCM15DA	FCM15SA	FCM9DA	FCM9SA	FCM7DA	FCM5SA	
Capacity									
Total volume (cu. ft.)	24.9	19.7	14.8	14.8	8.8	8.8	7.2	5.0	
Features									
Manual defrost	●	●	●	●	●	●	●	●	●
Audible temperature alarm	●	●	●	●	●	●	●	●	●
Temperature control	Adjustable	Adjustable	Adjustable	Adjustable	Adjustable	Adjustable	Adjustable	Adjustable	Adjustable
Wrap-around condenser	●	●	●	●	●	●	●	●	●
Wrap-around evaporator	●	●	●	●	●	●	●	●	●
Limited food loss warranty	●	●	●	●	●	●	●	●	●
Defrost water drain	●	●	●	●	●	●	●	●	●
Power "ON" light	●	●	●	●	●	●	●	●	●
Interior light	●	●	●	●	●	●	●	●	●
Lock	●	●	●	●	●	●	●	●	●
Lift-out and sliding bulk storage basket(s)	3	2	2	1	1		1		
Economical/Quiet									
Insulation (cabinet and lid)–Foam	●	●	●	●	●	●	●	●	●
Cabinet liner	Steel Epoxy-Coated	Steel Epoxy-Coated	Steel Epoxy-Coated	Steel Epoxy-Coated	Steel Epoxy-Coated	Steel Epoxy-Coated	Steel Epoxy-Coated	Steel Epoxy-Coated	Steel Epoxy-Coated
Appearance									
Color available	White	White	White	White	White	White	White	White	White
Handle	●	●	●	Recessed	●	Recessed	●	Recessed	●
Textured steel case and lid	●	●	●	●	●	●	●	●	●
Weights & Dimensions									
Height (in.) A	35	35	35	35	34-1/4	34-1/4	34-1/4	34-1/4	34-1/4
Width (in.) B	73-1/4	61-1/4	48	48	41	41	35	27	
Depth (in.) C	29-1/2	29-1/2	29-1/2	29-1/2	23-1/4	23-1/4	23-1/4	23-1/2	
Height with lid open (in.) D	60-3/4	59-1/2	60-3/4	60-3/4	55-1/4	55-1/4	55-1/4	55-1/4	
Air clearances Each side (in.)	3	3	3	3	3	3	3	3	
Back (in.)	3	3	3	3	3	3	3	3	
Approx. shipping weight (lbs.)	229	201	160	160	137	137	120	105	



NOTE: For proper installation of Chest Freezers, allow clearance of 3" on each side and 3" on back.

See page 150 for warranty information.

Refrigeration

Cooking Products

Microwave Ovens

Dishwashers

Clothes Care

Water Systems

Air Conditioning

Create a Custom Look for Your GE Refrigerator

Decide from a choice of GE optional Panels and Trim to create a distinctive appearance for your new refrigerator. Pre-cut panels in Black, White, Almond or Stainless Steel provide an exciting way to express your individual taste and preference while complementing your kitchen.

GE Profile Performance Series™ and GE Profile™ CustomStyle™ Refrigerators

Acrylic and Stainless Steel Panels

Model No.	Black Acrylic Panels	White Acrylic Panels	Bisque Acrylic Panels	Almond Acrylic Panels	Stainless Steel Panels
TPX21BRD	TKP21LS	TKPW21LS			TKP21RXSS
TPX24BRD	TKP24RBBB	TKP24RBWW		TKP24RBAA	TKP24RBSS
TPX24BPD	TKP24RBBB	TKP24RBWW	TKP24RBCC		TKP24RBSS
TPX24BID	TKP24IBBB	TKP24IBWW			TKP24IBSS

Note: For custom panel cut-out dimensions refer to Installation Instructions, Pub. No. 49-6477-1.

Collar Trim

Model No.	Black Collar Trim	White Collar Trim	Bisque Collar Trim	Almond Collar Trim	Stainless Steel Collar Trim
TPX21BRD	TRMBISBB	TRMBISWW			
TPX24BRD	TRMBISBB	TRMBISWW		TRMBISAA	
TPX24BPD	TRMBISBB	TRMBISWW	TRMBISCC		
TPX24BID	TRMBISBB	TRMBISWW			
TPX24BPD					TRMBISSS
TPX24BID					TRMBISSS

Note: Refer to Installation Instructions, Pub. No. 31-45227-1, for kitchen cabinet dimensions before ordering cabinets or collar trim.

GE Profile™ Performance CustomStyle™ Top-Freezer No-Frost Refrigerators

Acrylic Panels and Trim

Model No.	Black Acrylic Panels	White Acrylic Panels	Stainless Steel Panels	Black Collar Trim	White Collar Trim	Stainless Steel Trim
TNX22BAC	TKP22ACBB	TKP22ACWW	TKP22ACSS	TRMBISBB	TRMBISWW	TRMBISSS
TNX22BRC	TKP22RCBB	TKP22RCWW	TKP22RCSS	TRMBISBB	TRMBISWW	TRMBISSS

GE Profile™ Top-Freezer No-Frost Refrigerators (Non-dispenser model)

Acrylic Panels and Aluminum Trim

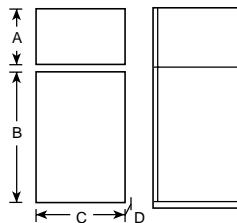
Model No.	Black Panels	Aluminum Trim Kit	Custom Panel Dimensions (Inches)			Panel Depth
			A	B	C	
TBX25PAB	TMP25K	TMK25LL*	21-27/32	40-3/32	33-21/32	1/4
TBX25PAB	TMP25K	TMK25K**	21-27/32	40-3/32	33-21/32	1/4

Note: Black handles included with Aluminum trim kit.

*For use on left-hand door opening.

**For use on right-hand door opening.

GE Profile™ Model:
TBX25PAB

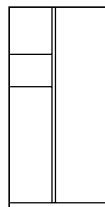


Quality GE Side-By-Side Refrigerators

Acrylic Panels with Trim

Model No.	Black Acrylic Panels	Aluminum Trim
TFX20JRB	TFP20RB	
TFX22CRD	TFP22RB	
TFX26CRD	TKP26RB	TK26RBAL
TFX26CPD	TFP26RB	
TFX22ZPD	TFP22RB	
TFX26ZPD	TFP26RB	

Note: Handles not included with trim kit.



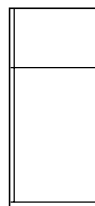
GE Models:
TFX20JRB, TFX22CRD,
TFX26CPD, TFX26CRD,
TFX22ZPD, TFX26ZPD

Quality GE Top-Freezer No-Frost Refrigerators

Acrylic Panels with Trim

Model No.	Black Panels
TBX21JAB/IAB/CIB	TBP21XB
TBX18SAB/SIB/JAB/CIB/IAD/IID	TBP18XB

Note: Black handle inserts included with trim kit.



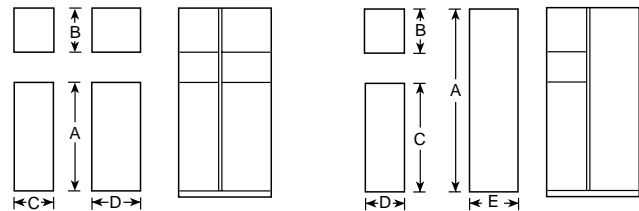
GE Models:
TBX21JAB/IAB/CIB
TBX18SAB/SIB/JAB/
CIB/IAD/IID

GE Profile Performance Series™ and GE Profile™ Free-Standing Side-By-Side Refrigerators

Acrylic Panels and Aluminum Trim

Model No.	Black Panels	Stainless Steel Panels	Aluminum Trim	Custom Panel Insert Cut-Out Dimensions (Inches)				
				A	B	C	D	E
TFX30PBD		TKP30FBSS	TK30FBAL	33-21/32	16-29/32	13-5/32	17-31/32	
TFX30PPD		TKP30RBSS	TK30RBAL	65-1/8	16-29/32	33-21/32	13-5/32	17-31/32
TFX28PBD	TKP28FB		TK28FBAL	33-21/32	16-29/32	13-5/32	17-31/32	
TFX26PRD	TKP26RB		TK26RBAL	63-1/4	16-7/8	31-25/32	12-15/32	18-5/32
TFX26PPD	TKP26RB		TK26RBAL	63-1/4	16-7/8	31-25/32	12-15/32	18-5/32

Note: Handles not included with trim kit.



GE Profile Performance™ and GE Profile™ Models: TFX30PBD, TFX28PBD

GE Profile Performance™ and GE Profile™ Models: TFX30PPD, TFX26PRD, TFX26PPD

Acrylic Panels with Trim

Model No.	Black Acrylic Panels
TFX26PPD	TFP26RB
TFX26PRD	TFP26RB
TFX22PPD	TFP22RB
TFX22PRD	TFP22RB

Note: Handles not included with trim kit.

Quality GE Compact Refrigerator

TK6 Trim

- Panel is black painted aluminum
- Trim is black plastic that covers entire side of door
- 1/4" wood can also be used with the trim

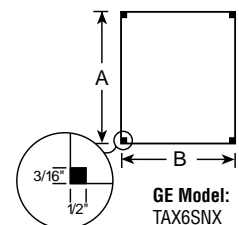
Order your own custom door panel to match cabinetry or other decor.

- Maximum panel thickness 1/4"
- Minimum panel thickness 1/8"

Notch all four corners of panel

Custom Trim

Model No.	Black Trim No.	Custom Panel Insert Cut-Out Dimensions (Inches)	
		A	B
TAX6SNX	TK6	29	22-3/4



GE Model:
TAX6SNX

Advantium™ Wall Ovens

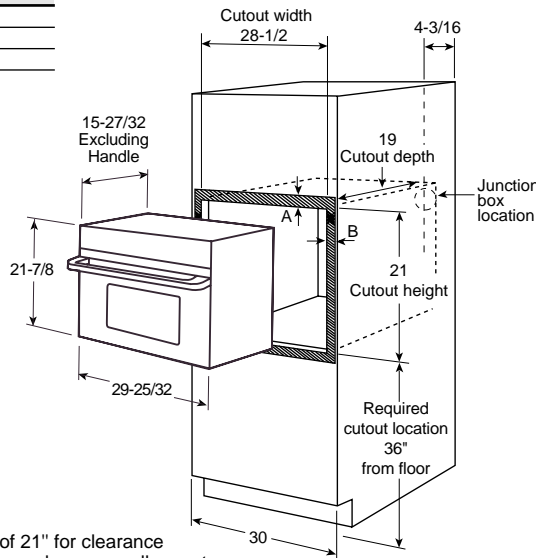
	GE Profile Performance Series™
	SCB2001CSS SCB2000CWW SCB2000CCC SCB2000CAA SCB2000CBB
Features	
Stainless Steel Oven Interior	●
Family Size Oven	●
Oven Controls:	
Electronic Scrolling Display	●
Over 100 Preprogrammed Menu Items	●
Repeat Last	●
Help Mode	●
Demo Mode	●
Interior Oven Light	●
Beeper Sound Level Control	●
Variable Scroll Speed	●
Cooking Complete Reminder	●
Child Lock-Out	●
Frameless Glass Oven Door with Window	●
Microwave Oven Features:	
Sensor	●
Defrost - Auto/Time	●
Microwave Power Output Watts	950
Appearance	
Color appearance	Stainless Steel White on white Bisque Almond on almond Black on black
Weights & Dimensions	
Approx. Shipping Weight (lbs.)	101
Overall Oven Interior Dimensions (in inches)	
Height	8-13/32
Width	18-29/32
Depth	13-19/32
Overall Dimensions (in inches)	
Exterior Height	21-7/8
Exterior Width	29-25/32
Exterior Depth (not including handle)	15-27/32
Oven Cabinet Width Required (in inches)	30
Cutout Height	21
Cutout Width	28-1/2
Cutout Depth	19
Power/Ratings	
Amps @240V/208V	30
Accessories	
Cookbook	●
Cooking Guide	●
Black Metal Grill Tray	●
Black Metal Tray	●
White Ceramic Tray	●
Warranty	
Full One-Year In-Home Warranty*	●
Full Ten-Year Lamp Warranty*	●
Limited Ten-Year Magnetron Warranty*	●

Note: Cabinets installed adjacent to wall ovens must have an adhesion spec of at least 194° F temperature rating.

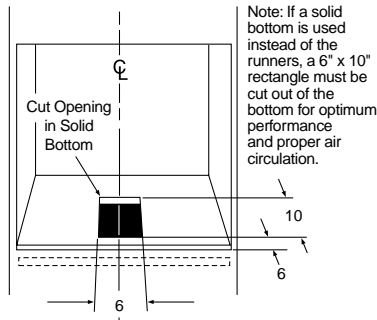
Note: These ovens are *not* approved for stackable installations.

Note: 2" minimum between cutouts when installed above warming drawer or single wall oven.

Allow minimum of 21" for clearance to adjacent corners, drawers, walls, or etc.
 A=Allow 1" overlap of oven over top and bottom edges of cutout.
 B=Allow 11/16"-3/4" for overlap of oven over side edges of cutout.



Recommended for solid bottom installation



(Must support 200 LBS.)

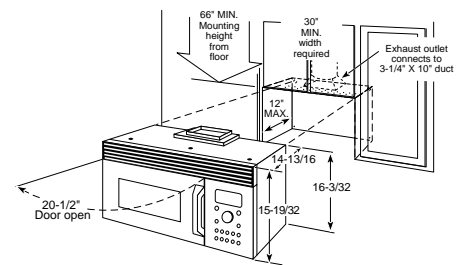
Most 30" Wall Cabinets can be used with this unit.

Advantium Wall Oven Dimensions and Cabinet Installation (in inches)

Advantium™ Above-The-Cooktop Ovens

	GE Profile Performance Series™
	SCA2001BSS SCA2000BWW SCA2000BCC SCA2000BAA SCA2000BBB
Features	
Stainless Steel Oven Interior	●
Family Size Oven	●
Oven Controls:	
Electronic Scrolling Display	●
Over 100 Preprogrammed Menu Items	●
Repeat Last	●
Help Mode	●
Demo Mode	●
Interior Oven Light	●
Beeper Sound Level Control	●
Variable Scroll Speed	●
Cooking Complete Reminder	●
Child Lock-Out	●
Two-Speed High-Capacity Exhaust Fan	●
Full-View Cooktop Lighting	●
Programmable Night Light	●
Frameless Glass Oven Door with Window	●
Microwave Oven Features:	
Sensor	●
Defrost - Auto/Time	●
Microwave Power Output Watts	950
Appearance	
Color appearance	Stainless Steel White on white Bisque Almond on almond Black on black
Weights & Dimensions	
Approx. Shipping Weight (lbs.)	101
Overall Oven Interior Dimensions (in inches)	
Height	8-13/32
Width	18-29/32
Depth	13-19/32
Overall Dimensions (in inches)	
Exterior Height (front)	15-19/32
Exterior Height (rear)	16-3/32
Exterior Width	29-7/8
Exterior Depth (not including handle)	14-13/16
Power/Ratings	
Amps @240V/208V	30
Accessories	
Cookbook	●
Cooking Guide	●
Black Metal Grill Tray	●
Black Metal Tray	●
White Ceramic Tray	●
Recirculating Charcoal Filter Kit (Optional)	JX81A
Warranty	
Full One-Year In-Home Warranty*	●
Full Ten-Year Lamp Warranty*	●
Limited Ten-Year Magnetron Warranty*	●

Advantium Above-The-Cooktop Oven Dimensions (in inches)



IMPORTANT: PLEASE READ CAREFULLY. FOR PERSONAL SAFETY, THIS APPLIANCE **MUST** BE PROPERLY GROUNDED TO AVOID SEVERE OR FATAL SHOCK.

Ensure proper ground wires before use.

DO NOT UNDER ANY CIRCUMSTANCES, CUT, DEFORM, OR REMOVE ANY OF THE PRONGS FROM THE POWER CORD. DO NOT USE WITH AN EXTENSION CORD.

NEMA 14-30R Wall Receptacle

See page 150 for warranty information.

30" Built-In Double Ovens

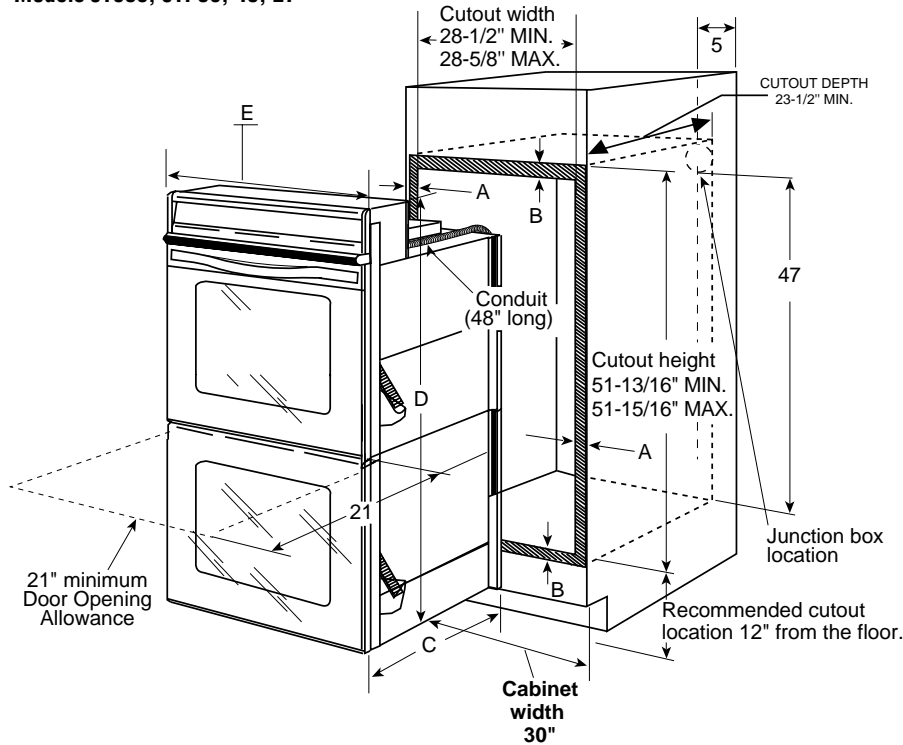
	GE Profile Performance Series™	GE Profile™	GE		GE Profile™	GE
	Convection Double Ovens		Double Ovens		Microwave Double Ovens	
	JT950SA JT950WA JT950CA JT950AA JT950BA	JTP56WA JTP56AA JTP56BA	JTP45WA JTP45BA	JTP27WA JTP27BA	JTP95WA JTP95BA	JTP85WA JTP85BA
Features						
Upper	Convection/ Self-Clean	Convection/ Self-Clean	Self-Clean	Self-Clean	Microwave	Microwave
Oven interior Lower	Thermal/ Self-Clean	Thermal/ Self-Clean	Self-Clean	Standard	Convection/ Self-Clean	Self-Clean
Cleaning time	Variable	Variable	Variable	Variable (upper)	Variable (lower)	Variable (lower)
Automatic self-clean oven door lock	●	●	●	Upper	Lower	Lower
Self-clean oven w/Delay Clean option	●	●	●	Upper	Lower	Lower
TrueTemp™ System	●	●	●	Upper	Lower	Lower
CleanDesign oven interior	Upper	Upper			Lower	
Variable broil/Six-pass broil element	●	●	●	●	Lower	Lower
SmartSet Controls	●	●	●	Upper	●	●
Proofing	●					
Convection conversion	Upper	Upper			Lower	
Convection Bake	Upper	Upper			Lower	
Convection Roast	Upper	Upper			Lower	
Automatic meat thermometer	Upper	Upper			Lower	
Temperature display	●	●	●	Upper	●	●
Start pad	●	●	●	Upper	●	●
Delay Bake option w/Cook & Hold	●	●	●	Upper	Lower	Lower
C° or F° programmable	●	●	●	Upper	Lower	Lower
Audible preheat signal	●	●	●	Upper	Lower	Lower
Auto oven shut-off w/override	●	●	●	Upper	Lower	Lower
Electronic clock and kitchen timer	●	●	●	●	●	●
Control lock capability	●	●	●	Upper	Lower	Lower
Oven light pad	●	●	●	●	Lower	Lower
Microwave Oven Features:						
Microwave cooking timer					99-Min./99-Sec.	99-Min./99-Sec.
Microwave power levels					10	10
Sensor functions					6	3
Electronic MWO touch controls					●	●
Microwave oven cavity (cu. ft.)					1.6	1.6
MWO power output watts					1000	1000
Turntable					●	●
Embossed rack positions	7 Upper/6 Lower	7 Upper/6 Lower	6 Upper/Lower	6 Upper/Lower	7 Lower	6 Lower
Roasting rack	Upper	Upper			Lower	
Upper	3	3	2	2		
Lower	2	2	2	2	3	2
Gourmet Shelf	●	●	●			
Broiler pan with grid	●	●	●	●	Lower	Lower
Appearance						
Color appearance**	SS WW CC AA BB	WW AA BB	WW BB	WW BB	WW BB	WW BB
Frameless glass oven doors	Stainless White Bisque Almond Black	White Almond Black	White Black	White Black	White Black	White Black
Big View windows	●	●	●	●	Lower	Lower
Lift-off oven doors	●	●	●	●	Lower	Lower
Designer-style handles	Integrated	Integrated	Sure Grip	Sure Grip	Integrated	Sure Grip
Flush appearance installation	●	●	●	●	●	●
Weights & Dimensions						
Approx. shipping wt. (lbs.)	260	260	260	260	177	177
Oven cabinet width required (in.)	30	30	30	30	30	30
Overall dimensions (WxHxD in inches)	← 30 x 52-15/16 x 23-1/2 →				← 29-3/4 x 43-1/2 x 23-1/2 →	
Overall oven interior dimensions (WxHxD in inches)	← 24 x 17-3/8 x 15-3/4 →		← 24 x 17-3/8 x 17-19/32 →		← 17-1/4 x 11-1/2 x 16-1/4 →	
Upper						
Lower	← 24 x 17-3/8 x 17-19/32 →				← 24 x 17-3/8 x 15-3/4 →	
Power/Ratings						
kW rating @ 240V	7.2	7.2	7.2	8.0	6.4	6.4
208V	5.4	5.4	5.4	6.0	4.8	4.8
Amps @ 240V	40	40	40	40	30	30
208V	30	30	30	35	30	30
Convection wattage	2500	2500			2500	
Broiler/bake wattage	3600/3400	3600/3400	3600/3400	3600/3400	3600/3400	3600/3400

*Additional racks available.

**SS = Stainless Steel, WW = White on white, CC = Bisque, AA = Almond on almond, BB = Black on black.

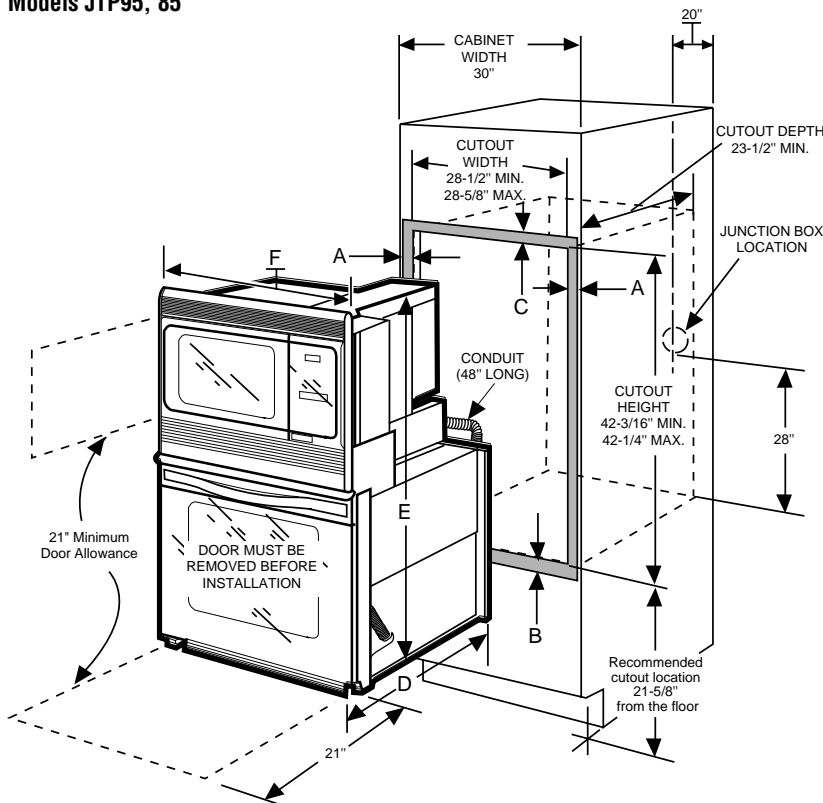
30" Built-In Double Ovens (continued)

30" Built-In Double Oven Dimensions (in inches) Models JT950, JTP56, 45, 27



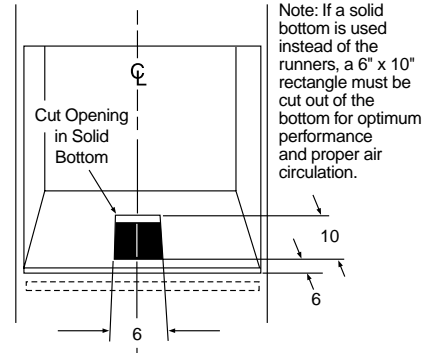
MOST 30" WALL CABINETS CAN BE USED WITH THIS UNIT
THE OPENING BETWEEN THE INSIDE WALLS MUST BE AT LEAST 28-1/2" WIDE

30" Built-In Microwave Double Oven Dimensions (in inches) Models JTP95, 85



MOST 30" WALL CABINETS CAN BE USED WITH THIS UNIT
THE OPENING BETWEEN THE INSIDE WALLS MUST BE AT LEAST 28-1/2" WIDE

Recommended for solid bottom installation



(Must support 275 LBS.)

Cabinet	30"
A - Overlap of Oven Over Side Edges of Cutout	11/16" - 3/4"
B - Overlap of Oven at Top and Bottom of Cutout	1"
Oven	
C - Overall Depth	23-1/2"
D - Overall Height	52-15/16"
E - Overall Width	30"

Note: Cabinets installed adjacent to wall ovens must have an adhesion spec of at least 194° F temperature rating.

Refrigeration

Cooking Products

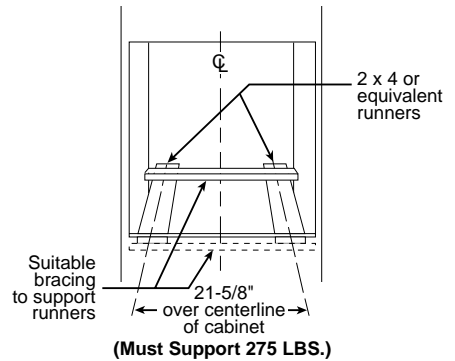
Microwave Ovens

Dishwashers

Clothes Care

Water Systems

Air Conditioning



Cabinet	30"
A - Overlap of Oven Over Side Edges of Cutout	11/16"
B - Overlap of Oven at Bottom of Cutout	1"
C - Overlap of Oven at Top of Cutout	1/2"
Oven	
D - Overall Depth	23-1/2"
E - Overall Height	43-1/2"
F - Overall Width	29-3/4"

Note: Cabinets installed adjacent to wall ovens must have an adhesion spec of at least 194° F temperature rating.



Installation Information: Before installing, consult installation instructions [Pub. No. 31-10198 (JTP95/85); Pub. No. 31-10125 (JT950, JTP56/45/27)] packed with product for current dimensional data.

30" Built-In Single Ovens

	GE Profile Performance Series™	GE Profile™	GE
	Convection Single Ovens		Single Ovens
	JT910SA JT910WA JT910CA JT910AA JT910BA	JTP18WA JTP18AA JTP18BA	JTP15WA JTP15AA JTP15BA
Features			
Oven interior	Convection/Self-Clean	Convection/Self-Clean	Self-Clean
Cleaning time	Variable	Variable	Variable
Automatic self-clean oven door lock	●	●	●
Self-clean oven w/Delay Clean option	●	●	●
TrueTemp™ System	●	●	●
Variable broil/Six-pass broil element	●	●	●
SmartSet Controls	●	●	●
Proofing	●		
Convection conversion	●	●	
Convection Bake	●	●	
Convection Roast	●	●	
CleanDesign oven interior	●	●	
Automatic meat thermometer	●	●	
Temperature display	●	●	●
Start pad	●	●	●
Delay Bake option with Cook & Hold	●	●	●
C° or F° programmable	●	●	●
Audible preheat signal	●	●	●
Auto oven shut-off w/override	●	●	●
Electronic clock and kitchen timer	●	●	●
Control lock capability	●	●	●
Oven light pad	●	●	●
Oven racks*	3	3	2
Gourmet Shelf	●		
Embossed rack positions	7	7	6
Roasting rack	●	●	
Broiler pan with grid	●	●	●
Appearance			
	SS WW CC AA BB	WW AA BB	WW AA BB
Color appearance**	Stainless White Bisque Almond Black	White Almond Black	White Almond Black
Frameless glass oven door			
Big View window	●	●	●
Lift-off oven door	●	●	●
Designer-style handle	Integrated	Integrated	●
Flush appearance installation	●	●	●
Undercounter installation	●	●	●
Weight & Dimensions			
Approx. shipping weight (lbs.)	135	135	130
Oven cabinet width required (in.)	30	30	30
Overall dimensions (WxHxD in inches)	30 x 28-1/4 x 23-1/2		
Overall oven interior (WxHxD in inches)	24 x 17-3/8 x 15-3/4		24 x 17-3/8 x 17-19/32
Power/Ratings			
KW rating @ 240V	3.6	3.6	3.6
208V	2.7	2.7	2.7
Amps @ 240V	20	20	20
208V	20	20	20
Convection wattage	2500	2500	
Broiler/bake wattage	3600/3400	3600/3400	3600/3400

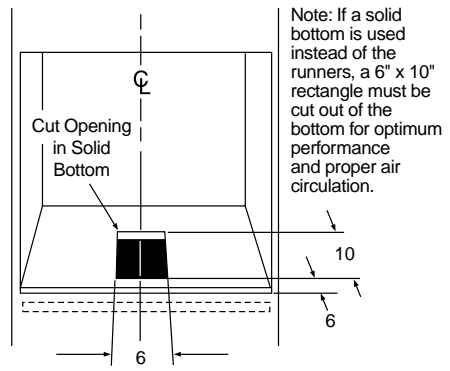
*Additional racks available.
**SS = Stainless Steel, WW = White on white, CC = Bisque, AA = Almond on almond, BB = Black on black.

30" Built-In Single Oven Dimensions (in inches) Single Oven Wall-Mount or Cabinet Installation (in inches)

Note: These ovens are *not* approved for stackable or side-by-side installations.

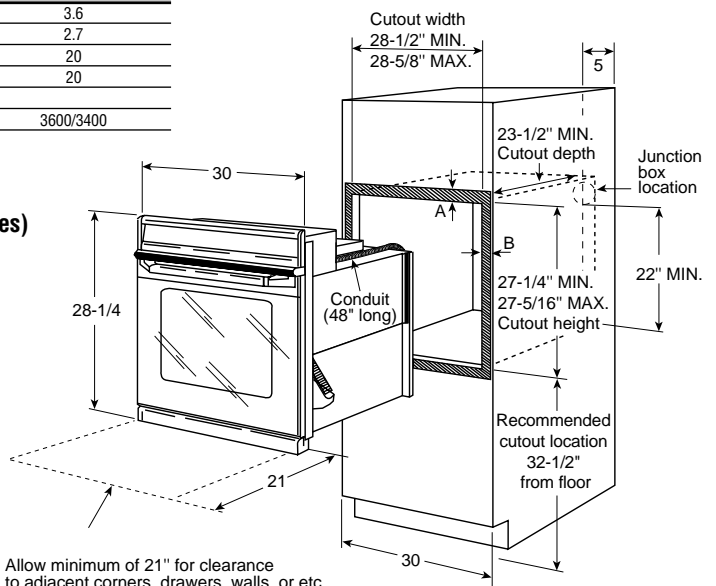
Note: Cabinets installed adjacent to wall ovens must have an adhesion spec of at least 194° F temperature rating.

Recommended for solid bottom installation



(Must support 200 LBS.)

Most 30" Wall Cabinets can be used with this unit.

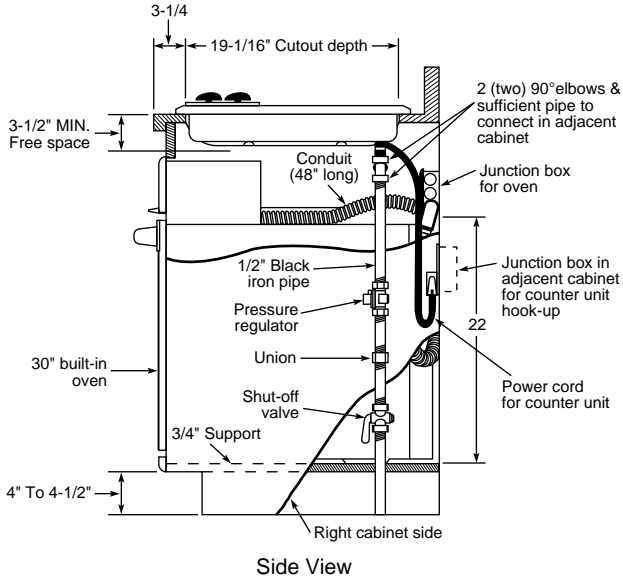


Allow minimum of 21" for clearance to adjacent corners, drawers, walls, or etc.

A=Allow 1" overlap of oven over top and bottom edges of cutout.
B=Allow 11/16"-3/4" for overlap of oven over side edges of cutout.

30" Built-In Single Ovens (continued)

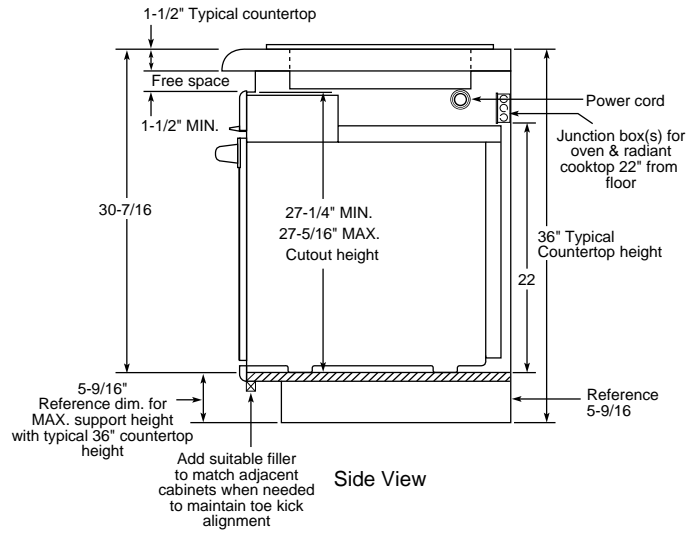
Optional Undercounter Installation With 36" Gas Cooktop (in inches)



Side View

Note: For standard or sealed burner cooktop installation information over the 30" wall oven, refer to 27" wall oven installation, page 177.

Optional Undercounter Installation With 30" CleanDesign or Sealed Burner Gas Cooktop (in inches)



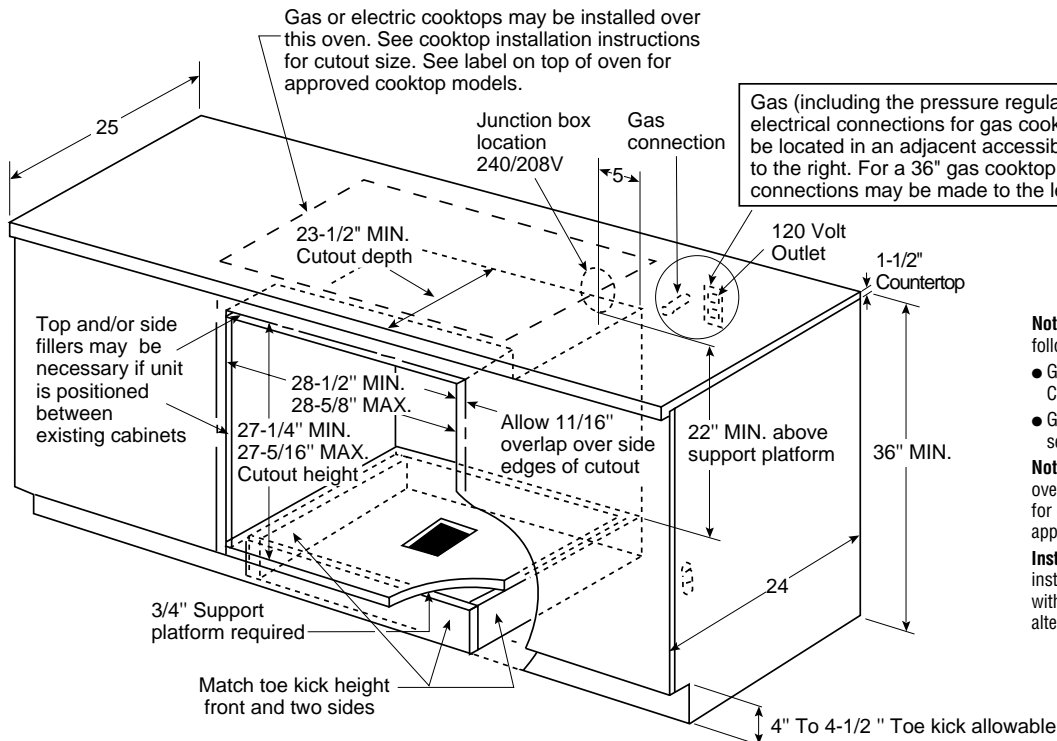
Side View

This installation is to achieve minimum gap between bottom of countertop and control panel.

Note: For this installation, the bottom trim *will not* be flush with a typical 4" toe kick.

Note: Cabinets installed adjacent to wall ovens must have an adhesion spec of at least 194° F temperature rating.

Undercounter Installation (in inches)



Note: Oven is rated for use only under the following cooktops:

- GE 30" and 36" electric coil and CleanDesign cooktops
- GE 30" and 36" gas standard and sealed burner cooktops

Note: Gas or electric cooktops may be installed over this oven. See cooktop installation instructions for cutout size. See label on back of oven for approved cooktop models.

Installation Information: Before installing, consult installation instructions (Pub. No. 31-10125) packed with product for current dimensional data and for alternate installation options.

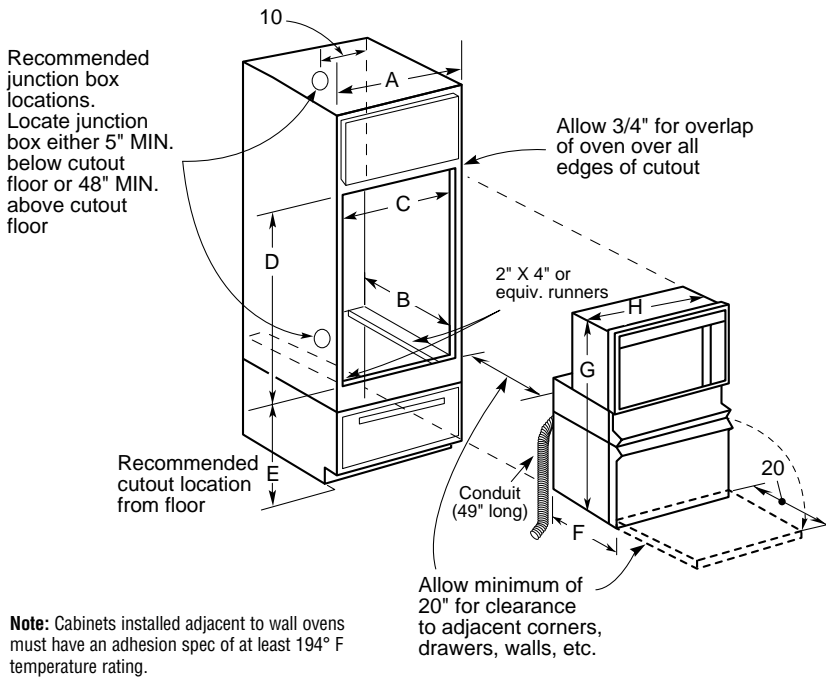
27" and 24" Built-In Double Ovens

Oven Features	GE	GE Profile Performance Series™	GE Profile™	GE		24" Double Oven	
	27" Microwave Double Ovens	27" Convection Double Ovens		27" Double Ovens			
	JKP85WA JKP85BA	JK950WA JK950CA JK950AA JK950BA	JKP56WA JKP56AA JKP56BA	JKP45WA JKP45BA	JKP27WA JKP27BA		JRP24BW
Features							
Oven interior	Upper Oven Lower Oven	Microwave Self-Clean	Convection/Self-Clean Self-Clean	Convection/Self-Clean Self-Clean	Self-Clean Self-Clean	Self-Clean Standard	Self-Clean Standard
Variable cleaning time	Lower	●	●	●	●	Upper	Upper
Self-clean oven	Lower	●	●	●	●	Upper	Upper
Automatic self-clean oven door lock	Lower	●	●	●	●	Upper	Upper
Delay Clean option	Lower	●	●	●	●	Upper	Upper
TrueTemp™ System	Lower	●	●	●	●	Upper	Upper
Variable broil	Lower	●	●	●	●	Upper	Upper
SmartSet Controls	Lower	●	●	●	●	Upper	Upper
Proofing		Upper					
Convection conversion		●	●				
Convection Bake		●	●				
Convection Roast		●	●				
CleanDesign oven interior		●	●				
Auto. meat thermometer		Upper	Upper				
Temperature display	●	●	●	●	●	Upper	Upper
Start pad	●	●	●	●	●	Upper	Upper
Cook & Hold	●	●	●	●	●	Upper	Upper
Delay Bake option	Lower	●	●	●	●	Upper	Upper
C° or F° programmable	Lower	●	●	●	●	Upper	Upper
Audible preheat signal	Lower	●	●	●	●	●	●
Auto oven shut-off w/override	Lower	●	●	●	●	Upper	Upper
Electronic clock and kitchen timer	●	●	●	●	●	●	●
Control lock capability	Lower	●	●	●	●	Upper	Upper
Oven light pad	●	●	●	●	●	●	●
Microwave Oven Features:							
Microwave cooking timer	99-Min./99-Sec.						
Microwave power levels	10						
Sensor functions	3						
Electronic MWO touch controls	●						
Microwave oven cavity (cu. ft.)	1.6						
MWO power output watts	1000						
Turntable	●						
Oven racks	2-Lower	3-Upper 2-Lower	3-Upper 2-Lower	2-Each	2-Each	2-Each	
Gourmet Shelf		●					
Roasting rack		●	●				
Broiler pan with grid	●	●	●	●	●	●	
Appearance							
Color appearance*	WW BB	WW CC AA BB White Bisque	WW AA BB White Almond Black	WW BB White Black	WW BB White Black	BB Black	
Frameless glass oven doors	White Black	White Almond Black	White Almond Black	White Black	White Black	Black	
Oven doors with windows	●	Big View	Big View	Big View	Big View	●	
Lift-off oven door	Lower	●	●	●	●	●	
Designer-style handles	Sure Grip	Integrated	Integrated	Sure Grip	Sure Grip	●	
Flush appearance installation	●	●	●	●	●		
Weight & Dimensions							
Approx. ship. weight (lbs.)	155	162	162	157	157	135	
Oven cabinet width required (in inches)	27	27	27	27	27	24	
Overall dimensions (WxHxD in inches)	26-3/4 x 43 x 23-1/2	← 26-5/8 x 51-1/8 x 23-5/8 →				23-3/4 x 48-5/8 x 23-1/8	
Overall oven interior dimensions (WxHxD in inches)	Upper Lower	← 19 x 15 x 16 →		← 19 x 15 x 18 →		17 x 15 x 18-1/2	
		← 19 x 15 x 18 →				17 x 15 x 18-1/2	
Power/Ratings							
KW rating @ 240V	6.5	6.8	6.8	6.8	7.1	7.1	
208V	4.9	5.1	5.1	5.1	5.3	5.3	
Amps @ 240V	30	30	30	30	30	30	
208V	30	30	30	30	30	30	
Convection wattage		2500	2500				
Broiler/bake wattage	3400/2650	3400/2640	3400/2640	3400/2600	3400/2600	3400/2600	

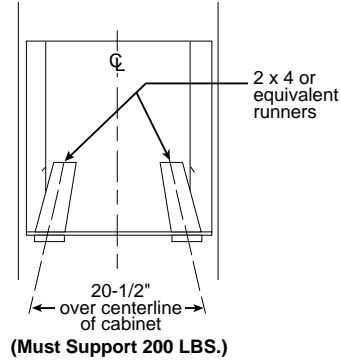
*WW = White on white, CC = Bisque, AA = Almond on almond, BB = Black on black.

27" and 24" Built-In Double Ovens (continued)

27" Built-In Microwave Double Oven Dimensions (in inches) Model JKP85

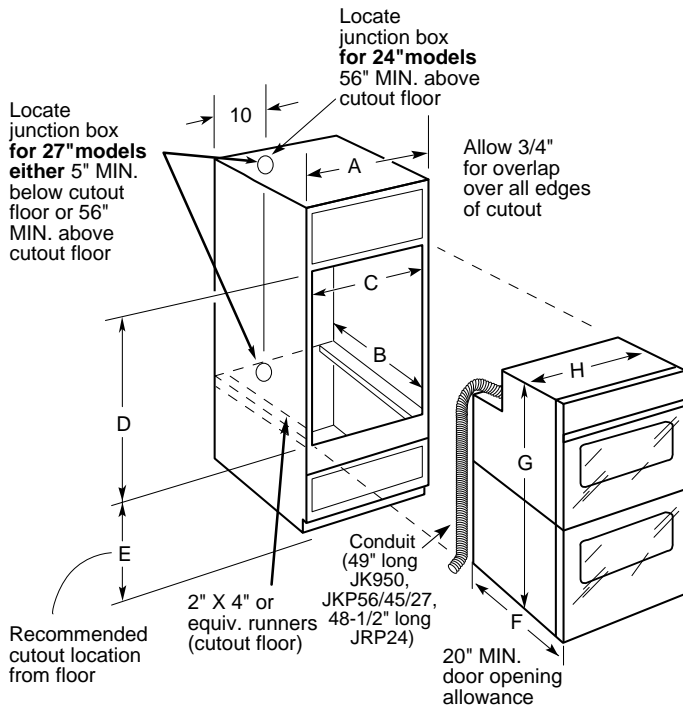


Note: Cabinets installed adjacent to wall ovens must have an adhesion spec of at least 194° F temperature rating.



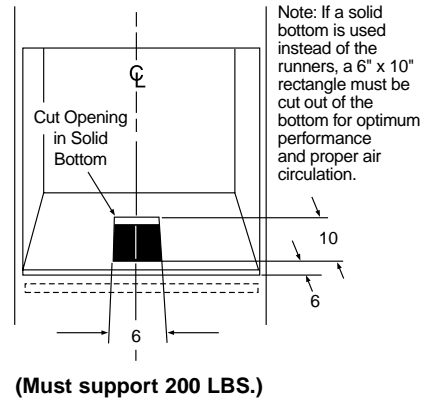
Cabinet	27"
A - Cabinet Width Required	27" min.
B - Minimum Cabinet Depth	23-5/8"
C - Minimum Opening Width	25"
D - Opening Height	41-1/4" max.
E - Minimum Cutout Location from Floor	22"
Oven	
F - Overall Depth	23-1/2"
G - Overall Height	43"
H - Overall Width	26-3/4"

27"/24" Built-In Double Oven Dimensions (in inches)



Note: Cabinets installed adjacent to wall ovens must have an adhesion spec of at least 194° F temperature rating.

Recommended for solid bottom installation



Cabinet	JK950, JKP56/45/27	JRP24
A - Cabinet Width Required	27" min.	24" min.
B - Minimum Cabinet Depth	23-5/8"	23-1/2"
C - Minimum Opening Width	25"	22-1/2"
D - Opening Height	49-1/2" min.	48-1/8" min.
E - Recommended Minimum Cutout Location from Floor	13-1/4"	14"
Oven		
F - Overall Depth	23-5/8"	23-1/8"
G - Overall Height	51-1/8"	48-5/8"
H - Overall Width	26-5/8"	23-3/4"

Installation Information: Before installing, consult installation instructions [Pub. No. 31-10117 (JKP85); [Pub. No. 31-10200 (JK950, JKP56/45/27); Pub. No. 31-10118 (JRP24)] packed with product for current dimensional data.



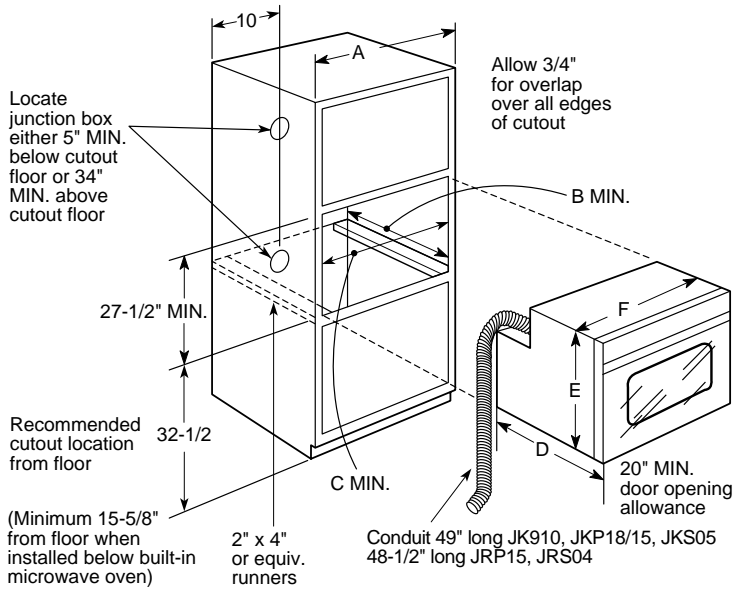
See page 150 for warranty information.

27" and 24" Built-In Single Ovens

Features	GE Profile Performance Series™	GE Profile™	GE			
	27" Convection Single Ovens		27" Single Ovens		24" Single Ovens	
	JK910WA JK910CA JK910AA JK910BA	JKP18WA JKP18AA JKP18BA	JKP15WA JKP15AA JKP15BA	JKS05BA	JRP15WW JRP15BW	JRS04BW
Oven interior	Convection/Self-Clean	Convection/Self-Clean	Self-Clean	Standard	Self-Clean	Standard
Variable cleaning time	●	●	●		●	
Automatic self-clean oven door lock	●	●	●		●	
Self-clean oven w/Delay Clean option	●	●	●		●	
TrueTemp™ System	●	●	●			
Variable broil	●	●	●	●	●	●
SmartSet Controls	●	●	●	●	●	●
Proofing	●					
Convection conversion	●	●				
Conv. Bake/Conv. Roast	●	●				
CleanDesign oven interior	●	●				
Automatic meat thermometer	●	●				
Temperature display	●	●	●	●	●	●
Start pad	●	●	●	●	●	●
Delay Bake option w/Cook & Hold	●	●	●	●	●	●
C° or F° programmable	●	●	●	●	●	●
Audible preheat signal	●	●	●	●	●	●
Auto oven shut-off w/override	●	●	●	●	●	●
Electronic clock and kitchen timer	●	●	●	●	●	●
Control lock capability	●	●	●		●	
Oven light pad	●	●	●	●	●	●
Oven racks	3	3	2	2	2	2
Gourmet Shelf	●					
Roasting rack	●	●				
Broiler pan with grid	●	●	●	●	●	●
Appearance						
Color appearance*	WW CC AA BB	WW BB	WW AA BB	BB	WW BB	BB
Frameless glass oven door	White Bisque Almond Black	White Almond Black	White Almond Black	Black	White Black	Black
Oven door with window	●	●	●	●	●	●
Lift-off oven door	●	●	●	●	●	●
Designer-style handle	Integrated	Integrated	Sure Grip	●	●	●
Flush appearance installation	●	●	●	●		
Undercounter installation	●	●	●	●		
Weight & Dimensions						
Approx. shipping weight (lbs.)	98	98	93	91	114	82
Oven cabinet width required (in.)	27	27	27	27	24	24
Overall dimensions (WxHxD in inches)	← 26-5/8 x 29-1/8 x 23-5/8 →				← 23-3/4 x 28-3/16 x 23-1/8 →	
Overall oven interior dimensions (WxHxD in inches)	← 19 x 15 x 16 →		← 19 x 15 x 18 →		← 17 x 15 x 18-1/2 →	
Power/Ratings						
KW rating @ 240V	3.4	3.4	3.4	3.4	3.4	3.4
208V	2.6	2.6	2.6	2.6	2.6	2.6
Amps @ 240V	20	20	20	20	20	20
208V	20	20	20	20	20	20
Convection wattage	2500	2500				
Broiler/bake wattage	3400/2640	3400/2640	3400/2600	3400/2000	3400/2600	3400/2000

*WW = White on white, CC = Bisque, AA = Almond on almond, BB = Black on black.

27"/24" Built-In Single Oven Dimensions (in inches)

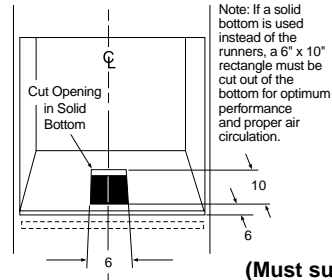


Note: Models JKS05, JRP15 and JRS04 are *not* approved for stackable or side-by-side installations.

Note: Cabinets installed adjacent to wall ovens must have an adhesion spec of at least 194° F temperature rating.

Note: Models JK910, JKP18 and JKP15 can be installed side-by-side with no less than 30" distance between center to center of each oven.

Recommended for solid bottom installation



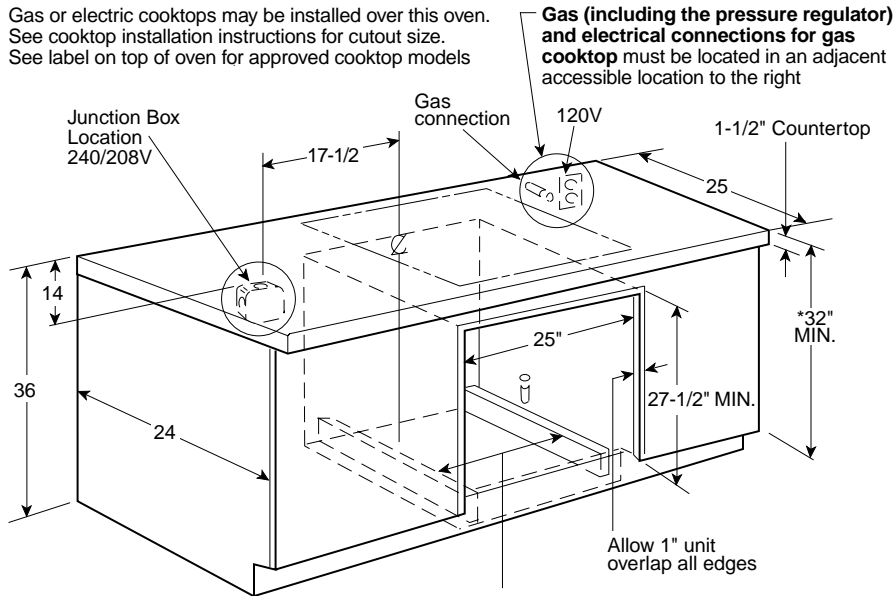
(Must support 200 LBS.)

Cabinet	JK910, JKP18/15, JKS05	JRP15, JRS04
A - Cabinet Width Required	27" min.	24" min.
B - Minimum Cabinet Depth	23-5/8"	23-1/2"
C - Minimum Opening Width	25"	22-1/2"
Oven		
D - Overall Depth	23-5/8"	23-1/8"
E - Overall Height	29-1/8"	28-3/16"
F - Overall Width	26-5/8"	23-3/4"

Installation Information: Before installing, consult installation instructions [Pub. No. 31-10200 (JK910, JKP18/15, JKS05); Pub. No. 31-10118 (JRP15, JRS04)] packed with product for current dimensional data.

Undercounter Installation Dimensions (in inches) Models JK910, JKP18, 15 and JKS05

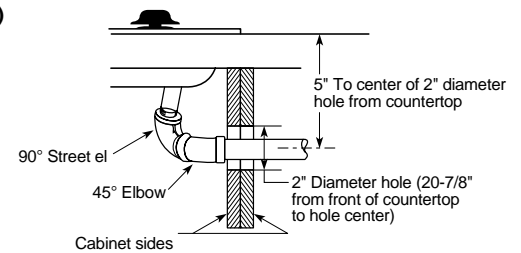
Gas or electric cooktops may be installed over this oven. See cooktop installation instructions for cutout size. See label on top of oven for approved cooktop models



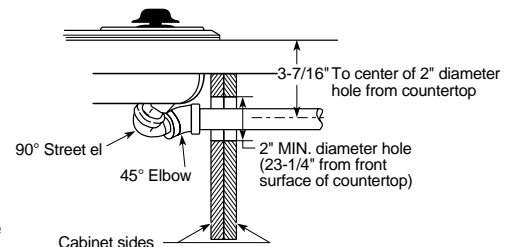
Use 2—2" x 4"s or equivalent runners spaced 19" apart (on inside surfaces) centered in opening & flush with top of toe plate

*32" MIN. from top of countertop (1-1/2") to top of runners must be maintained

Sealed Burner Gas Cooktop Installation Dimensions (in inches)



Standard Burner Gas Cooktop Installation Dimensions (in inches)



Note: Cabinets installed adjacent to wall ovens must have an adhesion spec of at least 194° F temperature rating.

Note: Oven is rated for use only under 30" standard or sealed burner gas and 30" CleanDesign and Calrod® electric cooktops.

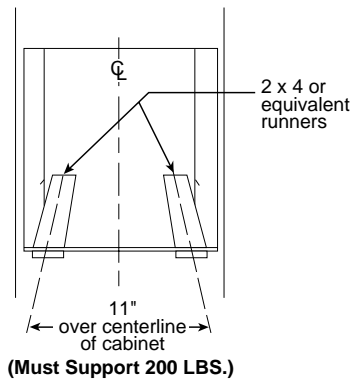
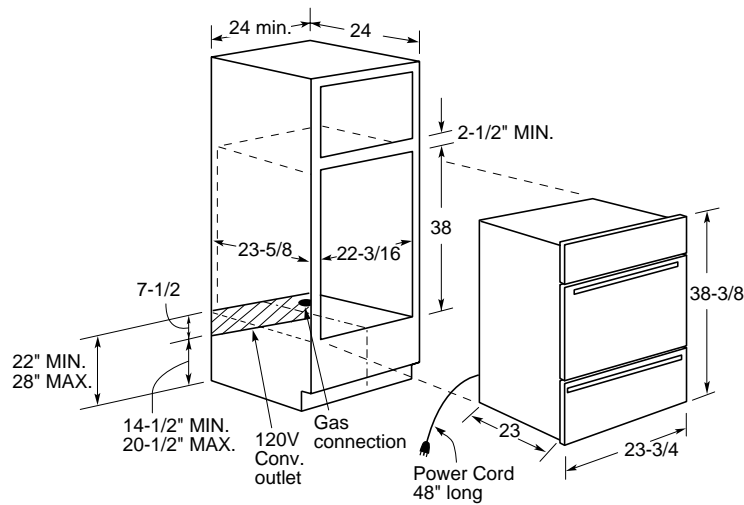
Installation Information: Before installing, consult installation instructions [Pub. No. 31-10200 (JK910, JKP18/15, JKS05)] packed with product for current dimensional data.

24" Built-In Gas Ovens

	GE	
	JGRP17WEW JGRP17BEW	JGRS14BEW
Features		
Oven interior	Self-Clean	Standard
Automatic self-clean oven door lock	●	
Delay Clean option	●	
In-oven broiling	●	
Separate broiler drawer		●
Storage drawer	●	
SmartSet Controls	●	●
Temperature display	●	●
Start pad	●	●
Delay Bake option with Cook & Hold	●	●
C° or F° programmable	●	●
Audible preheat signal	●	●
Auto oven shut-off w/override	●	●
Electronic clock and kitchen timer	●	●
Control lock capability	●	
Oven light pad	●	●
Oven shelves	2	2
Broiler pan with grid	●	●
Electronic pilotless ignition	●	●
Appearance		
Color appearance*	WW BB	BB
Frameless oven door	White Glass Black Glass	Black Glass
Oven door with window	●	●
Designer-style handle	●	●
Weights & Dimensions		
Approximate shipping weight (lbs.)	144	139
Oven cabinet width required (in inches)	24	24
Overall dimensions (WxHxD in inches)	← 23-3/4 x 38-3/8 x 23 →	
Overall oven interior dimensions (WxHxD in inches)	← 17 x 15 x 18-7/8 →	
Power/Ratings		
Gas oven electrical rating	← 120V, 60Hz, 5A →	
Oven /broiler burners (000's BTU's)	14.5 - Oven 13.0 - Broil	14.5

*WW = White on white, BB = Black on black.
Factory set for Natural Gas.

Built-In Gas Oven Dimensions (in inches)



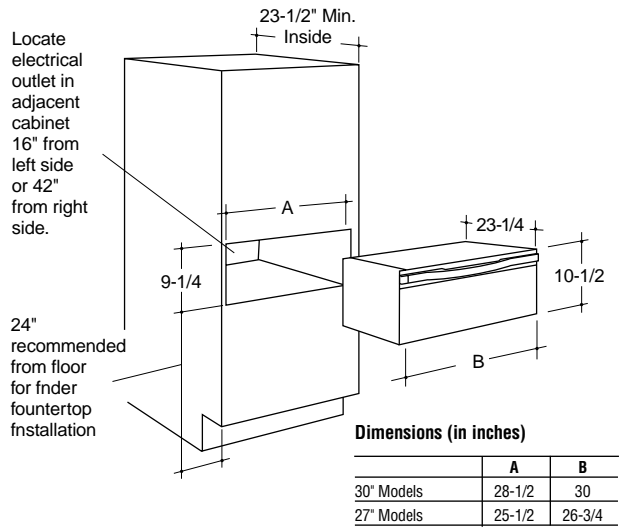
Installation Information:
Before installing, consult installation instructions [Pub. No. 31-10155 (JGRP17); Pub. No. 31-10156 (JGRS14)] packed with product for current dimensional data.

30" and 27" Warming Drawers

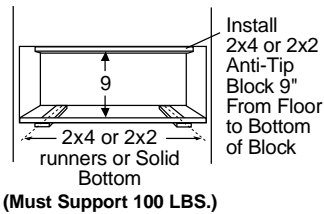
GE Profile Performance Series™		
	30" Warming Drawers	27" Warming Drawers
	JTD910SB JTD910WB JTD910CB JTD910AB JTD910BB	JKD910SB JKD910WB JKD910CB JKD910AB JKD910BB
Features		
Temperature control	●	●
Proof (80°F.)	●	●
Low (140°F.)	●	●
Medium (170°F.)	●	●
High (210°F.)	●	●
Humidity control	Crisp/Moist	Crisp/Moist
Hidden control	●	●
ON/OFF switch	●	●
"ON" indicator light	●	●
Half rack	●	●
Full extension drawer glide	●	●
Removable stainless steel pan	●	●
Appearance		
	SS WW CC AA BB	SS WW CC AA BB
Color appearance*		
Frameless drawer front	●	●
Handle style	Integrated Designer-Style	Integrated Designer-Style
Weights & Dimensions		
Interior dimensions (WxHxD in inches)	23-7/8 x 6-1/4 x 22-1/16	20-7/8 x 6-1/4 x 22-1/16
Cutout dimensions (WxHxD in inches)	28-1/2 x 9-1/4 x 23	25-1/2 x 9-1/4 x 23
Approx. shipping weight (lbs.)	65	59
Power/Ratings		
KW rating @ 120V	.45	.45
Amps @ 120V	15	15
Element wattage	450	450
Accessories		
1/4" panel kit capability	ZXD30B	ZXD27B
Pan set (5 pans with lids)	JXPN1	JXPN1

*SS = Stainless Steel, WW = White on white, CC = Bisque, AA = Almond on almond, BB = Black on black.

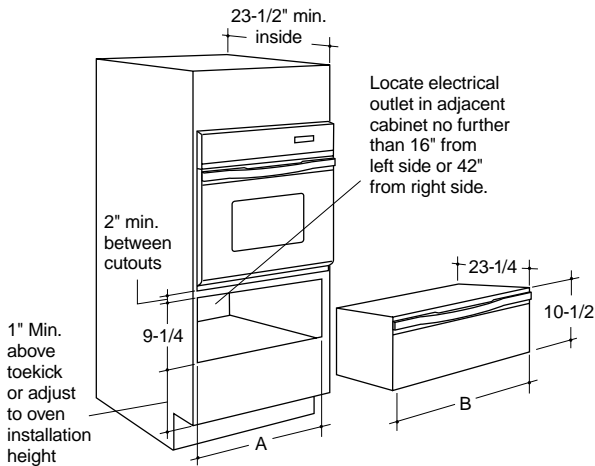
Warming Drawer Dimensions (in inches)



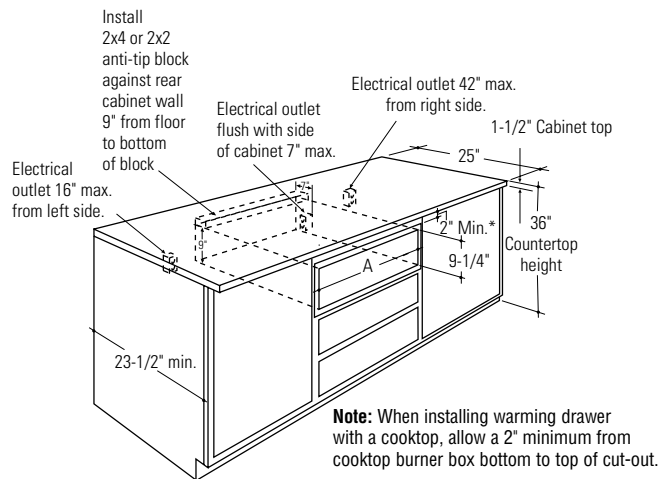
	A	B
30" Models	28-1/2	30
27" Models	25-1/2	26-3/4



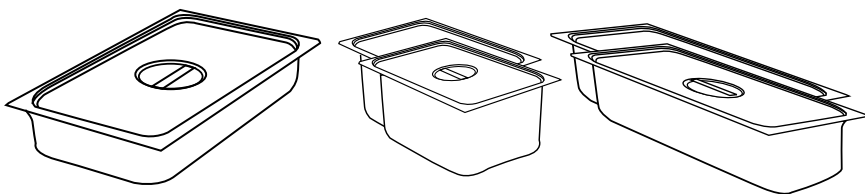
Under Oven Installation (in inches)



Undercounter Installation (in inches)



Pan Set Accessory For Warming Drawer – JXPN1



Five commercial pans with lids (4" deep)

- One large pan (14 quarts)
- Two medium pans (6 quarts each)
- Two small pans (3 quarts each)

Built-In CleanDesign Cooktops

	GE Profile Performance Series™		GE Profile™	GE
	Ribbon		Ribbon	Ribbon
	JP960SA JP960TB JP960WA JP960CA JP960AA JP960BA	JP930SA JP930TB JP930WA JP930CA JP930AA JP930BA	JP350TB JP350WA JP350AA JP350BA	JP340WA JP340BA
Features	Patterned Black True White Patterned White Patterned Bisque Patterned Almond Patterned Black		True White Patterned White Patterned Bisque Patterned Almond Patterned Black	Patterned White Patterned Black
Glass-ceramic surface	Patterned Black		True White	Patterned White
Number of elements	5 Ribbon	4 Ribbon	4 Ribbon	4 Ribbon
Dual 6"/9" heating elements	1 Ribbon (2500W)	1 Ribbon (2500W)	1 Ribbon (2500W)	
8" heating elements			2 Ribbon (2000W)	2 Ribbon (2000W)
7" heating element	1 Ribbon (1500W)			
7" heating elements	2 Ribbon (1800W)	2 Ribbon (1800W)		
Bridge element	1 Ribbon (800W)	1 Ribbon (800W)		
Total wattage	4400W	4400W		
6" heating elements	1 Ribbon (1200W)	1 Ribbon (1200W)	1 Ribbon (1200W)	2 Ribbon (1200W)
Hot surface indicator lights	5	4	4	1
Appearance	SS WW WW CC AA BB		SS WW WW CC AA BB	WW WW AA BB
Color appearance*				
Frameless	●	●	●	●
Weights & Dimensions	36		30	30
Cooktop width (in inches)	36	30	30	30
Approx. shipping weight (lbs.)	44	38	38	35
Power/Ratings	9.6		8.1	7.7
KW rating @ 240V	9.6	8.1	7.7	6.4
208V	7.2	6.1	5.8	4.8
Amps @ 240V	40	40	40	30
208V	40	30	30	30

*SS = Stainless Steel, WW = White on white, CC = Bisque, AA = Almond on almond, BB = Black on black.

Installation Information:

Requires a 5" free area between the bottom of the cooktop to any combustible material, i.e., shelving. Free area not required when installing wall oven underneath cooktop. Refer to installation instructions. Requires an 18" minimum from cooktop to adjacent overhead cabinets. Units are furnished with a 48" flexible armored cable.

Before installing, consult installation instructions [Pub. No. 31-10150 (JP960); Pub. No. 31-10153 (JP930); Pub. No. 31-10147 (JP350/340)] packed with product for current dimensional data.

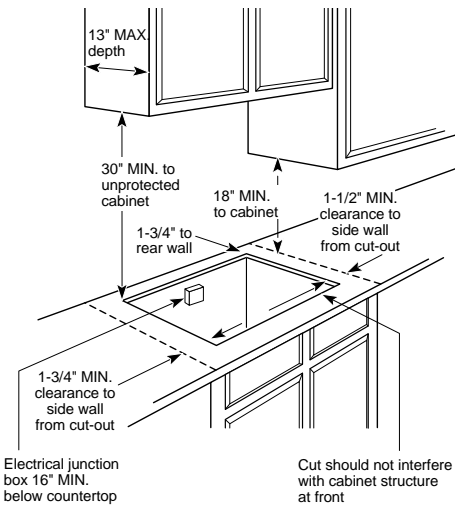
36" Ribbon cooktops are approved for use over GE 30" Single Wall Ovens only. 30" Ribbon cooktops are approved for use over select GE 27" or 30" Single Wall Ovens. Refer to cooktop and wall oven installation instructions packed with product for current dimensional data.

Note: If installing with a GE Profile Performance™ or GE Profile™ Telescopic Downdraft System, consult both cooktop and downdraft installation instructions packed with product before installing. Cooktop gas/electric supply may need to be re-routed to install downdraft.

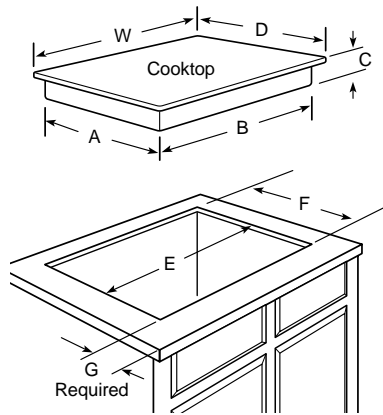
Note: The countertop must be at least 26" deep with a flat surface area of 23-1/2" or more, front to back. In addition, other clearances to the front edge of the countertop must be considered.

Note: Consult cabinet and countertop manufacturer's specs for flush mount installation prior to install.

Counter Installation Dimensions (in inches)



Cooktop Dimensions (in inches)



Filler Trim Kit

When replacing an old GE 30" cooktop (with larger opening) with Models JP930/350/340, use the following one-piece trim kit to fill in the over-size hole. Available at additional cost.

- JXTR30W (White)
- JXTR30C (Bisque)
- JXTR30A (Almond)
- JXTR30B (Black)

Flush Mount Installation Kit

Accommodates both 30" and 36" installations.

- JXFMWW (White on white)
- JXFMCC (Bisque)
- JXFMAA (Almond on almond)
- JXFMBB (Black on black)

Dimensions (in inches)

Model	Overall					Cutout			To Edge of Front Counter (Min.)
	W	D	A	B	C	E	F	G	
JP960SA/TB/WA/CA/AA/BA	35	20	19-1/32	33-13/16	3-3/8*	33-7/8	19-1/16	2-1/2	
JP930SA/TB/WA/CA/AA/BA	29-3/8	20-1/2	19-3/8	28-1/8	3-3/8*	28-1/2	19-5/8	2-1/2	
JP350TB/WA/AA/BA	29-3/8	20-1/2	19-3/8	28-1/8	3-3/8*	28-1/2	19-5/8	2-1/2	
JP340BA/WA	29-3/8	20-1/2	19-3/8	28-1/8	3-3/8*	28-1/2	19-5/8	2-1/2	

*Depth of unit at conduit connection location (rear) is 4-3/4".

Built-In Electric Cooktops

GE				
	JP626WV JP626AV	JP326WV JP326AV JP326BV JP326CV	JP201CB	JP200V
Features				
Cooktop surface	Porcelain-Enameled	Porcelain-Enameled Porcelain-Enameled Brushed-Chrome	Stainless Steel	Porcelain-Enameled
Lift-up cooktop with support rod	●	●		
8" heating elements	2 Plug-In Calrod®	2 Plug-In Calrod®	1 Plug-In	1 Plug-In
6" heating elements	2 Plug-In Calrod®	2 Plug-In Calrod®	1 Plug-In	1 Plug-In
One-piece removable drip bowls	Chrome	Chrome Chrome Black Porc.-Enam. Chrome	Chrome	Chrome
Infinite heat rotary controls	●	●	●	●
Control panel location	Upfront	Right Side	Upfront	Upfront
Control panel	White Glass Almond Glass	White Glass Almond Glass Black Glass Black Glass		
Surface element "ON" indicator light	●	●	●	●
Appearance				
Color appearance*	WW AA	WW AA BB BC	SS	WH
Weights & Dimensions				
Cooktop width (in inches)	36	30	21-1/4	21-1/4
Approx. shipping weight (lbs.)	38	29	18	18
Power/Ratings				
KW rating @ 240V	7.4	7.4	3.4	3.4
208V	5.6	5.6	2.5	2.5
Amps @ 240V	40	40	20	20
208V	30	30	20	20

*SS = Stainless Steel, WW = White on white, AA = Almond on almond, BB = Black on black, BC = Brushed-Chrome, WH = White.

Built-In Electric Cooktops

Required free area between the bottom of the cooktop and any combustible material, i.e., shelving is 5" minimum on models JP626/326 and 1-1/2" minimum on models JP201/200. Free area not required when installing wall oven underneath. Requires an 18" minimum from cooktop to adjacent overhead cabinets. Units are furnished with a 48" flexible armored cable.

Installation Information:

Before installing, consult installation instructions [Pub. No. 31-10035 (JP626); Pub. No. 31-10114 (30" electric cooktops); Pub. No. 49-8204 (JP201/200)], packed with product for current dimensional data.

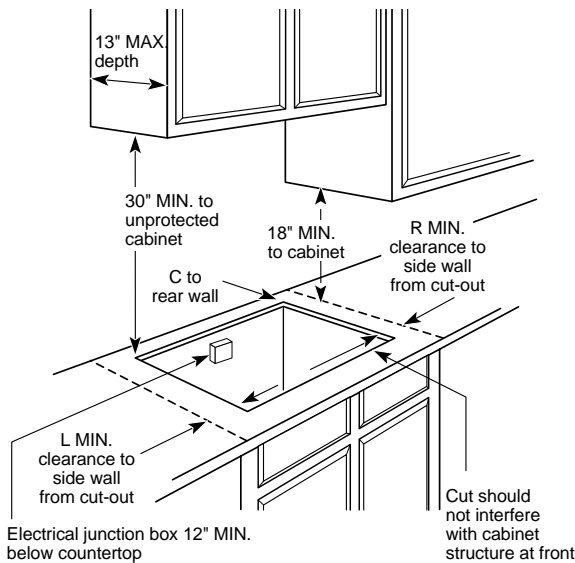
Cooktop models JP326WV/326AV/326BV/326CV are approved for use over select GE 27" or 30" Single Wall Ovens. JP626WV/626AV are approved for use over GE 30" Single Wall Ovens only. Refer to cooktop and wall oven installation instructions packed with product for current dimensional data.

Cooktop models JP200V and JP201CV are approved for use over GE undersink dishwasher model GSM2100. Refer to cooktop installation instructions packed with product for current dimensional data.

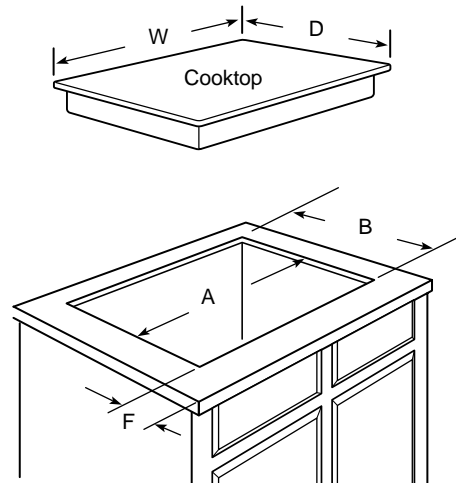
Note: If installing with a GE Profile Performance™ or GE Profile™ Telescopic Downdraft System, consult both cooktop and downdraft installation instructions packed with product before installing. Cooktop gas/electric supply may need to be re-routed to install downdraft.

Note: The countertop must be at least 26" deep with a flat surface area of 23-1/2" or more, front to back. In addition, other clearances to the front edge of the countertop must be considered.

Counter Installation Dimensions (in inches)



Built-In Cooktop Dimensions (in inches)



Dimensions (in inches)

Model	Overall		Cutout		Minimum Spacing To Nearest Combustible Wall			To Edge of Front Counter (Min.)
	W	D	A	B	C	R	L	F
JP626WV	35-1/2	21	33-7/8	19-1/16	1-3/4	6	6	2-1/2
JP626AV	35-1/2	21	33-7/8	19-1/16	1-3/4	6	6	2-1/2
JP326WV	30-1/4	21-1/4	28-1/2	19-5/8	1-3/4	2	5-1/2	2-1/2
JP326CV	30-1/4	21-1/4	28-1/2	19-5/8	1-3/4	2	5-1/2	2-1/2
JP326AV	30-1/4	21-1/4	28-1/2	19-5/8	1-3/4	2	5-1/2	2-1/2
JP326BV	30-1/4	21-1/4	28-1/2	19-5/8	1-3/4	2	5-1/2	2-1/2
JP201CB	21-1/4	16-5/8	20-1/8	16-1/8	2	2	2	2-1/2
JP200V	21-1/4	16-5/8	20-1/8	16-1/8	2	2	2	2-1/2

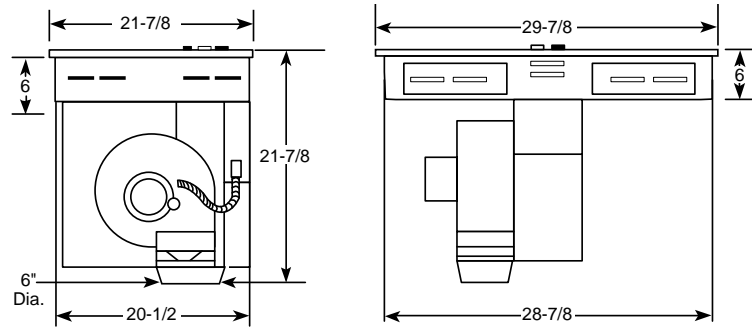
Filler Trim Kit—When replacing an old GE 30" cooktop (with larger opening) with Model JP326WV, JP326CV, JP326AV, JP326BV or use the following one-piece trim kit to fill in the over-size hole. Available at additional cost.
 JXTR30W (White)
 JXTR30C (Bisque)
 JXTR30A (Almond)
 JXTR30B (Black)

Downdraft Electric Cooktops

GE Profile Performance™	
	JP989TC
	JP989WC
	JP989CC
	JP989BC
Features	
Downdraft exhaust (CFM)	400
Three-speed downdraft vent fan	●
	Patterned True White
	Patterned White
	Patterned Bisque
	Patterned Black
Glass ceramic surface	
Number of elements	4
Dual 6/9" heating elements	1 Ribbon (1000/2500W)
7" heating elements	2 Ribbon (1800W)
Bridge element	1 Ribbon (1800/2600W)
Total Wattage	4400W
6" heating elements	1 Ribbon (1500W)
Infinite heat controls	●
Hot surface indicator lights	4
Heating element "ON" indicator light	●
Appearance	
	WW
	WW
	CC
	BB
Color appearance*	
Frameless	●
Weights & Dimensions	
Cooktop width (in inches)	30
Overall dimensions (WxD in inches)	29-7/8 x 21-7/8
Approximate shipping weight (lbs.)	72
Power/Ratings	
KW Rating @ 240V	8.8
208V	6.7
Amps @ 240V	40
208V	4.0

*WW = White on white, CC = Bisque, BB = Black on black.

Built-In Downdraft Cooktops Dimensions (in inches)



Wall Installation

Wall installations require 25" countertop depth. When cabinet is flush against the wall, the fan housing can be rotated to the horizontal position for direct venting through rear wall. Make a countertop cutout in the range cabinet according to unit dimensions and installation type. Duct hole is positioned in back of cabinet for through-the-wall ducting. Requires special offset adapter JXRW89.

Peninsula or Island Installation

For peninsula/islands a minimum 26" countertop depth is suggested. Blower should be in vertical position. Island or peninsula cabinets may require adjustment in cutout depth and/or location within the width dimensions. Duct hole is positioned in bottom of cabinet for island or peninsula installation.

Slab Installation

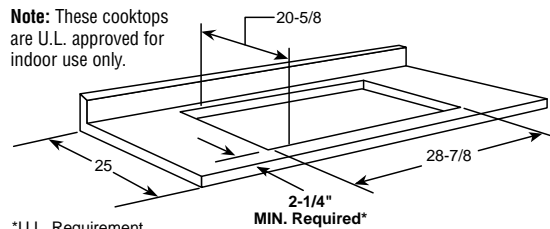
For peninsula or island installation and rear wall ducting, **6" PVC duct or locally approved piping should be used if installing under a poured concrete slab.**

Installation Information: Before installing, consult installation instructions packed with product for current dimensional data.

Note: Electrical cable is not supplied with unit

Cutout Dimensions (in inches)

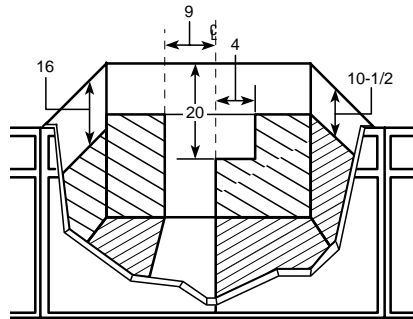
Note: These cooktops are U.L. approved for indoor use only.



*U.L. Requirement.

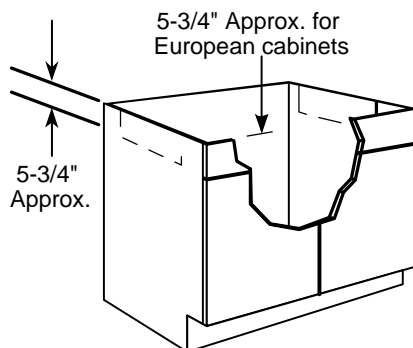
Note: A 6" minimum spacing to adjacent side wall is required

Cabinet Dimensions (in inches)



Receptacle Location

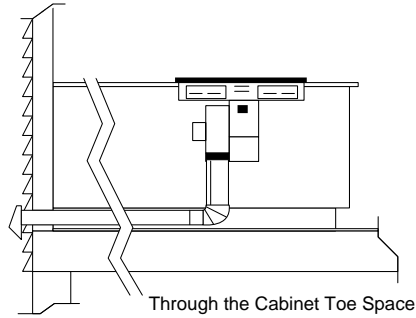
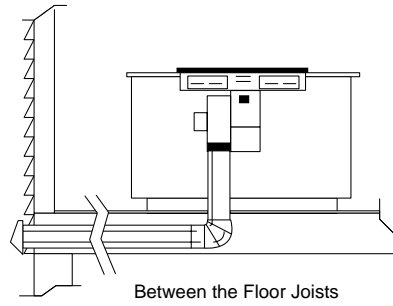
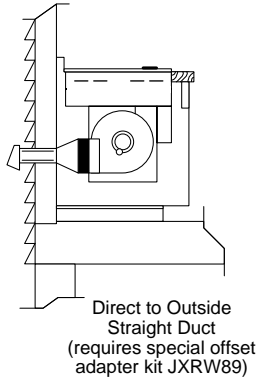
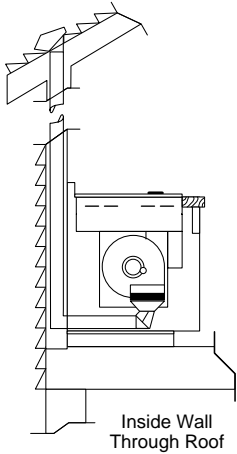
Install an approved junction box within shaded area shown in diagram. Junction box must be at least 10-1/2" below top of cabinet.



Preparing the Cabinet for Installation

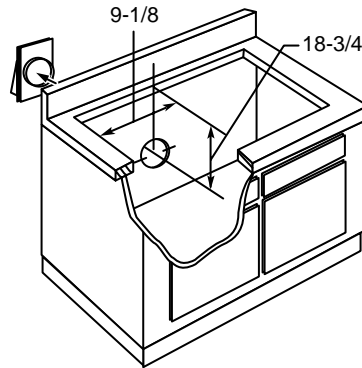
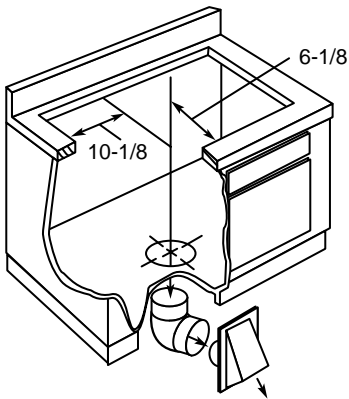
In some cabinets, the sides may need to be scooped or cut down 5-3/4" as shown (right) and the corner braces removed in order to accommodate the cooktop.

Venting Options



Downward Venting (in inches)

Rear Wall Venting (in inches)



Installing the Ductwork

Use galvanized or aluminum duct in 6" round or 3-1/4" x 10" size, or combination of both. **PVC duct or locally approved piping should be used if installing under a poured concrete slab.** Local building code must be followed in specifying type and schedule of all duct used.

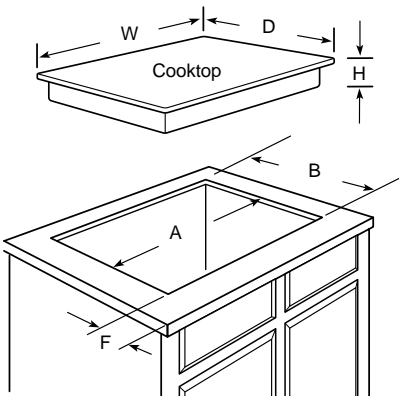
Note: Ductwork must be vented to outside. Do not vent into a wall, ceiling, crawlspace, attic or any concealed space. Always use an appropriate roof or wall cap with damper. **Laundry-type wall caps should never be used.** For maximum efficiency use the shortest and straightest duct run possible, with as few fittings as possible. For satisfactory performance the duct run should not exceed 100 feet equivalent length. Refer to the table of equivalent lengths (shown in installation instructions) for various duct configurations.

Built-In Gas Cooktops

	GE Profile Performance Series™		GE Profile™		GE		
	JGP960SEA	JGP930SEA	JGP636WEV JGP636CEV JGP636AEV JGP636BEV	JGP336WEV JGP336CEV JGP336AEV JGP336BEV	JGP626WEV JGP626AEV JGP626BEV	JGP326WEV JGP326AEV JGP326BEV	JGP320EV
Features							
Cooktop burners	5 Sealed	4 Sealed	5 Sealed	4 Sealed	4 Sealed	4 Sealed	4 Standard
Maximum Output burner	●	●	●	●	●	●	
Precise Simmer burner(s)	2	●	2	●	●	●	
Valves (degree of turn)	270	210	270	210	270	210	170
Electronic pilotless ignition	●	●	●	●	●	●	●
Glass cooktop	●	●	●	●	Porc.-Enam.	Porc.-Enam.	Porc.-Enam.
Removable round burner grates	Deluxe Cast	Deluxe Cast	Deluxe Cast	Deluxe Cast	Std. Cast	Std. Cast	Standard Steel
One-piece drip pans	Porc.-Enam.	Porc.-Enam.	Porc.-Enam.	Porc.-Enam.	Porc.-Enam.	Porc.-Enam.	Chrome
Glass control panel	Black	Black	White Bisque Almond Black	White Bisque Almond Black	White Black	White Almond Black	White/Black
Controls	Upfront	Right Side	Upfront	Right Side	Upfront	Right Side	Right Side
Appearance							
Color appearance*	SS	SS	WW AA BB CC	WW AA BB CC	WW AA BB	WW AA BB	WH/BL
Weight & Dimensions							
Cooktop width (in inches)	36	30	36	30	36	30	30
Approx. shipping weight (lbs.)	38	30	38	30	41	31	31
Power/Ratings							
Gas cooktop electrical rating	120V, 60Hz, 5A						
Burners	Nat. Gas/ LP Gas †	(1) 12.0/9.4 (2) 9.5/7.0 (2) 5.0/4.0	(1) 12.0/9.4 (2) 9.5/7.0 (1) 5.0/4.0	(1) 12.0/9.4 (2) 9.5/7.0 (2) 5.0/4.0	(1) 12.0/9.4 (2) 9.5/7.0 (1) 5.0/4.0	(3) 9.5/7.0 (1) 5.0/4.0	(4) 9.1/8.0

*SS = Stainless Steel, WW = White on white, CC = Bisque, AA = Almond on almond, BB = Black on black, WH = White, BL = Black.
 †A set of LP orifices is included with each cooktop for LP conversion. Factory set for Natural Gas.

Cooktop Dimensions (in inches)



Dimensions (in inches)

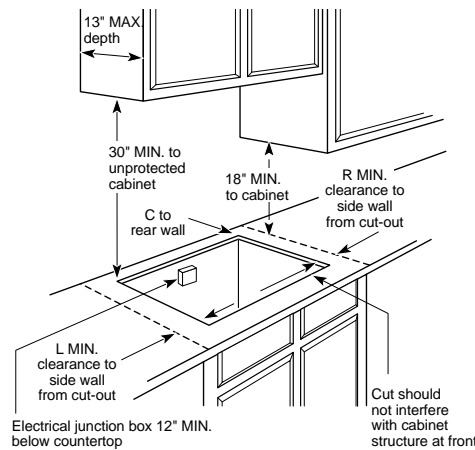
Model	Overall			Cutout			Minimum Spacing To Nearest Combustible Wall			To Edge of Front Counter
	W	D	H	A	B	C	L	R	F	
JGP960SEA	36	21	3-1/16	33-7/8	19-1/16	2-1/4	3-3/4	3-3/4	3-1/4	
JGP636WEV/CEV	36	21	3-1/16	33-7/8	19-1/16	2-1/4	3-3/4	3-3/4	3-1/4	
JGP636AEV/BEV	36	21	3-1/16	33-7/8	19-1/16	2-1/4	3-3/4	3-3/4	3-1/4	
JGP626WEV/AEV	35-1/2	21	3-5/16	33-7/8	19-1/16	2-1/4	3-3/4	3-3/4	3-1/4	
JGP626BEV	35-1/2	21	3-5/16	33-7/8	19-1/16	2-1/4	3-3/4	3-3/4	3-1/4	
JGP930SEA	30	21	2-1/2	28-1/2	19-1/2	2-1/4	3-3/4	3-3/4	3-1/4	
JGP336WEV/CEV	30	21	2-1/2	28-1/2	19-1/2	2-1/4	3-3/4	3-3/4	3-1/4	
JGP336AEV/BEV	30	21	2-1/2	28-1/2	19-1/2	2-1/4	3-3/4	3-3/4	3-1/4	
JGP326WEV/AEV	30-1/4	21-1/4	3-9/32	28-1/2	19-1/2	2-1/4	3-3/4	3-3/4	3-1/4	
JGP326BEV	30-1/4	21-1/4	3-9/32	28-1/2	19-1/2	2-1/4	3-3/4	3-3/4	3-1/4	
JGP320EV*	30-1/4	21-1/4	3-9/32	28-1/2	19-1/2	1-3/4	3	3	3-1/4	

*Allow 5-3/4" depth at rear for electrical and gas connections.

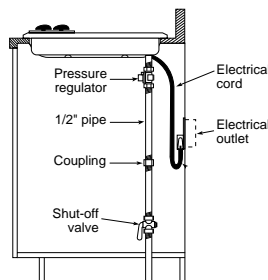
Note: All gas cooktop models require 7/16" free area below cooktop height to combustible material. 0" clearance is required between left and right sides of cooktop below countertop. Requires 18" minimum from countertop to adjacent overhead cabinets.* *AGA requirement.

Note: If installing with a GE Profile Performance™ or GE Profile™ Telescopic Downdraft System, consult both cooktop and downdraft installation instructions packed with product before installing. Cooktop gas/electric supply may need to be re-routed to install downdraft.

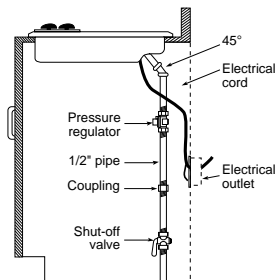
Counter Installation Dimensions (in inches)



Gas Connection Models JGP960, 636 and 626



Gas Connection Models JGP930, 336, 326 and 320



Installation Information: Before installing, consult installation instructions [Pub. No. 31-10169 (JGP636/626), Pub. No. 31-10172 (JGP336/326), Pub. No. 31-10004 (JGP320)] packed with product for current dimensional data.

Installation With Single Wall Oven Information:

30" Gas Cooktops are approved for use over select GE 27" Wall Ovens. 30" and 36" Gas Cooktops are approved for use over 30" Wall Ovens. Refer to cooktop and wall oven installation instructions packed with product for current dimensional data.

Optional Gas Range Wok Accessory (Available at additional cost)

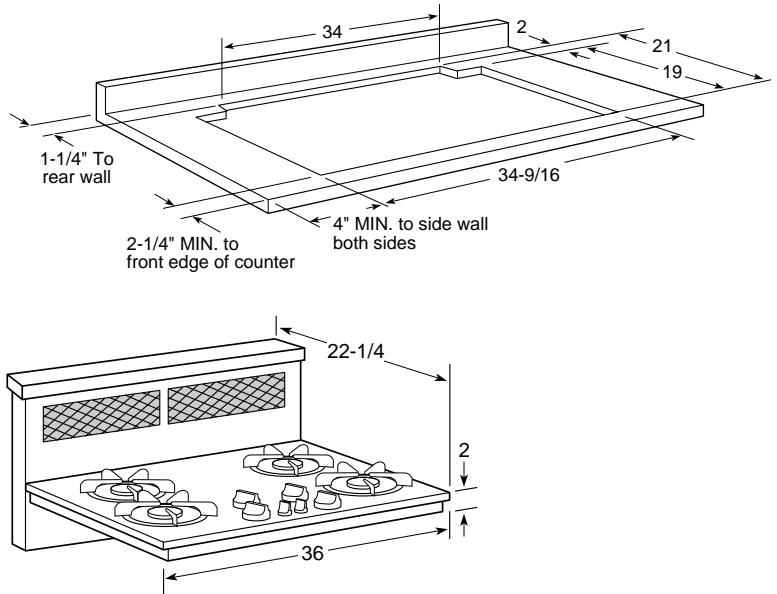
JXWK = Wok accessory holder sits on top of maximum burner grate to hold a **round-bottom** wok.

Downdraft Gas Cooktops

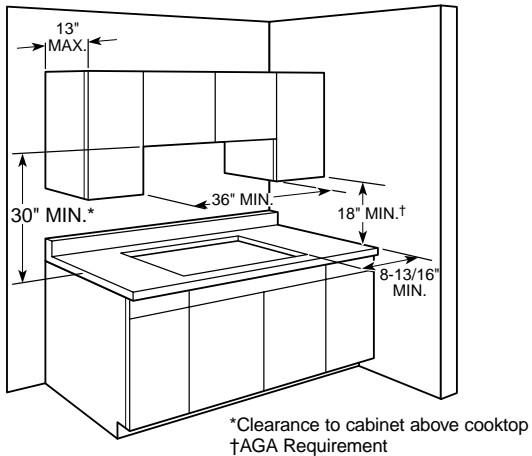
GE Profile™	
JGP656WB JGP656BB	
Features	
Cooktop burners	Sealed
Electronic pilotless ignition	●
Tempered glass cooktop	White Black
Burner grates	2
Downdraft exhaust (CFM)	500
Optional blower mount capabilities	●
3-1/4" x 10" rectangular duct	●
Upfront variable-speed fan control	●
Removable grease filters	●
Appearance	
Color appearance*	WW BB
Upfront controls	●
Telescopic cover plate	White Black
Telescopic snorkel assembly	Black
Weights & Dimensions	
Cooktop width (in inches)	36
Overall dimensions (WxD in inches)	36 x 22-1/4
Approximate shipping weight (lbs.)	48
Power/Ratings	
Gas cooktop electrical rating	120V, 60Hz, 15A
Burners (000's/BTU's): Natural Gas/LP Gas	(1) 12.0/11.0 (2) 9.5/9.5 (1) 5.0/5.0

*WW = White on white, BB = Black on black.
IMPORTANT: Cooktop is shipped separately. JXBA56BB or JXBA56WW (motor, blower and downdraft housing assembly required. Must be ordered with cooktop.)
JXBC57 Outdoor Cover. Optional accessory may be ordered for installation of motor and blower assembly on outside wall.
JXR57 Remote Installation Kit. Optional accessories may be ordered for installation below the floor.
 A minimum 36" side-to-side undercounter clearance is required for ease of installation. Unit is furnished with a 4-foot, 110V electric cord.

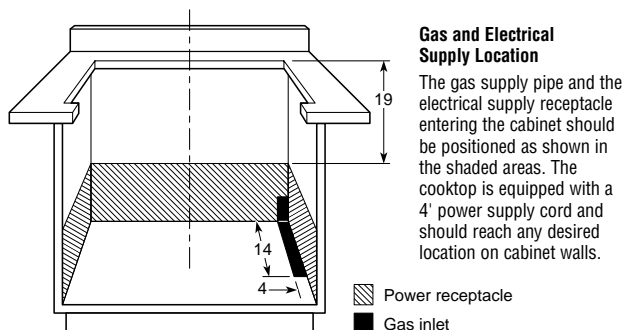
Downdraft Gas Cooktops Dimensions (in inches)



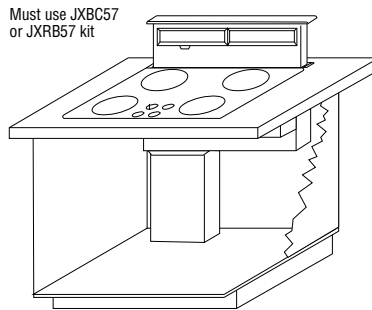
Cabinet Requirements Dimensions (in inches)



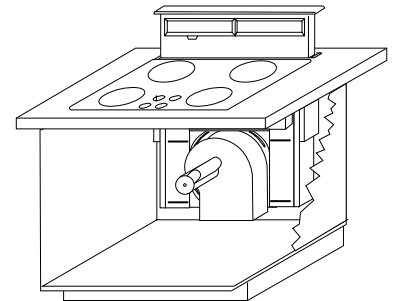
Gas and Electrical Supply Location Dimensions (in inches)



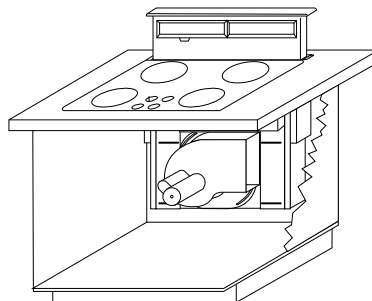
Venting Options (Through the Floor)



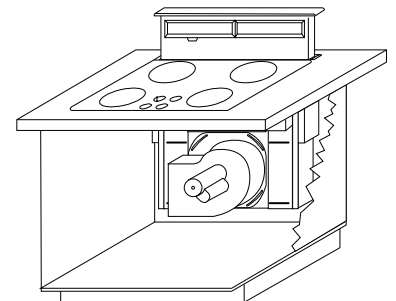
In Cabinet Discharge (Down)



In Cabinet Discharge (Right)



In Cabinet Discharge (Left)



Installation Information: Before installing, consult installation instructions (Pub. No. 31-0840) packed with product for current dimensional data.

Select-Top™ Modular Downdraft Cooktops and Patio Grill

	GE Profile™	GE	
	Dual Modular	Single Modular	Patio Grill
	JP389WV JP389BV	JP385WV JP385BV JP385CV	JP380BV
Features			
Configuration	Dual Modular	Single Modular	Outdoor Grill
Cooktop finish	White Porc.-Enam. Black Porc.-Enam.	White Porc.-Enam. Black Porc.-Enam. Black Brushed-Chrome	Black Porcelain-Enameled
Infinite heat controls	Rotary	Rotary	Rotary
Heating element "ON" indicator light	●	●	●
Downdraft exhaust (CFM)	400	400	375
Single speed downdraft vent fan		●	●
Three-speed downdraft vent fan	●		
Fixed plug-in Calrod® elements		One 6", One 8" Chrome	Fixed Grill (each side)
Removable one-piece drip bowls/trim rings		Black Porc.-Enam. Chrome	Chrome
Appearance			
Color appearance*	WW BB	WW BB BC	BB
Weights & Dimensions			
Cooktop width (in inches)	30	30	30
Approx. ship. wt. (lbs.)	72	75	68
Power/Ratings			
Amps @ 240V	40	40	40
KW rating @ 240V	8.0	8.0	5.6
Accessories			
Ribbon heating elements (one 8" and one 6")	JXDR50WV JXDR50VB	JXDR50WV JXDR50VB	
Calrod® heating elements (one 6", one 8" element with removable one-piece bowls)	JXDC44RWH JXDC43RBL	JXDC44RWH JXDC43RBL JXDC41NBC	
Grill Module†	JXDL44N	JXDL44N	
Griddle Accessory	JXDD44R	JXDD44R	
Grill Cover	JXDM3 JXDM2	JXDM3 JXDM2	JXDM4

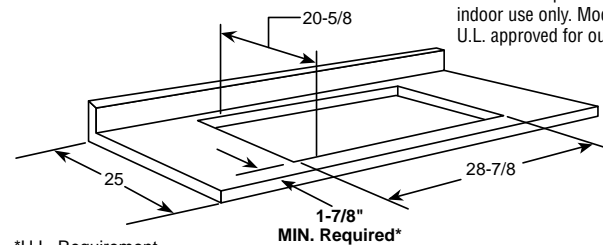
*WW = White on white, BB = Black on black, BC = Brushed-Chrome.

†Grill Module includes Calrod® heating element, one-piece Grill Grate, and porcelain reflector pan.

Cooktop Options

GE lets you customize your cooktop with flexible modules to suit your taste. These optional versatile modules—*Grill*, *Calrod*, *Ribbon*, *Griddle Opening Accessory* and *Grill Cover*—are available at additional cost. Simply plug the modules you want into either side of the cooktop (single modular cooktops accept modules on left side only) and unplug them for easy cleaning and storage.

Cutout Dimensions (in inches)



*U.L. Requirement.

Note: A 6" minimum spacing to adjacent side wall is required

Wall Installation

Wall installations require 25" countertop depth. When cabinet is flush against the wall, the fan housing can be rotated to the horizontal position for direct venting through rear wall. Make a countertop cutout that is centered in the range cabinet according to unit dimensions and installation type. Duct hole is positioned in back of cabinet for through-the-wall ducting.

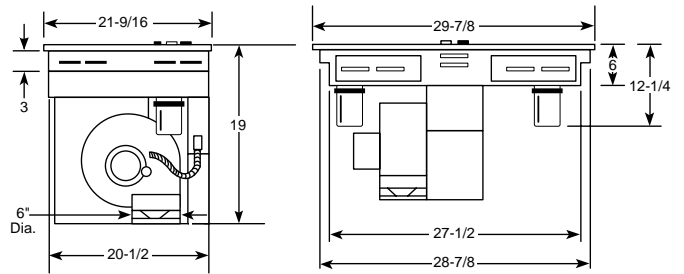
Peninsula or Island Installation

For peninsula/islands a minimum 26" countertop depth is suggested. Blower should be in vertical position. Island or peninsula cabinets may require adjustment in cutout depth and/or location within the width dimensions. Duct hole is positioned in bottom of cabinet for island or peninsula installation.

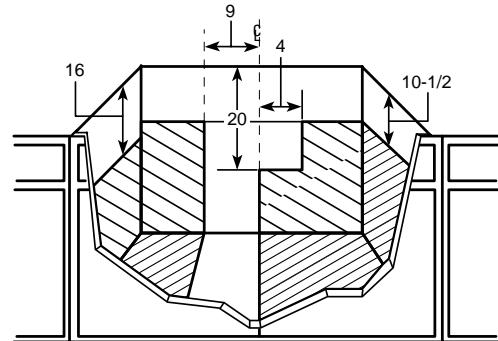
Slab Installation

For peninsula or island installation and rear wall ducting, **PVC duct or locally approved piping should be used if installing under a poured concrete slab.**

Built-In Downdraft Cooktops Dimensions (in inches)

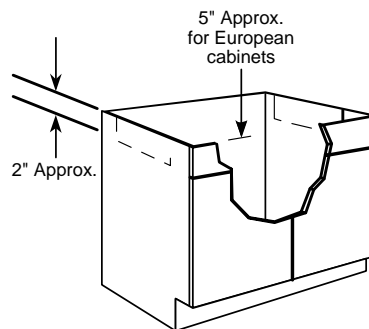


Cabinet Dimensions (in inches)



Receptacle Location

Install an approved junction box within shaded area shown in diagram. Junction box must be at least 10-1/2" below top of cabinet.



Preparing the Cabinet for Installation

In some cabinets, the sides may need to be scooped or cut down 2" as shown (right) and the corner braces removed in order to accommodate the cooktop.

Installation Information: Before installing, consult installation instructions [Pub. No. 49-8672 (JP389/385); Pub. No. 49-8670 (JP380)] packed with product for current dimensional data.

Grill Module, JXDL44N

Includes front/rear controlled heating element, one-piece grill grate, and porcelain-enameled reflector pan.

Grill Cover (For model JP380 patio grill only.)

Covers grill area when not in use
JXDM3—White on white, JXDM2—Black on black, JXDM4—Black on black

Griddle Accessory, JXDD44R (Use with optional Grill Module.)

Place over heating element and reflector pan from optional grill module. Griddle accessory has a non-stick coating and is self-draining.

Ribbon Modules

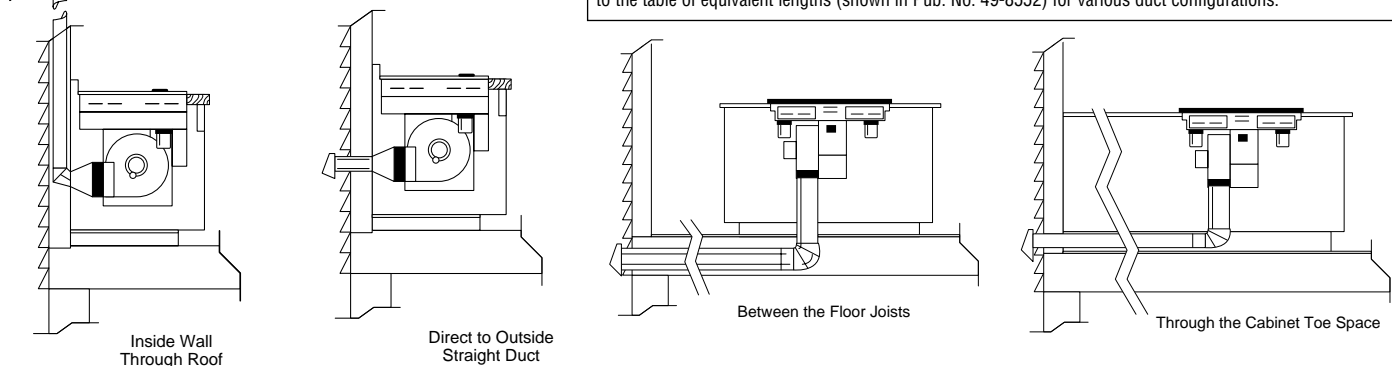
Patterned glass top with one 8" and one 6" ribbon heating element
JXDR50WV—White on white, JXDR50VB—Black on black,

Calrod® Modules

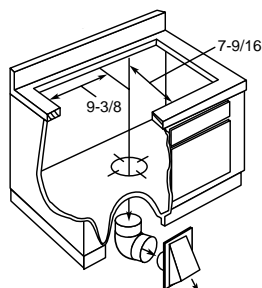
One 8" and one 6" plug-in heating element with one-piece bowls
JXDC41NBC—Brushed-chrome, JXDC43RBL—Black porcelain-enameled,
JXDC44RWH—White porcelain-enameled

Venting Options

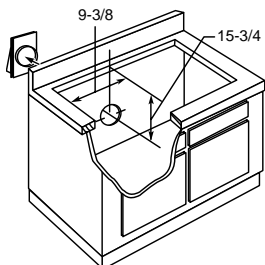
Note: Ductwork must be vented to outside. Do not vent into a wall, ceiling, crawlspace, attic or any concealed space. Always use an appropriate roof or wall cap with damper. **Laundry-type wall caps should never be used.** For maximum efficiency use the shortest and straightest duct run possible, with as few fittings as possible. For satisfactory performance the duct run should not exceed 100 feet equivalent length. Refer to the table of equivalent lengths (shown in Pub. No. 49-8552) for various duct configurations.



Downward Venting (in inches)



Rear Wall Venting (in inches)



Installing the Ductwork

Use minimum 26-gauge galvanized or 24-gauge aluminum duct in 6" round or 3-1/4" x 10" size, or combination of both. **PVC duct or locally approved piping should be used if installing under a poured concrete slab.**

Built-In Downdraft Gas Modular Cooktops

Features	GE Profile™	
	JGP389WEV* JGP389BEV*	JGP18BEV**
Configuration	Single Modular	Single Modular
Accepts modules	Left Side	•
Fixed gas cooktop burners (right side)	Standard	•
Electronic pilotless ignition	•	•
Downdraft vent fan	•	•
Downdraft exhaust (CFM)	375	375
Appearance		
Color appearance	White on white Black on black	Black on black
Up-front controls	•	•
Weight & Dimensions		
Cooktop width (in inches)	30	18
Overall dimensions (W x D in inches)	29-7/8 x 21-1/2	18-1/16 x 21-1/2
Approximate shipping wt. (lbs.)	58	45
Power/Ratings		
Gas cooktop electrical rating	120V, 60Hz, 15A	
BTU's (000's)	Right side (burners)	10.0/9.0
Nat/LP	Grill Unit	8.0/8.0

*Models JGP389WEV and JGP389BEV are shipped with fixed standard gas burners, right side. Left side accepts optional modules that must be ordered and are available at additional cost.
**Model JGP18BEV is shipped without modules. Optional modules must be ordered and are available at additional cost.

Optional Modules (Available at additional cost)

- Two-Burner Gas Module (standard burners)—
- JXGB89W—White on white
- JXGB89B—Black on black
- Gas Grill Module—JXGG89
- Griddle—JXGL89 (use with optional Grill module)
- Grill Cover—JXGC89W—White on white
- JXGC89B—Black on black

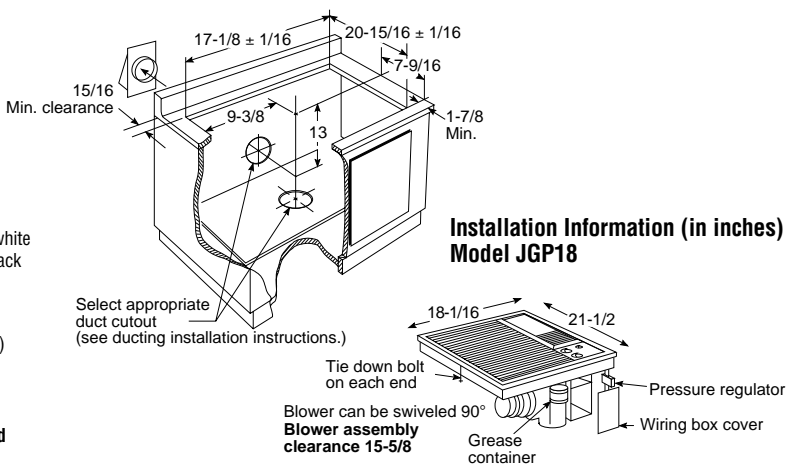
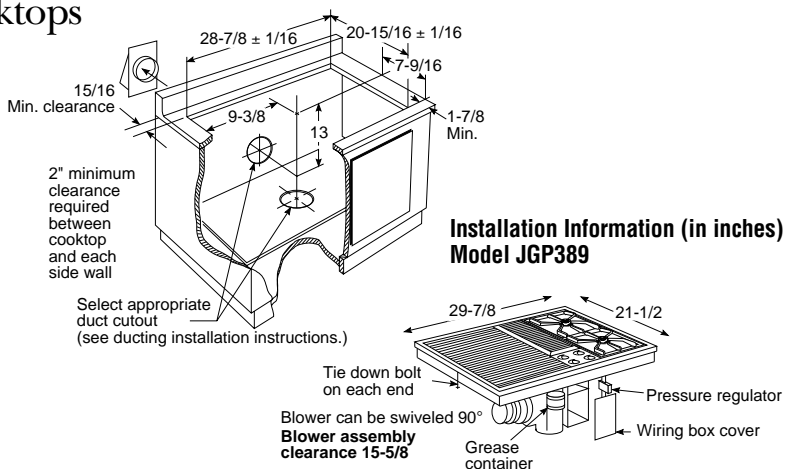


Installation Information:

Before installing, consult installation instructions (Pub. No. 49-8585) packed with product for current dimensional data.

Slab Installation

For peninsula or island installation and rear wall ducting, **PVC duct or locally approved piping should be used if installing under a poured concrete slab.**

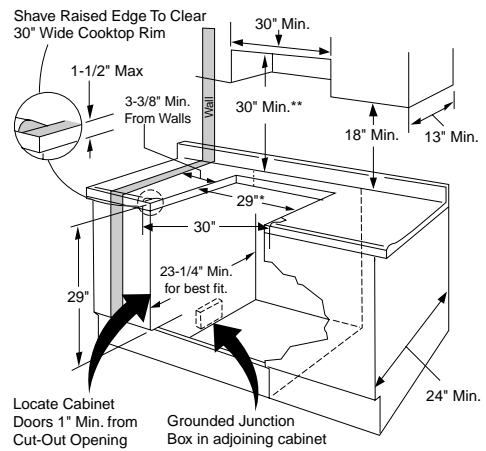
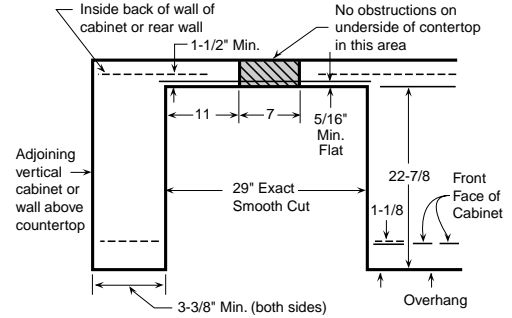
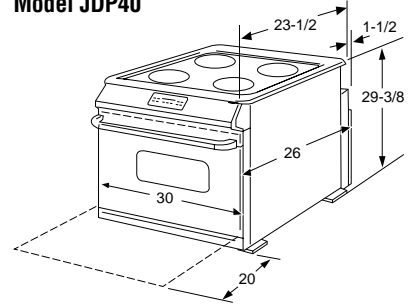


30" Drop-In Electric Ranges

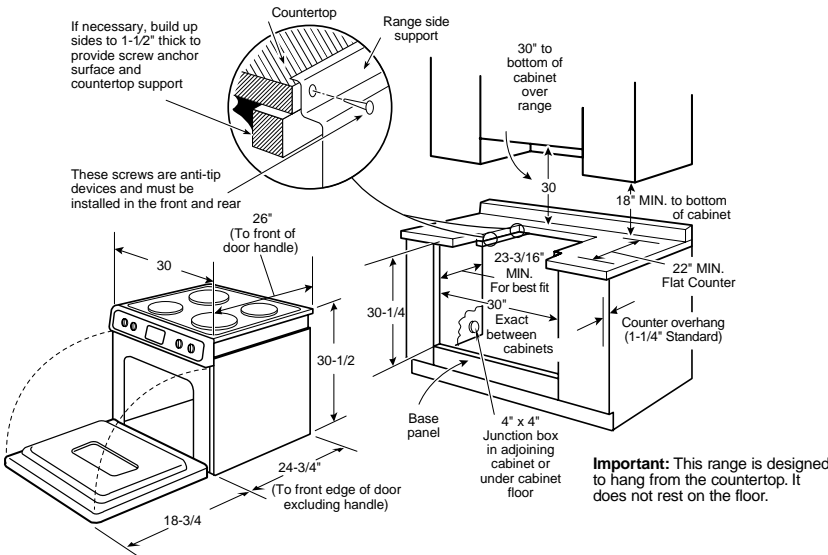
Features	GE Profile™	GE		
	JDP40WB JDP40CB JDP40BB	JDP39WW JDP39BW	JDP36BW	JDS26BW
Self-clean oven w/Delay Clean option	●	●	●	Standard Clean
Variable cleaning time	●	●	●	
Automatic self-clean oven door lock	●	●	●	
Oven shelves	2	2	2	2
Lift-up overhanging cooktop	Patterned White Patterned Bisque Patterned Black	White Porc.-Enam. Black Porc.-Enam.	White or Almond Porc.-Enam.	White or Almond Porc.-Enam.
Dual 6/9" heating element	1 Ribbon (2500W)			
9" heating element	1 Ribbon (2100W)			
8" heating elements		2 Plug-in	2 Plug-in	2 Plug-in
6" heating elements	2 Ribbon (1500W)	2 Plug-in	2 Plug-in	2 Plug-in
Infinite heat controls		●	●	●
Removable one-piece drip bowls		Chrome Black Porc.-Enam.	Chrome	Chrome
SmartSet Controls	●	●	●	●
Temperature display	●	●	●	●
Start pad	●	●	●	●
Delay Bake option w/Cook & Hold	●	●	●	●
C° or F° programmable	●	●	●	●
Audible preheat signal	●	●	●	●
Auto oven shut-off w/override	●	●	●	●
Electronic clock and kitchen timer	●	●	●	●
Control lock capability	●	●	●	●
Hot surface indicator lights	4			
Heating element "ON" indicator light	●	●	●	●
Broiler pan with grid	●	●	●	●
Appearance				
Color appearance*	WW CC BB	WW BB	WH/AD	WH/AD
Frameless oven door	White Glass Bisque Glass Black Glass	White Glass Black Glass	Black Glass	Black Glass
Oven door with window	Big View	●	●	●
Lift-off oven door	●	●	●	●
Designer-style handle	Sure Grip	●	●	●
Weights & Dimensions				
Overall oven interior dimensions (WxHxD in inches)	← 22-3/4 x 15-3/4 x 17 →			
Approx. shipping weight (lbs.)	146	144	144	128
Power/Ratings				
12KW rating @ 240V	10.6	11.6	11.6	11.6
208V	8.0	8.7	8.7	8.7
Amps @ 240V	40	40	40	40
208V	40	40	40	40

*WW = White on white, CC = Bisque, BB = Black on black, WH = White, AD = Almond.

30" Drop-In Range Dimensions (in inches) Model JDP40



30" Drop-In Range Dimensions (in inches) Models JDP39/36 and JDS26



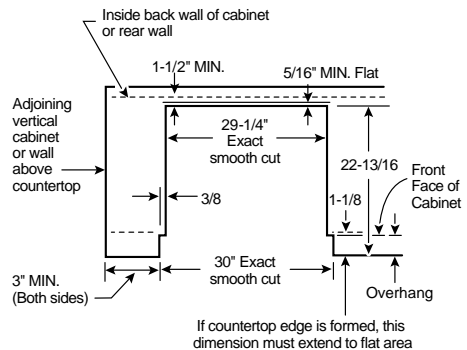
Note: Cabinets installed adjacent to drop-in electric ranges must have an adhesion spec of at least 194° F temperature rating.



All GE ranges are equipped with an Anti-Tip device. The installation of this device is an important, required step in the installation of the range.

See page 150 for warranty information.

Countertop Cutout—Top View Models JDP39/36 and JDS26



Installation Information: Before installing, consult installation instructions (Pub. No. 31-10129) packed with product for current dimensional data.

Note: 30" Drop-In Ranges conform to requirements for 3" minimum spacing between range and adjacent side walls below countertop.

IMPORTANT: 30" DROP-IN RANGES ARE DESIGNED TO HANG FROM THE COUNTERTOP. IT DOES NOT REST ON THE FLOOR. FOR INSTALLATION ALTERNATIVES, REFER TO INSTALLATION INSTRUCTIONS PACKED WITH PRODUCT.

30" Slide-In Electric Ranges

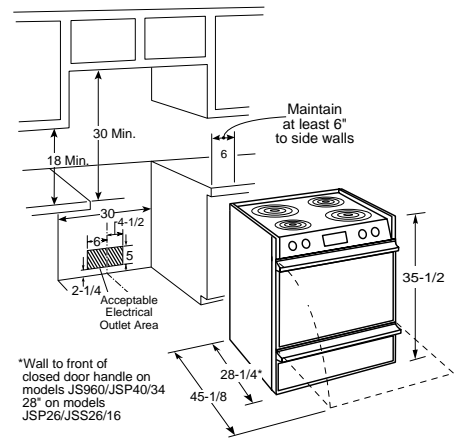
	GE Profile Performance™	GE Profile™	GE			
	JS960TB JS960WB JS960CB JS960BB	JSP40WW JSP40AW JSP40BW	JSP34WW JSP34AW JSP34BW	JSP26BW	JSS26BW	JSS16PW
Features						
Self-clean oven with Delay Clean option	•	•	•	•	Standard Clean	Standard Clean
Variable cleaning time	•	•	•	•		
Automatic self-clean oven door lock	•	•	•	•		
Oven shelves	3	2	2	2	2	2
Glass-ceramic cooktop	True White Patterned White Patterned Bisque Patterned Black	Patterned White Patterned Almond Patterned Black	White Almond Black	CM* Porc.-Enam.	Black Porc.-Enam.	CM* Porc.-Enam.
Lift-up porcelain-enamelled cooktop			Chrome Porc.-Enam.	Porc.-Enam.	Chrome	Chrome
Overhanging cooktop	•	•	•	•	•	•
Removable one-piece drip bowls						
Dual 6 7/9" heating element	1 Ribbon (2500W)					
8" heating elements		2 Plug-In	2 Plug-In	2 Plug-In	2 Plug-In	2 Plug-In
7" heating elements	2 Ribbon (1800W)					
Bridge element	1 (800W)					
6" heating elements	1 Ribbon (1500W)	2 Plug-In	2 Plug-In	2 Plug-In	2 Plug-In	2 Plug-In
Infinite heat controls	•	•	•	•	•	•
Convection Bake	•					
Convection Roast	•					
SmartSet Controls	•	•	•	•		
Temperature display	•	•	•	•		
Start pad	•	•	•	•		
Delay Bake option w/Cook & Hold	•	•	•	•		
C° or F° programmable	•	•	•	•		
Audible preheat signal	•	•	•	•		
Auto oven shut-off w/override	•	•	•	•		
Control lock capability	•	•	•	•		
Electronic clock/kitchen timer	•	•	•	•	•	•
Hot surface indicator lights	•	4				
Heating element "ON" indicator light	•		•	•	•	•
Interior oven light	•	•	•	•	•	•
Storage drawer	White White Bisque Black	White Almond Black	White Almond Black	CM*	Black	CM*
Broiler pan with grid		•	•	•	•	•
Appearance						
Color appearance*	WW CC BB	WW AA BB	WW AA BB	WH/AD	BB	WH/AD
Frameless glass oven door	White White Bisque Black	White Almond Black	White Almond Black	CM*	Black	Painted
Oven door with window	•	•	•	•	•	•
Lift-off oven door	•	•	•	•	•	•
Designer-style handle	Sure Grip	Sure Grip	•	•	•	Visor
Weights & Dimensions						
Overall oven interior dimensions (WxHxD in inches)	← 22-3/4 x 15-3/4 x 17 →					
Approx. shipping weight (lbs.)	185	182	175	175	160	160
Power/Ratings						
KW rating @ 240V	12.5	11.4	10.8	10.8	11.6	11.6
208V	9.4	8.6	8.1	8.1	8.7	8.7
Amps @ 240V	40	40	40	40	40	40
208V	40	40	40	40	40	40
Accessories						
Optional backguard (available at additional cost)	JXS31 JXS35 JXS34	JXS31 JXS33 JXS34	JXS31 JXS33 JXS34	JXS33/31	JXS34	JXS33/31

*WW = White on white, CC = Bisque, AA = Almond on almond, BB = Black on black, WH = White, AD = Almond, CM = Color-Matched indicates color of the oven door matches range cooktop and drawer face (either white or almond).

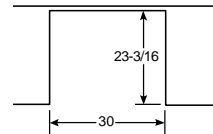


All GE ranges are equipped with an Anti-Tip device. The installation of this device is an important, required step in the installation of the range.

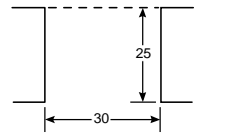
30" Slide-In Range Dimensions (in inches)



If you are NOT using the optional Filler or Backguard:



If you are using the optional Filler or Backguard:



Models shown at left are shipped with rear filler strip kit.

Optional Kits for Slide-In Electric Ranges
(Available At Additional Cost)

Rear Filler Strip Kit

JXS28—Rear Filler Strip Kit (Brushed-chrome)

Accessory Backguards

- JXS31—White Accessory Backguard
- JXS32—Brushed-Chrome Accessory Backguard
- JXS33—Almond Accessory Backguard
- JXS34—Black Accessory Backguard
- JXS35—Bisque Accessory Backguard

Endcap Kit

JXS40—Endcap kit to accommodate replacement where countertop may already be notched.

Lower/Side Trim Kits

- JXS52BB—Lower Trim Kit (Black)*
- JXS53WW—Lower Trim Kit (White)*
- JXS54AA—Lower Trim Kit (Almond)*
- JXS55CC—Lower Trim Kit (Bisque)*
- Pub. No. 3-A040—Vertical Side Trim Kit (Brushed-Chrome)

*For countertop height greater than 37", it is recommended to use a lower trim kit.

Note: All 30" Slide-In Ranges conform to U.L. requirements for 0" spacing from range to adjacent walls below countertop. To reduce possibility of scorching of the side wall adjacent to the heating elements, it is recommended a minimum 6" spacing from adjacent side walls be allowed for possible extended high-heat, no-load heating element operation.

Receptacle Locations: For all 30" Slide-In Ranges locally approved flexible service cord or conduit must be used because terminals are not accessible after range installation. See shaded area in drawing for location of electrical outlet box. Recommended outlet locations allow range to be installed directly against rear wall.

Installation Information: Before installing, consult installation instructions (Pub. No. 31-10070) packed with product for current dimensional data.

Note: Cabinets installed adjacent to slide-in electric ranges must have an adhesion spec of at least 194° F temperature rating.

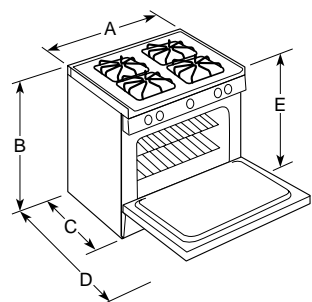
Note: Range may be placed with 0" clearance (flush) at the back wall and side walls if the range side trims extend beyond the cabinet fronts at least 1/4". (Self-clean models only)

30" Slide-In Gas Ranges

Features	GE Profile™	GE	
	JGSP44WEY JGSP44AEY JGSP44BEY	JGSP23WEY JGSP23BEY	JGSS05BEA
Self-Clean oven with Delay Clean option	●	●	Extra-Large Standard Clean
Variable cleaning time	●	●	
Automatic self-clean oven door lock	●	●	
Cooktop burners	Sealed	Sealed	Standard
Maximum output burner	●	●	
Standard simmer burner	●	●	
SmartSet Controls	●	●	
Temperature display	●	●	
Start pad	●	●	
Delay Bake option with Cook & Hold	●	●	
C° or F° programmable	●	●	
Audible preheat signal	●	●	
Auto oven shut-off with override	●	●	
Electronic clock and kitchen timer	●	●	
Control lock capability	●	●	
Cooktop	White Glass Almond Glass Black Glass	White Porcelain-Enameled Black Porcelain-Enameled	Black Porcelain-Enameled
Lift-up cooktop			●
One-piece drip pans	Porcelain-Enameled	Porcelain-Enameled	
Removable cooktop grates	Deluxe Cast	Standard Cast	Standard Porcelain Steel
Ignition system	Electronic	Electronic	Electronic
Oven racks	2	2	2
Broiler pan and grid	●	●	Extra-large
Interior oven light	●	●	●
Storage drawer	●	●	●
In-oven broiling	●	●	●
Slide-out broiler drawer			●
Appearance			
Color appearance*	WW AA BB	WW BB	BB
Frameless glass oven door	White Almond Black	White Black	Black
Oven door with window	●	●	●
Lift-off oven door	●	●	●
Designer-style handle	Sure Grip	●	●
Weights & Dimensions			
Overall oven interior dimensions (WxHxD in inches)	22-3/4 x 13 x 17		24 x 17 x 19
Approx. shipping wt. (lbs.)	197	192	165
Power/Ratings			
Gas range electrical rating	120V, 60Hz, 5A		
Top burners (000's BTU's) Nat/LP	(1) 12.0/9.4 (2) 9.5/7.0 (1) 5.0/4.0	(3) 9.5/7.0 (1) 5.0/4.0	(4) 9.0/8.0
Oven/broiler burners (000's BTU's) Nat/LP	16.0/16.0	16.0/16.0	16.0/16.0
Accessories			
Optional backguard (available at additional cost)	JXS31 JXS33 JXS34	JXS31 JXS34	

*WW = White on white, BB = Black on black, AA = Almond on almond.
Universal Orifices for Natural or LP Gas. Factory set for Natural Gas. A set of LP orifices is included with each range for LP conversion.

30" Slide-In Gas Ranges Dimensions (in inches) Models JGSP44 and JGSP23



Dimensions (in inches)

Model	A	B	C*	D	E
JGSP44WEY	30	36-1/4	29-1/2	45-13/16	35-7/8 to 38
JGSP44AEY	30	36-1/4	29-1/2	45-13/16	35-7/8 to 38
JGSP44BEY	30	36-1/4	29-1/2	45-13/16	35-7/8 to 38
JGSP23WEY	30	36-1/4	28-7/8	45-1/8	35-7/8 to 38
JGSP23BEY	30	36-1/4	28-7/8	45-1/8	35-7/8 to 38

*Depth including handle:
26-7/8"—Wall to front of closed oven door
26-1/2"—Depth to front top edge of cooktop

Installation Information: Before installing, consult installation instructions [Pub. No. 31-10181 (JGSP44AEY, JGSP44WEY, JGSP44BEY, JGSP23WEY and JGSP23BEY) packed with product for current dimensional data.

Rear Filler Strip Kits

Models JGSP44 and JGSP23 are shipped with required "vented" rear filler strip

Optional Kits for Slide-In Gas Ranges:

(Available at additional cost on all models except JGSS05BEA)

Lower/Side Trim Kits

JXS52BB—Lower Trim Kit (Black)
JXS53WW—Lower Trim Kit (White)
JXS54AA—Lower Trim Kit (Almond)
Pub. No. 3-A040 Vertical Side Trim Kit (Brushed-Chrome)

Accessory Backguards

JXS31—White Accessory Backguard
JXS32—Brushed-Chrome Accessory Backguard
JXS33—Almond Accessory Backguard
JXS34—Black Accessory Backguard

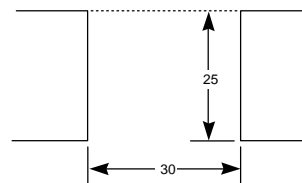
Endcap Kit

JXS40—Endcap kit to accommodate replacement where countertop may already be notched.

Optional Gas Range Wok Accessory (Available at additional cost)

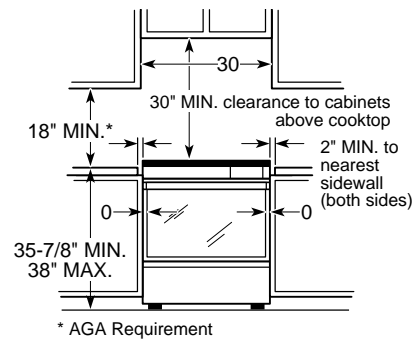
JXWK = Wok accessory holder sits on top of maximum burner grate to hold a round-bottom wok.

Counter Cutout Dimensions for Models JGSP44 and JGSP23 (in inches)



You must use the rear filler strip kit shipped with the range or the optional accessory backguard (JXS31, JXS32, JXS33, JXS34) when installing these ranges.

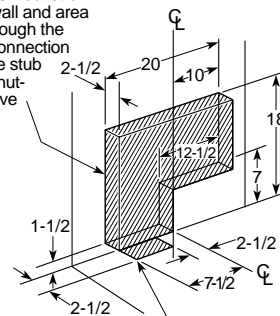
Note: Cabinets installed adjacent to slide-in ranges must have an adhesion spec of at least 194° F temperature rating.



* AGA Requirement

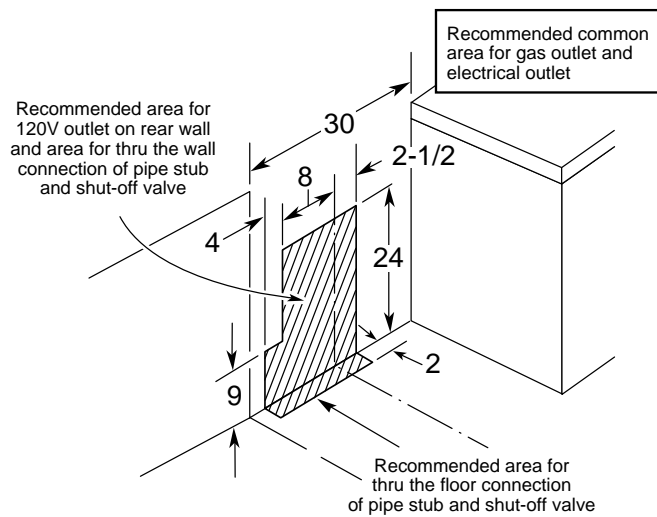
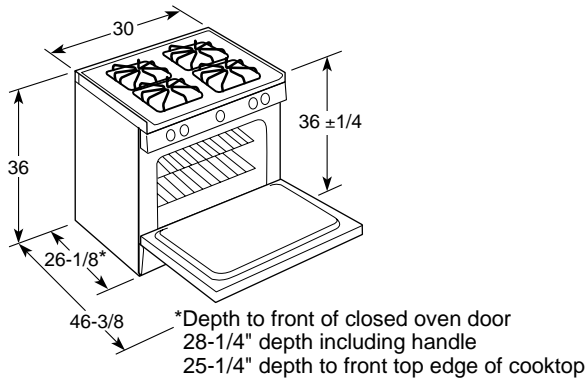
Note: Models JGSP44AEY, JGSP44WEY, JGSP44BEY, JGSP23WEY and JGSP23BEY are shipped with special "vented" rear filler strip. Post form countertops may not be used when installing this range. The filler strip (provided) or optional backguard kit is required for installation.

Recommended area for 120V outlet on rear wall and area for through the wall connection of pipe stub and shut-off valve



Recommended area for through the floor connection of pipe stub and shut-off valve

30" Slide-In Gas Range Dimensions (in inches) Model JGSS05



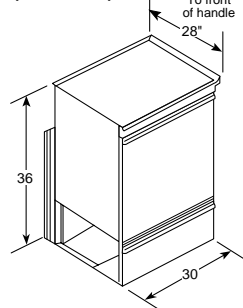
Installation Information: Before installing, consult installation instructions [Pub. No. 49-8751 (JGSS05)] packed with product for current dimensional data.

30" Slide-In Downdraft Ranges

	GE
	JSP69WV JSP69BV
Features	
Self-cleaning oven	•
Automatic self-clean oven door lock	•
Oven racks	2
Porcelain-enameled modular cooktop	•
Electronic digital clock and timer	•
Delay Bake option	•
Preheat signal	•
Electronic oven control	•
Downdraft venting	•
Two-speed exhaust fan	•
Interior oven light	•
Storage drawer (1/2 depth)	•
Broiler pan with grid	•
Appearance	
Color appearance*	— WW — — BB —
Glass oven door	•
Oven door with window	•
Designer-style handle	•
Weight & Dimensions	
Overall oven interior dimensions (WxHxD in inches)	23 x 16 x 17
Approximate shipping wt. (lbs.)	171
Power/Ratings	
KW rating @ 240V	14.0
208V	Not Available
Amps @ 240V	40
208V	—

*WW = White on white, BB = Black on black.
Note: (Shipped with grill module) Optional plug-in modules available.

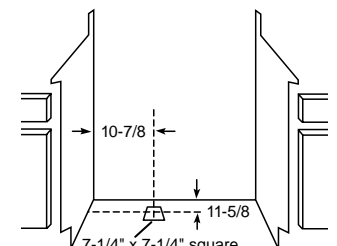
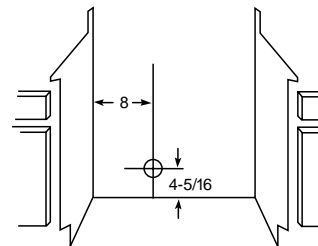
Range Dimensions (in inches)



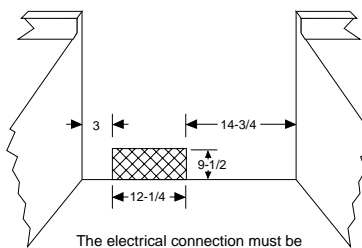
Downdraft Installation Dimensions (in inches)

Clearance for ducting into wall

Cutout location for ducting into floor

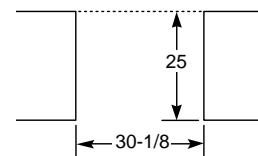


Receptacle Location (in inches)



Receptacle Locations:
For all 30" Slide-In Ranges locally approved flexible service cord or conduit must be used because terminals are not accessible after range installation. See shaded area in drawing for location of electrical outlet box. Recommended outlet locations allow range to be installed directly against rear wall.

Counter Cutout Dimensions (in inches)



Note: 30" ranges conform to U.L. requirements for 0" spacing from walls below countertops. However some kitchen cabinet finishes can be damaged by heat from the heating elements. It is recommended that a clearance of at least 1-1/4" be maintained to adjacent walls. Where varnished wood or plastic film finishes are used, a minimum clearance of 6" should be maintained.

Installation Information: Before installing, consult installation instructions [Pub. No. 49-8643 (JSP69WV/69BV)] packed with product for current dimensional data.

Optional Modules (Available at additional cost)

Radiant Module—JXGR63B
Griddle Accessory—JXGL90
Grill Module—JXGG50
Coil Modules
JXGC53W—White on white
JXGC53B—Black on black

Spacemaker™ 27" Drop-In Electric Ranges

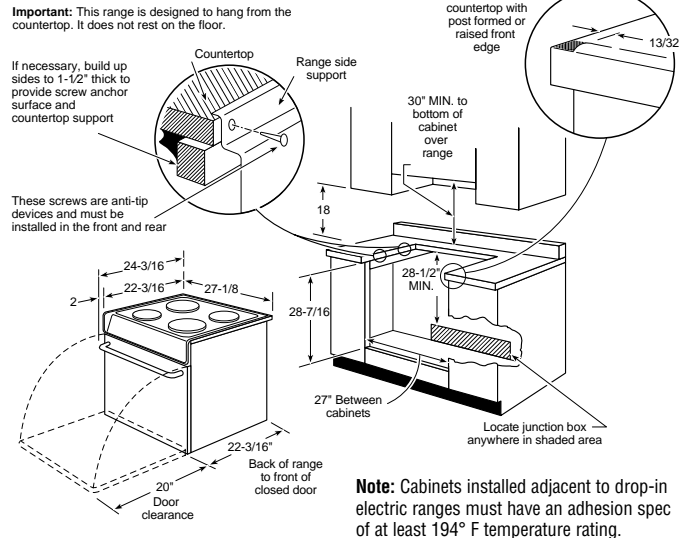
Features	GE Profile™		
	JMP31WA	JMP28BA	JMS08BA
Oven cleaning	Self-Clean	Self-Clean	Standard Clean
Variable cleaning time	●	●	
Automatic self-clean oven door lock	●	●	
Oven shelves	2	2	2
Lift-up overhanging cooktop	White Porcelain-Enameled	White or Almond Porcelain-Enameled	White or Almond Porcelain-Enameled
8" heating elements	1	1	1
6" heating elements	3	3	3
Plug-in Calrod® heating elements	●	●	●
Infinite heat controls	●	●	●
Removable one-piece drip bowls	Chrome	Chrome	Chrome
Electronic clock and kitchen timer	●	●	●
Delay Bake option	●	●	●
Auto oven shut-off	●	●	●
Electronic oven control	●	●	●
Heating element "ON" indicator light	●	●	●
Interior oven light	●	●	●
Broiler pan with grid	●	●	●
Appearance			
Color appearance*	WW	WH/AD	WH/AD
Frameless oven door	White Glass	Black Glass	Black Glass
Oven door with window	Big View	Big View	Big View
Lift-off oven door	●	●	●
Designer-style handle	Sure Grip	●	●
Weights & Dimensions			
Overall oven interior dimensions (WxHxD in inches)	19 x 15 x 18		
Approx. shipping weight (lbs.)	119	119	119
Power/Ratings			
KW rating @ 240V	9.8	9.8	10.1
208V	7.3	7.3	7.6
Amps @ 240V	40	40	40
208V	40	40	40

*WW = White on white, WH = White, AD = Almond.
Optional backguard in white, black or almond is available at additional cost for all models.
JX27RWH = White, JX27RBK = Black or JX27RAD = Almond.

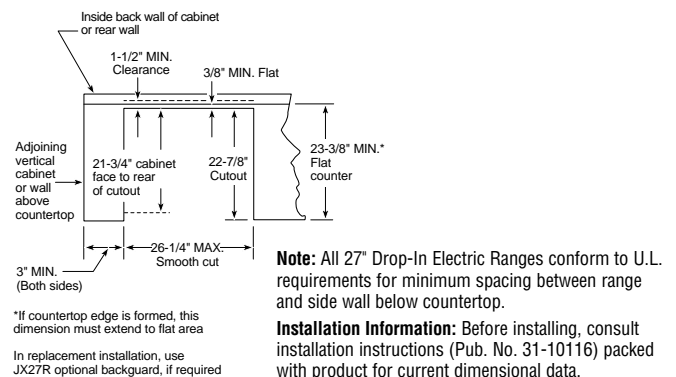
Optional Backguard

(Available at additional cost)
JX27RBK = Black
JX27RWH = White
JX27RAD = Almond

27" Drop-In Range Dimensions (in inches)



Countertop Cutout—Top View



Installation/Specifications for 30" Free-Standing CleanDesign Electric Ranges

Cabinet Dimensions (in inches)

Model	A	B	C*	D
JB970SB	30	48-1/4	26-5/8	45-1/8
JB960TB/WB/CB/AB/BB	29-7/8	46-1/2	25-3/8	47-5/8
JB940WB/CB/AB/BB	29-7/8	46-1/2	25-3/8	47-5/8
JBP85WB/CB/BB	29-7/8	46-1/2	25-3/8	47-5/8
JBP79WB/CB/AB/BB	29-7/8	46-1/2	25-3/8	47-5/8
JBP78WB/AB/BB	29-7/8	44-7/16	25-3/8	47-5/8
JBP66WB/AB/BB	29-7/8	44-7/16	25-3/8	47-5/8
JBP65WC	29-7/8	44-7/16	25-3/8	47-5/8
JBP64WB/BB	29-7/8	44-7/16	25-3/8	47-5/8

*Dimension from wall to front of closed oven door handle is 28-7/8" on model JB970; 27-3/8" on models JB960/940, JBP85/79; and 27-3/4" on models JBP78/66/65/64.

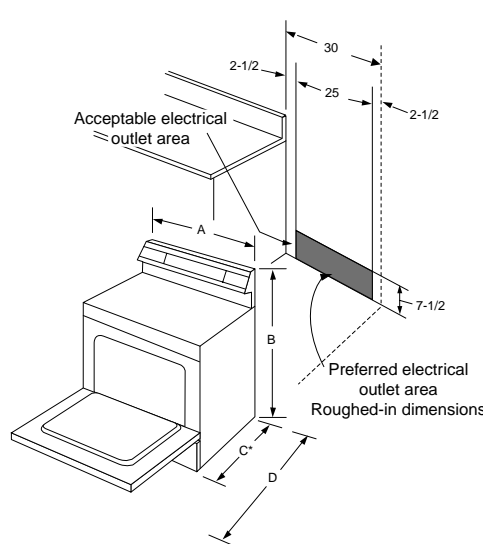
Note: Conforms to U.L. requirements for 0" spacing for adjacent walls below countertops. To reduce possibility of scorching of walls, it is recommended a minimum of 1-1/2" spacing be allowed from adjacent side walls to allow for possible extended, high-heat, no-load heating element operation.

Installation Information:

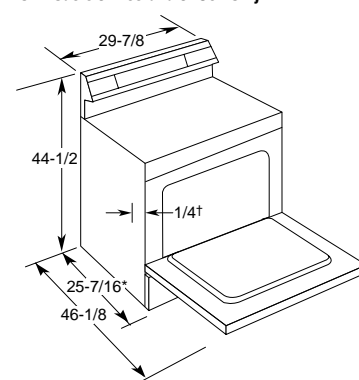
Before installing, consult installation instructions packed with range for current dimensional data.

Receptacle Locations: For 30" Free-Standing Ranges locally approved flexible service cord or conduit must be used because terminals are not accessible after range installation. See shaded area drawing for location of electrical outlet box. Recommended outlet locations allow range to be installed directly against wall.

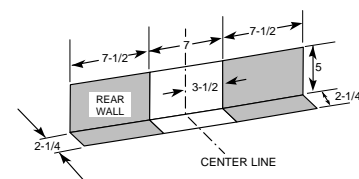
Dimensions and Installation Information (in inches)



Dimensions and Installation Information (in inches) for Models JBP63 and JBS61 only



†The range may be placed with a 0" clearance (flush) at the back wall and side walls if the range side trims extend beyond the cabinet fronts at least 1/4". Self-clean models only.
*Dimension from wall to front of closed oven door handle is 27-1/2".



30" Free-Standing CleanDesign Electric Ranges

	GE Profile Performance Series™			GE Profile™		GE					
	JB970SB	JB960TB JB960WB JB960CB JB960AB JB960BB	JB940WB JB940CB JB940AB JB940BB	JB985WB JB985CB JB985BB	JBP79WB JBP79CB JBP79AB JBP79BB	JBP78WB JBP78AB JBP78BB	JBP66WB JBP66AB JBP66BB	JBP65WC	JBP64WB JBP64BB	JBP63BB	JBS61WB JBS61BB
Features											
Self-cleaning oven	Convection	Convection	Convection	Convection	●	●	●	●	●	●	Standard
Self-clean latch	●	Auto	Auto	Auto	Auto	●	●	●	●	●	
Oven capacity (cu. ft.)	3.7	4.5	4.5	4.5	5.0	5.0	5.0	5.0	5.0	3.7	3.7
CleanDesign Oven Interior		●	●								
Oven shelves	3 (1 off-set)	3 (1 off-set)	3 (1 off-set)	3	2	2	2	2	2	2	2
Patterned glass-ceramic cooktop	Black	True White White Bisque Almond Black	White Bisque Almond Black	White Bisque Black	White Bisque Almond Black	White Almond Black	White Almond Black	White	White Black	Black	White Black
One-piece upswept cooktop	●	●	●	●	●	●	●	●	●	●	●
Dual 6/9" heating element	1 Ribbon (1000/2500W)	1 Ribbon (1000/2500W)	1 Ribbon (1000/2500W)	1 Ribbon (1000/2500W)	1 Ribbon (1000/2500W)	1 Ribbon (1000/2500W)					
8" heating elements			1 Ribbon (2000W)	1 Ribbon (2000W)	1 Ribbon (2000W)	1 Ribbon (2000W)	2 Ribbon (2000W)	2 Ribbon (2000W)	2 Ribbon (2000W)	2 Ribbon (2000W)	2 Ribbon (2000W)
7" heating element	2 Ribbon (1800W)	2 Ribbon (1800W)									
Bridge element	1 (800W)	1 (800W)									
TotalWage	4400	4400									
6" heating elements	1 Ribbon (1500W)	1 Ribbon (1500W)	2 Ribbon (1500W)	2 Ribbon (1500W)	2 Ribbon (1500W)	2 Ribbon (1500W)	2 Ribbon (1500W)	2 Ribbon (1500W)	2 Ribbon (1500W)	2 Ribbon (1500W)	2 Ribbon (1500W)
Warming option		(75W)	(75W)	(75W)	(75W)	(75W)					
Warming zone	1 (120W)						1 (120W)				
Infinite heat controls	●	●	●	●	●	●	●	●	●	●	●
TrueTemp™ System	●	●	●	●	●	●	●	●	●	●	●
SmartLogic™ controls	●	●	●	●	●	●	●	●	●	●	●
Six-pass power bake element	●	●	●	●	●	●	●	●	●	●	●
Convection Bake	●	●	●	●	●	●	●	●	●	●	●
Convection Roast	●	●	●	●	●	●	●	●	●	●	●
Convenience Controls	●	●	●	●	●	●	●	●	●	●	●
QuickSet oven controls	QuickSet V	QuickSet V	QuickSet V	QuickSet V	QuickSet IV	QuickSet III	QuickSet III	QuickSet II	QuickSet II	QuickSet II	QuickSet II
Digital temperature display	●	●	●	●	●	●	●	●	●	●	●
Oven function icons	●	●	●	●	●	●	●	●	●	●	●
Glass touch controls	●	●	●	●	●	●	●	●	●	●	●
Digipad numeric entry	●	●	●	●	●	●	●	●	●	●	●
Convection conversion	●	●	●	●	●	●	●	●	●	●	●
Delay bake	●	●	●	●	●	●	●	●	●	●	●
Oven light pad	●	●	●	●	●	●	●	●	●	●	●
Control lock capability	●	●	●	●	●	●	●	●	●	●	●
Start pad	●	●	●	●	●	●	●	●	●	●	●
Self-clean cool-down time display	●	●	●	●	●	●	●	●	●	●	●
Auto self-clean	●	●	●	●	●	●	●	●	●	●	●
Delay clean option	●	●	●	●	●	●	●	●	●	●	●
Auto oven shut-off	w/override	w/override	w/override	w/override	w/override	w/override	w/override	w/override	w/override	w/override	w/override
Audible preheat signal	●	●	●	●	●	●	●	●	●	●	●
Dual element bake	●	●	●	●	●	●	●	●	●	●	●
Automatic meat thermometer	●	●	●	●	●	●	●	●	●	●	●
Hot surface lights	●	●	●	●	●	●	●	●	●	●	●
Oven "ON" light	●	●	●	●	●	●	●	●	●	●	●
Self-clean cycle light	●	●	●	●	●	●	●	●	●	●	●
Interior oven light	Auto/Pad	Auto/Pad	Auto/Pad	Auto/Pad	Auto/Pad	Switch	Switch	Switch	Switch	Switch	Switch
Full-width fluorescent cooktop light	●	●	●	●	●	●	●	●	●	●	●
Storage drawer	Stainless steel	White White Bisque Almond Black	White Bisque Almond Black	White Bisque Black	White Bisque Almond Black	White Almond Black	White Almond CM*	White	CM*	Black	White CM*
Broiler pan/grid	●	●	●	●	●	●	●	●	●	●	●
Roasting rack	●	●	●	●	●	●	●	●	●	●	●
Appearance											
Color appearance*	SS	WW WW CC AA BB	WW CC AA BB	WW CC BB	WW CC AA BB	WW AA BB	WW AA WH/AD	WW	WW WH/AD	WH/AD	WW WH/AD
Frameless glass oven door	Stainless steel	White White Bisque Almond Black	White Bisque Almond Black	White Bisque Black	White Bisque Almond Black	White Almond Black	White Almond Black	White	White Black	Black	White Black
Oven door with window	●	Big View	Big View	Big View	Big View	Big View	●	●	●	●	●
Designer-style handle	Tubular	Sure Grip	Sure Grip	Sure Grip	Sure Grip	●	●	●	●	●	●
Weights & Dimensions											
Overall oven interior dimensions (WxHxD in inches)	22-3/4 x 15-7/8 x 15-7/8	← 24-1/4 x 19 x 17 →			← 24-1/4 x 19 x 19 →			← 23 x 16 x 17-3/4 →			
Approx. ship. wt. (lbs.)	194	206	206	205	198	198	175	174	174	165	155
Power/Ratings											
KW rating @ 240V	11.9	12.4	11.5	11.5	11.0	11.0	10.5	10.5	10.5	10.5	10.5
208V	8.9	9.3	8.6	8.6	8.3	8.3	7.9	7.9	7.9	7.9	7.9
Accessories											
Cooktop cleaning creme & scraper	●	●	●	●	●	●	●	●	●	●	●

*SS = Stainless steel, WW = White on white, CC = Bisque, AA = Almond on almond, BB = Black on black, WH = White, AD = Almond, CM = Color-Matched indicates color of drawer matches range cooktop (either white or almond).

Refrigeration

Cooking Products

Microwave Ovens

Dishwashers

Clothes Care

Water Systems

Air Conditioning

30" Free-Standing QuickClean™ Electric Ranges

	GE Profile™	GE									
	JBP48WB JBP48AB JBP48BB	JBP35WB JBP35BB	JBP30WB JBP30AB JBP30BB	JBP26WB JBP26AB JBP26BB	JBP24WB JBP24BB	JBP21WB JBP21BB	JBS27WC JBS27AC JBS27BC	JBS26C	JBS07C	JBS05Y	JBS03BC JBS03C
Features											
Oven cleaning	Self-Clean	Self-Clean	Self-Clean	Self-Clean	Self-Clean	Self-Clean	Standard	Standard	Standard	Standard	Standard
Oven capacity (cu. ft.)	5.0	5.0	5.0	5.0	5.0	3.7	5.0	5.0	5.0	3.7	5.0
Oven shelves	2	2	2	2	2	2	2	2	2	2	2
Upswept porcelain-enameled cooktop	●	●	●	●	●	●	●	●	●		●
Clean-Well™ Cooktop System	●	●	●	●	●	●	●	●	●		●
Lift-up cooktop w/dual support rods	●	●	●	●	●	●	●	●	●		●
8" heating elements	2 (6 turns)	2 (6 turns)	2 (6 turns)	2 (5 turns)	2 (5 turns)	2 (5 turns)	2 (5 turns)	2 (4 turns)	1 (5 turns)	1 (6 turns)	1 (5 turns)
6" heating elements	2 (5 turns)	2 (5 turns)	2 (5 turns)	2 (4 turns)	2 (4 turns)	2 (4 turns)	2 (4 turns)	2 (3 turns)	3 (4 turns)	3 (5 turns)	3 (4 turns)
Warming option	●										
Infinite heat controls	●	●	●	●	●	●	●	●	●	●	●
Plug-in Calrod® heating elements	●	●	●	●	●	●	●	●	●		●
Removable 1-piece drip bowls	Grey Black Black	Black	Grey Black Black	Chrome	Chrome	Chrome	Chrome	Chrome	Chrome	Chrome	Chrome
TrueTemp™ System	●	●	●	●							
SmartLogic™ controls	●	●	●	●							
Six-pass power bake element	●	●	●	●							
Convenience controls	●	●	●	●	●	●					
QuickSet oven controls	QuickSet IV	QuickSet III	QuickSet III	QuickSet III	QuickSet II	QuickSet II					
Digital temperature display	●	●	●	●	●	●					
Electronic oven controls	●	●	●	●	●	●					
Auto oven shut-off	w/override	w/override	w/override	w/override	w/override	w/override					
Control lock capability	●										
Start pad	●										
Delay clean option	●	●	●	●							
Auto self-clean	●	●	●	●	●	●					
Self-clean cool down display	●	●	●	●	●	●					
Audible preheat signal	●	●	●	●	●	●					
Clock and minute timer	●	●	●	●	●	●	●	●			
Dual element bake	●	●	●	●	●	●	●	●	●	●	●
Heating element "ON" indicator light	●	●	●	●	●	●	●	●	●	●	●
Interior oven light	Auto/Switch	Switch	Switch	Switch	Switch	Switch	Switch	Switch	Auto/Switch		
Preheated oven light	in display	●	●	●	●	●					
Removable full-width storage drawer	White Almond Black	CM*	White Almond CM*	White Almond CM*	White CM*	White CM*	White Almond CM*	CM*	White	CM*	CM*
Broiler pan with grid	●	●	●	●	●	●	●	●	●	●	●
Appearance											
Color appearance*	WW AA BB	WW WH/AD	WW AA WH/AD	WW AA WH/AD	WW WH/AD	WW WH/AD	WW AA WH/AD	WH/AD	WW	WH/AD	WH/AD
Frameless oven door*	WG AG BG	BG	WG AG BG	WG AG BG	WG BG	WG BG	WG AG BG	CM	White	CM	BG CM
Oven door with window	Big View	Big View	●	●	●	●	●	●	●	●	●
Removable oven door	●	●	●	●	●	●	●	●	●	●	●
Designer-style handle	Sure Grip	●	●	●	●	●	●	●	●	Visor	Visor
Textured steel side panels	●	●	●	●	●	●	●	●	●	●	●
Weights & Dimensions											
Overall oven interior dimensions (WxHxD in inches)	← 24-1/4 x 19 x 19 →					23 x 16 x 17-3/4	← 23-3/4 x 19 x 18-1/2 →			22-3/4 x 15-3/4 x 17	23-3/4 x 19 x 18-1/2
Approx. shipping weight (lbs.)	176	173	170	172	170	144	158	159	141	157	154
Power/Ratings											
KW rating @ 240V	11.7	11.7	11.7	11.7	11.7	10.8	12.6	11.1	11.5	9.3	11.4
208V	8.8	8.8	8.8	8.8	8.8	8.1	9.9	8.8	9.1	6.9	9.0

*WW = White on white, AA = Almond on almond, BB = Black on black, WH = White, AD = Almond, CM = Color-Matched indicates color of oven door or storage drawer matches range cooktop (either white or almond), WG = White Glass, AG = Almond Glass, BG = Black Glass.

Warranty Information

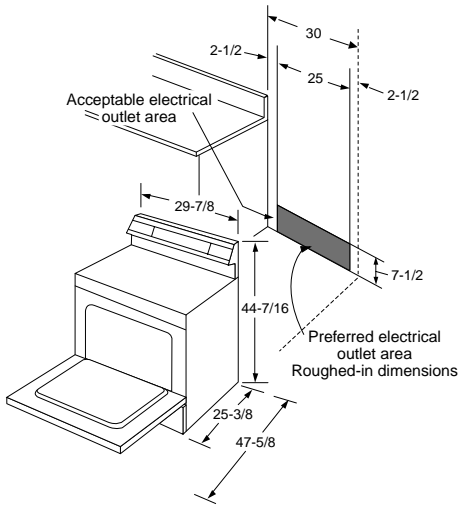
Full one-year warranty (parts and labor at no additional charge) applies to the entire range.



All GE ranges are equipped with an Anti-Tip device. The installation of this device is an important, required step in the installation of the range.

30" Free-Standing QuickClean™ Electric Ranges (continued)

Dimensions and Installation Information (in inches)
for models JBP48/35/30/26/24



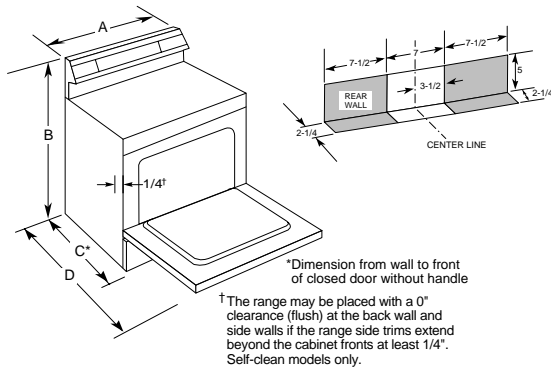
Note: 30" ranges conform to U.L. requirements for 0" spacing from adjacent walls below countertops. To reduce possible scorching of walls, engineering recommends a minimum of 1-1/2" spacing to allow for possible extended, high heat, no-load heating element operation.

Receptacle Locations:

Locally approved flexible service cord or conduit must be used because terminals are not accessible after range installation. See shaded area in drawing for location of electrical outlet box. Recommended outlet locations allow range to be installed directly against wall.

Installation Information: Before installing, consult installation instructions packed with product for current dimensional data.

Dimensions and Installation Information (in inches)
for models JBP21 and JBS27/26/07/05/03.



Cabinet Dimensions (in inches)

Model	A	B	C*	D
JBP21WB/BB	29-7/8	45-1/8	25-7/16	46-1/8
JBS27WC/AC/BC	29-7/8	46-1/2	26-3/8	46-3/8
JBS26C	29-7/8	46-1/2	26-1/4	46-1/4
JBS07C	29-7/8	46-1/2	26-1/4	46-1/4
JBS05Y	29-7/8	44-5/8	25-5/16	45-1/2
JBS03BC	29-7/8	46-1/2	26-3/8	46-3/8
JBS03C	29-7/8	46-1/2	26-1/4	46-1/4

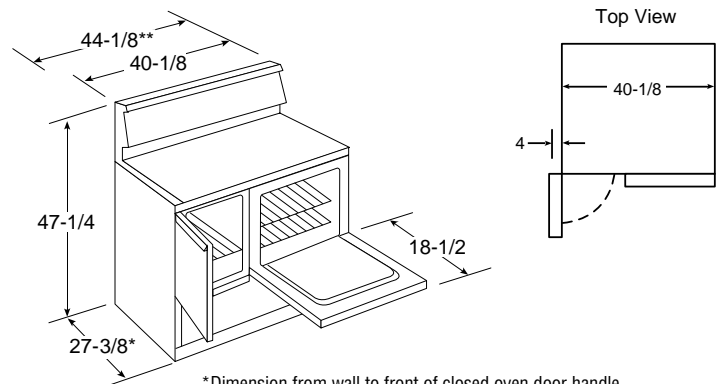
*Dimension from wall to front of closed oven door handle is 27-1/2" on models JBP21; 28-1/2" on JBS27/03BC; 28-3/8" on JBS26/07; 28" on JBS03C; 27-1/8" on JBS05Y.

40" Electric Ranges

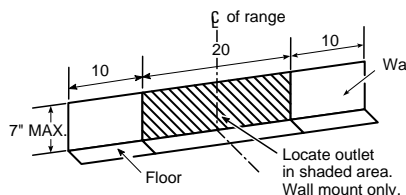
	GE	
	JCP67Y	JCS57Y
Features		
Oven cleaning	Master Oven—Self-Clean Companion Oven—Standard	Standard
Oven shelves	Master Oven—2 Companion Oven—1	Master Oven—2
8" heating elements	2	2
6" heating elements	2	2
Removable drip bowls	One-Piece Chrome	One-Piece Chrome
Clock and minute timer	Electronic	Electronic
Automatic oven timer	Master	
Heating element "ON" indicator light	●	●
Interior oven light	●	●
Full-width fluorescent cooktop night light	●	●
Oven cycling light	2	●
Storage drawer	●	●
Broiler pan with grid	Master Oven—1 Companion Oven—1	Master Oven—1
Appearance		
Color appearance*	WW	WW
Oven door with window	Master Oven	●
Removable oven door	Master	●
Weights & Dimensions		
Overall oven interior dimensions (WxHxD in inches)	Master Oven— 22-5/8 x 15-7/8 x 18-1/8 Companion Oven— 9-9/16 x 16 x 19-1/2	22-5/8 x 15-7/8 x 18-1/8
Approx. shipping weight (lbs.)	224	197
Power/Ratings		
KW rating @ 240V	14.2	12.6
208V	10.7	9.5

*WW = White on white.

40" Range Dimensions and Installation Information (in inches)



*Dimension from wall to front of closed oven door handle.
**Includes required 4" door swing allowance for side-hinged oven or storage compartment door.



Receptacle Locations: For all 40" Free-Standing Ranges locally approved flexible service cord or conduit must be used because terminals are not accessible after range installation. See shaded area in drawing for location of electrical outlet box. Recommended outlet locations allow range to be installed directly against rear wall.

Warranty Information

Full one-year warranty (parts and labor at no additional charge) applies to the entire range. See written warranty for complete details.

See page 150 for warranty information.

30" GE Spectra™ Self-Clean Gas Ranges

	GE Profile Performance™		GE Profile™			
	Sealed Burner Models					
	JGB920WEC JGB920CEC JGB920BEC	JGB910WEC JGB910CEC JGB910BEC	JGB90MEB	JGBP86WEB JGBP86CEB JGBP86AEB JGBP86BEB	JGBP85WEB JGBP85CEB JGBP85AEB JGBP85BEB	JGBP79WEB JGBP79CEB JGBP79AEB JGBP79BEB
Capacity						
Extra-large oven	•	•	•	•	•	•
Features						
Oven cleaning	Self-Clean	Self-Clean	Self-Clean	Self-Clean	Self-Clean	Self-Clean
Ceramic glass cooktop	•					
Cooktop burners	Sealed	Sealed	Sealed	Sealed	Sealed	Sealed
Maximum Output burner (Nat.)	(2) 13,000/ 1,600 BTU	(2) 12,000/ 1,000 BTU	(2) 12,000/ 1,000 BTU	(2) 12,000/ 1,000 BTU	(2) 12,000/ 1,000 BTU	(2) 12,000/ 1,000 BTU
Precise Simmer burner (Nat.)	(1) 5,200/950 BTU	(1) 5,000/600 BTU	(1) 5,000/600 BTU	(1) 5,000/600 BTU	(1) 5,000/600 BTU	(1) 5,000/600 BTU
All-purpose burners (Nat.)	(1) 9,500/1250 BTU	(1) 9,500/850 BTU	(1) 9,500/850 BTU	(1) 9,500/850 BTU	(1) 9,500/850 BTU	(1) 9,500/850 BTU
Warming Zone (120 Watts)	•					
Warming zone hot light	•					
Valves (degree of turn)	270	270	270	270	270	270
TrueTemp™ System	•	•	•	•	•	•
SmartLogic™ controls	•	•	•	•	•	•
Convection Bake	Dual Speed	Dual Speed				
Convection Roast	Dual Speed	Dual Speed				
QuickSet oven controls	QuickSet V	QuickSet V	QuickSet V	QuickSet V	QuickSet V	QuickSet IV
Auto Self-Clean	•	•	•	•	•	•
Electronic oven control	•	•	•	•	•	•
Hi/Low broil	•	•	•	•	•	•
Electronic clock and timer	•	•	•	•	•	•
Automatic oven timer	•	•	•	•	•	•
Audible preheat signal	•	•	•	•	•	•
Auto oven shut-off	•	•	•	•	•	•
One-piece upswept cooktop	Porc.-Enam.	Porc.-Enam.	Porc.-Enam.	Porc.-Enam.	Porc.-Enam.	Porc.-Enam.
Porcelain-enameled one-piece drip pans		Grey Taupe Black	Black	Grey Taupe Black Bisque	Grey Heavy Cast Taupe Heavy Cast Black Hvy. Cast Taupe Hvy. Cast	Grey Heavy Cast Taupe Heavy Cast Black Hvy. Cast Taupe Hvy. Cast
Removable square grates	Grey Hvy. Cast Bisque Hvy. Cast Black Hvy. Cast	Grey Hvy. Cast Bisque Hvy. Cast Black Hvy. Cast	Profes. Grates	Profes. Grates Grey Taupe Black Taupe	Grey Heavy Cast Taupe Heavy Cast Black Hvy. Cast Taupe Hvy. Cast	Grey Heavy Cast Taupe Heavy Cast Black Hvy. Cast Taupe Hvy. Cast
Ignition system	Electronic	Electronic	Electronic	Electronic	Electronic	Electronic
Oven racks	3	3	3	3	3	3
Six embossed rack positions	•	•	•	•	•	•
Extra-large broiler pan/grid	•	•	•	•	•	•
Scratch-resistant backguard	Glass	Glass	Brushed Chrome	Glass	Glass	Porc.-Enam.
Fluorescent backguard light	•	•		•	•	
Interior oven light	•	•	•	•	•	•
Warming drawer	450 Watt	450 Watt	450 Watt	450 Watt	450 Watt	450 Watt
Infinite control	•	•	•	•	•	•
Temp. settings (lo, med, high)	150° - 220° F	150° - 220° F	150° - 220° F	150° - 220° F	150° - 220° F	150° - 220° F
Stainless steel insert	•	•				
In-oven broiling	•	•	•	•	•	•
Appearance						
Color appearance*	WW CC BB	WW CC BB	BC	WW CC AA BB	WW CC AA BB	WW CC AA BB
Frameless removable oven door	White Glass Bisque Glass Almond Glass	White Glass Bisque Glass Almond Glass	Brushed Chrome	White Glass Bisque Glass Almond Glass Black Glass	White Glass Bisque Glass Almond Glass Black Glass	White Glass Bisque Glass Almond Glass Black Glass
Oven door with window	Big View	Big View	Big View	Big View	Big View	Big View
Designer-style handle	Sure Grip	Sure Grip	Professional-Style	Sure Grip	Sure Grip	Sure Grip
Designer-style control knobs	•	•	Professional-Style	•	•	•
Four leveling legs	•	•	•	•	•	•
Weights & Dimensions						
Overall interior dimensions (WxHxD in inches)	← 24 x 17 x 19 →					
Approx. shipping weight (lbs.)	225	246	230	220	220	210
Power/Ratings						
Top burners (000's BTU's) Nat/LP	(2) 13.0/1.6 (1) 5.21/1.95 (1) 9.5/2.5			2) 12.0/11.0 (1) 5.0/5.0 (1) 9.5/9.5		
Oven/broiler burners (000's BTU's) Nat/LP				16.0/16.0 Oven 13.5/12.0 Broil		
Gas range electrical rating	← 120V, 60Hz, 5A →					
LP conversion kit (included)	•	•	•	•	•	•

*WW = White on white, CC = Bisque, AA = Almond on almond, BB = Black on black, BC = Brushed-Chrome.

Factory set for Natural Gas.
A set of LP orifices is included with each Spectra™ range for LP conversion.

Model	A	B	C*	D	E
JGB920WEC/CEC/BEC	30	47-3/4	26-1/4	46-3/8	36 ± 1/4
JGB910WEC/CEC/BEC	30	47-3/4	26-1/4	46-3/8	36 ± 1/4
JGB90MEB	30	47-3/4	26-1/4	46-3/8	36 ± 1/4
JGBP86WEB/CEB/AEB/BEB	30	47-3/4	26-1/4	46-3/8	36 ± 1/4
JGBP85WEB/CEB/AEB/BEB	30	47-3/4	26-1/4	46-3/8	36 ± 1/4
JGBP79WEB/CEB/AEB/BEB	30	46-1/2	26-1/4	46-3/8	36 ± 1/4

*Dimension from wall to front of closed door handle is 29" on models JGB920/910, JGBP86/85/79 and 28-1/4" on model JGB90.
25-1/4"—Depth to front edge of cooktop.

Optional Gas Range Accessory Drip Pans For Sealed and Standard Burner Models (Available at additional cost) To order these accessory drip pans, call toll-free 800-626-2002.

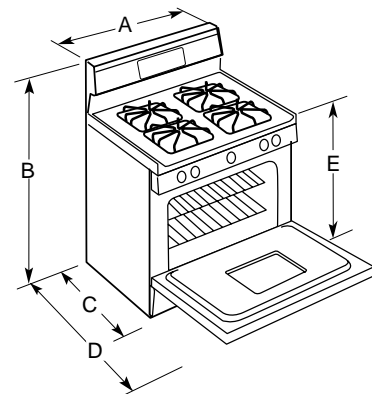
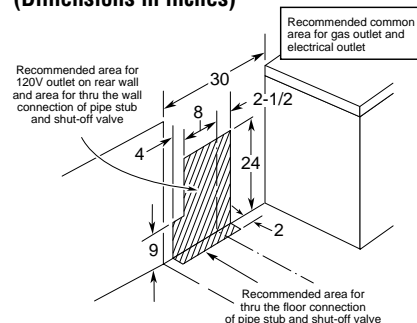
Optional Gas Range Wok Accessory (Available at additional cost)
JXWK = Wok holder accessory sits on top of maximum burner grate to hold a **round-bottom** wok.

Installation Information: Before installing, consult installation instructions packed with product for current dimensional data.



All GE ranges are equipped with an Anti-Tip device. The installation of this device is an important, required step in the installation of the range.

Installation Information (Dimensions in inches)



GE						
	Sealed Burner Models				Standard Burner Models	
	JGBP35WEA JGBP35AEA JGBP35BEA	JGBP30WEA JGBP30AEA JGBP30BEA	JGBP28WEA JGBP28BEA	JGBP27BEA	JGBP26WEA JGBP26AEA JGBP26BEA	JGBP24BEA
Capacity						
Extra-large oven	•	•	•	•	•	•
Features						
Oven cleaning	Self-Clean	Self-Clean	Self-Clean	Self-Clean	Self-Clean	Self-Clean
Cooktop burners	Sealed	Sealed	Sealed	Sealed	Standard/Twin	Standard/Twin
Maximum Output burner (Nat.)	(1) 12,000/ 1,000 BTU	(1) 12,000/ 1,000 BTU				
Precise Simmer burner (Nat.)	(1) 5,000/ 600 BTU	(1) 5,000/ 600 BTU				
All-purpose burners (Nat.)	(2) 9,500/ 850 BTU	(2) 9,500/ 850 BTU	(4) 9,500/ 850 BTU	(4) 9,500/ 850 BTU	(4) 9,500/ 850 BTU	(4) 9,500/ 850 BTU
Valves (degree of turn)	270	270	140	140	270	270
TrueTemp™ System	•	•			•	
SmartLogic™ controls	•	•			•	
QuickSet oven controls	QuickSet IV	QuickSet III	QuickSet II	QuickSet II	QuickSet III	QuickSet II
Auto Self-Clean	•	•	•	•	•	•
Electronic oven control	•	•			•	
Hi/Low broil	•	•			•	
Electronic clock and timer	•	•	•	•	•	•
Automatic oven timer	•	•			•	
Audible preheat signal	•	•	•	•	•	•
Auto oven shut-off	•	•	•	•	•	•
One-piece upswept cooktop	Porc.-Enam.	Porc.-Enam.	Porc.-Enam.	Porc.-Enam.	Porc.-Enam.	Porc.-Enam.
Lift-up cooktop					•	•
Easy-clean subplot					Porc.-Enam.	Porc.-Enam.
Porcelain-enameled one-piece drip pans	Grey Taupe Black	Grey Taupe Black	Opt. Access.	Opt. Access.	Chrome Chrome Black	Opt. Access.
Removable square grates	Grey Medium Cast Taupe Medium Cast Black Med. Cast	Grey Deluxe Porc. Steel Taupe Deluxe Porc. Steel Black Deluxe Porc. Steel	Grey Std. Porc. Steel Black Std. Porc. Steel	Black Std. Porc. Steel	Grey Std. Porc. Steel Taupe Std. Porc. Steel Black Std. Porc. Steel	Black Std. Porc. Steel
Ignition system	Electronic	Electronic	Electronic	Electronic	Electronic	Electronic
Oven racks	2	2	2	2	2	2
Six embossed rack positions	•	•	•	•	•	•
Extra-large broiler pan/grid	•	•	•	•	•	•
Scratch-resistant backguard	Porc.-Enam.	Porc.-Enam.	Porc.-Enam.	Porc.-Enam.	Porc.-Enam.	Porc.-Enam.
Interior oven light	•	•	•	•	•	•
Storage drawer	•	•	•	•	•	•
In-oven broiling	•	•	•	•	•	•
Appearance						
Color appearance*	WW AA BB	WW AA WH/AD	WW WH/AD	WH/AD	WW AA WH/AD	WH/AD
Frameless removable oven door	White Glass Almond Glass Black Glass	White Glass Almond Glass Black Glass	White Glass Black Glass	Solid Black Glass	White Glass Almond Glass Black Glass	Solid Black Glass
Oven door with window	Big View	Big View	•	•	•	•
Designer-style handle	•	•	•	•	•	•
Four leveling legs	•	•	•	•	•	•
Weights & Dimensions						
Overall oven interior dimensions (WxHxD in inches)	← 24 x 17 x 19 →					
Approx. shipping weight (lbs.)	210	210	210	210	200	200
Power/Ratings						
Top burners (000's BTU's) Nat/LP	← (1) 12.0/11.0 (1) 5.0/5.0 (2) 9.5/9.5 →		← (4) 9.5/9.5 →		← (4) 9.0/8.0 →	
Oven/broiler burners (000's BTU's) Nat/LP	← 16.0/16.0 Oven 13.5/12.0 Broil →					
Gas range electrical rating	← 120V, 60Hz, 5A →					
LP conversion kit (included)	•	•	•	•	•	•

*WW = White on white, AA = Almond on almond, BB = Black on black, WH = White, AD = Almond. Factory set for Natural Gas. A set of LP orifices is included with each XL44™ range for LP conversion.

Model	A	B	C*	D	E
JGBP35WEA/AEA/BEA	30	46-1/2	26-1/4	46-3/8	36 ± 1/4
JGBP30WEA/AEA/BEA	30	46-1/2	26-1/4	46-3/8	36 ± 1/4
JGBP28WEA/BEA	30	46-1/2	26-1/4	46-3/8	36 ± 1/4
JGBP27BEA	30	46-1/2	26-1/4	46-3/8	36 ± 1/4
JGBP26WEA/AEA	30	46-1/2	26-1/4	46-3/8	36 ± 1/4
JGBP26BEA	30	46-1/2	26-1/4	46-3/8	36 ± 1/4
JGBP24BEA	30	46-1/2	26-1/4	46-3/8	36 ± 1/4

*Dimension from wall to front of closed door handle is 28-1/4. 25-1/4"—Depth to front edge of cooktop.

Optional Gas Range Accessory Drip Pans For Sealed and Standard Burner Models (Available at additional cost) To order these accessory drip pans, call toll-free 800-626-2002.

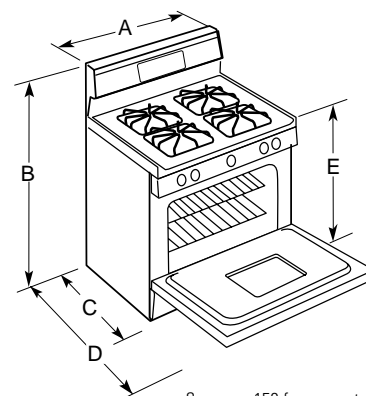
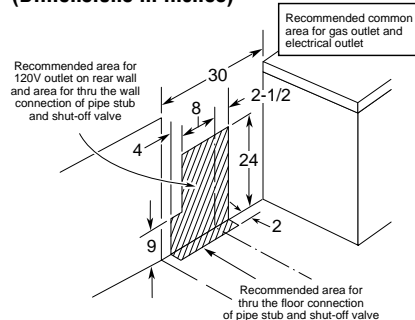
Optional Gas Range Wok Accessory (Available at additional cost) JXWK = Wok holder accessory sits on top of maximum burner grate to hold a **round-bottom** wok.

Installation Information: Before installing, consult installation instructions packed with product for current dimensional data.



All GE ranges are equipped with an Anti-Tip device. The installation of this device is an important, required step in the installation of the range.

Installation Information (Dimensions in inches)



See page 150 for warranty information.

30" Continuous and Standard Clean Gas Ranges

GE											
Sealed Burner Models				Standard Burner Models							
JGBS23WEA JGBS23AEA JGBS23BEA	JGBS22BEA	JGBS21PEA	JGBC20BEA JGBS20BEA	JGBC20WEA JGBS20WEA	JGBC17PEA JGBS17PEA	JGBS15PEA	JGBS07PEA	JGBS04BEA JGBS04BPA	JGBS04PEA JGBS04PPA	JGBS03PPA	
Capacity											
Extra-large oven	•	•	•	•	•	•	•	•	•	•	•
Features											
Oven cleaning	Standard Clean	Standard Clean	Standard Clean	Cont. Clean Standard Clean	Cont. Clean Standard Clean	Cont. Clean Standard Clean	Standard Clean	Standard Clean	Standard Clean	Standard Clean	Standard Clean
Cooktop burners	Sealed	Sealed	Sealed	Std./Twin	Std./Twin	Std./Twin	Std./Twin	Std./Twin	Std./Twin	Std./Twin	Std./Twin
Maximum Output burner (Nat.)	(1) 12,000/ 1,000 BTU										
Precise Simmer burner (Nat.)	(1) 5,000/ 600 BTU										
All-purpose burners (Nat.)	(2) 9,500/ 850 BTU	(4) 9,500/ 850 BTU	(4) 9,500/ 850 BTU								
Valves (degree of turn)	270	140	140	140	140	140	140	140	140	140	140
Electronic clock and timer	•	•	•	•	•	•	•	•	•	•	•
Porcelain-enameled cooktop	One-Piece Upswept	One-Piece Upswept	One-Piece Upswept	One-Piece Upswept	One-Piece Upswept	One-Piece Upswept	One-Piece Upswept	•	•	•	•
Lift-up cooktop				•	•	•	•	•	•	•	•
Easy-clean porcelain- enameled subtop				•	•	•	•	•	•	•	•
One-piece drip pans	Grey Taupe Black	Opt. Access.	Opt. Access.	Opt. Access.	Opt. Access.	Opt. Access.	Opt. Access.	Opt. Access.	Opt. Access.	Opt. Access.	Opt. Access.
Removable square grates	Deluxe Porcelain Steel	Black Standard Porcelain Steel	Black Standard Porcelain Steel	Black Standard Porcelain Steel	Grey Standard Porcelain Steel	Black Standard Porcelain Steel	Black Standard Porcelain Steel	Grey Standard Porcelain Steel	Black Standard Porcelain Steel	Black Standard Porcelain Steel	1-Piece Wire
Ignition system	Electronic	Electronic	Electronic	Electronic	Electronic	Electronic	Electronic	Electronic	Electronic Pilot †	Electronic Pilot †	Pilot †
Oven racks	2	2	1	2	2	2	2	2	2	2	2
Six embossed rack positions	•	•	•	•	•	•	•	•	•	•	•
Extra-large broiler pan/grid	•	•	•	•	•	•	•	•	•	•	•
Porcelain-enameled backguard	•	•	•	•	•	•	•	•	•	•	•
Interior oven light	•	•	•	•	•	•	•	•	•	•	•
Slide-out broiler drawer	•	•	•	•	•	•	Drop-Down	•	•	•	Drop-Down
Appearance											
Color appearance*	WW AA WH/AD	WH/AD	WH/AD	WH/AD	WW	WH/AD	WH/AD	WW	WH/AD	WH/AD	WH/AD
Frameless removable oven door	White Glass Almond Glass Black Glass	Black Glass	CM* Porc.-Enam.	Black Glass	White Glass	CM* Porcelain- Enameled	CM* Porcelain- Enameled	White Porcelain- Enameled	Solid Black Glass	CM* Porcelain- Enameled	CM* Porcelain- Enameled
Oven door with window	Big View	•	•	•	•	•	•	•	•	•	•
Designer-style handle	•	•	Chrome Visor	•	•	•	Chrome Visor	•	•	Chrome Visor	Chrome Visor
Four leveling legs	•	•	•	•	•	•	•	•	•	•	•
Weights & Dimensions											
Overall oven interior dimensions (WxHxD in inches)	← 24 x 17 x 19 →										
Approx. shipping weight (lbs.)	180	170	170	175	175	175	175	165	165	165	160
Power/Ratings											
Top burners (000's BTU's) Nat/LP	(1) 12.0/11.0 (1) 5.0/5.0 (2) 9.5/9.5	← (4) 9.5/9.5 →						← (4) 9.0/8.0 →			
Oven/broiler burners (000's BTU's) Nat/LP	← 18.0/16.5 →										
Gas range electrical rating**	← 120V, 60Hz., 5A →										
LP conversion kit (included)	•	•	•	•	•	•	•	•	•	•	•

*WW= White on white, AA = Almond on almond, WH = White, AD = Almond, CM = Color-Matched indicates color of oven door matches cooktop (either white or almond).

** Electrical rating not applicable to standing pilot models.

† JGBS04BPA, JGBS04PPA and JGBS03PPA have standing pilot ignition.

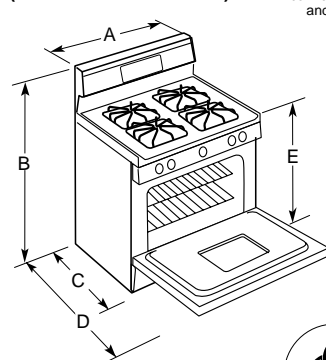
Factory set for Natural Gas. A set of LP orifices is included with each XL44™ range for LP conversion.

Note: Model JGBS03PPA does not have a flamespreader in broiler compartment.

Model	A	B	C*	D	E
JGBS23WEA/AEA/BEA	30	46-1/2	26-1/4	46-3/8	36 ± 1/4
JGBS22BEA	30	46-1/2	26-1/4	46-3/8	36 ± 1/4
JGBS21PEA	30	46-1/2	26-1/4	46-3/8	36 ± 1/4
JGBC20BEA	30	46-1/2	26-1/4	46-3/8	36 ± 1/4
JGBS20BEA	30	46-1/2	26-1/4	46-3/8	36 ± 1/4
JGBC20WEA	30	46-1/2	26-1/4	46-3/8	36 ± 1/4
JGBS20WEA	30	46-1/2	26-1/4	46-3/8	36 ± 1/4
JGBC17PEA	30	46-1/2	26-1/4	46-1/4	36 ± 1/4
JGBS17PEA	30	46-1/2	26-1/4	46-1/4	36 ± 1/4
JGBS15PEA	30	46-1/2	26-1/4	46-1/4	36 ± 1/4
JGBS07PEA	30	45-1/2	26-1/4	46-1/4	36 ± 1/4
JGBS04BEA/BPA	30	45-1/2	25-5/16	46-1/4	36 ± 1/4
JGBS04PEA/PPA	30	45	25-5/16	46-1/4	36 ± 1/4
JGBS03PPA	30	40	25-5/16	46-1/4	36 ± 1/4

*Dimension from wall to front of closed door handle is 29". On models JGBS04 and JGBS03 the dimension is 27-7/16". 25-1/4"—Depth to front top edge of cooktop.

Installation Information (Dimensions in inches)



Recommended area for 120V outlet on rear wall and area for thru the wall connection of pipe stub and shut-off valve

Recommended common area for gas outlet and electrical outlet

Recommended area for thru the floor connection of pipe stub and shut-off valve



All GE ranges are equipped with an Anti-Tip device. The installation of this device is an important, required step in the installation of the range.

Hoods

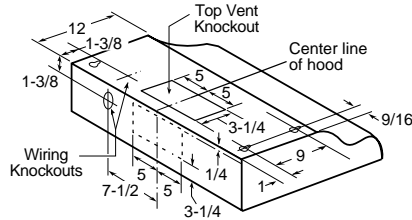
	GE						
	Width	High Performance	Performance	Deluxe	Standard		
	30"	JV376V	JV356V	JV347X	JV327X	JV337X	JN327X
	36"		JV656V				
Features							
Variable speed fan control		•	•				
Two-speed fan control					•	•	•
Three-speed fan control				•			
Vertical exhaust (CFM)		410	250	180	160	160	
Rear exhaust (CFM)		380	230	160		150	
Damper included (rectangular)		•	•	•		•	
Optional damper accessory (round)				JXDA22	JXDA22		
Sones rating:							
Top exhaust		5.5	5.5	8.0	8.0	8.0	
Rear exhaust		5.5	5.5	8.0		8.0	
Removable grease filters		2	2*	Disposable 1-Pc. Filter	1	1	Disposable 1-Pc. Filter
Filter size (sq. in.)		162	162/256	90	90	90	90
Cooktop light(s)**		2	2	1	1	1	1
Night light position on light switch		•	•	•			
3-1/4" x 10" rectangular duct		•	Option	Option		•	
7" round duct				Option	•		
Non-vented			Option	Option			•
Appearance							
Color appearance†		WW/BB	WW/AA/BB	WW/AA/BB	Almond or White	Almond or White	Almond or White
Weights & Dimensions							
Approximate shipping weight (lbs.)		43	35	20	14	17	19
Power/Ratings							
Current rating amps @ 120V		2.5	1.4	2.5	2.5	2.5	2.5

*WB13X5008 removable charcoal filter (for non-vented use) is available at additional cost. Call toll-free 800-626-2002.
 **Light bulbs not furnished.
 †WW = White on white, AA = Almond on almond, BB = Black on black.

Hood Dimensions (in inches)

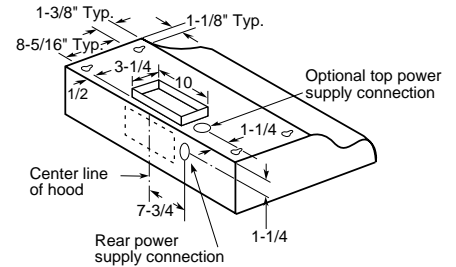
1 Models: JV656V, JV376V and JV356V

Exhaust outlet connects to 3-1/4" x 10" rectangular duct. Vent top or rear. Includes rectangular damper.



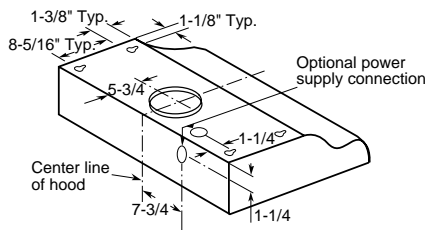
2 Models: JV347X* and JV337X

*JV347X—Refer to this drawing for rectangular exhaust option. Refer to drawing 3 for round exhaust option. Exhaust outlet connects to 3-1/4" x 10" rectangular duct. Vent top or rear. Includes rectangular damper.

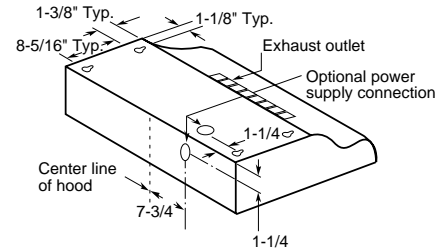


3 Models: JV347X* and JV327X

*JV347X—Refer to this drawing for round exhaust option. Refer to drawing 2 for rectangular exhaust option. Exhaust outlet connects to 7" diameter duct. Vent top only. Round damper accessory, JXDA22, available at additional cost.



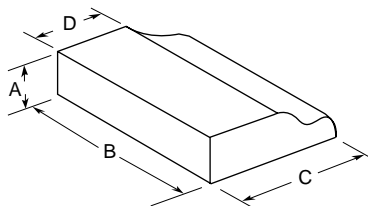
4 Model: JN327X



Note: Before installing, consult installation instructions [Pub. No. 49-8646 (JV376); Pub. No. 49-8809 (JV337/327/347/JN327); Pub. No. 49-8645 (JV356/656)] packed with product for current dimensional data.

Dimensions (in inches)

Model	A	B	C	D
JV376V	7	29-7/8	19-3/4	12
JV356V	7	29-7/8	19-3/4	12
JV656V	7	35-7/8	19-3/4	12
JV347X	5-1/2	29-7/8	17-1/2	12
JV337X	5-1/2	29-7/8	17-1/2	12
JV327X	5-1/2	29-7/8	17-1/2	12
JN327X	5-1/2	29-7/8	17-1/2	12



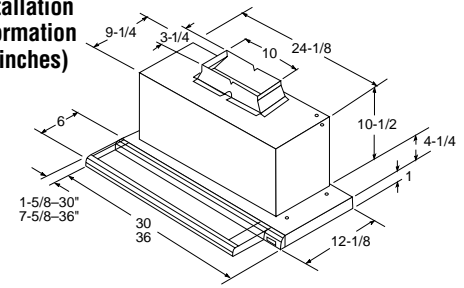
Listed by Underwriters Laboratories

Slide-Out Hoods

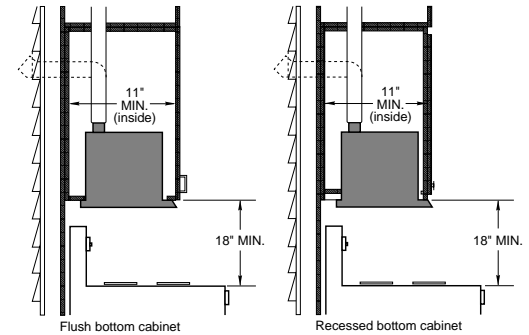
	GE Profile Performance Series™		GE Profile™					
	JV960SA	JV930SA	JV696S	JV695S	JV694S	JV396S	JV395S	JV394S
Features								
Variable speed fan control	●	●	●	●	●	●	●	●
Auto heat sensor	●	●	●	●	●	●	●	●
Vertical exhaust (CFM)	300	300	300	300	300	300	300	300
Sones rating: Top exhaust	4.5	4.5	4.5	4.5	4.5	4.5	4.5	4.5
Removable grease filter*	●	●	●	●	●	●	●	●
Filter size (sq. in.)	147	147	147	147	147	147	147	147
Cooktop light	●	●	●	●	●	●	●	●
3-1/4" x 10" rectangular duct	●	●	●	●	●	●	●	●
Appearance								
Color appearance**	SS	SS	CC	WW	BB	CC	WW	BB
Weights & Dimensions								
Width (in inches)	36	30	36	36	36	30	30	30
Approximate shipping weight (lbs.)	43	40	43	43	43	40	40	40
Power/Ratings								
Current rating Amps @ 120V	3.7	3.7	3.7	3.7	3.7	3.7	3.7	3.7

*Has washable one-piece smoke/grease filter.
 **SS = Stainless Steel, WW = White on white, BB = Black on black, CC = Bisque.
Note: These vented hoods include an installed damper.
Note: The unit is ducted vertically. Horizontal ducting can be accomplished as shown.
Note: Remove glass visor from unit before installing hood in cabinet to protect visor from damage.
Note: Before installing, consult Use & Care/installation instructions [Pub. No. 49-8464 (JV694/695); Pub. No. 49-8463 (JV394/395)] packed with product for current dimensional data.

Installation Information (in inches)



Dimensions (in inches)



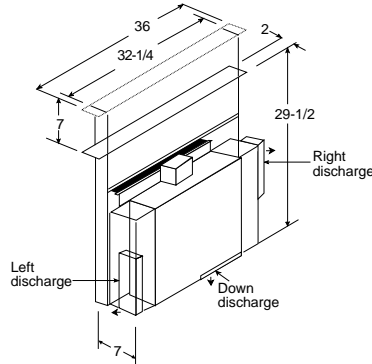
Telescopic Downdraft Systems

	GE Profile Performance Series™	
	JVB96SA	JVB93SA
Features		
Variable speed fan control	●	●
Downdraft exhaust (CFM)	500	500
3-1/4" x 10" rectangular duct	●	●
Removable grease filters	●	●
Appearance		
Color appearance	Stainless	Stainless
Weights & Dimensions		
Width (in inches)	36	30
Approx. shipping weight (lbs.)	62	60
Power/Ratings		
Current rating Amps @ 120V	4.0	4.0

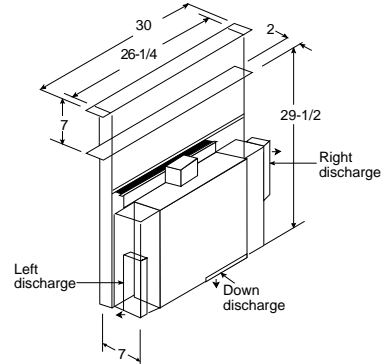
Note: Approved for use with GE Profile Performance™ GE Profile™ and GE electric and sealed burner gas cooktops.

Overall Dimensions (in inches)

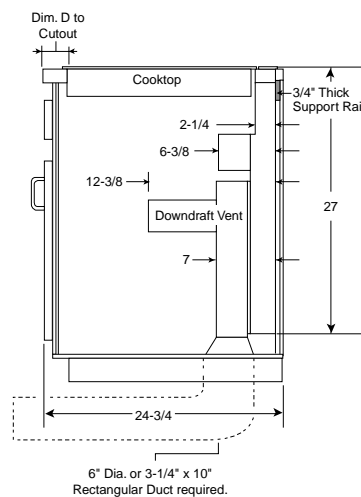
Model: JVB96SA



Model: JVB93SA



Venting Island to Outside Wall (in inches)



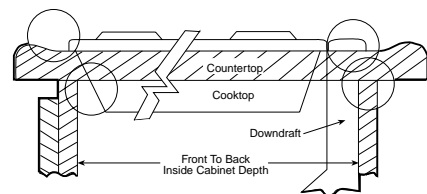
Note: Telescopic downdraft vents are not recommended to be installed with cooktops that are flush mounted.

Note: The countertop must be at least 26" deep with a flat surface area of 23-1/2" or more, front to back. In addition, other clearances to the front edge of the countertop must be considered.

Installation Information: Before installing, consult installation instructions (Pub. No. 49-8446, 36" and 30" Telescopic Hoods) packed with product for current dimensional data.

See page 150 for warranty information.

Counter Cutout Information



Pay special attention to the 4 areas of potential interference circled above. 2" of **FLAT** countertop is needed behind rear edge of cooktop to accommodate downdraft vent cover.

Approved for use with the following GE cooktops—36" and 30" Calrod® models, 36" and 30" radiant models, 30" solid disk models, 36" and 30" gas sealed burner models and 36" and 30" induction models. **Not approved for use with standard burner gas cooktops.**

Note: Dimensions shown are for reference only. Before cutting out countertop, refer to instructions packed with **downdraft and cooktop.**

Note: Duct run not to exceed 100 equivalent feet.

Note: Installation in cabinets/countertops against the wall will not be possible in most applications.

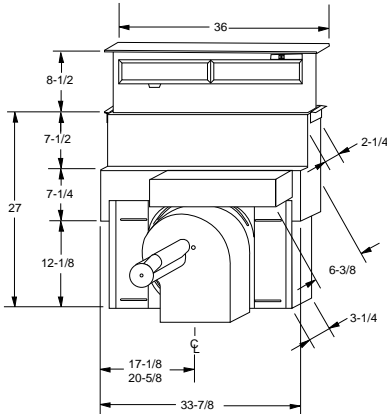
Telescopic Downdraft Systems

Features	GE Profile™	
	JVB67AWW JVB67ACC JVB67ABB	JVB37AWW JVB37ACC JVB37ABB
	Upfront variable speed fan w/slide control	●
Separate remote raise/lower switch	●	●
Downdraft exhaust (CFM)	500	500
Optional blower mount capabilities	●	●
3-1/4" x 10" rectangular duct	●	●
Minimum 6" round duct capability	●	●
Removable grease filters	●	●
Appearance		
Color appearance*	WW CC BB	WW CC BB
Cover plate	White Bisque Black	White Bisque Black
Telescopic snorkel assembly	Black	Black
Weights & Dimensions		
Width (in inches)	36	30
Approximate shipping weight (lbs.)	76	72
Power/Ratings		
Current rating Amps @ 120V	4.0	4.0

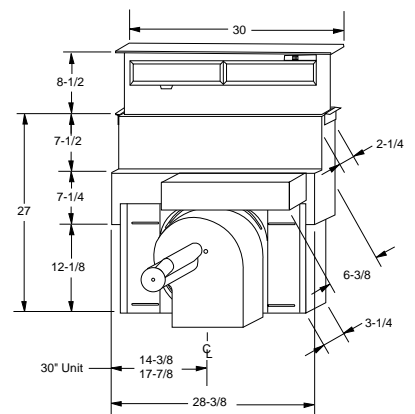
*WW = White on white, CC = Bisque, BB = Black on black.

Note: Approved for use with GE Profile Performance Series™ GE Profile™ and GE electric and sealed burner gas cooktops.

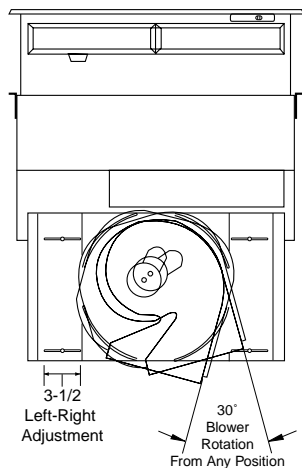
Overall Dimensions (in inches) Model JVB67



Model JVB37



Blower Position



Note: Telescopic downdraft vents are not recommended to be installed with cooktops that are flush mounted.

Approved for use with the following GE Profile Performance Series™ GE Profile™ and GE cooktops—36" and 30" electric models, 36" and 30" gas sealed burner models and 36" and 30" induction models.

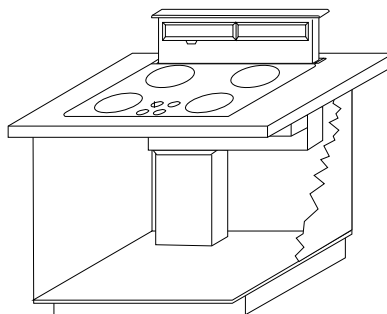
Not approved for use with standard burner gas cooktops.

Note: The countertop must be at least 26" deep with a flat surface area of 23-1/2" or more, front to back. In addition, other clearances to the front edge of the countertop must be considered.

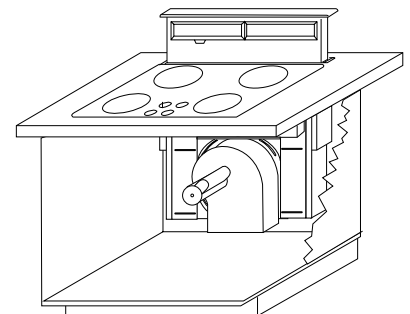
Note: Dimensions shown are for reference only. Before cutting out countertop, refer to instructions packed with **downdraft and cooktop**.

Note: Installation in cabinets/countertops against the wall will not be possible in most applications. Against the wall installations are limited to dimension requirements. Refer to installation instructions packed with product for further details.

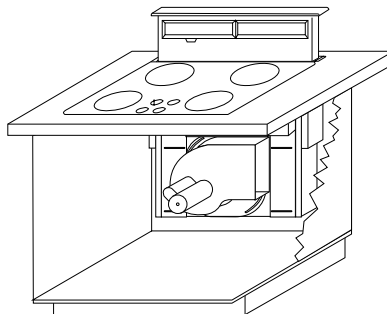
Venting Options (Through the Floor)



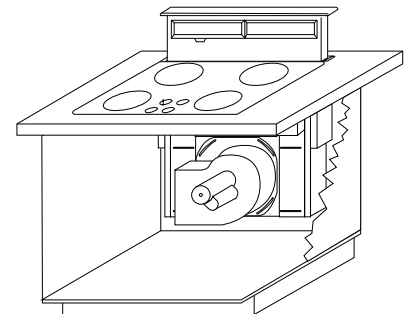
In Cabinet Discharge (Down)



In Cabinet Discharge (Right)



In Cabinet Discharge (Left)



JXBC57 Outdoor Cover. Optional accessory may be ordered for installation of motor and blower assembly on outside wall.

JXRB57 Indoor Remote Accessory. Optional accessory may be ordered for installation of motor and blower assembly in an indoor remote location.

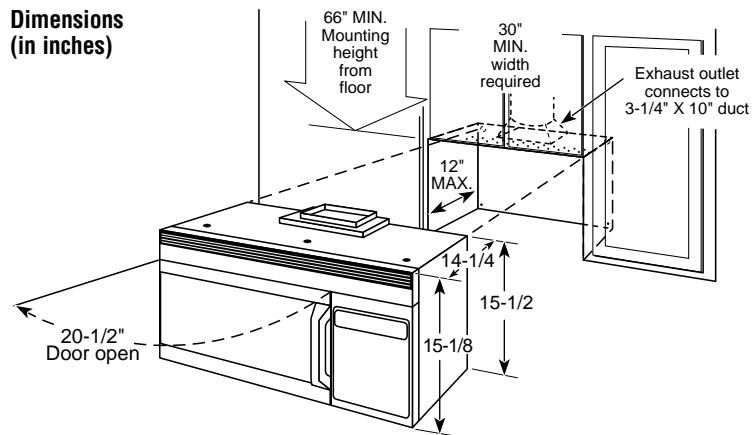
Installation Information: Before installing, consult installation instructions (49-8931-1) packed with product for current dimensional data.

SpacemakerPlus™ Convection/Microwave Ovens

	GE Profile Performance Series™	
	JVM1190SY	JVM1190WY JVM1190CB JVM1190AY JVM1190BY
Capacity		
Oven cavity (cu. ft.)	1.1	1.1
Features		
Watts (IEC-705 Test Procedure)	825	825
Electronic Touch Controls	●	●
SmartControl System w/Interactive Display	●	●
Electronic scrolling digital display w/Clock and AM/PM Pad	●	●
Variable Scroll Speed	●	●
Help Pad	●	●
Concurrent programming	●	●
Display On/Off	●	●
Sensor Controls		
Beverage	●	●
Popcorn	●	●
Reheat	●	●
Vegetables (Canned/Fresh/Frozen)	●	●
Convection Controls		
Convection Broil	Hi/Lo	Hi/Lo
Convection Bake	●	●
Combination Roast	●	●
Sensor Combination	Chicken, Fish, Potato	Chicken, Fish, Potato
Combination Bake	Hi/Lo	Hi/Lo
Express Cook (1-6 minutes)	●	●
Instant On Controls	●	●
Time Cook	I & II	I & II
Add 30 Seconds	●	●
Temp Cook	●	●
Auto Defrost/Time Defrost	●	●
Power levels	10	10
Delay Start	●	●
Surface light	●	●
Night Light	●	●
Programmable Night Light	●	●
Timer On/Off	●	●
Reminder	●	●
Variable Beeper Volume Control	●	●
Cooking Complete Reminder	●	●
Child Lock Out	●	●
Two-speed high-capacity exhaust fan	●	●
Appearance		
Color appearance*	SS	WW CC AA BB
Case color	Stainless Steel	White on white Bisque Almond on almond Black on black
Door Color	Stainless Steel	White on white Bisque Almond on almond Black on black
Designer-style handle	●	●
Weights & Dimensions		
Approx. shipping weight (lbs.)	98	98
WxHxD (in inches)	Cavity Exterior	18 x 8-1/16 x 12-1/2 29-15/16 x 15-1/2 x 14-1/4
Power/Ratings		
2450 Frequency (MHz)	●	●
Electrical input @ 120V	Watts Amperage	1300 12.5
Accessories		
Convection/Rack broil pan	●	●
Warranty		
Full One-Year In Home Warranty**	●	●
Limited Nine-Year Magnetron Warranty** (10 years total)	●	●

*SS = Stainless steel, WW = White on white, CC = Bisque, AA = Almond on almond, BB = Black on black.
**See written warranty for details.

Dimensions (in inches)



Ventilation Options

The SpacemakerPlus™ convection/microwave and Spacemaker microwave ovens are designed for adaptation to the following three types of ventilation:

Outside Exhaust (Vertical—as shown above)

Outside Exhaust (Horizontal)

Recirculating (Non-vented ductless—see Filter Kit Drawing, order JX81 or JX81A)

Requires 120V grounded outlet. Electrical receptacle must be located in cabinet above SpacemakerPlus™ microwave/convection and Spacemaker microwave ovens. No additional wiring, venting or cabinet rebuilding necessary in many cases. Complete detailed, easy-to-follow installation instructions and convenient full-size templates are packed with product.

Important: When installing these ovens over a range, allow minimum of 2" from bottom of microwave oven to top of range backguard to allow for removal of light covers.

Optional Accessories (Available at additional cost)

Filler Panel Kits

JX40WH, JX42WH,
JX46WH, JX48WH—White
JX40CT, JX48CT—Bisque
JX40AL, JX42AL,
JX46AL, JX48AL—Almond
JX41BL, JX42BL,
JX46BL, JX48BL—Black

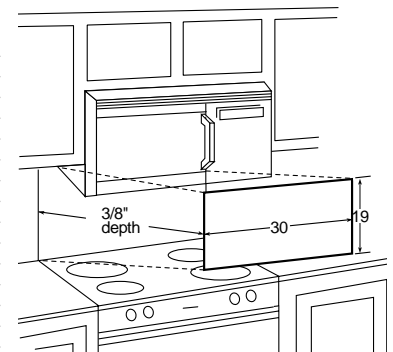
When replacing a 36" or 42" range hood, this kit fills in the additional width to provide a custom built-in appearance. For installation between cabinets only; not for end-of-cabinet installation. Each kit contains two 3"-wide filler panels. Two kits are needed for a 42" opening.

Filter Kits

JX81A—Recirculating Charcoal Filter Kit
To be used when the Spacemaker microwave oven cannot be vented to the outside.

JX81—Recirculating Charcoal Filter Kit
To be used when the SpacemakerPlus™ microwave/convection oven cannot be vented to the outside.

Model	Recirculating Charcoal Filter Kit	Filler Panel Kit	Decorative Panel Kit
JVM1190SY	JX81	JX41/42BL	JX22SS
JVM1190WY	JX81	JX40WH/42WH	JX22SS
JVM1190CB	JX81	JX40CT	JX22SS
JVM1190AY	JX81	JX40AL/42AL	JX22SS
JVM1190BY	JX81	JX41/42BL	JX22SS
JVM1660SB	JX81A	JX48BL	JX22SS
JVM1660WB	JX81A	JX48WH	JX22SS
JVM1660CB	JX81A	JX48CT	JX22SS
JVM1660AB	JX81A	JX48AL	JX22SS
JVM1660BB	JX81A	JX48BL	JX22SS
JVM1650WB	JX81A	JX48WH	JX22SS
JVM1650CC	JX81A	JX48CT	JX22SS
JVM1650AB	JX81A	JX48AL	JX22SS
JVM1650BB	JX81A	JX48BL	JX22SS
JVM1640WB	JX81A	JX48WH	JX22SS
JVM1640AB	JX81A	JX48AL	JX22SS
JVM1640BB	JX81A	JX48BL	JX22SS
JVM1630WB	JX81A	JX48WH	JX22SS
JVM1630BB	JX81A	JX48BL	JX22SS
JVM1420WB	JX81A	JX46WH/46WH	JX22SS
JVM1420BB	JX81A	JX41/46BL	JX22SS



JX22SS—Stainless Steel Decorative Panel Kit

When replacing a Hi/Low range with a SpacemakerPlus™ microwave/convection oven or Spacemaker over a range model, this panel kit fills in the area between the microwave and range left by the Hi/Low model.

This information is not intended to be used for installing unit described. Before installing, consult installation instructions packed with product/kit for current dimensional data.



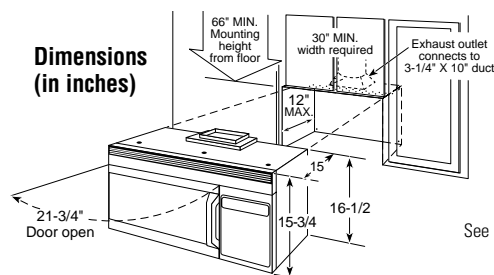
Spacemaker XL Over-The-Range Microwave Ovens

	GE Profile™		GE						
	JVM1660SB JVM1660WB JVM1660CB	JVM1660AB JVM1660BB	JVM1651WB* JVM1650WB JVM1651CC* JVM1650CC	JVM1651AB* JVM1650AB	JVM1651BB* JVM1650BB	JVM1640WB JVM1640AB/BB	JVM1631WB* JVM1630WB	JVM1631BB* JVM1630BB	JVM1420WB JVM1420BB
Capacity									
Oven cavity (cu. ft.)	1.6	1.6	1.6	1.6	1.6	1.6	1.6	1.6	1.4
Features									
Watts (IEC-705 Test Procedure)	1000	1000	1000	1000	1000	1000	1000	1000	950
Electronic touch controls	•	•	•	•	•	•	•	•	•
SmartControl System w/Interactive Display	•	•	•	•	•	•	•	•	•
Electronic scrolling digital display	•	•	•	•	•	•	•	•	•
Demo Mode	•	•	•	•	•	•	•	•	•
Clock and AM/PM Pad	•	•	•	•	•	•	•	•	•
Clock Saver	•	•	•	•	•	•	•	•	•
Variable Scroll Speed	•	•	•	•	•	•	•	•	•
Help Pad	•	•	•	•	•	•	•	•	•
Concurrent programming	•	•	•	•	•	•	•	•	•
Display On/Off	•	•	•	•	•	•	•	•	•
Sensor Controls									
Beverage	•	•	•	•	•				
Chicken	•	•							
Fish	•	•							
Meats	•	•							
Popcorn	•	•	•	•	•				
Potatoes	•	•	•	•	•				
Reheat	•	•	•	•	•				
Vegetables	•	•	•	•	•				
Appointment Scheduler Pad	•	•							
Custom Pads (2)	•	•							
Message Center	•	•							
Convenience Controls									
Beverage Pad						•	•	•	•
Cook Pad			•	•	•				
Popcorn Pad						•	•	•	•
Reheat Pad						•	•	•	•
Snacks Pad			•	•	•				
Express Cook (1-6 min.)	•	•	•	•	•	•	•	•	•
Instant On Controls	•	•	•	•	•	•	•	•	•
Time Cook	I & II	I & II	I & II	I & II	I & II	I & II	I & II	I & II	I & II
Add 30 Seconds	•	•	•	•	•	•	•	•	•
Temp. Cook/Roast (Probe)	•	•	•	•	•	•	•	•	•
Auto Defrost/Time Defrost	•	•	•	•	•	•	•	•	•
Power levels	10	10	10	10	10	10	10	10	10
Delay Start	•	•	•	•	•	•	•	•	•
Reminder	•	•	•	•	•	•	•	•	•
CircuWave™ 1000 Cooking System	•	•	•	•	•	•	•	•	•
CircuWave™ Plus Cooking System									•
Two Cooking Racks	•	•							
Dual Rack	•	•	•	•	•	•	•	•	•
Turntable On/Off	•	•	•	•	•	•	•	•	•
Full-View cooktop lighting	•	•	•	•	•	•	•	•	•
Night light	•	•	•	•	•	•	•	•	•
Programmable nite light	•	•	•	•	•	•	•	•	•
Timer On/Off	•	•	•	•	•	•	•	•	•
Beeper sound level control	•	•	•	•	•	•	•	•	•
Cooking Complete Reminder	•	•	•	•	•	•	•	•	•
Child lock out	•	•	•	•	•	•	•	•	•
Two-speed high-capacity exhaust fan	300 CFM	300 CFM	300 CFM	300 CFM	300 CFM	300 CFM	300 CFM	300 CFM	300 CFM
Easy Mount Installation	•	•	•	•	•	•	•	•	•
Appearance									
Color appearance**	SS/WW/CC	AA/BB	WW/CC	AA	BB	WW/AA/BB	WW	BB	WW/BB
Case color	Stainless/White/Bisque	Almond/Black	White/Bisque	Almond	Black	White/Almond/Black	White	Black	White/Black
Designer-style handle		•		•	•	•	•	•	•
Big View window	•	•	•	•	•	•	•	•	•
Weights & Dimensions									
Approx. shipping weight (lbs.)	67	67	67	67	67	67	67	67	67
WxHxD Cavity (inches)	20-1/4 x 9-9/32 x 14-13/32								††
Exterior †	29-7/8 x 16-15/32 (rear) x 15-1/16								††
Power/Ratings									
2450 Frequency (MHz)	•	•	•	•	•	•	•	•	•
Electrical input @ 120V	1480	1480	1480	1480	1480	1480	1480	1480	1480
Amperage	15	15	15	15	15	15	15	15	15
Warranty									
Full One-Year In-Home Warranty‡	•	•	•	•	•	•	•	•	•
Limited Nine-Year Magnetron Warranty‡ (10 years total)	•	•	•	•	•	•	•	•	•

* Non-vented model.
 ** SS = Stainless steel, WW = White on white, CC = Bisque, AA = Almond on almond, BB = Black on black.
 † Exterior dimensions: depth excludes handle.
 †† Model JVM1420-Cavity: 19-5/16 x 9-5/16 x 13-3/16 Exterior: 29-7/8 x 16-1/2 (rear) x 14-15/16.
 ‡ See warranty for details.

NOTE: Convenience Popcorn Pad designed for use with 3 packages sizes—3.5, 3.0 and 1.75 oz.

This information is not intended to be used for installing unit described. Before installing, consult installation instructions packed with product/kit for current dimensional data.



See page 151 for warranty information.

Microwave Wall Ovens

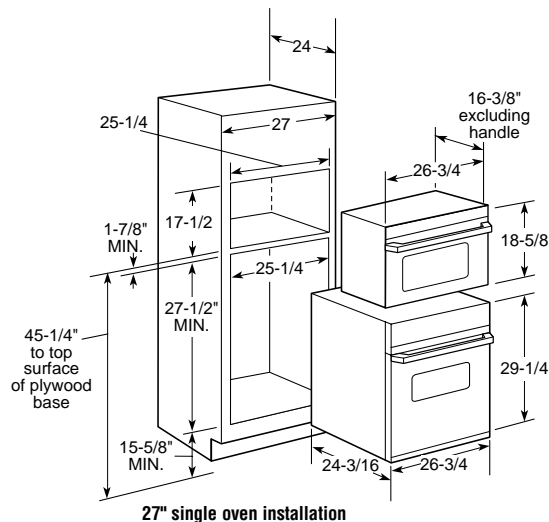
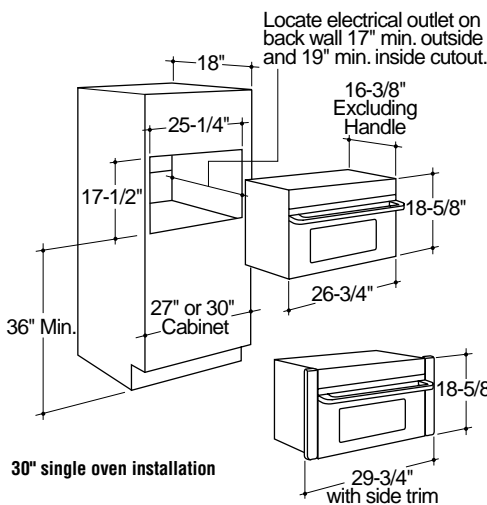
	GE Profile Performance Series™			GE Profile™	
	Convection/Microwave Oven			Microwave Oven	
	JEB1095SB	JEB1095WB	JEB1095BB	JEB1055WB	JEB1055BB
Capacity					
Oven cavity (cu. ft.)	1.0	1.0	1.0	1.0	1.0
Features					
Watts (IEC-705 Test Procedure)	800	800	800	800	800
Electronic Touch Controls	●	●	●	●	●
Electronic digital display w/clock	●	●	●	●	●
Beverage	Sensor	Sensor	Sensor	Sensor	Sensor
Cook	Sensor	Sensor	Sensor	Sensor	Sensor
Popcorn	Sensor	Sensor	Sensor	Sensor	Sensor
Reheat	Sensor	Sensor	Sensor	Sensor	Sensor
Convection Cook	●	●	●		
Combination Cook	●	●	●		
Combination Roast (Probe)	●	●	●		
Express Cook	●	●	●		●
Instant On Controls	●	●	●	●	●
Time Cook	I & II	I & II	I & II	I & II	I & II
Add 30 Seconds	●	●	●	●	●
Temp Cook/Hold (Probe)	●	●	●	●	●
Auto Roast (Probe)	●	●	●	●	●
Auto Defrost/Time Defrost	●	●	●	●	●
Power levels	10	10	10	10	10
Delay/Start Reminder	●	●	●	●	●
Minute Pad	●	●	●	●	●
Program cooking	5 Stage	5 Stage	5 Stage	5 Stage	5 Stage
Kitchen timer	99-M./99-S. Digital	99-M./99-S. Digital	99-M./99-S. Digital	99-M./99-S. Digital	99-M./99-S. Digital
Variable Beeper Volume	●	●	●	●	●
Cooking Complete Reminder	●	●	●	●	●
Appearance					
Color appearance*	SS	WW	BB	WW	BB
Designer-style handle	●	●	●	●	●
Weights & Dimensions					
Approx. shipping wt. (lbs.)	84	84	84	75	75
WxHxD	Cavity	← 18x8-3/16x11-1/2 →			
(in inches)	Exterior†	← 26-3/4x18-5/8x16-3/8 →			
Power/Ratings					
2450 Frequency (MHz)	●	●	●	●	●
Electrical input	Watts	1450	1450	1450	1450
@ 120V	Amperage	13.0	13.0	13.0	13.0
Accessory					
Deluxe cookbook	●	●	●	●	●
Wire oven rack	●	●	●	●	●
30" trim kit (included)	●	●	●	●	●
Warranty					
Full One-Year In-Home Warranty**	●	●	●	●	●
Limited Nine-Year Magnetron Warranty** (10 years total)	●	●	●	●	●

*SS = Stainless steel, WW = White on white, BB = Black on black.

**See written warranty for details.

†Exterior dimensions: depth excludes handle.

Cut-Out and Dimensional Information (in inches)



This information is not intended to be used for installing unit described. Before installing, consult installation instructions packed with product/kit for current dimensional data.

See page 151 for warranty information.

Countertop Microwave Ovens

	GE Profile Performance Series™	GE Profile™	GE	GE Profile™	GE	GE Profile™	GE	GE Profile™	GE	
	Convection/Microwave	Extra-large		Full-size		Family-size		Mid-size		Compact
	JE1390WA JE1390GA	JE1860SB JE1860WB JE1860CB JE1860GB	JE1840WB JE1840GB	JE1660WB JE1660GB	JE1640WB JE1640AB JE1640GB	JE1360WB JE1360GB	JE1340WB JE1340GB	JE1060WB JE1060GB	JE1040WB JE1040GB	JE740WY JE740GY
Capacity										
Oven cavity (cu. ft.)	1.3	1.8	1.8	1.6	1.6	1.3	1.3	1.0	1.0	.7
Features										
Watts (IEC-705 Test Procedure)	850	1100	1100	1100	1100	1100	1100	1100	1100	700
Electronic Touch Controls	●	●	●	●	●	●	●	●	●	●
Scrolling Display with Help Pad		●	●	●	●	●	●	●	●	●
Demo Mode		●	●	●	●	●	●	●	●	●
Electronic digital display w/clock	●	●	●	●	●	●	●	●	●	●
Display On/Off	●	●	●	●	●	●	●	●	●	●
Beverage Pad	Sensor	Sensor	●	Sensor	●	Sensor	●	Sensor	●	●
Cook Pad	Sensor		●		●		●		●	●
Chicken/Fish Pad		Sensor		Sensor		Sensor		Sensor		
Potato Pad		Sensor		Sensor		Sensor		Sensor		
Vegetable Pad		Sensor		Sensor		Sensor		Sensor		
Popcorn Pad	Sensor	Sensor	●	Sensor	●	Sensor	●	Sensor	●	●
Reheat Pad	Sensor	Sensor	●	Sensor	●	Sensor	●	Sensor	●	●
Snacks Pad			●		●		●		●	●
Convection Cook	●									
Combination Cook	●									
Combination Roast	●									
Express Cook	●	●	●	●	●	●	●	●	●	●
Instant On Controls	●	●	●	●	●	●	●	●	●	●
Time Cook	I & II	I & II	I & II	I & II	I & II	I & II	I & II	I & II	I & II	I & II
Add 30 Seconds	●	●	●	●	●	●	●	●	●	●
Temp Cook/Hold (probe)	●									
Auto Defrost	●	●	●	●	●	●	●	●	●	●
Time Defrost	●	●	●	●	●	●	●	●	●	●
Power levels	10	10	10	10	10	10	10	10	10	10
SmartRack	●									
Turntable	●	●	●	●	●	●	●	●	●	●
Turntable On/Off		●								
Kitchen timer	99-M./99-S.	Timer On/Off	99-M./99-S.	Timer On/Off	99-M./99-S.	Timer On/Off	99-M./99-S.	Timer On/Off	99-M./99-S.	99-M./99-S.
Delay Start/Reminder	●	●	●	●	●	●	●	●	●	●
Sound On/Off	●		●	●	●	●	●	●	●	●
Variable Beeper Control		●		●		●		●		●
Cooking Complete Reminder	●	●	●	●	●	●	●	●	●	●
Child lock out	●	●	●	●	●	●	●	●	●	●
Appearance										
Color appearance*	WW BB	SS WW CC BB	WW BB	WW BB	WW AA BB	WW BB	WW BB	WW BB	WW BB	WW BB
Case color	White Greystone	Greystone White Bisque Greystone	White Greystone	White Greystone	White Almond Greystone	White Greystone	White Greystone	White Greystone	White Greystone	White Greystone
Door color	White Black	Stainless Steel White Bisque Black	White Black	White Black	White Almond Black	White Black	White Black	White Black	White Black	White Black
Weights & Dimensions										
Approx. shipping wt. (lbs.)	64	48	48	50	50	42	42	43	39	33
Cavity	14-1/2 x 10-1/8 x 14-1/2	17-1/16 x 9-3/4 x 18-3/8	17-1/16 x 10-3/8 x 18-3/8	16-1/2 x 9-23/32 x 16-27/32		14-3/4 x 9-1/4 x 16		13-11/16 x 8-1/2 x 14-15/16		12-1/16 x 7-11/16 x 12-1/16
WxHxD (in inches)	Exterior † 22-1/4 x 14-7/8 x 19-7/8	23-7/8 x 13-1/2 x 19-1/4		23-21/32 x 13-5/16 x 18-5/16		21-7/8 x 12-5/8 x 17-1/4		20-1/2 x 11-7/8 x 15-7/8		19-1/4 x 10-13/16 x 13-9/16
Power/Ratings										
2450 Frequency (MHz)	●	●	●	●	●	●	●	●	●	●
Electric Watts	1500	1550	1550	1500	1500	1550	1550	1500	1500	1150
input @ 120V Amperage	14.0	13.6	13.6	13.0	13.0	13.3	13.3	13.0	13.0	10.5
Accessories										
Optional built-in kit	JX1330MWW/ JX1327MWW/ JX1330MBV/ JX1327MBV	JX1830SB/ JX1827SB JX1830WB/ JX1827WB JX1830CB/ JX1827CB JX1830BB/ JX1827BB	JX1830SB/ JX1827SB JX1830WB/ JX1827WB JX1830BB/ JX1827BB	JX1530MWW/ JX1527MWW/ JX1530MBW/ JX1527MBW	JX1530MAW/ JX1527MAW/ JX1530MWW/ JX1527MWW/ JX1530MBW/ JX1527MBW					
Optional hanging kit										Pub. No. 4-A019
Warranty										
Full One-Year Warranty**	In-Home	In-Home	In-Home	In-Home	In-Home	Carry-In	Carry-In	Carry-In	Carry-In	Carry-In
Limited Nine-Year Magneton Warranty** (10 years total)	●	●	●	●	●	●	●	●	●	●

*SS = Stainless Steel, WW = White on white, CC = Bisque, AA = Almond on almond, BB = Black on black.
 **See written warranty for details.
 †Exterior dimensions: height includes feet.

Note: Refer to page 207 for information on Trim Kits (Available at additional cost)

Refrigeration
Cooking Products
Microwave Ovens
Dishwashers
Clothes Care
Water Systems
Air Conditioning

Spacemaker II™ Microwave Ovens

	GE Profile™		GE	
	JEM31SA	JEM31WA JEM31GA	JEM25WY	JEM25GY
Capacity				
Oven cavity (cu. ft.)	.9	.9	.9	.9
Features				
Watts (IEC-705 Test Procedure)	800	800	800	800
Electronic Touch Controls	●	●	●	●
Scrolling Display with Help	●	●		
Electronic digital display w/clock	●	●	●	●
Beverage	Sensor	Sensor	●	●
Cook	Chicken/Fish Potato Vegetable Sensor	Chicken/Fish Potato Vegetable Sensor	●	●
Popcorn	Sensor	Sensor	●	●
Reheat	Sensor	Sensor	●	●
Snacks			●	●
Express Cook	●	●	●	●
Instant On Controls	●	●	●	●
Time Cook I & II	●	●	●	●
Add 30 Seconds	●	●	●	●
Auto Defrost/Time Defrost	●	●	●	●
Power levels	10	10	10	10
Kitchen timer	Timer On/Off	Timer On/Off	99-M./99-S.	99-M./99-S.
Beeper Volume	●	●		
Sound On/Off			●	●
Cooking Complete Reminder	●	●	●	●
Delay Start/Reminder	●	●	●	●
Child Lock Out	●	●	●	●
Appearance				
Color appearance*	SS	WW BB	WW	BB
Door color	Stainless Steel	White Black	White	Black
Case color	Stainless Steel	White Greystone	White	Greystone
Weights & Dimensions				
Approx. shipping wt. (lbs.)	41	41	41	41
WxHxD Cavity	← 16-1/2 x 7-7/16 x 11-1/4 →			
(in inches) Exterior††	← 23-25/32 x 11-3/16 x 12-9/32 →			
Power/Ratings				
2450 Frequency (MHz)	●	●	●	●
Electrical input Watts	1300	1300	1300	1300
@ 120V Amperage	11.5	11.5	11.5	11.5
Accessories				
Hanging kit (Pub. No. 4-A019)**	Optional	Optional	Optional	Optional
Optional built-in kit	JX827WN	JX827BN/ JX827SS	JX827WN	JX827BN/ JX827SS
Warranty				
Full One-Year Warranty†	In-Home	In-Home	Carry-In	Carry-In
Nine-Year Magnetron Warranty† (10 years total)	Limited	Limited	Limited	Limited

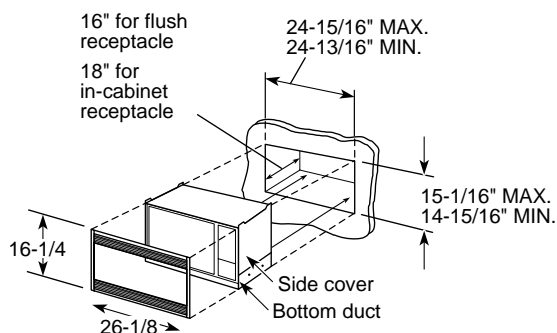
*SS = Stainless Steel, WW = White on white, BB = Black on black.

**Pub. No. 4-A019 is available at additional cost.

†See written warranty for details.

††Exterior dimensions: height includes feet.

Cut-Out Dimensions (in inches)



Trim Kits for .9 Microwave Ovens (Available at additional cost)

For a custom built-in appearance, this kit allows built-in installation of the Spacemaker II™ microwave oven into a wall or cabinet alone, and is U.L.-approved for installation over a GE single electrical wall oven. This kit should not be installed over a gas wall oven.

JX827BN—JEM31GA/JEM25GY, JX827WN—JEM31WA/JEM25WY
JX827SS—JEM31SA/JEM31GA/JEM25GY

See page 151 for warranty information.

Countertop/Compact/Subcompact Microwave Ovens

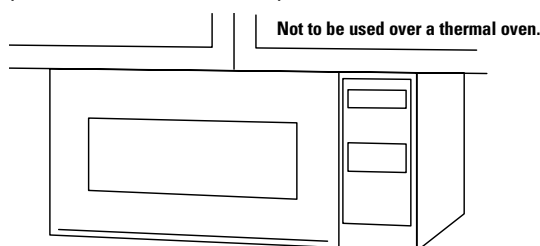
	GE			
	JE710BA	JE835WW JE635WW	JE520WC JE520BW	JE510WC JE510BW
Capacity				
Oven cavity (cu. ft.)	.7	.8 .6	.5	.5
Features				
Watts (IEC-705 Test Procedure)	600	800 600	600	600
Electronic Touch Controls		●		
Electronic digital display w/clock (LED)		●	●	
Mechanical Dial	●			●
Beverage Pad		●		
Popcorn Pad		●		
Frozen Pizza Pad		●		
Dinner Plate Pad		●		
Baked Potato Pad		●		
Vegetables Pad		●		
Soup Pad		—		
Instant On Controls		●		
Time Cook	15 Min.		●	15 Min.
Auto Defrost		●		
Time Defrost			●	
Power levels	1	10	10	1
Turntable	●	●	●	●
Quick Set		●		
Auto Start		●		
Child Lock Out		●		
Appearance				
Door color	Black	White	White/Black	White/Black
Case color	Black	White	White/Black	White/Black
Weights & Dimensions				
Approx. shipping wt. (lbs.)	29	33	29	29
WxHxD Cavity	11-7/8 x 7-5/8 x 12-1/2	12-5/8 x 8-1/2 x 13-3/16 11-3/8 x 7-7/8 x 11-5/8	11-3/32 x 6-11/16 x 11-7/32	
WxHxD (in inches) Exterior†	19 x 11 x 12-7/8	19-1/2 x 11-3/8 x 15-1/8 18-5/16 x 10-13/16 13-7/8	18-5/32 x 9-19/32 x 12-11/16	
Power/Ratings				
2450 Frequency (MHz)	●	●	●	●
Electrical input Watts	910	1200/920	950	950
@ 120V Amperage	8.5	10.5/8.0	8.5	8.5
Accessory				
Hanging kit (Pub. No. 4-A019)*	Optional		Optional	Optional
Warranty				
Full One-Year warranty**	Carry-In	Carry-In	Carry-In	Carry-In
Four-year Magnetron warranty** (Five years total)	●	●	●	●

*Pub. No. 4-A019 is available at additional cost.

**See written warranty for details.

†Exterior dimensions: height includes feet.

Undercabinet Mounting Kit Pub. No. 4-A019 For Spacemaker II™ Compact and Subcompact Microwave Oven Models (Available at additional cost)



Undercabinet Installation

Install Spacemaker II™ Compact and Subcompact microwave ovens in just a few easy steps with the mounting template, which provides all the necessary measurements.* These microwave ovens can be installed on practically any wood or metal cabinets.

*Installation may vary depending on cabinets.

Note: 120V, 60-cycle, grounded power receptacle location optional on back within cabinet opening.

This information is not intended to be used for installing unit described. Before installing, consult installation instructions packed with product/kit for current dimensional data.

Trim Kits

Optional Trim Kits for 1.3 GE Profile Performance™ Microwave Ovens (Available at additional cost)

For a custom built-in appearance, these kits allow built-in installation of the 1.3 countertop microwave oven into a wall or cabinet alone and are U.L.-approved for installation over a GE single electric wall oven. These kits should not be installed over a gas wall oven.

Note: 120V, 60-cycle, grounded power receptacle location optional on back within cabinet opening.

30" Deluxe Trim Kits

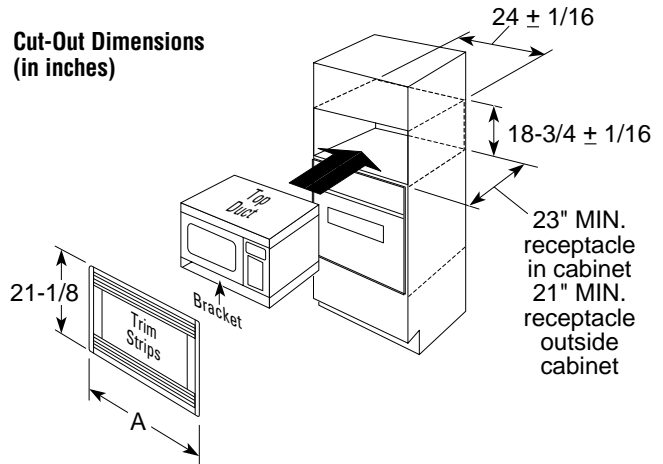
JX1330MWW—White
JX1330MBV—Black

Model	"A"	30" Deluxe Trim Kit
JE1390WA	29-3/4"	JX1330MWW
JE1390GA	29-3/4"	JX1330MBV

27" Deluxe Trim Kits

JX1327MWW—White
JX1327MBV—Black

Model	"A"	27" Deluxe Trim Kit
JE1390WA	26-3/4"	JX1327MWW
JE1390GA	26-3/4"	JX1327MBV



Optional Trim Kits for 1.6 GE Profile™ and GE Microwave Ovens (Available at additional cost)

For a custom built-in appearance, these kits allow built-in installation of the 1.6 countertop microwave oven into a wall or cabinet alone and are U.L.-approved for installation over a GE single electric wall oven. These kits should not be installed over a gas wall oven.

30" Deluxe Trim Kits

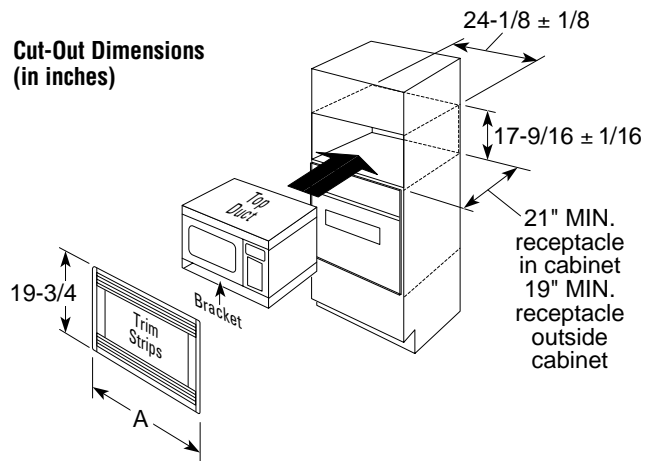
JX1530MWW—30" White
JX1530MAW—30" Almond
JX1530MBW—30" Black

Model	"A"	30" Deluxe Trim Kit
JE1660WB	29-3/4"	JX1530MWW
JE1660GB	29-3/4"	JX1530MBW
JE1640WB	29-3/4"	JX1530MWW
JE1640AB	29-3/4"	JX1530MAW
JE1640GB	29-3/4"	JX1530MBW

27" Deluxe Trim Kits

JX1527MWW—27" White
JX1527MAW—27" Almond
JX1527MBW—27" Black

Model	"A"	27" Deluxe Trim Kit
JE1660WB	26-3/4"	JX1527MWW
JE1660GB	26-3/4"	JX1527MBW
JE1640WB	26-3/4"	JX1527MWW
JE1640AB	26-3/4"	JX1527MAW
JE1640GB	26-3/4"	JX1527MBW



Optional Trim Kits for 1.8 GE Profile™ and GE Microwave Ovens (Available at additional cost)

For a custom built-in appearance, these kits allow built-in installation of the 1.8 countertop microwave oven into a wall or cabinet alone and are U.L.-approved for installation over a GE single electric wall oven. These kits should not be installed over a gas wall oven.

30" Deluxe Trim Kits

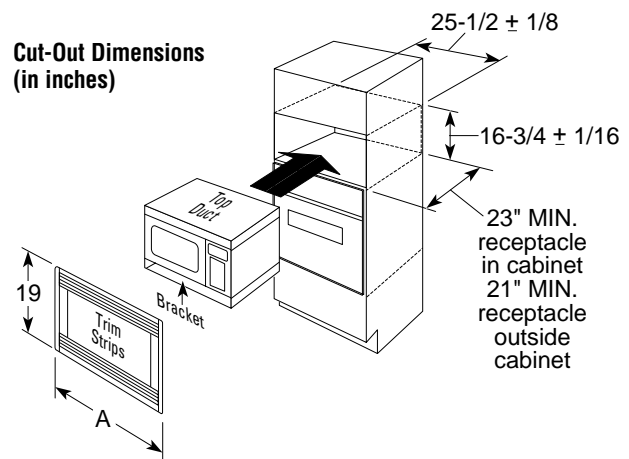
JX1830SB—30" Stainless Steel
JX1830WB—30" White
JX1830CB—30" Bisque
JX1830BB—30" Black

Model	"A"	30" Deluxe Trim Kit
JE1860SB	29-3/4"	JX1830SB
JE1860WB	29-3/4"	JX1830WB
JE1860CB	29-3/4"	JX1830CB
JE1860GB	29-3/4"	JX1830BB
JE1840WB	29-3/4"	JX1830WB
JE1840GB	29-3/4"	JX1830BB

27" Deluxe Trim Kits

JX1827SB—27" Stainless Steel
JX1827WB—27" White
JX1827CB—27" Bisque
JX1827BB—27" Black

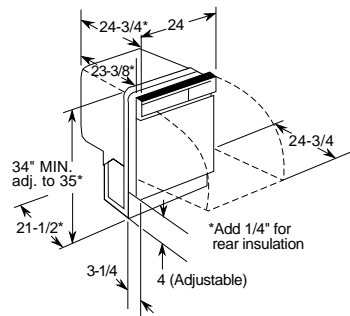
Model	"A"	27" Deluxe Trim Kit
JE1860SB	26-7/8"	JX1827SB
JE1860WB	26-7/8"	JX1827WB
JE1860CB	26-7/8"	JX1827CB
JE1860GB	26-7/8"	JX1827BB
JE1840WB	26-7/8"	JX1827WB
JE1840GB	26-7/8"	JX1827BB



Features	GE Profile Performance Series™		GE Profile™	
	GSD5950DCC GSD5940DSS GSD5930DWW GSD5920DBB GSD5910DAA	GSD5650DCC GSD5640FSS GSD5630DWW GSD5620DBB GSD5610DAA	GSD5360FSS GSD5350DCC GSD5330DWW GSD5320DBB GSD5310DAA	GSD5130DWW GSD5120DBB GSD5110DAA
Wash System				
TriClean™ Wash System	●	●	●	●
Dual Pumps	●	●	●	●
3 wash arms – 6 levels	●	●	●	●
Triple Water Filtration system	100%	100%	100%	100%
Piranha™ Hard Food Disposer	●	●	●	●
CleanSensor	●	●	●	●
Cycles	Variable	Variable	5	4
Pots & Pans	●	●	●	●
Normal Wash	●	●	●	●
Light Wash	●	●	●	●
China/Crystal	●	●	●	●
SpeedWash™	●	●	●	●
SaniWash	●	●	●	●
Rinse only	●	●	●	●
Options	Variable	Variable	34	26
Child Lock Option	●	●	●	●
Delay Start	2-4-8-Hour	2-4-8-Hour	2-4-8-Hour	4-6-8-Hour
Heated Dry On/Off	●	●	●	●
Speed Dry™	●	●	●	●
Hi-Temp Wash	●	●	●	●
Hi-Temp Rinse	●	●	●	●
Power Pre-Soak	●	●	●	●
Racks, shelf & basket				
Upper Rack	Super w/2 Rows of Fold-Down Tines	Super	Super	Super
Lower Rack	Super w/4 Rows of Fold-Down Tines	Super w/2 Rows of Fold-Down Tines	Super w/2 Rows of Fold-Down Tines	Super
SmartShelf	with StemSafe	●	●	●
Silverware Basket	Super Capacity Plus w/2 cell covers	Super Capacity Plus w/2 cell covers	Super Capacity w/2 cell covers	Super Capacity w/1 cell cover
Control type	Electronic	Electronic	Electronic	Electronic
Cycle progress indicators	6 LEDs	6 LEDs	1 "Clean"	1 "Clean"
Touchpads	11	10	11	10
Rinse Aid dispenser	with Indicator	with Indicator	with Indicator	with Indicator
Center throw door latch	●	●	●	●
Economical & Quiet				
Quiet				
Sound insulation package	QuietPower™ III	QuietPower™ III	QuietPower™ III	QuietPower™ II
PermaTuf™ Tub and door liner	●	●	●	●
GE Profile™ QuietMotor	●	●	●	●
Tub collar trim	●	●	●	●
ActiveVent	●	●	●	●
Quiet Water Valve	●	●	●	●
Appearance				
Colors available*	CC, SS, WW, BB, AA	CC, SS, WW, BB, AA	SS, CC, WW, BB, AA	WW, BB, AA
Color panels—Door & Access	Trimless	Trimless	Trimless	Trimless
Weights & Dimensions				
Approx. shipping weight (lbs.)	100	100	100	100
Height w/legs retracted (in.)	34	34	34	34
Overall width (in.)	24	24	24	24
Overall depth (in.)	24-3/4	24-3/4	24-3/4	24-3/4
Accessories				
Requires kit for 1/4" panel capability with trim	GPF425C/W/B/A	GPF425C/W/B/A	GPF425C/W/B/A	GPF425W/B/A
Requires kit for trimless 3/4" panel capability	GPF475	GPF475	GPF475	GPF475

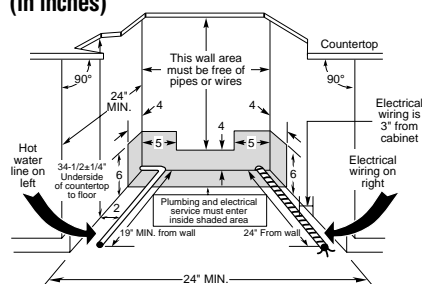
All GE Profile Performance™ and GE Profile™ Dishwashers are equipped with the following: 120°F inlet water capability, Easy-Glide roller system, convection drying, horizontal mechanism, leveling screws.
 *Colors available: CC = Bisque, SS = Stainless Steel, WW = White on white, BB = Black on black, AA = Almond on almond.

Built-In Dishwasher Dimensions (in inches)



See page 151 for warranty information.

Built-In Dishwasher Installation Information (in inches)



Note: Dishwasher must not be installed more than 10 feet from sink for proper drainage. All plumbing and electrical work must be in accordance with local codes.

Note: If a flush look is needed, a 25" base cabinet needs to be used.

Dishwasher Panel Kits and Accessories:

GE Profile™ models: GSD5300 and 5100 Series.
 GE Profile Performance™ models: GSD5900 and 5600 Series.

- GPF400C/S/W/B/A—panel kit
- GPF600C/W/B/A—trimless door panel

GE Profile Performance™ and GE Profile™ (all above listed models):

- GPF700C/W/B/A—trimless access panel

Note: C = Bisque, S = Stainless Steel, W = White, B = Black, A = Almond

Wood Panel Capability:

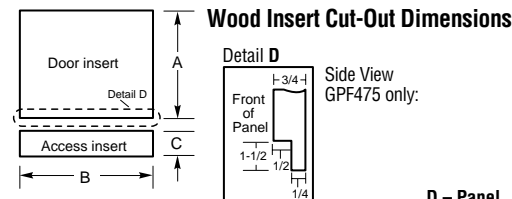
GPF475—GE Profile Performance™ and GE Profile™

3/4" trimless panel kit (door and access

[GPF100—heavy-duty spring kit included])

GPF425A/B/W/C—GE Profile Performance™ and GE Profile™

1/4" panel trim kit (door and access)



Models/Kit	A	B	C	D – Panel Thickness
GE Profile Performance™ and GE Profile™ models/GPF425	19-3/4"	23-9/16"	3-11/16"	1/4"
GE Profile Performance™ and GE Profile™ models/GPF475	19-7/8"	23-5/8**	4-1/4" to 3-11/16***	3/4"

*Bottom of panel must be notched 1-1/2" x 1/2" to clear access panel. (See illustration above)

**Adjustment required to match adjacent cabinet fronts due to leveling adjustment, 4" nominal.



Listed by Underwriters Laboratories

Electrical Rating

Voltage AC 120
 Hertz 60
 Total connected load amperage 8.6
 Calrod® heater watts 500
 For use on adequately wired 120-volt, 15-amp circuit having 2-wire service with a separate ground wire. This appliance must be grounded for safe operation.

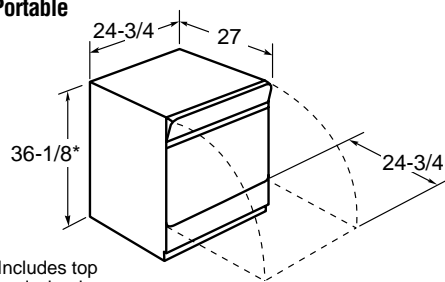
GE Convertible/Portable Dishwashers

	GE	
	GSC3430ZWW GSC3400ZBL	GSC3230ZWW GSC3200ZBL
Features		
Wash System		
SureClean™ Wash System	●	●
Wash levels	3	3
Filtration System	Dual	
Piranha™ Hard Food Disposer	●	
Cycles	6	5
POTSCRUBBER	●	●
Normal Wash	●	●
Light Wash	●	
Short Wash	Dial	Dial
Plate Warmer	Dial	Dial
Rinse Only/Hold	Dial	Dial
Options	19	14
Delay Start	1-6-Hour	
Heated Dry On/Off	●	●
Hi-Temp Wash	●	●
Racks (upper/lower)	Deluxe	Deluxe
Silverware basket	Deluxe w/1 cell cover	Deluxe
Cycle progress indicator	1 "Cycle On"	Dial
Pushbuttons	7	6
Rinse Aid dispenser	with Indicator	●
Economical/Quiet		
Quiet		
Sound insulation package	QuietPower™ I	Standard
PermaTuf™ Tub and door liner	●	●
GE QuietMotor	●	●
GE Motor	●	●
Sealed toe kick	●	
Appearance		
Colors available*	WW, BL	WW, BL
Color panels—Door & Access	Trimless	Trimless
Decorative wood laminate top	Grey/Woodgrain	Grey/Woodgrain
Weights & Dimensions		
Approx. shipping wt (lbs.)	147	147
Overall height w/legs extended (in.)	36-1/8*	36-1/8*
Overall width (in.)	24-3/4	24-3/4
Overall depth (in.)	27	27

*Colors available: WW = White on white, BL = Black control panel and front panels w/almond side panels.

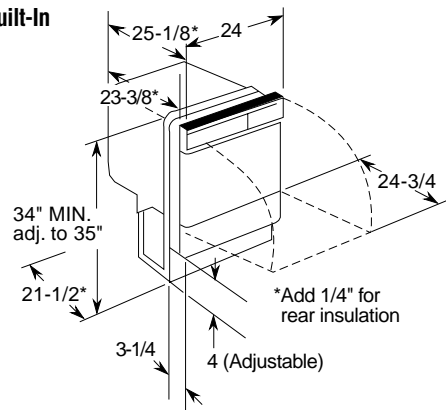
Dimensions (in inches) GSC3230ZWW, GSC3200ZBL, GSC3430ZWW and GSC3400ZBL

Portable



*Includes top and wheels

Built-In



*Add 1/4" for rear insulation

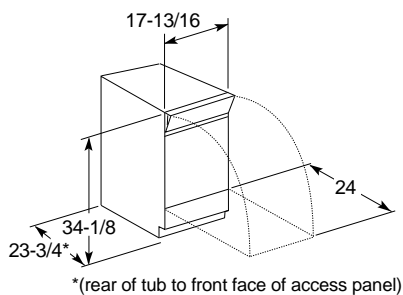
Important Note: GE kit number WD35M34 needed when adapting GE convertible dishwasher to a built-in installation. Contains built-in dishwasher water valve, hardware and complete instructions for changing a GE convertible dishwasher for under-the-counter installation.

GE Spacemaker® Built-In 18" Dishwasher

	GE	
	GSS1800Z	
Features		
Wash System		
Wash levels	2	
Cycles	4	
Pots & Pans	Dial	
Normal Wash	Dial	
Light Wash	Dial	
Rinse Only/Hold	Dial	
Options	6	
Heated Dry On/Off	Rocker	
Racks (upper/lower)	Standard	
Silverware basket	Standard	
Control type	Turn-To-Start	
Cycle progress indicator	Dial	
Rinse Aid dispenser	●	
120°F @ inlet water capability	●	
Leveling screws	●	
Economical/Quiet		
Tub Insulation	Standard	
Appearance		
Colors available	Black/Almond/White	
Color panels	2 Reversible: Black/Harvest; Almond/White	
Weights & Dimensions		
Approx. shipping weight (lbs.)	70	
Height w/legs retracted (in.)	34-1/8	
Overall width (in.)	17-13/16	
Overall depth (in.)	23-3/4	

Note: For trim kit to install wood panel up to 3/16" thick on GSS1800Z model only, order Pub. No. 5-A007.

Dimensions (in inches)



*(rear of tub to front face of access panel)

Dishwasher Rough-In Information

Note: Dishwasher must not be installed more than 10 feet from sink for proper drainage. All plumbing and electrical work must be in accordance with local codes.

Most of the installation work should be done before the dishwasher is moved into place. First, select a location as close to the sink as possible for ready access to water and drain lines. For proper operation and appearance of the dishwasher, the cabinet opening should be square and have dimensions as shown in Figure 1. If the dishwasher is to be installed in a corner, there must be sufficient clearance to open the door as shown in Figure 2. A minimum clearance of 2" is recommended.

Rough-in the water, electrical, and drain lines before proceeding with the installation. The lines should run straight to their connections on the dishwasher.

Note: Make sure that the lines do not cross in front of the dishwasher motor or its legs.

Figure 1

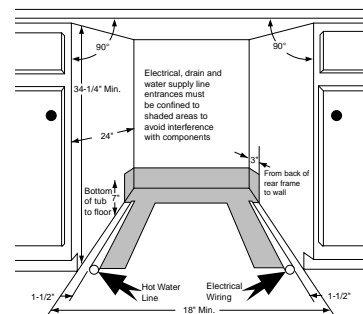
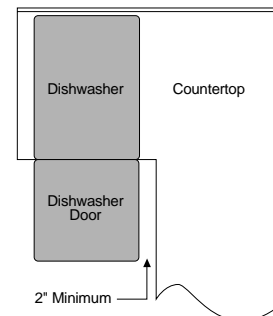


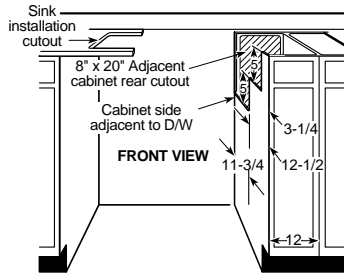
Figure 2



GE Spacemaker® Under-the-Sink Dishwasher

GE	
GSM2130DWW/GSM2110DAA	
Features	
Wash System	
Wash levels	2
Cycles	5
POTSCRUBBER	
Normal Wash	●
Short Wash	Dial
Plate Warmer	Dial
Rinse Only/Hold	Dial
Options	8
Heated Dry On/Off	●
Racks, shelf & basket	
Upper Rack	Spacemaker®
Lower Rack	Deluxe
Silverware basket	Deluxe
Control type	
Control type	Turn-To-Start
Cycle progress indicator	Dial
Pushbuttons	4
Rinse Aid dispenser	●
Economical/Quiet	
PermaTuf™ Tub and door liner	●
GE Motor	●
Appearance	
Colors available*	WW, AA
Door	Trimless
Color Panels Access	Trimless
Weights & Dimensions	
Approx. shipping weight (lbs.)	100
Height w/legs retracted (in.)	34
Overall width (in.)	24
Overall depth (in.)	24

Cabinet Cut-Out for Sink



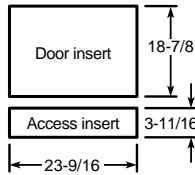
Cabinet cut-outs for offset single and double bowl sinks. Dishwasher not provided with complete enclosure. Enclosures for sides, top, bottom, and back must be provided by installer at time of installation.

Stainless Steel Sinks Single and Double Compartment Models (Dimensions in Inches)

Model Number	Overall Size		Inside Each Compartment		
	L	W	L	W	D
GPF95 (Single Bowl, R)*	25	21-1/4	21	15-3/4	5-3/8
GPF96 (Single Bowl, L)*	25	21-1/4	21	15-3/4	5-3/8
GPF97 (Double Bowl)	33	21-1/4	14	15-3/4	5-3/8

Model Number	Cutout In Countertop 1-1/2" Radius Corners		No. Of 1-1/2" Dia. Faucet Holes	Ship. Wt. Lbs.
	L	W		
GPF95 (Single Bowl, R)*	24-3/8	20-5/8	3 or 4**	10
GPF96 (Single Bowl, L)*	24-3/8	20-5/8	3 or 4**	10
GPF97 (Double Bowl)	32-3/8	20-5/8	3 or 4**	12-1/2

Note: Drain opening size is 3-1/2". Above models are fully sound deadened. *Suffix "L" or "R" means drain outlet is located in upper left or right corner of sink compartment. **All have four holes, but one hole has a removable plug.



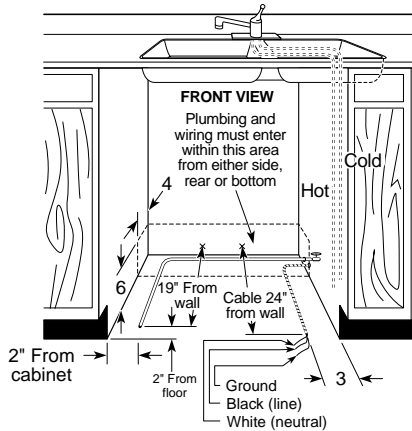
Wood Insert Cut-Out Dimensions (in inches)

Inserts must not exceed 1/4" thickness within 5/16" of edge around full circumference. Order GPF325 kit.

*Colors available: WW = White control panel with white front panels. AA = Almond control panel with almond front panels.

Note: Under-the-Sink dishwashers can be installed under GE cooktop models JP200V and JP201CV. Refer to cooktop installation instructions.

Plumbing/Electrical Rough-In



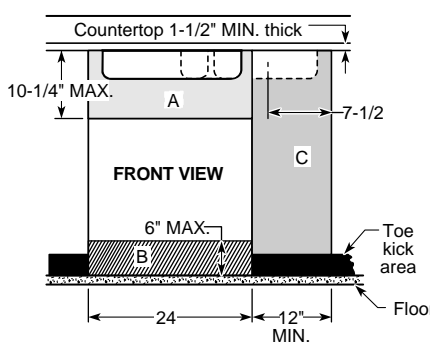
Plumbing: Hot Water Only: Use 3/8" O.D. copper tubing or 1/2" O.D. plastic tubing min. inlet line. Water valve has 3/8" internal threads. Hand cut-off valve is recommended.

Electrical: Fuse circuit with 15 amp or 20 amp standard fuse or circuit breaker. Total amp load is 8.6. Dishwasher operates on 120V, 60 Hz power. Two-wire cable (14 Ga. Min.) with ground must be installed.

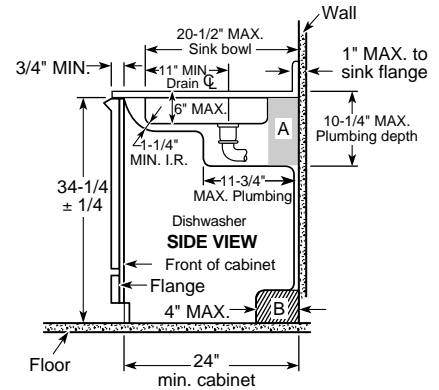
Note: All rough-in, both plumbing and electrical, must be completed before the dishwasher is installed. All plumbing and electrical work must be in accordance with local codes.

Specifications: Inlet Water Temperature Recommended: Minimum 120°F. at dishwasher. Inlet Water Pressure Required: 15 to 120 lbs./sq. in.

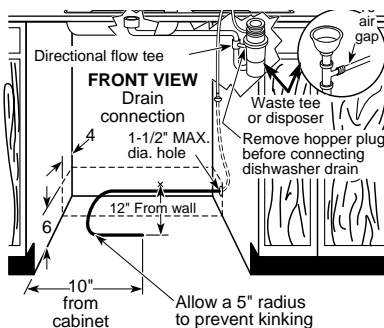
Cabinet Rough-In



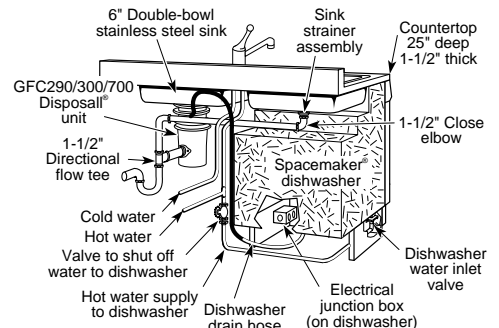
Either single- or double-bowl sink may be used, centered or offset, as shown in the front illustration above. The 20-1/2" max. dimension from wall to front of sink bowl must be accurate if dishwasher is to fit properly under sink. Water lines to sink faucet and drain from sink can be run through area "A." HOT WATER line to dishwasher is installed in area "B." Garbage disposer, water lines to faucet, trap, waste air gap and water cut-off valve are installed in 12" wide cabinet shown in area "C." Sink opening for garbage disposer must be dimensioned as shown in front view, area "C" above (7-1/2"). This will provide clearance for disposer and plumbing in cabinet "C" when using double bowl sink. If the sink bowl is more than 20-1/2" max. specified distance from the wall, or if the base cabinet is less than the 24" min. depth from the wall, a gap between the tub front flange and the front of the base cabinet may result.



Rough-In for Installation with Disposer



Rear View Plumbing Arrangement



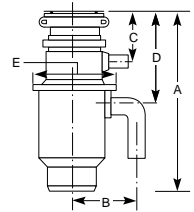
A close-fitting elbow or special shallow sink strainer is necessary to provide clearance between sink drain and dishwasher. Dishwasher furnished with 1/2" I.D. drain hose, 78" long. If using copper tubing, 2" length of 1/2" I.D. rubber hose must be provided to connect copper tubing to pump outlet. Disposer should have 7/8" I.D. dishwasher drain connector.

See page 151 for warranty information.

Disposers

Features	GE								
	Continuous Feed Models								Batch Feed Model
	GFC1000Y	GFC800Y	GFC705Y	GFC700Y	GFC305Y	GFC300Y	GFC295Y	GFC290Y	GFB1050V
Motor horsepower	3/4	1/2	1/2	1/2	1/2	1/2	1/3	1/3	3/4
Control method	Wall Switch	Wall Switch	Wall Switch	Wall Switch	Wall Switch	Wall Switch	Wall Switch	Wall Switch	Stopper
Feed type	Continuous	Continuous	Continuous	Continuous	Continuous	Continuous	Continuous	Continuous	Batch
Power connection	Direct Wire	Direct Wire	Line Cord	Direct Wire	Line Cord	Direct Wire	Line Cord	Direct Wire	Direct Wire
Power Boost	●								
Impellers									
Dual swivel	●	●	●	●	●	●	●	●	●
Jam resistant	●	●	●	●	●	●	●	●	●
Stainless steel	●	●	●	●	●	●	●	●	●
Stainless steel sink flange	●	●	●	●	●	●	●	●	●
Mounting type	Fast Mount	Fast Mount	Fast Mount	Fast Mount	Fast Mount	Fast Mount	Fast Mount	Fast Mount	Twist Top
Precutler	●	●	●	●	●	●	●	●	●
Splash guard	Removable	Removable	Removable	Removable	Removable	Removable	Removable	Removable	Non-Removable
Sink stopper	●	●	●	●	●	●	●	●	●
Dishwasher drain connector	●	●	●	●	●	●	●	●	●
Manual reset overload protector	●	●	●	●	●	●	●	●	●
Permanently lubricated bearing	●	●	●	●	●	●	●	●	●
Plastic drain elbow	●	●	●	●	●	●	●	●	●
Turntable	Stainless Steel	Galvanized	Galvanized	Galvanized	Galvanized	Galvanized	Galvanized	Galvanized	Stainless Steel
Polyester drain housing	●	●	●	●	●	●	●	●	●
Grinding speed (RPM's)	8000	8000	8000	8000	8000	8000	8000	8000	2700
Hopper	Polypropylene	Polypropylene	Polypropylene	Polypropylene	Polypropylene	Polypropylene	Polypropylene	Polypropylene	Nylon
Hopper liner and grinding ring	Stainless Steel	Stainless Steel	Stainless Steel	Stainless Steel	Galvanized	Galvanized	Galvanized	Galvanized	Stainless Steel
Economical/Quiet									
Sound insulation wrapper	Super Deluxe	Deluxe	Standard	Standard					Super Deluxe
Weights & Dimensions									
Approx. shipping weight (lbs.)	12.5	10.0	9.8	9.8	8.4	8.4	8.4	8.4	14.0
Net weight (lbs.)	11	8.8	8.6	8.6	7.6	7.6	7.6	7.6	12.5
(A)	14-5/8	14-5/8	14-5/8	14-5/8	14-5/8	14-5/8	14-5/8	14-5/8	16-9/16
(B)	6-1/4	6-1/4	6-1/4	6-1/4	6-1/4	6-1/4	6-1/4	6-1/4	5-1/2
(C)	3-1/4	3-1/4	3-1/4	3-1/4	3-1/4	3-1/4	3-1/4	3-1/4	6-1/2
(D)	8-1/4	8-1/4	8-1/4	8-1/4	8-1/4	8-1/4	8-1/4	8-1/4	9-5/16
(E)	8-1/8	8-1/8	8-1/8	8-1/8	6-3/8	6-3/8	6-3/8	6-3/8	8-5/8
Dishwasher inlet diameter (in.)	7/8	7/8	7/8	7/8	7/8	7/8	7/8	7/8	1
Drain outlet diameter (in.)	1-1/2	1-1/2	1-1/2	1-1/2	1-1/2	1-1/2	1-1/2	1-1/2	1-1/2
Accessories									
White sink flange & stopper	GPF71	GPF71	GPF71	GPF71	GPF71	GPF71	GPF71	GPF71	GPF71
Almond sink flange & stopper	GPF72	GPF72	GPF72	GPF72	GPF72	GPF72	GPF72	GPF72	GPF72
Bisque sink flange & stopper	GPF73	GPF73	GPF73	GPF73	GPF73	GPF73	GPF73	GPF73	GPF73

Disposers



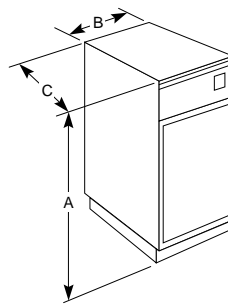
Disposer Accessories:

GPF75 Clamp nut kit

Compactors

Features	GE	
	GCG1550DCC, GCG1540FSS, GCG1530ZWW, GCG1520ZBB	
	Cycle time	27 seconds max., 14 seconds min.
Drive system	2-Point	
Motor horsepower	1/3	
Compression ratio (average)	75% reduction of volume	
Ram force (lb.) (max.)	2,300	
Front level legs and rear wheels	●	
Capacity	1.4 cu. ft.	
Side release bin	●	
Toe/foot pedal drawer opener	●	
Lock/start control w/removable key	●	
Automatic anti-jam	●	
Slide-out drawer	●	
Full 1-year warranty	●	
Appearance		
Color appearance*	CC, SS, WW, BB	
Reversible door panel included**	White/Black	
Heavy-gauge steel construction	●	
1/4" panel capability	●	
Weights & Dimensions		
Total shipping weight (lbs.)	152	
Total appliance weight (lbs.)	141	
Overall height (in.)	34-1/8 to 34-1/2	
Overall width (in.)	15	
Overall depth (in.)	24-1/4	
Cutout dimensions H x W x D (in.)	34-1/4 x 15-1/8 x 24-3/4	
Clearance for drop-down drawer side	6" or more on right side	
Drawer extension for removal	23" or more in front of appliance	
Custom panel size H x W (in.)	22-15/16 x 14-5/8	
Accessories		
Compactor bags (5 included)	WC60X5017	

GCG1550DCC, GCG1540FSS, GCG1530ZWW, GCG1520ZBB Convertible Compactors



Compactor Accessories:

GPF80 White/Black Panel

for GCG1530

GPF81 Black/Almond Panel

for GCG1520

*Colors available: SS = Stainless, WW = White on white, CC = Bisque, BB = Black on black.
** On black and white models only.

Washers

	GE Profile Performance Series™	GE Profile™		GE		
	WPSE5290A	WPSE4270A	WPSE4200A	WCSE4230A	WCSE3100A	WCXR1070A
Capacity						
Capacity	Super Plus	Super Plus	Super Plus	Super Plus	Super Plus	Extra-Large
Cubic Feet	3.2	3.2	3.2	3.2	3.2	2.7
Features						
Rotary Controls	●	●	●	●	●	●
Wash/rinse temperatures	4	4	4	4	3	3
Wash/spin speed combinations	5	4	4	4	3	1
Water levels	Variable	Variable	4	Variable	3	3
PerfectTemp	●	●	●			
SpotSpray	●	●				
Fabric softener dispenser	●	●	●	●	●	
Bleach dispenser	●	●	●	●	●	
Self-cleaning filter	●	●	●	●	●	
GentlePower™ Agitator	●	●	●			
FlexCare™ Agitator				●	●	●
End-of-cycle signal	Deluxe					
Number of wash cycles	29	27	20	23	10	7
Cycle Countdown	●	●	●	●	●	
Cottons Regular						
Extra Heavy Soil	●	●	●	●	●	●
Heavy Soil	●	●	●	●	●	●
Medium Soil	●	●	●	●	●	●
Light Soil	●	●	●	●	●	●
Extra Light Soil	●	●	●	●		
Auto Soak (30 min.)	●	●	●	●		
Auto Soak (15 min.)	●	●	●	●	●	
Easy Care						
15 Minute Auto Soak	●			●		
Extra Heavy Soil				●		
Heavy Soil	●	●	●	●	●	
Medium Soil	●	●	●	●	●	
Light Soil	●	●	●	●	●	●
Extra Light Soil						
Delicate						
15 Minute Auto Soak	●			●		
Medium Soil	●	●	●			
Light Soil					●	●
Hand Wash	●	●				
Options						
Quick Wash	●					
Quick Rinse (Prewash)	●	●	●	●		
Spin Only	●	●	●	●	●	●
Second Rinse	●	●	●	●		
Extended Spin	●	●	●	●		
Second Rinse Extended Spin	●	●				
ColorLogic™ 2000	●	●	●			
Color Lid Instructions	●	●	●	●	●	●
Color Stain Guide/Instructions	●	●				
100% Front Serviceable	●	●	●	●	●	●
ArmorGuard Protection	●	●	●	●	●	●
Steel Drive Transmission	●	●	●	●	●	●
Exclusive Auto Balance Suspension System	●	●	●	●	●	●
PermaTuf II™ Basket	●	●	●	●	●	●
Quiet						
Insulation Package	Hush Quiet	Deluxe Quiet Plus	Deluxe Quiet	Deluxe Quiet Plus		
Quiet-By-Design™	●	●	●	●	●	●
Appearance						
Colors available*	WW, AA	WW, AA	WW, AA	WW, AA	WW, AA	WW, AA
Weights						
Approx. shipping weight (lbs.)	160	160	160	160	160	160

*Colors available: WW = White on white, AA = Almond on almond.

Washer Specifications

Circuit Requirements:

An individual, properly-grounded branch circuit, with a three-prong grounding-type receptacle, protected by a 15 or 20 amp circuit breaker or time-delay fuse is required.

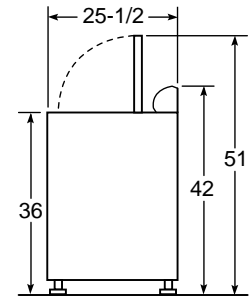
Electrical Rating:

115V, 60Hz, 10A

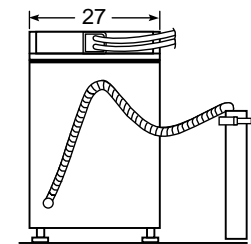
Washer Note:

Washer wall outlet must be located within 36" of service cord entry. Wall outlet must not be located behind dryer.

Washer Dimensions (in inches)



Side View



Rear View

Refrigeration

Cooking Products

Microwave Ovens

Dishwashers

Clothes Care

Water Systems

Air Conditioning

Dryers

	GE Profile Performance Series™		GE Profile™		GE	
	DPSR513EA	DPSR405EA	DPSR483EA	DCSR483EA	DCXR463EA	DCL333EA
Electric						
Gas						
Capacity						
Capacity	Super	Super	Super	Super	Extra-Large	Extra-Large
Cubic Feet	7.0	7.0	7.0	7.0	6.0	5.7
Features						
Rotary controls	●	●	●	●	●	●
Sensor Dry	●	●				
Automatic Dry control			●	●	●	●
Heat selections	5	4	4	4	4	3
Dryel Cycle	●					
Number of cycles	13	10	8	8	6	3
Cottons						
Auto Cottons Cycle	●	●	●	●	●	●
Optional Wrinkle Care	●	●	●	●		
Easy Care						
Auto Wrinkle Free/Perm Press Cycle	●	●	●	●	●	●
Optional Wrinkle Care	●	●	●	●		
Delicates						
Auto Delicates Cycle	●					
Optional Wrinkle Care	●	●	●	●		
Timed Dry						
Actual minutes on timer	80	80	80	80	80	70
Damp Dry		●	●	●	●	
Dewrinkle	●	●	●	●	●	
Dryel	●					
Quick Fluff (no heat)		●	●			
Quick Dry	●				●	
ColorLogic™ 2000	●	●	●			
Deluxe end-of-cycle signal	●	●				
Variable end-of-cycle signal			●	●		
Removable up-front lint filter	●	●	●	●	●	●
Reverse-A-Door	●	●	●	●	●	●
Deluxe Dryer Rack	●	●		●		
Drying Center	●	●				
Dryer interior light	●	●	●	●	●	
DuraDrum™ interior	●	●	●	●	●	
Painted steel interior						●
100% Front Serviceable	●	●	●	●	●	●
Quiet						
Insulation Package	Hush Quiet	Deluxe Quiet	Deluxe Quiet			
Quiet-By-Design™	●	●	●	●	●	●
QuietDrum™	●					
Appearance						
Colors available*	WW, AA	WW, AA	WW, AA	WW, AA	WW, AA	WW, AA
Weights						
Approx. shipping weight (lbs.)	Electric 130 Gas 125	119 125	119 120	119 120	112 115	107 124

*Colors available: WW = White on white, AA = Almond on almond.
GE electric dryers are available with long-ducting capability.

Dryer Specifications

Exhaust options:

Electric: 4-way via rear, right, left and bottom.

Gas: 3-way via rear, left and bottom. Dryer is shipped exhausted to the rear. Alternate exhausting knockouts are supplied.

Circuit Requirements:

Electric: An individual, properly-grounded branch circuit, protected by a 30 amp circuit breaker or a time-delay fuse is required.

Electric Dryer Rating:

120/240V, 5600W, 24A
120/208V, 4400W, 22A

Gas: An individual, properly-grounded branch circuit, with a three-prong grounding-type receptacle, protected by a 15 or 20 amp circuit breaker or a time-delay fuse is required.

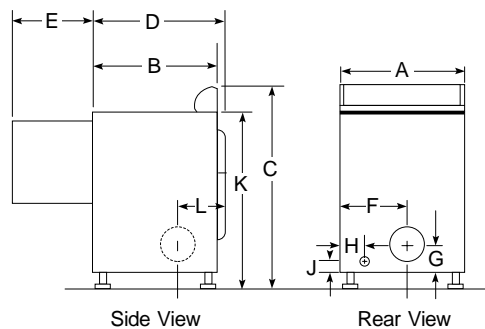
Gas Dryer Electric Rating:

120V, 60Hz, 6A

Gas (BTU/HR): 22,000. Factory-equipped for natural gas. Tested for LP gas. LP gas supply requires an optional conversion kit, 5.7 cu. ft. model kit is WE25X10003, 6.0 and 7.0 cu. ft. model kit is WE25X0217. Have a qualified gas technician install a conversion kit. See dryer ducting information for proper installation.

Dryer Note: Dryer wall outlet must be located within 36" of service cord entry and accessible when dryer is mounted in position.

Dryer Dimensions (in inches)



	Extra-Large 5.7 Capacity	Extra-Large 6.0 Capacity	Super Capacity
A	27	27	27
B	25-1/2*	25-1/2*	25-1/2*
C	42	42	42
D	25-3/4	25-3/4	28-1/4
E	23-1/2	23-1/2	23-1/2
F	11-3/4	11-1/2	11-1/2
G	5-1/2	3-1/2	3-1/2
H	2	2	2
J	2-1/2	2-1/2	2-1/2
K	36	36	36
L	4-3/4	5-1/4	8-1/2

*24-1/2" from the edge of the side panel to the front. 25-1/2" from front to edge of end caps.

See page 152 for warranty information.

Dryer Exhausting Information

For complete information see installation instructions packed with dryer.

Important Note: GE Kit Number 14-A018 needed when converting rear exhaust to bottom or side. (On 5.7 extra-large capacity models only.)

Ducting Materials

For best performance, this dryer should be vented with 4" diameter all rigid metal exhaust duct. If "all rigid metal" duct cannot be used, then "flexible all metal" venting can be used, but it will reduce the maximum recommended duct length.

The following kit or parts are available from your local service organization.

Kit WX8X75—7' aluminum duct and 4' hood, short tail.

(OR individual parts):

WX8X65 7' aluminum flex duct only

WX8X58 4' clamps (2)

WX8X67 4' exhaust hood

See installation instructions for complete information.

Exhaust length calculation:

- Determine the number of 90° turns needed for your installation. If you exhaust to the side or bottom of dryer, add one turn.
- The maximum length of 4" rigid (aluminum or galvanized) duct which can be tolerated is shown in the table.

The maximum lengths for flexible ducts are less than for rigid duct.

See table in installation instructions. A turn of 45° or less may be ignored.

Two 45° turns within the duct length should be treated as a 90° elbow.

A turn over 45° should be treated as a 90° elbow.

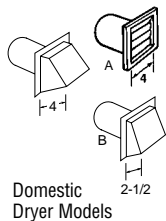
Exhausting the dryer to the outside is strongly recommended to prevent large amounts of moisture and lint from being blown into the room. Gas dryers or any dryer located in a closet **must** be exhausted to the outside.

Caution: For personal safety do not terminate exhaust into a chimney, under any enclosed house floor (crawl space), or into an attic, since the accumulated lint could create a fire hazard or moisture could cause damage. Never terminate the exhaust into a common duct or plenum with a kitchen exhaust, since the combination of lint and grease could create a fire hazard.

Exhaust ducts should be terminated in a dampered wall cap to prevent back drafts, bird nesting, etc. The wall cap must also be located at least 12" above the ground or any other obstruction with the opening pointed down. Other terminations, such as louvered wall boxes, are acceptable provided they are equivalent to a 4" opening dampered wall cap.

Dryer Exhausting Information—Use Metal Duct Only

Vertical and Horizontal Ducting



	Number of 90° Turns	Best Performance			
		Maximum Length of 4" Dia. Rigid Metal Duct		Maximum Length of 4" Dia. Flexible Metal Duct	
		Exhaust Hood Type		Exhaust Hood Type	
Domestic Dryer Models	Cat. No. WX8X59 (Preferred)	B 2-1/2" Opening	Cat. No. WX8X59 (Preferred)	A 4" Opening	B 2-1/2" Opening
Super & Extra-Large 6.0 Capacity Models All Electric Dryers	0	90 ft.	60 ft.	55 ft.	45 ft.
	1	60 ft.	45 ft.	40 ft.	30 ft.
	2	45 ft.	35 ft.	30 ft.	20 ft.
	3	35 ft.	25 ft.	20 ft.	15 ft.
Super & Extra-Large 6.0 Capacity Models All Gas Dryers	0	45 ft.	30 ft.	30 ft.	15 ft.
	1	35 ft.	20 ft.	20 ft.	10 ft.
	2	25 ft.	10 ft.	10 ft.	—
	3	15 ft.	—	—	—
Extra-Large 5.7 Capacity Electric and Gas Dryers	0	60 ft.	48 ft.	30 ft.	18 ft.
	1	52 ft.	40 ft.	22 ft.	14 ft.
	2	44 ft.	32 ft.	14 ft.	10 ft.
	3	32 ft.	24 ft.	—	—
Spacemaker® Models DSKS433EA WSM2780W	0	46 ft.	37 ft.	30 ft.	24 ft.
	1	38 ft.	30 ft.	25 ft.	20 ft.
	2	31 ft.	22 ft.	20 ft.	14 ft.
Spacemaker® Model DSKP233EA	0	43 ft.	36 ft.	30 ft.	24 ft.
	1	33 ft.	26 ft.	24 ft.	18 ft.
	3	23 ft.	16 ft.	16 ft.	10 ft.
Spacemaker® Model WSM2700W	0	56 ft.	42 ft.	30 ft.	22 ft.
	1	46 ft.	36 ft.	22 ft.	14 ft.
	2	34 ft.	28 ft.	16 ft.	10 ft.
Spacemaker® Models WSM2420T WSM2480T	0	43 ft.	36 ft.	30 ft.	24 ft.
	1	33 ft.	26 ft.	24 ft.	18 ft.
	2	23 ft.	16 ft.	16 ft.	10 ft.

Special Installation Requirements

Alcove or Closet Installation

- If your dryer is approved for installation in an alcove or closet, it will be stated on a label on the dryer back.
- The dryer **MUST** be exhausted to the outdoors. See installation instructions.
- Minimum clearances between dryer cabinet and adjacent walls or other surfaces are:
 - 0" either side
 - 3" front and rear
- Minimum vertical space from floor to overhead cabinets, ceilings, etc. is 52".
- Closet doors must be louvered or otherwise ventilated and must contain a minimum of 60 sq. in. of open area equally distributed. If this closet contains both a washer and a dryer, doors must contain a minimum of 120 sq. in. of open area equally distributed.
- The closet should be vented to the outdoors to prevent gas pocketing in case of a gas leak in the supply line.
- No other fuel-burning appliance shall be installed in the same closet with the dryer.

Bathroom or Bedroom Installation

- The dryer **MUST** be exhausted to the outdoors. See installation instructions.
- The installation must conform with the local codes, or in the absence of local codes, with the National Fuel Gas Code, ANSI Z223.

Minimum Clearances other than Alcove or Closet Installations

- Minimum clearances to combustible surfaces:
 - 0" both sides
 - 3" rear

For more information on venting kits and accessories, please call 1-800-GE-CARES.



Listed by Underwriters Laboratories

Front Loading Washer

Special Installation Requirements

Undercounter Installation

- Accessory mounting kits are required for undercounter installation. To order, call 1-800-848-7722.
Washer—Order Pub. No. 14-A037
Dryer—Order Pub. No. 14-A008

Stacked Installation

- Brackets for stacking dryer over washer are included with the dryer.

Alcove or Closet Installation

- If your dryer is approved for installation in an alcove or closet, it will be stated on a label on the dryer back.
- The dryer **MUST** be exhausted to the outdoors. See EXHAUST INFORMATION on previous page.
- Minimum clearances between dryer cabinet and adjacent walls or other surfaces are:
0" either side
3" front and rear
- Minimum vertical space from floor to overhead cabinets, ceilings, etc. is 52".
- Closet doors must be louvered or otherwise ventilated and must contain a minimum of 60 sq. in. of open area equally distributed. If this closet contains both a washer and a dryer, doors must contain a minimum of 120 sq. in. of open area equally distributed.
- The closet should be vented to the outdoors to prevent gas pocketing in case of a gas leak in the supply line.
- No other fuel-burning appliance shall be installed in the same closet with the dryer.

Bathroom or Bedroom Installation

- The dryer **MUST** be exhausted to the outdoors. See EXHAUST INFORMATION on previous page.
- The installation must conform with the local codes, or in the absence of local codes, with the National Fuel Gas Code, ANSI Z223.

Minimum Clearances other than Alcove or Closet Installations

- Minimum clearances to combustible surfaces:
0" both sides
3" rear

For more information on venting kits and accessories, please call 1-800-GE-CARES.

Dryer Specifications

Exhaust options:

Electric: 4-way via rear, right, left and bottom.

Gas: 3-way via rear, right and bottom. Dryer is shipped exhausted to the rear.

Exhaust Elbow Kit: Order Pub. No. 14-A018.

Dryer Exhausting Information— Use Metal Duct Only

		Best Performance	
		Maximum Length of 4" Dia. Rigid Metal Duct	
		Exhaust Hood Type	
Number of 90° Turns	A 4" Opening	B 2-1/2" Opening	B 2-1/2" Opening
1	52 ft.	40 ft.	
2	44 ft.	32 ft.	
3	32 ft.	24 ft.	
4	28 ft.	16 ft.	

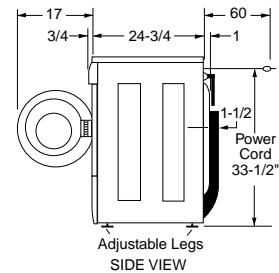
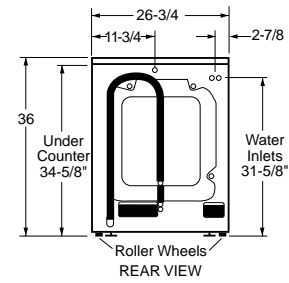
		Maximum Length of 4" Dia. Flexible Metal Duct	
		Exhaust Hood Type	
Number of 90° Turns	A 4" Opening	B 2-1/2" Opening	B 2-1/2" Opening
1	22 ft.	14 ft.	
2	14 ft.	10 ft.	

See page 152 for warranty information.

GE	
WSXH208A	
Capacity	
Capacity	Extra-Large
Cubic Feet	2.7
Features	
Wash/rinse temperatures	4
Water levels	Automatic Adjustment
Standard Rinse Cycles	3
Motor Speeds	Agitation 1, Spin 2
Combinations*	HC, WW, WC, CC
Detergent dispenser (Liquid/Powder)	●
Bleach dispenser	●
Fabric softener dispenser	●
End-of-cycle signal	Adjustable
Number of wash cycles	8
Regular	
Heavy Soil	●
Medium Soil	●
Perm. Press	
Medium Soil	●
Light Soil	●
Knits/Delicates	●
Pre-Wash	●
Extra-Rinse Cycle/Auto Option	●
Leveling legs	●
Rear rollers	●
Stainless steel wash drum	●
Appearance	
Color available	White on white
Weights & Dimensions	
Approx. shipping wt. (lbs.)	217
Flexible installation	Undercounter, stacked, side-by-side

*HC = Hot-Cold, WW = Warm-Warm, WC = Warm-Cold, CC = Cold-Cold.

Washer Dimensions (in inches)



Washer Specifications

Circuit Requirements: An individual, properly-grounded branch circuit, with a three-prong grounding-type receptacle, protected by a 15 or 20 amp circuit breaker or time-delay fuse is required.

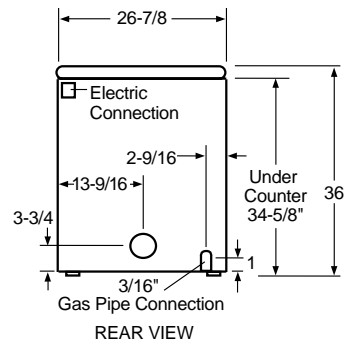
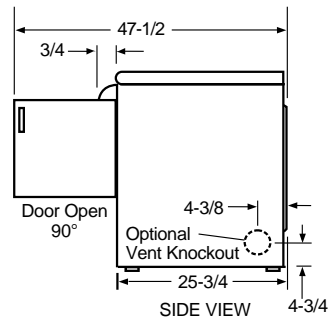
Electrical Requirements: 120V, 60 Hertz, 12.0 Amps

See Pub. No. 31-2819 for installation information.

Front Loading Matching Dryer

GE	
DSXH43EA/GA	
Capacity	
Capacity	Extra-Large
Cubic Feet	6.0
Features	
Tumble Drying	●
Time Dry Cycles	4
Auto Dry Cycles	3
Temperature Options	4
High	●
Medium	●
Low	●
Air Fluff/No Heat (Cool Down)	●
Timed Dry Cycles	4
Regular	●
Permanent Press	●
Knits/Delicate	●
Air Fluff	●
Auto Dry Cycles	
Regular	●
Permanent Press	●
Knits/Delicate	●
Cool Down	●
Quick Clean Lint Screen	●
End-of-Cycle Signal	Adjustable
Drum Light	●
Reverse-A-Door	●
Dura Finish Top and Drum	●
Spill-Saver Top	●
Poly Tumbling Vanes	●
Leveling Legs	●
Total Front Serviceability	●
Exhaust Options (Electric/Gas)	4/3
Heavy-Duty Suspension System	●
Appearance	
Color available	White on white
Weights & Dimensions	
Approx. Shipping Weight (Elec/Gas)	116
Flexible installation	Undercounter, stacked, side-by-side
LP conversion kit	WE25X10003

Dryer Dimensions (in inches)



Washer Specifications

Electrical Requirements:
120/240V, 3 Wire, 5600, 24A;
120/208V, 3 wire, 4400W, 22A

Gas Requirements: 120V, 60 Hertz, 6 A

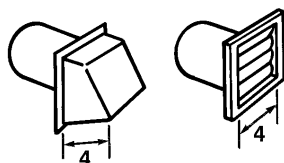
See Pub. No. 49-9963-2 for installation information.

General Information for Dryer Exhausting

Minimizing the length of ductwork and the number of turns in an exhaust system minimizes the potential for lint to settle and accumulate in the exhaust duct and in the interior cabinet of the dryer. Refer to your specific dryer installation instructions for recommended duct length.

1. Wall Caps And Other Terminations

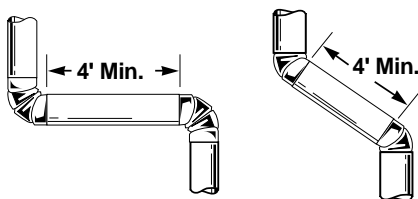
All exhaust systems must be terminated in a manner that will prevent backdrafts from outside as well as prevent birds or other wildlife from building nests or taking refuge in the ductwork. The wall cap should present minimal resistance to the flow of exhaust air and should require little maintenance to prevent clogging. **The preferred termination is either a dampered wall cap with a 4" wide opening or a movable louvered wall cap.** A 2-1/2" wall cap restricts airflow and increases drying time. It must be installed with the opening down, and installed at a minimum of 12" above ground level or any other obstruction. Special consideration should be given in areas where heavy snow drifts are likely to occur to ensure the wall cap does not become obstructed. Other types of terminations, such as roof vents or louvered plenum chambers, are acceptable providing **they are equivalent to the 4" dampered wall cap.** They must contain at least 14 square inches of ventilation area and afford adequate protection against backdrafts.



Exhaust ducts must not contain screens or other filtering devices which may become clogged with lint. The dryer exhaust must not terminate in an ordinary chimney, under an enclosed house floor or crawl space, or into an attic, since any accumulated lint could create a fire hazard and the moisture could cause damage. **Never terminate the exhaust into a common duct or plenum with a kitchen hood exhaust since the combination of grease and lint could create a fire hazard.**

2. Separation Of Turns In The Ductwork

All turns in the exhaust system, external to the dryer itself, including the distance from the last turn to the dampered wall cap, should be separated by at least 4' of straight metal duct. This will reduce the added resistance which results from rapid changes in airflow direction inside the ducting. If two turns must be closer than 4', deduct 10' from the maximum lengths shown in the chart on page 215.



3. Treatment Of Turns Other Than 90°

One turn of 45° or less may be ignored. Two such turns should be treated as one 90°. Each turn over 45° should be treated as one 90°. Refer to specific dryer installation for maximum duct lengths and for allowable number of 90° bends. In determining the number of turns for an exhaust system, one 90° turn must be added for the bend made inside the cabinet whenever the dryer is exhausted through the right, left or bottom. NOTE: Some dryers are limited to only rear exhausting. Consult the installation instruction for the type of dryer being used.

4. Use Of Flexible Metal Ducting

We recommend the use of 4" diameter rigid metal ducting for permanent and transition venting. Permanent venting is from the wall, floor or ceiling to the outside. Transition venting is from the dryer to the wall, floor or ceiling. If all rigid ducting cannot be used then flexible all metal ducting may be used, if the following precautions are adhered to:

- Use only 4" diameter all metal ducting.
- Never use foil or other ducting that can be easily punctured with a screwdriver or nail.
- It must not be allowed to collapse, kink or sag when the dryer is in its final installed position. Required turns in the exhaust system should be made with rigid elbows.
- Use the shortest duct length possible. Don't exceed the maximum allowable duct length specified in the installation instructions.
- Stretch the duct to its maximum length.
- To reduce the risk of fire, **NEVER USE PLASTIC OR OTHER COMBUSTIBLE DUCTWORK.**

NOTE: In special installations where it is impossible to use all metal rigid or all metal flexible duct for transition venting, UL Listed clothes dryer transition duct may be used. The following additional precautions should be followed if this type of ducting is used.

- Never use transition duct beyond the wall, ceiling or floor inside the dryer.
- Avoid resting the duct on sharp objects.

Please refer to the installation instructions for additional exhaust information.

5. Sealing Of Joints

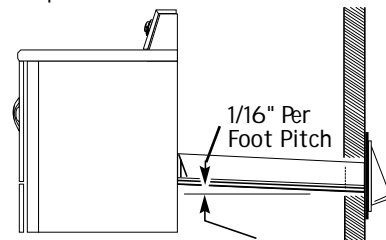
All duct joints should avoid leaks. Duct joints should be made air and moisture tight by wrapping the overlapped joints with duct tape. The male ends of each section of duct should point away from the dryer.

Do not assemble the ductwork with screws or other fasteners that extend into the duct. They will serve as a collection point for lint.

6. Water Condensation

Condensation in a dryer exhaust system is caused by the moisture in the exhausted air contacting the cold inner surfaces of the ductwork. Condensation, which forms at the beginning of the drying cycle, will dissipate quickly after the ductwork becomes heated. If the ductwork passes through an area which keeps it cool throughout the drying cycle, considerable condensation within the duct can be expected. This can result in rapid accumulation of lint in the ductwork.

Ductwork which runs through an unheated area or is situated adjacent to an air conditioning duct should be insulated to avoid such condensation problems. Joints should be tight to avoid leaks and, where feasible, the duct should be dropped 1/16" per foot toward the termination.



7. Accessibility For Cleaning

Since it may be necessary from time to time to remove lint from the inside of the ductwork, it is important that the exhaust system be installed with a provision for periodic inspection and cleaning. Some provision should be made for access to turns and straight runs of duct installed in an enclosed area, such as above plastered ceilings. Special consideration should be given to the amount of maintenance required for roof caps on vertical installations, since the user cannot be expected to make frequent inspections or cleanings.

8. In Line Exhaust (Booster) Fans

Use of In Line exhaust (booster) fan for single unit installation is not recommended:

- Operator may forget to turn it on.
- It may block.
- It may fail without Operator noticing it.

Single Family-Type Dwellings

For more detailed information, refer to the installation instructions for the specific dryer model selected.

Mobile or Manufactured Home Installation

Gas Dryer installation must conform with local Gas Codes and with CGA B149.1 or B149.2 (Installation code for Gas Burning Appliances and Equipments).

All Dryer Installations must conform to Manufactured Home Construction and Safety Standard, Title 24 CFR, Part 32-80. The dryer **MUST** be exhausted to the outdoors with the termination securely fastened to the mobile home structure. The exhaust **MUST NOT** be directed underneath the mobile home.

Multi-Unit Dryer Installation

Multi-Unit Systems

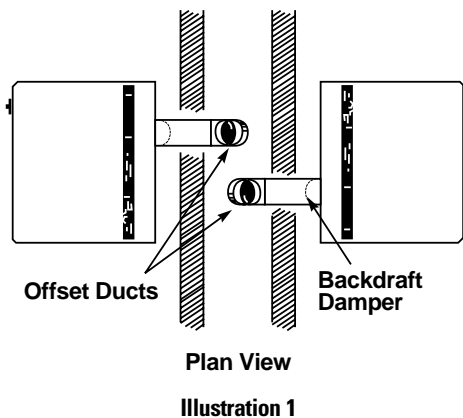
Accurate installation of a good dryer exhaust system in multi-family construction is especially important. The restrictions applied by this type of construction should cause the planner to be more concerned than in single-family construction.

When the length of the exhaust duct or the number of turns in the system exceed the maximum limitations recommended by the dryer manufacturer, the planner must seek an alternate solution. One option is to install a common ducting system that is capable of handling the discharge of several dryers at various points along the system.

The scope of the subject is far too broad to be extensively described within this publication. Sufficient information is presented, however, to make the planner aware of the importance of special attention to the subject. Two types of common ducts are generally used: (1) the common dryer exhaust stack with an auxiliary roof fan and (2) the chimney exhaust.

Stack and chimney designs and exhaust fans must meet all local code requirements. It is suggested that professional engineering counsel should be sought in these matters. Dryers should be installed as close to the common duct as possible. Dryers discharges must be offset to prevent one unit from exhausting directly into another.

See Illustration No. 1.



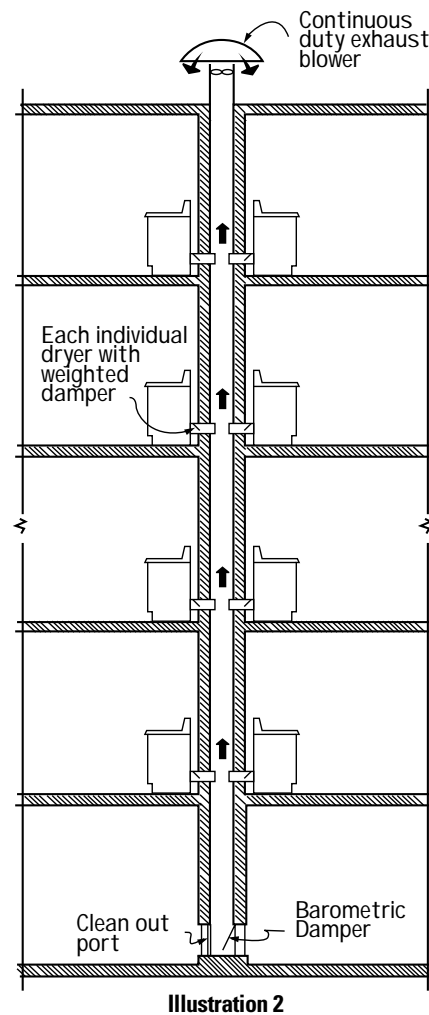
Common Fan Assisted Dryer Exhaust Stack (Auxiliary Roof Fan Systems)

The stack outlet (See Illustration No. 2) must be fitted to a continuous duty exhaust fan rated to handle the stack air volume for the total number of dryers on the system. Periodic cleaning of the exhaust fan is necessary to maintain efficient operation.

The bottom of the stack should contain a barometric damper to prevent drawing air through the dryers not in use, and a lint cleanout access door. The damper should be adjusted to just open with all dryers on and the continuous duty exhaust fan operating.

The weighted damper in the individual dryer ducts should be adjusted so that it will just close with all dryers off and the continuous duty exhaust fan operating. The fan should be running at all times. The duct system from each individual dryer must meet the turn and length requirements as noted on page 215.

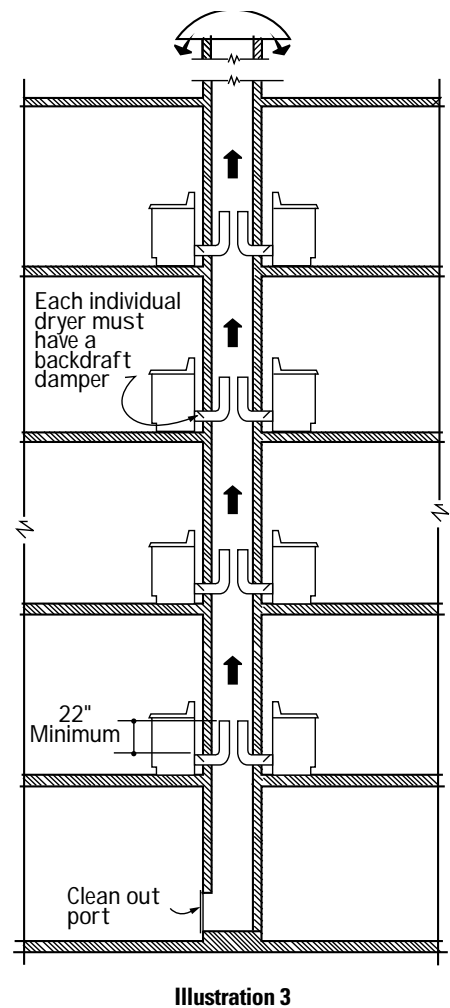
The required stack diameter for air volumes of 200 CFM to 3,000 CFM can be determined from Illustration No. 4 and calculations on the following page.



Chimney Exhaust System

The chimney must be fire resistant and large enough to accommodate the volume of air exhausting from the dryers. Consideration must be made for lint buildup, excessive chimney pressures, backdrafts and other technical factors which will influence the performance and the safety of the system. A lint clean-out access door should be included at the bottom of the chimney. Each dryer duct must have a 4" diameter backdraft damper, adjusted so that it will just close with the dryer inoperative. This will prevent the exhaust and lint of one dryer from going into another dryer and its room. The duct system for each individual dryer must meet the turn and length requirements as noted on page 215.

Use the specs for a 2-1/2" exhaust hood for proper dryer performance. Include the 90° elbow and all ducting in the chimney in your calculations. The 22" (minimum) of vertical ducting in the chimney reduces back pressure and is required for proper dryer performance. See Illustration No. 3.



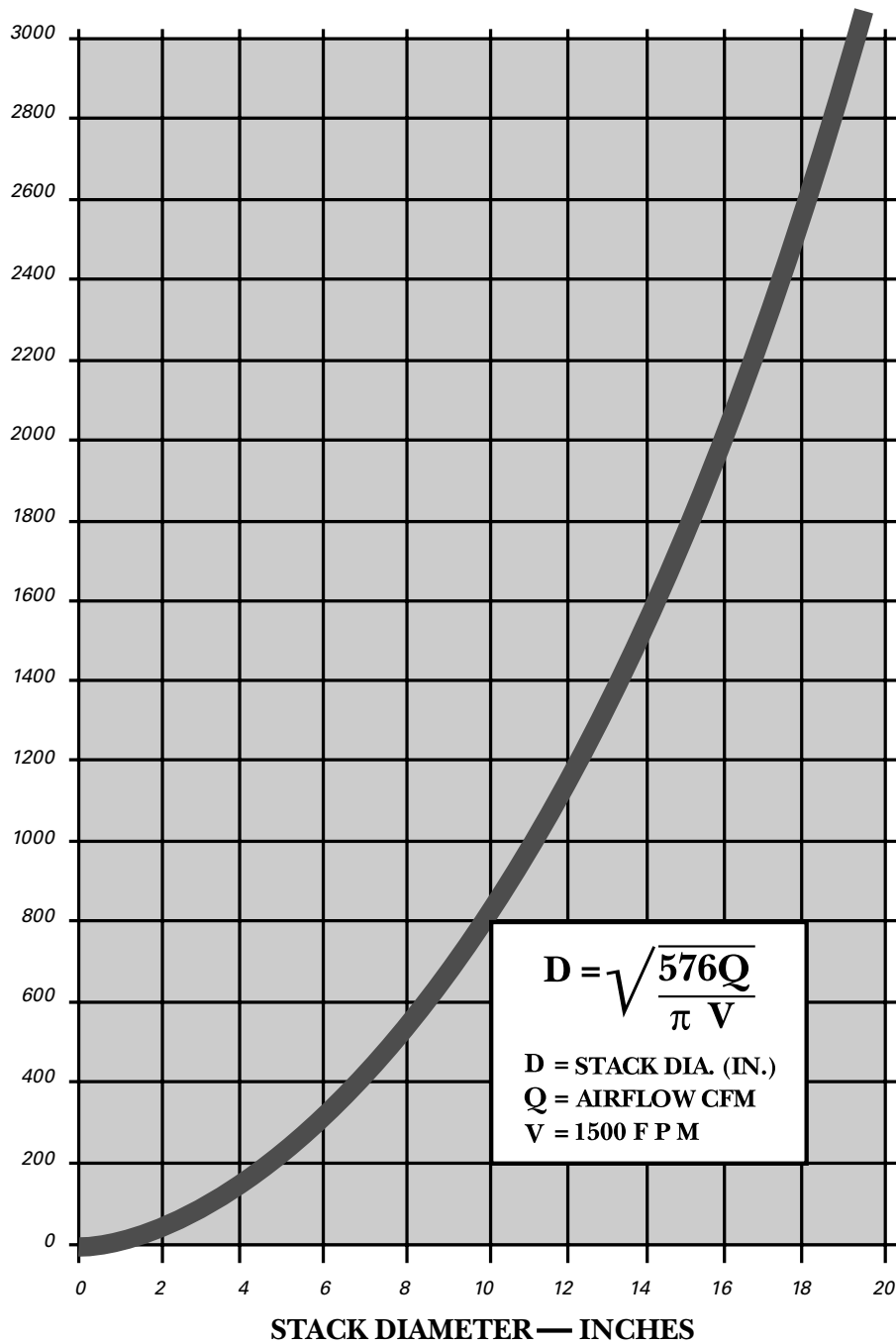


Illustration 4

How To Use Illustration No. 4

Airflow value: 150 CFM.

Assume installation contains eight (8) dryers operating at the same time. Stack air volume (Q) = 150 x 8 = 1200 CFM (Q) is air volume that stack must be capable of handling in the event all dryers are running at one time. Therefore, the stack diameter must be:

$$D = \sqrt{\frac{576Q}{\pi V}} = \sqrt{\frac{576 \times 1200}{\pi \times 1500}} = \sqrt{147} \approx 12 \text{ inches}$$

or read directly from Illustration No. 4 by placing 1200 on the vertical scale and reading 12 on the horizontal scale. The stack diameter should be 12 inches to handle the required volume of air and the continuous duty exhaust blower should be rated to handle this volume while maintaining an air velocity of 1500 Ft./Minute.

Spacemaker® Portable/Stationary Models

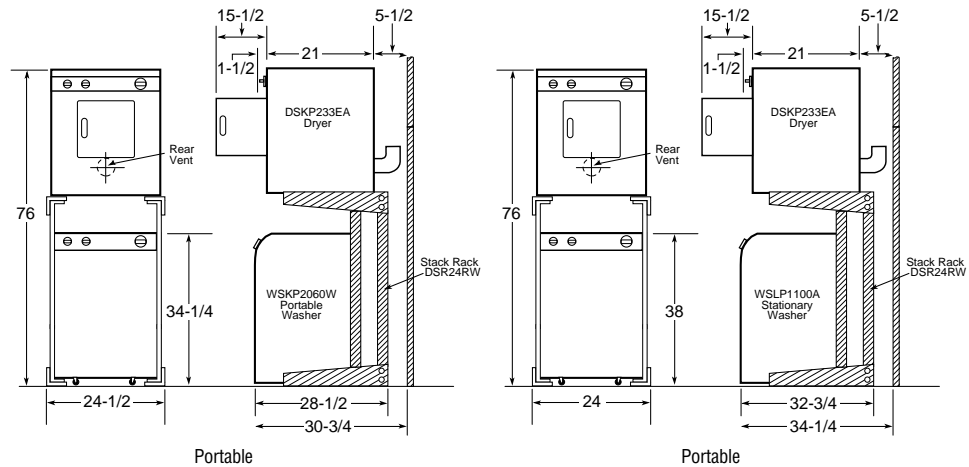
Individual Spacemaker® Washers	GE			
	Stationary WSKS2060W	Portable WSKP2060W	Stationary WSL1100A	Portable WSLP1100A
Capacity				
Capacity	Compact	Compact	Extra-Large	Extra-Large
Features				
Wash/spin speed combinations	2	2	1	1
Wash/rinse temperatures	3	3	4	4
Water levels	4	4	4	4
Number of cycles	6	6	10	10
Regular				
Heavy Soil	●	●	●	●
Medium Soil	●	●	●	●
Perm. Press				
Medium Soil	●	●	●	●
Light Soil	●	●	●	●
Delicates	●	●	●	●
Quickwash				
Prewash				
Rinse and spin only				
Spin only	●	●	●	●
One touch load sensing	●	●	●	●
Automatic cool down	●	●	●	●
Bleach dispenser	●	●	●	●
Fabric softener dispenser	●	●	●	●
Automatic detergent dispenser			●	●
Lint filter	●	●	2 Removable	2 Removable
Quiet pump	●	●	●	●
Easy-roll rollers		●		●
Basket material	PermaTuf II	PermaTuf II	Stainless Steel	Stainless Steel
Appearance				
Colors available	White with granite-look top	White with granite-look top	WW, AA	WW, AA
Weights & Dimensions				
Circuit requirements	120V, 60 Hertz, 15 or 20 Amps			
Dimensions (HxWxD in inches)*	34-1/4 x 22-1/4 x 24	34 x 22-1/4 x 24	37-1/2** x 23-5/8 x 26	38 x 23-5/8 x 26
Approx. shipping wt. (lbs.)	109	109	106	106

*Depth measured from front of control knob.
**With leveling legs extended.

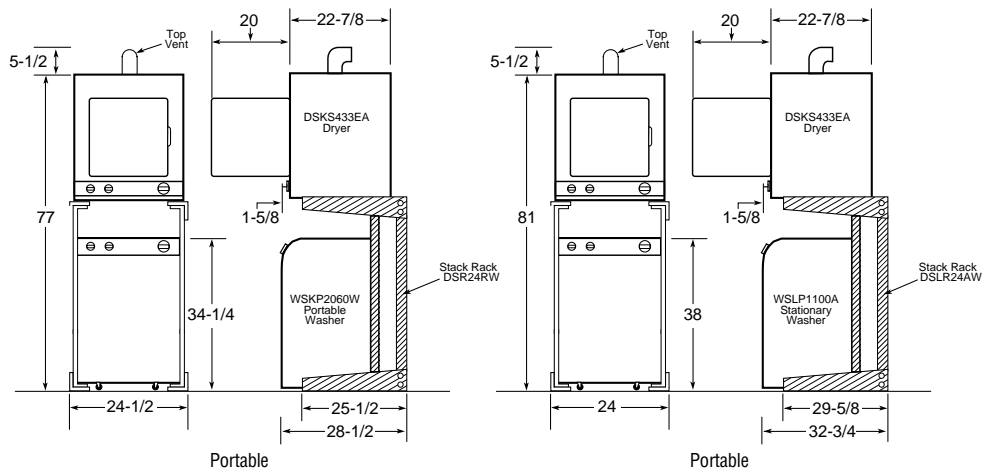
Individual Spacemaker® Dryers	GE	
	DSKS433EA	DSKP233EA*
Capacity		
Capacity	Compact	Compact
Features		
Dry control	Automatic	Automatic
Heat selections	4	2 (timer)
Number of dry cycles	3	3
Auto. Reg.— Perm. Press		●
Auto. Perm. Press & Delicate	●	
Auto. Reg.	●	
Timed Regular (min.)	140	105
Air Fluff (min.)	(Heat Selection)	10
Separate start switch	●	●
Control location	Mid-Band	Top
End-of-cycle signal		●
Lint filter	Up-Front	Back of Drum
Appearance		
Colors available	WW, AA	WW
Weight & Dimensions		
Exhaust options**	4-Way	Rear
Circuit requirements	240/208V†, 60 Hertz, 30 Amp	120V, 60 Hertz, 30 Amp
Power cord	No Cord	6 feet
Dimensions (HxWxD in inches)	33-1/4 x 23-7/8 x 24-1/2	32 x 23-7/8 x 23-5/8
Approx. shipping wt. (lbs.)	108	100

*Dryer comes equipped with casters and stationary leveling legs.
**DSKS433EA shipped exhausted through the top. DSKP233EA exhausted to rear only. DSKP233EA is approved for DSR24RW only.
†240/208 volt outlet: Rear-mounted outlet on DSKS433EA approved for use with Washer/Dryer Stack Rack DSR24RW or DSLR24AW.
Circuit Requirements: An individual, properly-grounded branch circuit of the proper voltage and frequency as specified on the rating plate, with no other appliances or fixtures in circuit, is required.

Rear vent installation



Top vent installation:



Unitized Spacemaker® Washer/Dryer Models

	GE			
	Electric		Gas	
	WSM2700W		WSM2420T	
	WSM2780W		WSM2480T	
Washer	Washer	Dryer	Washer	Dryer
Capacity				
Capacity	X-Large	X-Large	Compact	Compact
Features				
Wash/spin speed combinations	1		2	
Wash/rinse temperatures	3		3	
Water levels	3		3	
Number of wash cycles	3		3	
Regular	●		●	
Perm. Press	●		●	
Delicates	●		●	
Unbalanced load control	●		●	
Lint filter	●		●	

Dryer

Features				
Automatic dry control		●		●
Number of dry cycles		4		4
Auto Regular		●		●
Auto Perm Press				●
Delicates		●		
Timed		●		●
Air Fluff		●		●
Control location		Mid-Band		Mid-Band
Exhaust options		Rear		Rear/Sides

Appearance

Colors available	White on white Almond on almond	White on white**

Weight & Dimensions

Dimensions (HxWxD in inches)	75-1/2 x 27 x 30-13/16*	71-3/4 x 23-7/8 x 27-1/4*
Approx. shipping wt. (lbs.)	300	238

*Depth dimension assumes water hook-up is recessed in the wall.

**Electric model is also available in Almond on almond.

Note: The third prong on the WSM2780W plug configuration is a flat spade type rather than a typical round probe. It requires a matching wall outlet.

Electrical Requirements

WSM2700W: Electric Dryer—This appliance should be connected to an individual, properly-grounded branch circuit with 120/240V or 120/208V single-phase 60 Hz electrical service and should be protected by 30-amp time-delay fuses or circuit breakers. This appliance is manufactured with neutral connected to the frame. Power cord should be purchased separately.

WSM2420T: Electric Dryer—This appliance should be connected to an individual, properly-grounded branch circuit with 120/240V or 120/208V single-phase 60 Hz electrical service and should be protected by 30-amp time-delay fuses or circuit breakers. This appliance is manufactured with the neutral connected to the frame. Power cord should be purchased separately.

NOTE: THESE APPLIANCES ARE NOT APPROVED FOR 120-VOLT OPERATION.

WSM2480T: Gas Dryer—This appliance should be connected to an individual, properly-grounded branch circuit with a three-prong grounding-type receptacle and 120-volt single-phase 60 Hz electrical service and should be protected by 15 or 20-amp time-delay fuses or circuit breakers. This appliance is equipped with a 6-foot long flexible U.L. listed 20-amp power cord to match a 15-amp receptacle.

Gas Rated input 10,500 BTU/HR. Factory equipped for natural gas. Tested for LP gas.

WSM2780W: Gas Dryer—This appliance should be connected to an individual branch circuit with 120-volt single-phase 60 Hz electrical service and should be protected by 20-amp time-delay fuses or circuit breakers. This appliance is equipped with a 4-foot long flexible U.L. listed 20-amp power cord to match a 20-amp receptacle.

Gas Rated input 20,000 BTU/HR. Factory equipped for natural gas.

LP gas supply requires a conversion kit.

Kits: WSM2780W—WE25X206

WSM2480T—WE25X0219

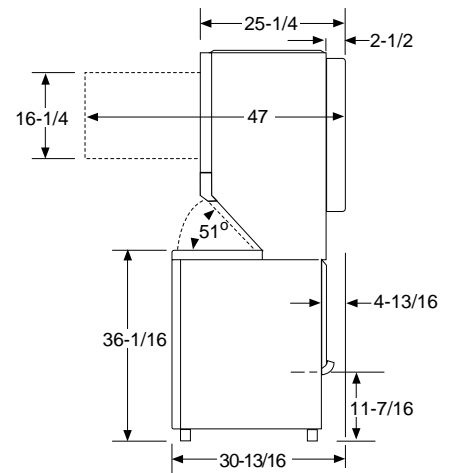
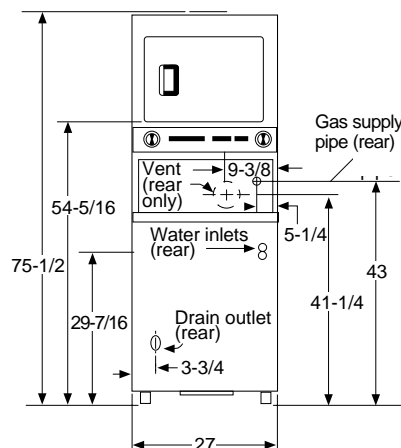
Have a qualified gas technician install a conversion kit before use.

Exhaust Information

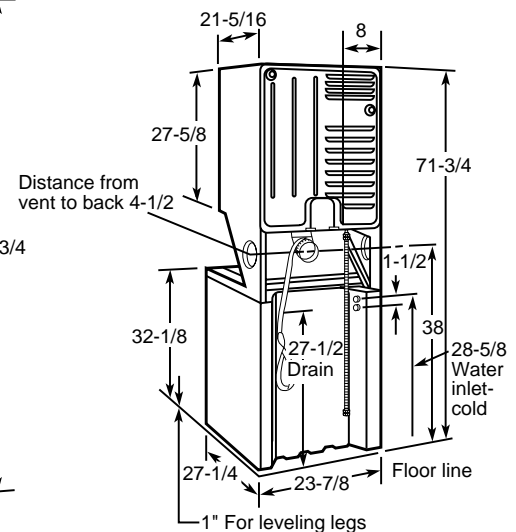
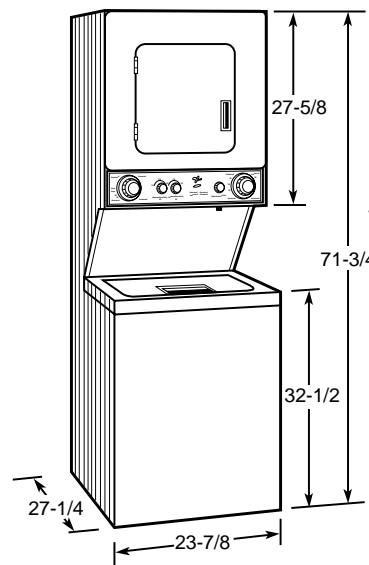
See "Dryer Exhausting Information" on page 215.

For complete information see installation instructions packed with the product.

Models WSM2700W and WSM2780W Dimensions (in inches)



Models WSM2420T and WSM2480T Dimensions (in inches)



GE SmartWater™ Reverse Osmosis Filtration Systems



	GE Profile Performance Series™		GE Profile™	GE
	PNRV18ZWW PNRV18ZBB	PNRV18ZWH PNRV18ZBL	PNRV12ZBL	GXRV10ABL
Capacity				
Storage Tank Capacity (gals.)	1.9	1.9	2.1	1.3
Features				
SmartWater™ Faucet	Electronic Monitor	Electronic Monitor	Electronic Monitor	Short-Reach
Faucet Color	White on white Black on black	Chrome with white Chrome with black	Chrome with black	Chrome with black
Output Per Day (gals.) – Production Rate (gpd) as tested by WQA Standard S-300	18*	18*	12	10
Process Water Used (per gal.)	4	4	4	4
Working Pressure (psi)	40 min. - 125 max.	40 min. - 125 max.	40 min. - 125 max.	40 min. - 125 max.
Max. TDS Removal (ppm)	2000	2000	2000	2000
Percent TDS Removal** (ppm)	75-92	75-92	75-92	75-92
Percent Cysts Reduction	99.95 effective	99.95 effective	99.95 effective	99.95 effective
Max. Hardness	10 grains	10 grains	10 grains	10 grains
Feed Water pH limits	4-10	4-10	4-10	4-10
Operation and Storage Water Temperature	40-100° F	40-100° F	40-100° F	40-100° F
Auto Shut-Off	●	●	●	●
Filters & Membrane				
RO Membrane	FX18M Thin Film Polyamid (TFP)	FX18M Thin Film Polyamid (TFP)	FX12M Thin Film Polyamid (TFP)	FX12M Thin Film Polyamid (TFP)
Pre-Filter (Sediment)	FX18P-Act. Carbon Block	FX18P-Act. Carbon Block	FX12P-Carbon Composite	FX12PA-Carbon Block
Post-Filter (Taste/Odor)	FX18P-Gran. Act. Carbon	FX18P-Gran. Act. Carbon	FX12P-Carbon Composite	FX12PA-Carbon Block
RO Filtration Indicator	Electronic	Electronic	Electronic	
Filter Change Indicator	Electronic	Electronic	Electronic	
Undercounter Installation (kit included)	●	●	●	●
Optional Basement Installation (hardware not included)	●	●	●	●
Appearance				
Style	All-In-One	All-In-One	Bracket	Bracket
Unit Color	Grey	Grey	Grey	Grey
Filter Housing	Opaque	Opaque	Opaque	Opaque
Weights & Dimensions				
Approximate Shipping Weight (lbs.)	16	16	23	20
Overall W x H x D (in.)	10 x 21 x 10	10 x 21 x 10	17 x 16 x 5-3/4 (unit) 11 x 17 x 11 (tank)	17 x 16 x 5-3/4 (unit) 9 x 15 x 9 (tank)
Power/Ratings				
Faucet Monitor Power Requirement	4 AA batteries (included)	4 AA batteries (included)	4 AA batteries (included)	
Accessories (available at additional cost)				
Supplemental Tank	RVTNK1	RVTNK1	RVTNK1	RVTNK1
Storage Cabinet	RV18CBNT	RV18CBNT		
Icemaker Connection Kit	RVKIT	RVKIT	RVKIT	RVKIT

GE Reverse Osmosis Models PNRV18Z, PNRV12Z and GXRV10ABL Series are tested and certified to ANSI/NSF Standard 58 for TDS and cyst reduction.

NSF Approved

NSF is the most highly recognized independent testing institution in the water treatment industry. NSF inspects our manufacturing facilities, structurally tests our product, tests our product to make sure nothing harmful is added to the water and certifies our product performance as specified on the performance data sheet (inside the product box).

SPECTRUM LABS INC

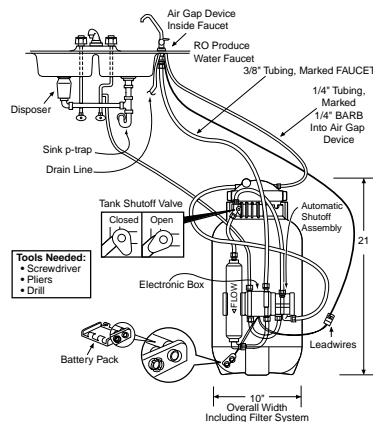
The GE Reverse Osmosis models PNRV18Z, PNRV12Z and GXRV10ABL Series have been quality tested by an independent laboratory, Spectrum Labs, Inc.

Caution: Do not use with water that is microbiologically unsafe or of unknown quality, without adequate disinfection before or after the system. Systems certified for cyst reduction may be used on disinfected water that may contain filterable cysts. This reverse osmosis unit contains a replaceable membrane cartridge treatment component critical for effective removal of Total Dissolved Solids. The water should be tested periodically to verify that the system is performing satisfactorily.

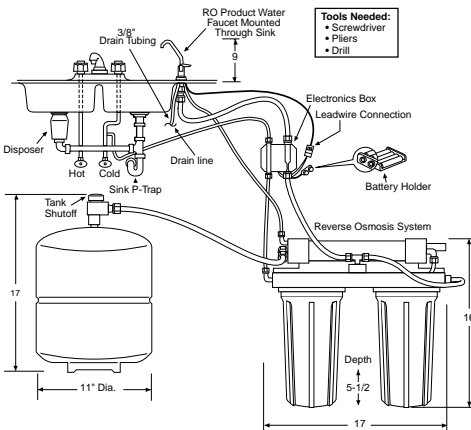
*Output according to ANSI/NSF Standard 58 as tested by Spectrum Labs, Inc. is 14 gals. per day. Feed water over 10 grains of hardness may affect performance of the filtration system.

**Feed water = 50 psig, 77°F, pH = 7.5 ± 5 and 750 ppm TDS as sodium chloride. Product water produced, amount of waste and percent rejection will vary with changes in pressure, temperature and total dissolved solids. Feed water over 10 grains of hardness may affect performance of the filtration system.

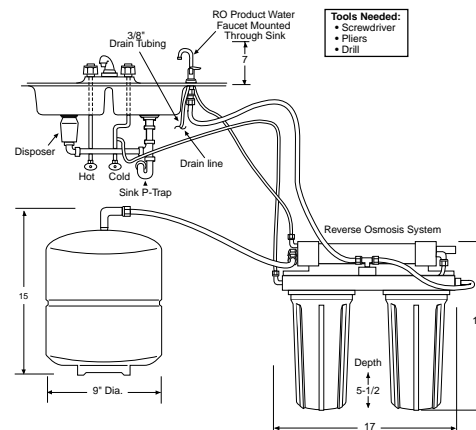
Models PNRV18ZWW/18ZBB/18ZWH/18ZBL Installation Information (in inches)



Model PNRV12ZBL Installation Information (in inches)



Model GXRV10ABL Installation Information (in inches)



Installation, Parts and Warranty Information

Note: R.O. System can be installed up to 30 feet from point-of-use/faucet.

Note: Can be installed undercounter (as shown), in basement, or other convenient location. Before installing, see installation instructions packed with product for complete details.

Replacement Membranes, Pre- and Post-Filters

Call GE SmartWater Services, toll-free 800.952.5039 for convenient ordering.

Water Test Kit

To order a water test kit, call 800.626.2000.

Warranty Information

Models PNRV18Z and PNRV12ZBL:

Full One-Year Warranty – (parts and labor at no additional charge) applies to entire unit, excluding membrane and filters.

Model GXRV10ABL:

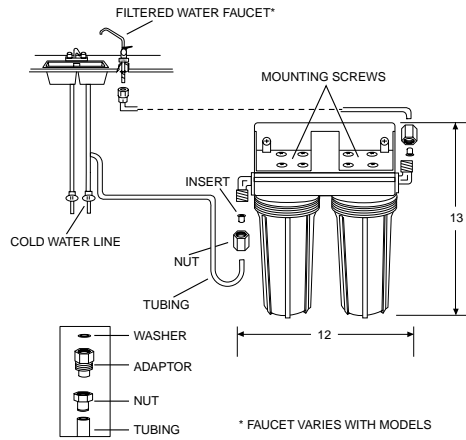
Limited One-Year Warranty – parts and labor at no additional charge (does not include service trip) applies to entire unit, excluding membrane and filters.

GE SmartWater™ Water Filtration Systems

Features	GE		
	Dual Carbon Drinking Water		
	GNUL30B	GNUT05B	GNUT03B
SmartWater™ Faucet	Electronic Monitor	Electronic Monitor	Short-Reach
Faucet Color	Chrome w/black	Chrome w/black	Chrome w/black
Feed Water Pressure (psi)	40 min.-125 max.	40 min.-125 max.	40 min.-125 max.
Feed Water Temperature	40-100°F	40-100°F	40-100°F
Filtered Water Flow (gpm)	0.6	0.6	0.6
Filter I (Sediment)	FXUSB	FXUSB	FXUSB
Filter Cartridge	Polyspun Depth Filter	Polyspun Depth Filter	Polyspun Depth Filter
Filter II (Carbon block)	FXULB (Lead,Cysts)	FXUTB (Taste/Odor)	FXUTB (Taste/Odor)
Filter Cartridge	Block Act. Carbon	Block Act. Carbon	Block Act. Carbon
Particulate Removal	Absolute 1 micron	Nominal 1 micron	Nominal 1 micron
Chlorine Reduction (percent / gals.)	99.5	99.5/6000	99.5/6000
Lead Reduction (percent / gals.)	95.7		
Cysts Reduction (percent / gals.)	99.98		
Turbidity Reduction (percent / gals.)	99.7		
Filter Change Indicator	Electronic	Electronic	Sticker
Optional Basement Installation (hardware not included)	●	●	●
Appearance			
Style	Bracket	Bracket	Bracket
Unit Color	White	White	White
Filter Housing	White	White	White
Weights & Dimensions			
Approximate Shipping Weight (lbs.)	7	7	7
Overall W x H x D (in.)	12 x 13 x 4-5/8	12 x 13 x 4-5/8	12 x 13 x 4-5/8
Power/Ratings			
Faucet Monitor	2 AA batteries (included)	2 AA batteries (included)	N/A
Power Requirement			
Accessories (● = included)			
Icemaker Connection Kit	UCKIT	UCKIT	UCKIT
Installation Kit	●	●	●
Wrench	●	●	●

Note: Can be installed undercounter (as shown), in basement, or other convenient location. Before installing, see installation instructions packed with product for complete details.

Models GNUL30B/GNUT05B/GNUT03B Installation Information (in inches)



NSF Certified
NSF is the most highly recognized independent testing institution in the water treatment industry. NSF inspects our manufacturing facilities, structurally tests our product, tests our product to make sure nothing harmful is added to the water and certifies our product performance as specified on the performance data sheet (inside the product box).

GNUL30B, GNUT05B and GNUL03B are Tested and Certified by NSF International against ANSI/NSF Standard 42 for Particulate Reduction Class I, Chlorine Reduction Class I and Taste and Odor Reduction.

GNUL30B is Tested and Certified by NSF International against ANSI/NSF Standard 53 for Cysts, Turbidity and Lead Reduction.

GXILQ GXITQ and GXITQR are Tested and Certified by NSF International against ANSI/NSF Standard 42 for Chlorine Reduction Class I and Taste and Odor Reduction.

GXILQ is Tested and Certified by NSF International against ANSI/NSF Standard 53 for Lead and Cyst Reduction.

GXWH30C, GXWH08C, GXWH01C are Tested and Certified by NSF International against ANSI/NSF Standard 42 for Material and Structural Integrity only.

Features	GE	
	Refrigerator/Icemaker	
	GXILQ	GXITQ
Feed Water Pressure (psi)	25 min.-125 max.	25 min.-125 max.
Feed Water Temperature	40-100°F	40-100°F
Filtered Water Flow (gpm)	0.5	0.5
Filter Life	6 months	6 months
Filter Cartridge	Act. Carbon	Act. Carbon
Particulate Removal	Nominal 5 micron	Nominal 5 micron
Chlorine Reduction (percent / gals.)	/750	93/2000
Filter Life	6 months	6 months
Lead Reduction (percent / gals.)	99/750	
Cysts Reduction (percent / gals.)	99.95/750	
Filter Change Indicator	Sticker	Sticker
Fittings	Quick Connect	Quick Connect
Plumbing connections	1/4"	1/4"
Auto Shut-Off Valve	●	●
Appearance		
Style	Bracket	
Unit Color	White	White
Filter Housing	White	White
Weights & Dimensions		
Approximate Shipping Weight (lbs.)	2	2
Overall W x H x D (in.)	16 x 2-1/2 x 2-1/2	14 x 2 x 2
Accessories (● = included)		
Installation Kit	●	●
Replacement Filter		GXITQR

Installation, Parts and Warranty Information

Caution: Do not use with water that is microbiologically unsafe or of unknown quality, without adequate disinfection before or after the system. Systems certified for cysts reduction may be used on disinfected water that may contain filterable cysts.

Replacement Filters

Call GE SmartWater Services toll-free 800.952.5039 to order replacement filters.

Water Test Kit

To order a water test kit, call 800.626.2000.

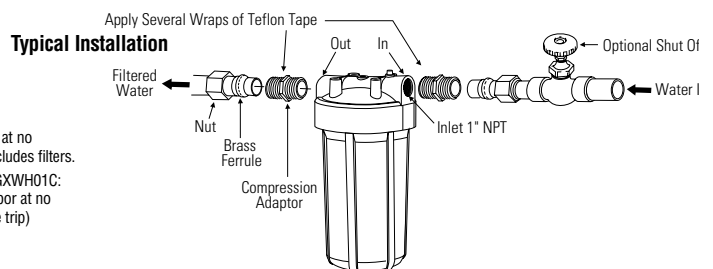
Warranty Information

Models GNUL30B, GNUT05B:
Full One-Year Warranty – (parts and labor at no additional charge) applies to entire unit, excludes filters.

Model GNUT03B, GXWH30C, GXWH08C, GXWH01C:
Limited One-Year Warranty – parts and labor at no additional charge, (does not include service trip) applies to entire unit, excludes filters.

Models GXITQ, GXITQR and GXILQ:
Limited 60-Day Warranty. Return to retailer from which it was purchased, along with a copy of "proof of purchase" for product exchange.

Features	GE		
	Household		
	GXWH30C	GXWH08C	GXWH01C
Feed Water Pressure (psi)	40 min.-100 max.	40 min.-125 max.	40 min.-125 max.
Feed Water Temperature	40-100°F	40-100°F	40-100°F
Filtered Water Flow (gpm)	4-20	4-12	4-12
Filter Life	3 months	3 months	3 months
Filter Change Indicator	Sticker	Sticker	Sticker
Suitable for 1" Plumbing Connections	●		
Bypass Valve		2-Position	
Appearance			
Unit Color	White	White	White
Filter Housing	White	Clear	White
Weights & Dimensions			
Approximate Shipping Weight (lbs.)	8	4	2
Overall W x H x D (in.)	15 x 15 x 15	5-1/2 x 14-1/2 x 5	5-1/2 x 14-1/2 x 5
Accessories (at additional cost)			
Installation Kit	●	●	WHKIT
Wrench	HDWRNCH	●	WHWRNCH
Replacement Filter			
Polyspun		●	FXUSC
String Wound		FXWSC	FXWSC
Pleated		FXWPC	FXWPC
Carbon Paper	FXHSC		
Heavy Duty Carbon	FXHTC		



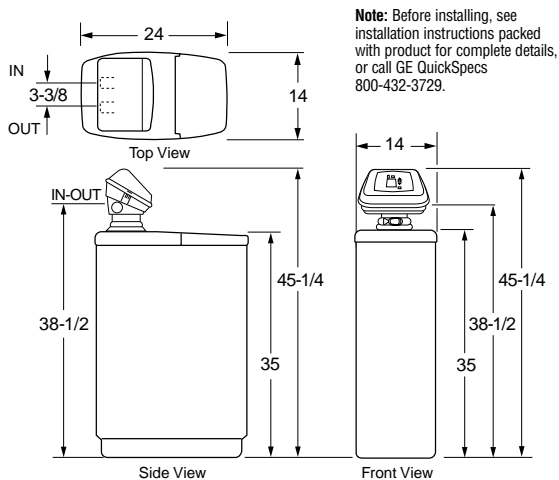
See page 153 for warranty information.

GE SmartWater™ Softening Systems

	GE Profile Performance Series™	GE Profile™	GE	
	PNSF39Z	PNSF35B	GXSF27B	GNSF18Z
Capacity				
Capacity (grains)	Super-38,500*	Extra-Large-35,000*	Large-27,000*	Compact-18,000*
Features				
Efficiency (grains per lb.-salt)	5200**	5200**	5200**	5000**
Max. Hardness Removal (gpg)	110	100	95	25
Max. Clear Water Iron Reduction (ppm)	8	6	5	3
Resin Filter Type	Std. mesh	Std. mesh	Std. mesh	Std. mesh
Resin Weight (lbs.)	52.00	49.4	36.9	38
Resin Quantity (cu. ft.)	1.00	.95	.71	.73
Resin Tank Size (in inches)	10 x 35	10 x 35	8 x 40	10 x 21
Salt Capacity (lbs.)	300	300	200	140
Water Used for Regeneration (gals.)	43-52	40-45	40-50	25-30
Regeneration Time (min.)	Approx. 118	Approx. 118	Approx. 118	Approx. 120
Service Flow Rate (at 15 psi drop)	10	9	8	7
Systems Monitor	●			
Electronic Controls	Backlit LCD	●	●	●
Permanent Settings Memory	●	●	●	●
Plumbing Connection	1"-NPT	1"-NPT	1"-NPT	1"-NPT
Appearance				
Spacesaver Design				●
Style	Cabinet	Cabinet	Round	Round
Unit Color	Grey	Grey	Grey	Grey
Electronic-Demand Driven	●	●	●	●
Weights & Dimensions				
Approximate Shipping Wt. (lbs.)	108	103	94	66
Overall W x H x D (in.)	14 x 45-1/4 x 24	14 x 45-1/4 x 24	18-1/4 x 48-3/4 x 18-1/4	18-5/8 x 29-1/2 x 18-5/8
Power/Ratings				
Electronic Rating	24V, 60Hz	24V, 60Hz	24V, 60Hz	24V, 60Hz

*PNSF39-Test protocol @ 16.0 lbs. of salt.
 PNSF35B-Test protocol @ 15.2 lbs. of salt.
 GXSF27B-Test protocol @ 11.4 lbs. of salt.
 GNSF18Z-Test protocol @ 6.3 lbs. of salt.
 **PNSF39-Test protocol @ 2.9 lbs. of salt.
 PNSF35B-Test protocol @ 2.8 lbs. of salt.
 GXSF27B-Test protocol @ 2.0 lbs. of salt.
 GNSF18Z-Test protocol @ 1.6 lbs. of salt.

Models PNSF39Z and PNSF35B Installation Information (in inches)



Note: Before installing, see installation instructions packed with product for complete details, or call GE QuickSpecs 800-432-3729.



Salt Capacity – 300 lbs.

Warranty Information

Full One-Year Warranty – (parts and labor at no additional charge) applies to entire unit.

Limited Three-Year Warranty – (parts only) applies to electronic monitor.

Limited Ten-Year Warranty – (parts only) applies to replacement cabinet (brine tank) and resin tank.

See written warranty, packed with product, for details.

Important: All units must be installed according to local codes.

See page 153 for warranty information.



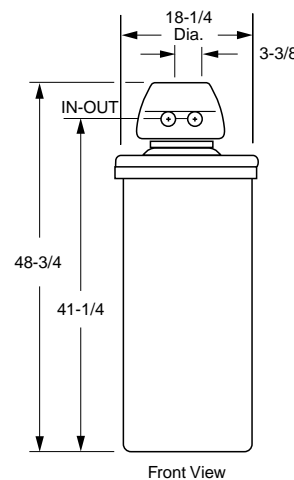
Installation Kit Included

For installing convenience, a complete installation kit with bypass valve, drain tubing and use & care video is included with product.

Water Test Kit

To order a water test kit, call 800.626.2000.

Model GXSF27B Installation Information (in inches)



Note: Before installing, see installation instructions packed with product for complete details, or call GE QuickSpecs 800-432-3729.



Salt Capacity – 200 lbs.

Warranty Information

Full One-Year Warranty – (parts and labor at no additional charge) applies to entire unit.

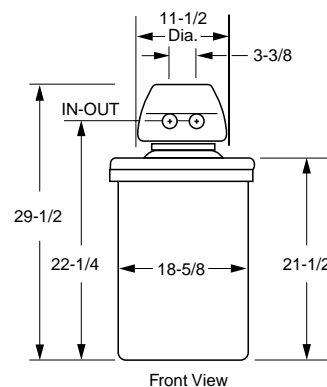
Limited Three-Year Warranty – (parts only) applies to electronic monitor.

Limited Ten-Year Warranty – (parts only) applies to replacement cabinet (brine tank) and resin tank.

See written warranty, packed with product, for details.

Important: All units must be installed according to local codes.

Model GNSF18Z Installation Information (in inches)



Note: Before installing, see installation instructions packed with product for complete details, or call GE QuickSpecs 800-432-3729.



Salt Capacity – 140 lbs.

Warranty Information

Full One-Year Warranty – (parts and labor at no additional charge) applies to entire unit.

Limited Three-Year Warranty – (parts only) applies to electronic monitor.

Limited Ten-Year Warranty – (parts only) applies to replacement cabinet (brine tank) and resin tank.

See written warranty, packed with product, for details.

Important: All units must be installed according to local codes.

Air Conditioning

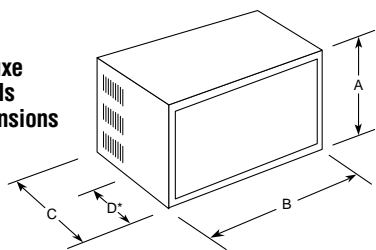
Features	GE Profile™									GE	
	230 Volt					115 Volt				Deluxe 115 Volt	
	ASM24DA	ASM22DA	ASM18DA	ASM16DA	ASM12DA	ASM14AA	ASM12AA	ASM10AA	ASM08FA	ASM06LB	
BTUH	23,700/23,100	22,000/21,500	18,000/17,500	15,800/15,500	12,500/12,200	14,000	12,500	10,000	8,000	6,000	
Voltage	230/208	230/208	230/208	230/208	230/208	115	115	115	115	115	
E.E.R. (BTUH/Watt)	8.8/8.8	8.8/8.8	10.0/10.0	10.0/10.0	10.0/10.0	10.0	10.0	10.0	10.0	10.0	
Amps	12.5/13.4	11.6/12.6	8.5/9.1	7.4/7.9	5.8/6.4	12.0	11.7	9.2	7.4	5.6	
Watts	2,695/2,625	2,500/2,440	1,800/1,750	1,580/1,550	1,250/1,220	1,400	1,250	1,000	800	600	
Plug type	Perpendicular	Perpendicular	Tandem	Tandem	Tandem	Parallel	Parallel	Parallel	Parallel	Parallel	
Energy Saver Feature (speeds)	●	●	●	●	●	●	●	●	●	●	
Electronic Control	●	●	●	●	●	●	●	●	●	●	
24-hour timer	●	●	●	●	●	●	●	●	●	●	
Dehumidification (pints/hr.)	7.2	7.0	5.5	3.6	3.4	3.5	3.4	3.0	2.5	1.6	
Circularaire™	●	●	●	●	●	●	●	●	●	●	
Fan Speeds (Cool/Fan Only)	3/3	3/3	3/3	3/3	3/3	3/3	3/3	3/3	3/2	3/2	
CFM (High Shown)	480	TBD	450	TBD	350	420	350	320	240	210	
Vent/exhaust	●	●	●	●	●	●	●	●	●	●	
Thermostat	Electronic	Electronic	Electronic	Electronic	Electronic	Electronic	Electronic	Electronic	10-Position	10-Position	
Filter type	One Touch Lift-Out	One Touch Lift-Out	One Touch Lift-Out	One Touch Lift-Out	One Touch Lift-Out	One Touch Lift-Out	One Touch Lift-Out	One Touch Lift-Out	One Touch Lift-Out	One Touch Lift-Out	
Chassis	Slide-Out	Slide-Out	Slide-Out	Slide-Out	Slide-Out	Slide-Out	Slide-Out	Slide-Out	Slide-Out	Slide-Out	
Window mounting	EZ Mount	EZ Mount	EZ Mount	EZ Mount	EZ Mount	EZ Mount	EZ Mount	EZ Mount	EZ Mount	EZ Mount	
Window opening height (min. in inches)	17-3/8	17-3/8	17-3/8	17-3/8	17-3/8	17-3/8	17-3/8	16-1/8	14-3/4	14-3/4	
Window opening width (min. in inches)	30	30	30	30	30	30	30	27-5/8	25-1/2	25-1/2	
Window opening width (max. in inches)	41	41	41	41	41	41	41	41	37	37	
Warranty*	Full 1-Yr. Full 5-Yr.	Full 1-Yr. Full 5-Yr.	Full 1-Yr. Full 5-Yr.	Full 1-Yr. Full 5-Yr.	Full 1-Yr. Full 5-Yr.	Full 1-Yr. Full 5-Yr.	Full 1-Yr. Full 5-Yr.	Full 1-Yr. Full 5-Yr.	Full 1-Yr. Full 5-Yr.	Full 1-Yr. Full 5-Yr.	
Case Dimensions											
Height (in inches) A	16-3/4	16-3/4	16-3/4	16-3/4	16-3/4	16-3/4	16-3/4	16-3/4	15-1/2	13-19/32	13-19/32
Width (in inches) B	26	26	26	26	26	26	26	26	23-5/8	20-1/2	20-1/2
Depth (in inches) C	27-3/16	27-3/16	25-3/16	25-13/16	25-13/16	25-13/16	25-13/16	25-13/16	21-27/32	17-17/32	17-17/32
Depth to louvers (in inches) D	9-1/4	9-1/4	9-1/4	9-1/4	9-1/4	9-1/4	9-1/4	9-1/4	8-21/32	7-5/32	7-5/32
Net weight (lbs.)	135	135	135	126	126	126	126	126	99	64	64
Approx. shipping weight (lbs.)	150	150	150	135	135	135	135	135	106	71	71

*See written warranty for details.

Features	GE												
	Value 230 Volt			Value 115 Volt						Slide-Aire			
	ASV24DA	AGV18DC	AGV12DB	ASV14AA	AGV12AB	AGV10AB	ASV08FA	AGV07LA	ASV06LB	ASV05LA	ASC05LA	AVX10AC	AVX07FB
BTUH	23,700/23,100	17,800/17,300	12,000/11,500	14,000	12,000	10,000	8,000	7,000	6,000	5,000	5,000	10,000	7,000
Voltage	230/208	230/208	230/208	115	115	115	115	115	115	115	115	115	115
E.E.R. (BTUH/Watt)	8.5/8.5	9.7/9.7	9.8/9.8	10.0	9.8	9.8	9.8	9.7	9.8	9.7	8.5	9.0	8.5
Amps	12.5/13.4	8.2/8.9	5.5/5.8	12.0	11.0	9.2	7.4	6.6	5.6	4.8	5.5	11.0	7.5
Watts	2,790/2,715	1,835/1,780	1,220/1,170	1,400	1,220	1,020	815	720	610	515	590	1,110	820
Plug type	Perpendicular	Tandem	Tandem	Parallel	Parallel	Parallel	Parallel	Parallel	Parallel	Parallel	Parallel	Parallel	Parallel
Energy Saver feature (speeds)	●	●	●	●	●	●	●	●	●	●	●	●	●
Dehumidification (pints/hr.)	6.5	5.5	3.5	3.5	3.3	3.0	2.5	1.8	1.6	1.5	1.5	3.1	2.5
Circularaire™	●	●	●	●	●	●	●	●	●	●	●	●	●
Fan speeds (Cool/Fan Only)	3/2	3/2	3/2	3/2	3/2	3/2	3/2	3/2	3/2	3/2	3/2	3/2	3/2
CFM (High Shown)	480	440	280	420	280	265	240	204	210	140	140	260	210
Vent/exhaust	Exhaust	Exhaust	Exhaust	Exhaust	Exhaust	Exhaust	Exhaust	Exhaust	Exhaust	Exhaust	No	Exhaust	Exhaust
Thermostat	8-Position	8-Position	8-Position	8-Position	8-Position	8-Position	8-Position	8-Position	8-Position	8-Position	8-Position	10-Position	10-Position
Filter type	One Touch Lift-Out	Rigid Frame/Slide-Out	Rigid Frame/Slide-Out	One Touch Lift-Out	Rigid Frame/Slide-Out	Rigid Frame/Slide-Out	One Touch Lift-Out	Rigid Frame/Slide-Out	One Touch Lift-Out	Rigid Frame/Slide-Out	Rigid Frame/Slide-Out	Foam	Foam
Chassis	Slide-Out	Slide-Out	Slide-Out	Slide-Out	Slide-Out	Slide-Out	Slide-Out	Slide-Out	Slide-Out	Slide-Out	Fixed	Plastic Portable	Fixed
Window mounting	EZ Mount	EZ Mount	EZ Mount	EZ Mount	EZ Mount	EZ Mount	EZ Mount	EZ Mount	EZ Mount	EZ Mount	EZ Mount	V-Std. Mount	V-Std. Mount
Window opening height (min. in inches)	17-3/8	18	16	17-3/8	16	16	14-3/4	14	14-3/4	12-7/8	13-3/16	21 - 40-1/2	21 - 40-1/2
Window opening width (min. in inches)	30	29	27	30	27	27	25-1/2	22	25-1/2	22	23	15-1/2	15-1/2
Window opening width (max. in inches)	41	41	39	41	39	39	37	36	37	36	35	—	—
Warranty*	Full 1-Yr. Full 5-Yr.	Full 1-Yr. Full 5-Yr.	Full 1-Yr. Full 5-Yr.	Full 1-Yr. Full 5-Yr.	Full 1-Yr. Full 5-Yr.	Full 1-Yr. Full 5-Yr.	Full 1-Yr. Full 5-Yr.	Full 1-Yr. Full 5-Yr.	Full 1-Yr. Full 5-Yr.	Full 1-Yr. Full 5-Yr.	Full 1-Yr. Full 5-Yr.	Full 1-Yr. Full 5-Yr.	Full 1-Yr. Full 5-Yr.
Case Dimensions (in inches)													
Height—A	16-3/4	16-7/32	15	16-3/4	15	15	13-19/32	13-7/8	13-19/32	12-3/8	13-1/8	20-1/2	20-1/2
Width—B	26	26	23-5/8	26	23-5/8	23-5/8	20-1/2	18-9/16	20-1/2	17-13/16	18-3/4	14-1/2	14-1/2
Depth—C	27-3/16	24-15/16	20-9/32	25-13/16	20-9/32	20-9/32	17-17/32	19-5/32	17-17/32	12-7/16	7-3/32	22-9/16	22-9/16
Depth to louvers—D	9-1/4	10-5/16	8-5/8	9-1/4	8-5/8	8-5/8	7-5/32	8-1/2	7-5/32	4-31/32	1	6	6
Net weight (lbs.)	135	120	95	126	95	90	64	64	64	46	46	102	84
Approx. ship. weight (lbs.)	150	133	101	135	101	96	71	70	71	51	51	106	88

*See written warranty for details.

GE Profile™ Deluxe and Value Models Wall Case Dimensions



*Distance from front of case to side louvers (excluding grille).



Parallel
115V.
15 Amp.



Perpendicular
230/208V.
20 Amp.



Tandem
230/208V.
15 Amp.



Large Tandem
230/208V.
30 Amp.

Note: When installing units in through-the-wall applications, keep louvers free. Do not restrict air flow areas. Carry-Cool units are not designed for through-the-wall applications.

Note: Some models may not be available in your area due to local legislation. Contact your local dealer.

Wall Outlets

All wiring, including installation of receptacle, must be made in accordance with local electrical codes and regulations. Electrical outlet should be in reach of line cord.

Note: Aluminum wiring may pose special problems—consult a qualified electrician.

See page 153 for warranty information.

Built-In “J” Series Units and Heat Pumps

GE										
Models	Chassis/Cool						Chassis/Cool High-Mount			
	AJCS06LC	AJCS08AC	AJCS10AC	AJCS09DC	AJCS10DC	AJCS12DC	AJCH08AC	AJCH10AC	AJCH10DC	AJCH12DC
Capacity										
BTUH-AHAM	6000	8000	9900	8900/8700	9900/9700	11,600/11,400	8000	9900	9900/9700	11,600/11,400
E.E.R.	9.5	9.2	9.2	9.5/9.5	9.2/9.2	9.0/9.0	9.2	9.2	9.2/9.2	9.0/9.0
Dehumidification (pints/hr.)	1.4	2.0	2.7	2.5	2.6	3.2	2.0	2.7	2.6	3.2
Features										
Fan speeds (Cool/Fan Only)	2/2	2/2	2/2	2/2	2/2	2/2	2/2	2/2	2/2	2/2
Airflow (cfm) roomside hi/low	210/180	250/210	250/210	250/210	250/210	265/230	250/210	250/210	250/210	265/230
Air exchange exhaust	●	●	●	●	●	●	●	●	●	●
Variable setting thermostat	●	●	●	●	●	●	●	●	●	●
Filter type	Slide-Out	Slide-Out	Slide-Out	Slide-Out	Slide-Out	Slide-Out	Slide-Out	Slide-Out	Slide-Out	Slide-Out
Rotary compressor	●	●	●	●	●	●	●	●	●	●
Economical/Quiet										
Fan cycle switch	●	●	●	●	●	●	●	●	●	●
Appearance										
Slide-out chassis	●	●	●	●	●	●	●	●	●	●
Installation	Wall	Wall	Wall	Wall	Wall	Wall	Wall	Wall	Wall	Wall
Wall case required	RAB46/47/48	RAB46/47/48	RAB46/47/48	RAB46/47/48	RAB46/47/48	RAB46/47/48	RAB46/47/48	RAB46/47/48	RAB46/47/48	RAB46/47/48
Weights & Dimensions										
Height (in inches) A	← 15-5/8 →						← →			
Width (in inches) B	← 26 →						← →			
Depth (in inches) C	← 16-7/8 →						← →			
Approx. net weight (lbs.)	66	73	82	75	82	84	75	82	84	84
Approx. shipping weight (lbs.)	75	82	90	84	90	93	84	90	93	93
Power/Ratings										
Voltage	115	115	115	230/208	230/208	230/208	115	115	230/208	230/208
Amps-AHAM	5.7	7.9	9.7	4.2/4.6	4.9/5.3	5.8/5.3	7.9	9.7	4.9/5.3	5.8/6.3
Watts input	630	870	1075	935/915	1075/1055	1290/1265	870	1075	1075/1055	1290/1265
Line cord plug	Parallel	Parallel	Parallel	Tandem	Tandem	Tandem	Parallel	Parallel	Tandem	Tandem
Recommended circuit protection (time delay)	15 Amps	15 Amps	15 Amps	15 Amps	15 Amps	15 Amps	15 Amps	15 Amps	15 Amps	15 Amps

GE							
Models	Chassis/Heat/Cool			Chassis/Heat/Cool High-Mount	Chassis/Heat Pumps		
	AJES09DC	AJES10DC	AJES12DC	AJEH12DC	AJHS08DC	AJHS10DC	
Capacity							
BTUH-AHAM	8900/8700	9900/9700	11,600/11,400	11,600/11,400	8000/7800	9800/9600	
E.E.R.	9.5/9.5	9.2/9.2		9.0/9.0	9.2/9.2	9.2/9.2	
Dehumidification (pints/hr.)	2.5	2.6		3.2	2.0	2.6	
Features							
Fan speeds (Heating/Cooling)	2/2	2/2	2/2	2/2	2/2	2/2	
Fan Only speeds	2	2	2	2	2	2	
Airflow (cfm) roomside hi/low	250/210	250/210	265/230	265/230	250/210	250/210	
Air exchange exhaust	●	●	●	●	●	●	
Variable setting thermostat	●	●	●	●	●	●	
Filter type	Slide-Out	Slide-Out	Slide-Out	Slide-Out	Slide-Out	Slide-Out	
Rotary compressor	●	●	●	●	●	●	
Economical/Quiet							
Fan cycle switch	●	●	●	●	●	●	
Appearance							
Slide-out chassis	●	●	●	●	●	●	
Wall case required	RAB46/47/48	RAB46/47/48	RAB46/47/48	RAB46/47/48	RAB46/47/48	RAB46/47/48	
Installation	Wall	Wall	Wall	Wall	Wall	Wall	
Window installation kit	Optional	Optional	Optional	Optional	Optional	Optional	
Weights & Dimensions							
Height (in inches) A	← 15-5/8 →			← →			
Width (in inches) B	← 26 →			← →			
Depth (in inches) C	← 16-7/8 →			← →			
Approx. net weight (lbs.)	77	84	84	86	75	84	
Approx. shipping weight (lbs.)	86	93	93	95	84	93	
Power/Ratings							
Voltage	230/208	230/208	230/208	230/208	230/208	230/208	
Amps-AHAM	4.2/4.6	4.9/5.3	5.8/6.3	5.8/6.3	4.0/4.3	4.9/5.3	
Watts input	935/915	1075/1055	1290/1265	1290/1265	870/850	1065/1045	
Line cord plug	Perpendicular	Perpendicular	Perpendicular	Perpendicular	Perpendicular	Perpendicular	
Recommended circuit protection (time delay)	20 Amps	20 Amps	20 Amps	20 Amps	20 Amps	20 Amps	
Reverse Cycle Heating							
BTUH-AHAM					7700/7500	9700/9500	
C.O.P. @ 47°F					3.0	3.0	
Amps-AHAM					3.4/3.7	4.3/4.7	
Watts input					750/730	950/930	
Electric Resistance Heating							
BTUH-AHAM	11,600/9500	11,600/9500	11,600/9500	11,600/9500	11,600/9500	11,600/9500	
Amps (Max. connected load)	16.0	16.0	16.0	16.0	16.0	16.0	
Watts output	3400/2780	3400/2780	3400/2780	3400/2780	3400/2780	3400/2780	

All cooling with electric heat models and heat pumps are corrosion treated. Specifications and design subject to change without notice.

Heat/Cool and Window/Built-In "J" Series Units and Heat Pumps

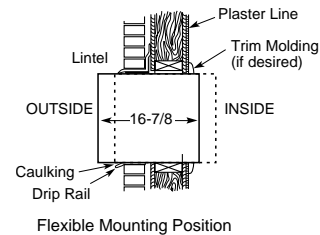
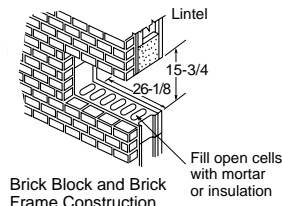
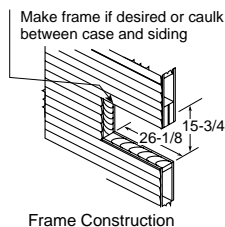
Features	GE Heat/Cool			GE "J" Series						
	Heat/Cool Units			Heat/Cool Units			Heat Pump	Cooling Only Units		
	AVE22DA**	AVE18DA**	AVE15DA**	AJES10DS**	AJES08AS**	AJES06LS**	AJHS08AS**	AJCS10AZ	AJCS08AZ	AJCS06LZ
Cooling BTUH-AHAM	22,000/21,300	18,000/17,500	15,000/14,500	9,900/9,700	8,000	6,000	8,000	9,900	8,000	6,000
Heating BTUH-AHAM	16,000/13,400	10,200/8,700	10,200/8,700	11,600/9,400	4,100	4,100	4,100			
Voltage	230/208	230/208	230/208	230/208	115	115	115	115	115	115
E.E.R. (BTUH/Watt)	8.2/8.2	9.5/9.5	9.0/9.0	9.2/9.2	9.2	9.5	9.2	9.2	9.2	9.5
Rated cooling amps - AHAM	13.0/14.2	7.9/8.5	7.5/8.1	4.9/5.3	7.9	5.7	7.9	9.7	7.9	5.7
Cooling watts	2,680/2,600	1,890/1,840	1,670/1,610	1,075/1,055	870	630	870	1,075	870	630
Rated heating amps - AHAM	22.8/20.9	15.0/13.5	15.0/13.5	15.5/14.0	12.0	12.0	12.0			
Circuit size, amps	30	20	20	20	15	15	15	15	15	15
Plug type (see below)	Tandem	Perpendicular	Perpendicular	Perpendicular	Parallel	Parallel	Parallel	Parallel	Parallel	Parallel
Line cord plug recommended circuit protection (time delay)				20 Amps	15 Amps	15 Amps	15 Amps	15 Amps	15 Amps	15 Amps
Line cord length	55' left	55' left	55' left							
Dehumidification (pints/hr.)	8.2	5.5	4.3	2.6	2.0	1.4	2.0	2.7	2.0	1.4
CFM (high shown)	500	450	420	250	250	210	230	250	250	210
Air exchange exhaust	●	●	●	●	●	●	●	●	●	●
Variable air discharge	4-Way	4-Way	4-Way	4-Way	4-Way	4-Way	4-Way	4-Way	4-Way	4-Way
Control Door	●	●	●							
Fan speeds: Cooling/Heating	2/2	2/2	2/2	2/2	2/2	2/2	2/2	2	2	2
Fan Only position	1	1	1	2	2	2	2	2	2	2
Fan cycle switch				●	●	●	●	●	●	●
Thermostat	10-Position	10-Position	10-Position	Variable Setting	Variable Setting	Variable Setting	Variable Setting	Variable Setting	Variable Setting	Variable Setting
Filter type	Rigid/Slide-Out	Rigid/Slide-Out	Rigid/Slide-Out	Slide-Out	Slide-Out	Slide-Out	Slide-Out	Slide-Out	Slide-Out	Slide-Out
Chassis	Slide-Out	Slide-Out	Slide-Out	Slide-Out	Slide-Out	Slide-Out	Slide-Out	Slide-Out	Slide-Out	Slide-Out
Compressor type	Recip.	Rotary	Rotary	Rotary	Rotary	Rotary	Rotary	Rotary	Rotary	Rotary
Window mounting	Rigid Panel	Rigid Panel	Rigid Panel	Standard	Standard	Standard	Standard	EZ Mount	EZ Mount	EZ Mount
Window opening height (min. in inches)	18-5/8	18-5/8	18-5/8	17	17	17	17	17	17	17
Window opening width (min. in inches)	26-3/4	26-3/4	26-3/4	31	31	31	31	31	31	31
Window opening width (max. in inches)	40	40	40	42	42	42	42	41	41	41
Case Dimensions										
Height (in inches) A	17-1/4	17-1/4	17-1/4	15-5/8	15-5/8	15-5/8	15-5/8	15-5/8	15-5/8	15-5/8
Width (in inches) B	26-1/2	26-1/2	26-1/2	26	26	26	26	26	26	26
Depth (in inches) C	27-5/8	23-5/8	23-5/8	16-7/8	16-7/8	16-7/8	16-7/8	16-7/8	16-7/8	16-7/8
Depth to louvers (in inches) D	10-3/4	9-1/8	9-1/8	None	None	None	None	None	None	None
Net weight (lbs.)	172	123	120	108	96	89	98	105	93	86
Approx. shipping weight (lbs.)	185	130	127	117	105	98	107	114	102	95
Warranty*	Full 1-Yr. Full 5-Yr.	Full 1-Yr. Full 5-Yr.	Full 1-Yr. Full 5-Yr.	Full 1-Yr. Full 5-Yr.	Full 1-Yr. Full 5-Yr.	Full 1-Yr. Full 5-Yr.	Full 1-Yr. Full 5-Yr.	Full 1-Yr. Full 5-Yr.	Full 1-Yr. Full 5-Yr.	Full 1-Yr. Full 5-Yr.
Heating Capacity - Reverse Cycle										
BTUH - AHAM - H.P.							7,700			
Rated Heating Amps - AHAM							6.8			
COP @ 47°							3.0			
Heating Capacity - Electric										
BTUH - AHAM - I ² R	16,000/13,400	10,200/8,700	10,200/8,700	11,600/9,480	4,100	4,100	4,100			
Rating Heating Amps - AHAM	22.8/20.9	15.0/13.5	15.0/13.5	15.5/14.0	12.0	12.0	12.0			
Total Heating Load Watts	5,200/4,280	3,320/2,690	3,320/2,690	3,400/2,780	1,200	1,200	1,200			

*See written warranty for details.
**These units are not intended to be the primary source of heat.

Built-In Room Air Conditioners Wall Opening for RAB46/47/48 Cases

A finished opening of 26-1/8" x 15-3/4", clear of intrusions, is required. Keep clearance of 4" from side walls. Brick veneer or frame walls should have wood studding surrounding case to provide firm anchoring with screws. Case can be fastened directly to brick or block walls with screws sunk in lead expansion shields.

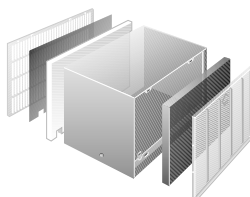
Note: Units should be caulked on all four sides of case to the building exterior to assure building integrity.



Two Wall Cases for Tenant Option Installation
When the air conditioner is offered as a tenant option, these wall cases provide protection against outside elements.

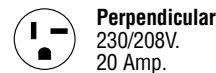
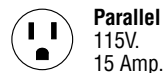
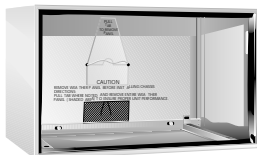
RAB47—includes wall case, exterior grille, weather panel and steel closure panels.

RAB48—includes wall case, exterior grille, steel closure panel and two layers of insulation.



Standard Wall Case RAB46

Solid-sided wall case fabricated of galvanized steel with baked enamel finish. Welded areas are coated with a sealing compound to help resist rust and corrosion. Polymer gasket surrounds opening to assure tight weather seal. Aluminum grille (RAG13) is included. Panels on interior and between case and grille provide weather protection prior to installation of chassis.



Wall Outlets

All wiring, including installation of receptacle, must be made in accordance with local electrical codes and regulations. Electrical outlet should be in reach of line cord.

Note: Aluminum wiring may pose special problems—consult a qualified electrician.

Note: Some models may not be available in your area due to local legislation. Contact your local dealer.

Note: When installing slide out chassis units in through-the-wall applications, keep louvers free. Do not restrict air flow areas. Fixed chassis units are not suitable for through-the-wall applications.



Listed by Underwriters Laboratories



Total capacity and E.E.R. ratings are calculated based on the Association of Home Appliance Manufacturers' standards.



See page 153 for warranty information.

Quiet-Aire™ – Split System Air Conditioners/Heat Pumps

	GE					
	Cooling Only			Heat Pumps		
	AS1CD09AA0	AS1CD12AA0	AS1CD18DA0	AS1RD09AA0	AS1RD12AA0	AS1RD18DA0
Indoor Outdoor	ASOCD09AA0	ASOCD12AA0	ASOCD18DA0	ASORD09AA0	ASORD12AA0	ASORD18DA0
Cooling capacity (BTU/hr)	9,000	12,000	18,000/17,800	9,000	12,000	18,000/17,800
Heating capacity (BTU/hr)	N/A	N/A	N/A	9,000	12,000	19,000/18,700
Auto operation	●	●	●	●	●	●
Cooling fan speeds/fan only	3/3	3/3	3/3	3/3/3	3/3/3	3/3/3
LCD wireless remote	●	●	●	●	●	●
"Sleep Mode"	●	●	●	●	●	●
24 Hr. Timer (Delay Start/Pre-Set Stop)	●	●	●	●	●	●
Air flow, up & down—auto	●	●	●	●	●	●
Air flow, left/right—manual	●	●	●	●	●	●
EER, cooling	9.6	9.3	9.5/9.5	10.0	9.3	9.5/9.5
SEER, cooling	10.0	10.0	10.0/10.0	10.0	10.0	10.0/10.0
COP, heating	N/A	N/A	N/A	3.1	2.75	2.9/2.9
Watts, cooling	940	1290	1900/1870	900	1290	1900/1870
Watts, heating	N/A	N/A	N/A	860	1290	1900/1870
Voltage/Phase/Hz	115/60/1	115/60/1	230-208/60/1	115/60/1	115/60/1	230-208/60/1
Amperes, cooling	8.5	11.7	8.5/9.0	8.0	11.7	8.5/9.0
Amperes, heating	N/A	N/A	N/A	7.7	11.7	8.5/9.0
Temperature range—cool (°F)	64-86	64-86	64-86	64-86	64-86	64-86
Temperature range—heat (°F)	N/A	N/A	N/A	60-86	60-86	60-86
Temperature increments (°F)	2	2	2	2	2	2
Dehumidification (pints/hr.)	2.6	3.5	5.3	2.6	3.5	5.3
CFM (Indoor/Outdoor)	280/882	330/882	460/1835	280/882	330/882	460/1835
Washable air filter	●	●	●	●	●	●
Tube kit	Optional	Optional	Optional	Optional	Optional	Optional
Weights & Dimensions						
Indoor (H x W x D inches)	11.4 x 35.4 x 7.2	11.4 x 35.4 x 7.2	11.4 x 42.6 x 7.2	11.4 x 35.4 x 7.2	11.4 x 35.4 x 7.2	11.4 x 42.6 x 7.2
Weight (lbs.) shipping/net	28.7/19.8	28.7/19.8	33.0/24.2	28.7/19.8	28.7/19.8	33.0/24.2
Color	Dove White	Dove White	Dove White	Dove White	Dove White	Dove White
Carton (H x W x D inches)	14.6 x 38.2 x 9.9	14.6 x 38.2 x 9.9	14.6 x 45.6 x 9.9	14.6 x 38.2 x 9.9	14.6 x 38.2 x 9.9	14.6 x 45.6 x 9.9
Outdoor (H x W x D inches)	21.9 x 31.6 x 10.3	21.9 x 31.6 x 10.3	25.8 x 34.3 x 12.6	21.9 x 31.6 x 10.3	21.9 x 31.6 x 10.3	25.8 x 34.3 x 12.6
Weight (lbs.) shipping/net	83.8/77.2	83.8/77.2	130/121	83.8/77.2	83.8/77.2	130/121
Color	Pigeon Grey	Pigeon Grey	Pigeon Grey	Pigeon Grey	Pigeon Grey	Pigeon Grey
Carton (H x W x D inches)	23.9 x 37.8 x 15.1	23.9 x 37.8 x 15.1	28.1 x 40.3 x 17.4	23.9 x 37.8 x 15.1	23.9 x 37.8 x 15.1	28.1 x 40.3 x 17.4

Optional Tube Kits

	9,000 BTU/Hr. Models	
	TUS1542	TUS2542
Insulated Tubing	15'	25'
Wiring	30'	30'
Wall Hole Sleeve	Standard	Standard
Suction Line	0.5"	0.5"
Liquid Line	0.25"	0.25"

	12,000 BTU/Hr. Models	
	TUS1542	TUS2542
Insulated Tubing	15'	25'
Wiring	30'	30'
Wall Hole Sleeve	Standard	Standard
Suction Line	0.5"	0.5"
Liquid Line	0.25"	0.25"

	18,000 BTU/Hr. Models	
	TUS1553	TUS2553
Insulated Tubing	15'	25'
Wiring	30'	30'
Wall Hole Sleeve	Standard	Standard
Suction Line	0.625"	0.625"
Liquid Line	0.375"	0.375"

Zoneline Specifications—Heater Wattage and Power Connection Kits

Deluxe Line: 2200, Dry Air 25 and 3200 Series

Models are manufactured with fixed heater wattages with the appropriate power cord attached (all 265 volt models are permanently connected).
5.0 KW heaters are not available on 7,000 BTUH models.

Voltage	Heater Amps	Heater Designator	Watts	KWH	Minimum Ampacity	BTUH
230/208	11.1/10.0	2	2550/2090	2.55/2.09	15	8600/7100
230/208	15.0/13.6	3	3450/2820	3.45/2.82	20	11,700/9600
230/208	21.7/19.7	5	5000/4090	5.00/4.09	30	17,000/13,900
265	7.5	2	2000	2.0	15	6,800
265	11.3	3	3000	3.0	15	10,200
265	15.1	4	4000	4.0	20	13,600
265	18.9	5	5000	5.0	30	17,000

Premium Line: 5200 Series

Power Connection Kits are REQUIRED on Premium Zoneline Chassis. (See chart.)

The correct kit for the installation is determined by the voltage and amperage of the electrical circuit and the means of connecting the unit to the building wiring. If the unit is to be plugged into a receptacle, a line cord kit would be used; if the unit is to be permanently connected, a permanent connection kit would be used.

Note: 265 volt cord set units must be installed in compliance with National Electrical Code®.

Power Connection Kit
 Required on premium models. See specification sheet for heater KW and branch circuit ampacity.

Receptacles/Sub-bases



RAK3152/3202/3302
 230/208 volt Line Cord Connection Kit



Tandem
 230/208V 15 Amp
 NEMA6-20R



Perpendicular
 230/208V 20 Amp
 NEMA6-20R



Large Tandem
 230/208V 30 Amp
 NEMA6-30R



265V 15 Amp
 NEMA7-15R;
 receptacle used on
 265V sub-base GE0715



265V 20 Amp
 NEMA7-20R;
 receptacle used on
 265V sub-base GE0720-3



265V 30 Amp
 NEMA7-30R;
 receptacle used on
 265V sub-base GE073

230/208 Volt—Line Cord Connected Units

Power Connection Kit	RAK3152	RAK3202	RAK3302
Heater KW	2.55/2.09	3.45/2.82	5.00/4.09
Watts	2550/2090	3450/2820	5000/4090
BTUH	8600/7100	11,700/9600	17,000/13,900
Amps	11.1/10.0	15.0/13.6	21.7/19.7
Min. Circuit Amps	15	20	30
Recommended Protective Device	15 Amp Time Delay Fuse or Breaker	20 Amp Time Delay Fuse or Breaker	30 Amp Time Delay Fuse or Breaker

265 Volt—Permanent Connected Units* (Cord Set)

Power Connection Kit	RAK5152	RAK5172	RAK5202	RAK5302
Heater KW	1.7	3.0	3.7	5.0
Watts	1700	3000	3700	5000
BTUH	5800	10,200	12,600	17,000
Amps	6.4	11.3	14.0	18.9
Min. Circuit Amps	15	15	20	30
Recommended Protective Device	15 Amp Time Delay Fuse	15 Amp Time Delay Fuse	20 Amp Time Delay Fuse	30 Amp Time Delay Fuse

*To be used with sub-base.

Sub-bases

	RAK204U	RAK204D20	RAK204D30	RAK204E15	RAK204E20	RAK204E30
Voltage	N/A	230/208	230/208	265	265	265
Amps	N/A	15/20	30	15	20	30
Receptacle	N/A	NEMA6-20R	NEMA6-30R	NEMA7-15R	NEMA7-20R	NEMA7-30R

265 Volt units are to be direct connected. Cordset through enclosed chaseway into interior sub-base receptacle meets the NEC requirements.

Zoneline Packaged Terminal Unit Specifications

230/208V Models	GE						
	Deluxe Series—Cooling and Electric Heat				Dry Air 25		
	2200 Series Units				Dry Air 25		
	AZ22E07D	AZ22E09D	AZ22E12D	AZ22E15D	AZ22E07D*P	AZ22E09D*P	AZ22E12D*P
Capacity							
Cooling BTUH	7,100/6,900	9,000/8,800	11,700/11,500	14,600/14,300	6,800/6,600	8,600/8,400	11,200/11,000
EER (BTU/Watt)	11.6/11.6	11.3/11.3	10.7/10.7	9.6/9.6	11.1/11.1	10.8/10.8	10.2/10.2
Dehumidification Pts/Hr	1.7	2.7	3.6	4.5	2.2	3.4	4.5
Features							
CFM, Indoor Fan High	240	260	270	310	230	230	240
CFM, Indoor Fan Low	210	230	240	280	200	200	210
Vent CFM	40/35	65/60	70/65	70/65	40/35	65/60	70/65
Power/Ratings							
Power Factor	95	96	97	94	95	96	97
Sensible Heat Ratio @ 230 Volts	75%	68%	67%	67%	66%	58%	57%
Watts	610/595	795/780	1095/1075	1520/1490	610/595	795/780	1095/1075
Amperes, F.L.	2.8/3.0	3.6/3.9	4.9/5.3	7.0/7.5	2.8/3.0	3.6/3.9	4.9/5.3
Amperes, L.R.	19.0	21.0	33.0	38.0	19.0	21.0	33.0
Weight (Ship/Net)**	119/103	122/105	131/114	138/122	124/108	127/110	136/119

265V Models	AZ22E07E	AZ22E09E	AZ22E12E	AZ22E15E	AZ22E07E*P	AZ22E09E*P	AZ22E12E*P
Capacity							
Cooling BTUH	7,100	9,000	11,700	14,600	6,800	8,600	11,200
EER (BTU/Watt)	11.6	11.3	10.7	9.6	11.1	10.8	10.2
Dehumidification Pts/Hr	1.7	2.7	3.6	4.5	2.2	3.4	4.5
Features							
CFM, Indoor Fan High	240	260	270	310	230	230	240
CFM, Indoor Fan Low	210	230	240	280	200	200	210
Vent CFM	40	65	70	70	40	65	70
Power/Ratings							
Power Factor	90	94	94	96	96	94	94
Sensible Heat Ratio @ 265 Volts	75%	68%	67%	67%	66%	58%	57%
Watts	610	795	1095	1520	610	795	1095
Amperes, F.L.	2.4	3.2	4.4	6.0	2.4	3.2	4.4
Amperes, L.R.	16.0	18.0	24.0	31.0	16.0	18.0	24.0
Weight (Ship/Net)**	119/103	122/105	131/114	138/122	124/108	127/110	136/119

* For Dry Air 25 model number, designate respective heater number using chart above, followed by the letter "P".
 ** ICR adds 3 pounds to unit weight.

Zoneline Installation

Simple Three-Step Installation

Zoneline heat pumps and heat/cool units are designed for easy installation, off or flush with the floor. When the SMC fiberglass-reinforced polyester sleeve is installed, the chassis simply slides into place.

Compatibility with existing Zoneline wall cases and rear grilles simplifies retrofit installations. A new chassis simply slides into the already installed wall case; the existing rear grille may be used as is, or with a minor modification for greater operating efficiency.

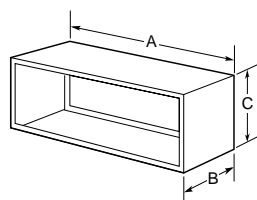
And the exclusive Quick Connect power supply kit with Premium Series makes it easy to connect the new unit to power sources already in place.

1. Frame the Opening. The RAB77A SMC wall case requires an opening of 16-1/2" high x 42-3/8" wide. Position the sleeve, secure it to the studs and then caulk. Complete instructions are furnished with each unit.

2. Connect the Electrical Supply. Each Zoneline unit requires a 230/208V or 265V power supply. *It is strongly recommended that electrical connections be made by a qualified electrician.* All wiring, including installation of the receptacle, must be in accordance with local codes.

3. Slide In Chassis. With the wall sleeve, electrical receptacle, and exterior grille in place, the separate chassis simply slides into position. Install the roomside cabinet, and plug into the electrical receptacle. You are now ready for many years of quiet comfort.

Wall Case Dimensions

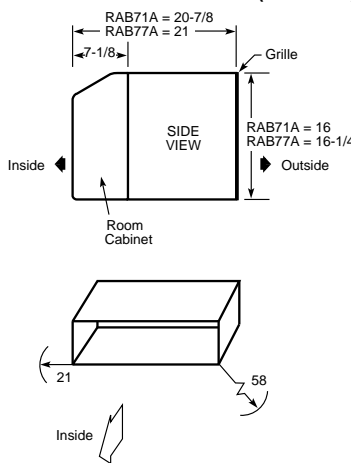


RAB71 Insulated Wall Case
 Heavy-gauge galvanized steel, with insulation.
 A-42", B-13-3/4", C-16"

RAB77 Wall Case
 Molded SMC fiberglass-reinforced polyester compound.
 A-42-1/8", B-13-7/8", C-16-1/4"

Wall Opening Dimensions
 Add 1/4" to A and C dimensions for all cut-out size.
 RAB71—16-1/4" min. H x 42-1/4" min. W
 RAB77—16-1/2" min. H x 42-3/8" min. W

Maximum Cord Extension (in inches)



Electrical Wiring

All wiring, including installation of receptacle, must be made in accordance with local electrical codes and regulations.

Note: Aluminum wiring may pose special problems—consult a qualified electrician.

Cooling Sizes

All units come in four nominal cooling sizes: 7100, 9000, 12,000 and 15,000 BTUH.

Resistance Heat

Resistance heat or back-up heat determined by Quick Connect power cord on the Premium Series and selected heater size for the Value Series (15 amp. 8600 BTU, 20 amp. 11,700 BTU and 30 amp. 17,000 BTU @ 230 volt).

Grille Options

Stamped Aluminum Grille—RAG60
 Molded Exterior Architectural Louvers (Cycology)
 RAG61 or RAG64 (Beige)
 RAG62 or RAG65 (Maple)
 RAG63 or RAG66 (Bittersweet)
 RAG67 (Extruded Aluminum)

Ducted Applications

2200 and 3200 series can be used with ductwork to heat or cool more than one room. RAK6052 Duct Adapter is applied to top of case over air discharge/RAK601 Duct Extension is applied to right or left of adapter. Locally fabricated ductwork may be added to extend to maximum recommended distance of 15 feet.

Electrical Connection

230/208 volt units may be plugged into a receptacle. 265 volt units and special application 230/208 volt units require direct connection. See Architects and Engineers Design Data Manual for electrical connection information including use of sub-base for direct connected units. Installation must comply with local electrical codes and regulations.

For the most current updates to features, specifications and installations or applications, visit our website at www.zoneline.com.

Zoneline Packaged Terminal Unit Specifications (continued)

230/208V Models	GE							
	Deluxe Series—Heat Pump Units				Premium Series—Heat Pump Units			
	3200 Series Units				5200 Series Units			
	AZ32H07D	AZ32H09D	AZ32H12D	AZ32H15D	AZ52H07D	AZ52H09D	AZ52H12D	AZ52H15D
Capacity								
Cooling BTUH	7,100/6,900	9,000/8,800	11,700/11,500	14,600/14,300	7,100/6,800	9,000/8,800	11,800/11,600	14,700/14,400
EER (BTU/Watt)	11.6/11.6	11.3/11.3	10.7/10.7	9.6/9.6	12.0/12.0	11.3/11.3	10.7/10.7	10.0/10.0
Dehumidification Pts/Hr	1.7	2.7	3.6	4.5	1.7	2.8	3.6	4.8
Features								
CFM, Indoor Fan High	250	260	280	310	240	290	330	350
CFM, Indoor Fan Low	220	230	250	280	220	270	310	330
Vent CFM	40/35	65/60	70/65	70/65	40/35	65/60	70/65	70/65
Power/Ratings								
Power Factor	95	96	97	94	95	96	94	95
Sensible Heat Ratio @ 230 Volts	75%	68%	67%	67%	75%	67%	68%	65%
Watts	610/595	795/780	1095/1075	1520/1490	590/565	795/780	1105/1085	1470/1440
Amperes, F.L.	2.8/3.0	3.6/3.9	4.9/5.3	7.0/7.5	2.7/2.9	3.6/3.9	5.1/5.5	6.7/7.3
Amperes, L.R.	19.0	21.0	33.0	38.0	19.0	21.0	33.0	38.0
Reverse Cycle Heat BTUH	6400/6200	8400/8200	10900/10700	13400/13200	6,400/6,200	8,400/8,200	10,900/10,700	13,400/13,200
COP	3.5/3.5	3.5/3.5	3.3/3.3	3.1/3.1	3.5/3.5	3.5/3.5	3.3/3.3	3.1/3.1
Watts	535/520	705/685	970/950	1265/1250	535/520	700/685	970/950	1,265/1,250
Amps	2.4/2.6	3.1/3.4	4.3/4.7	5.8/6.3	2.4/2.6	3.1/3.3	4.3/4.7	5.8/6.3
Weight (Ship/Net)*	125/109	127/111	131/121	145/129	129/104	122/106	132/116	143/127

265V Models	GE							
	Deluxe Series—Heat Pump Units				Premium Series—Heat Pump Units			
	3200 Series Units				5200 Series Units			
	AZ32H07E	AZ32H09E	AZ32H12E	AZ32H15E	AZ52H07E	AZ52H09E	AZ52H12E	AZ52H15E
Capacity								
Cooling BTUH	7,100	9,000	11,700	14,600	7,100	9,000	11,800	14,700
EER (BTU/Watt)	11.6	11.3	10.7	9.6	12.0	11.3	10.7	10.0
Dehumidification Pts/Hr	1.7	2.7	3.6	4.5	1.7	2.8	3.6	4.8
Features								
CFM, Indoor Fan High	250	260	280	310	240	290	330	350
CFM, Indoor Fan Low	220	230	250	280	220	270	310	330
Vent CFM	40	65	70	70	40	65	70	70
Power/Ratings								
Power Factor	96	94	94	96	97	94	93	96
Sensible Heat Ratio @ 265 Volts	75%	68%	67%	67%	75%	67%	68%	65%
Watts	610	795	1095	1520	590	795	1105	1470
Amperes, F.L.	2.4	3.2	4.4	6.0	2.3	3.2	4.5	5.8
Amperes, L.R.	16.0	18.0	24.0	31.0	16.0	18.0	24.0	31.0
Reverse Cycle Heat BTUH	6,400	8,400	11,900	13,400	6,400	8,400	10,900	13,400
COP	3.5	3.5	3.3	3.1	3.5	3.5	3.3	3.1
Watts	535	700	970	1265	535	700	970	1,265
Amps	2.2	2.8	3.9	5.0	2.2	2.7	3.9	5.0
Weight (Ship/Net)**	125/109	127/111	131/121	145/129	120/104	122/106	132/116	143/127

*ICR adds 3 pounds to unit weight.

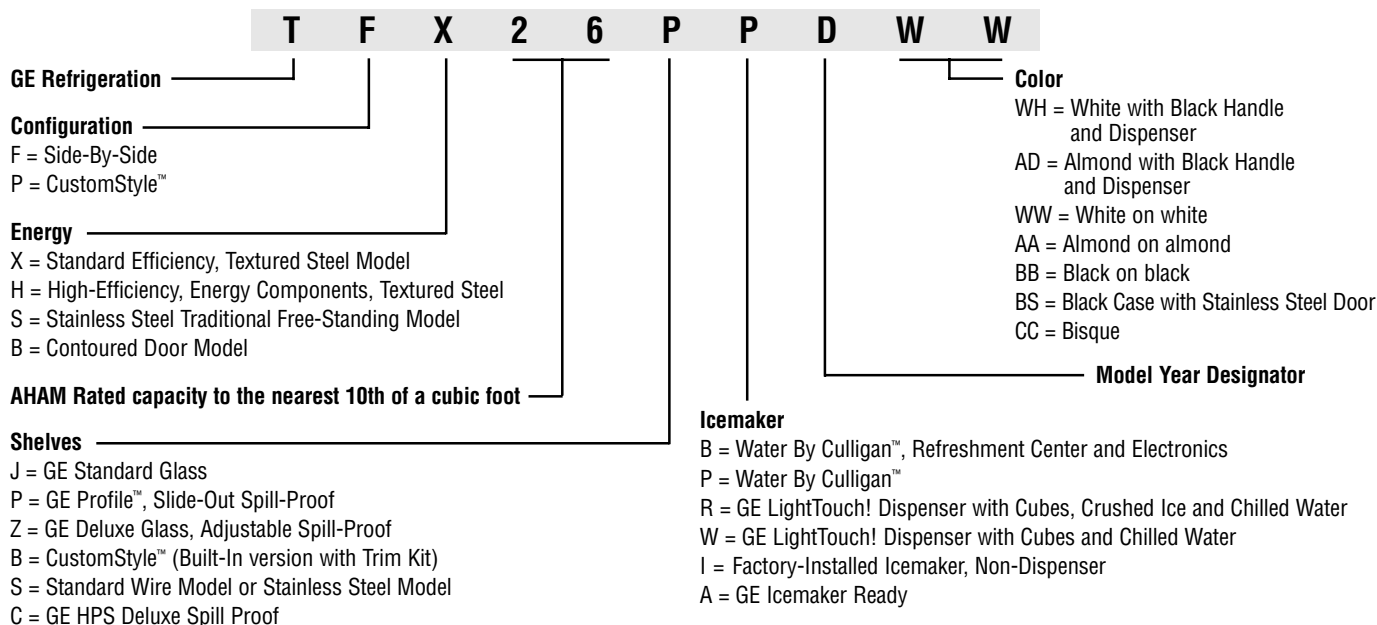
Dehumidifiers

Features	GE Profile™	GE		
	AHG20LA	AHG50LA	AHG40LA	AHG25LA
Dehumidification (pints/day)	19	50	40	25
Dry Airflow (CFM)	63	113	131	134
Color	Gray	Cameo White	Cameo White	Cameo White
Electronic Control	●			
Auto Shut Off	●	●	●	●
Automatic Defrost	●	●	●	●
Water Full indicator	●	●	●	●
Fan speeds	1	2	2	2
Removable bucket with handle	●	●	●	●
Bucket capacity (pints)	6	21	21	21
External drain connector	●	●	●	●
Casters - 4 movable	●	●	●	●
Voltage	115	115	115	115
Watts	450	580	550	450
Amps	5.3	5.3	5.1	5.3
Circuit size (Amps)	15	15	15	15
Plug type	Parallel	Parallel	Parallel	Parallel
Case Dimensions				
Height (in inches)	22-5/8	20-7/8	20-7/8	20-7/8
Width (in inches)	12-1/4	12-5/8	12-5/8	12-5/8
Depth (in inches)	10-5/8	17-1/8	17-1/8	17-1/8
Shipping weight (lbs.)	42	48	48	54
Net weight (lbs.)	38	43	43	50
Warranty*	Full 1-Yr.	Full 1-Yr.	Full 1-Yr.	Full 1-Yr.
	Full 5-Yr.	Full 5-Yr.	Full 5-Yr.	Full 5-Yr.

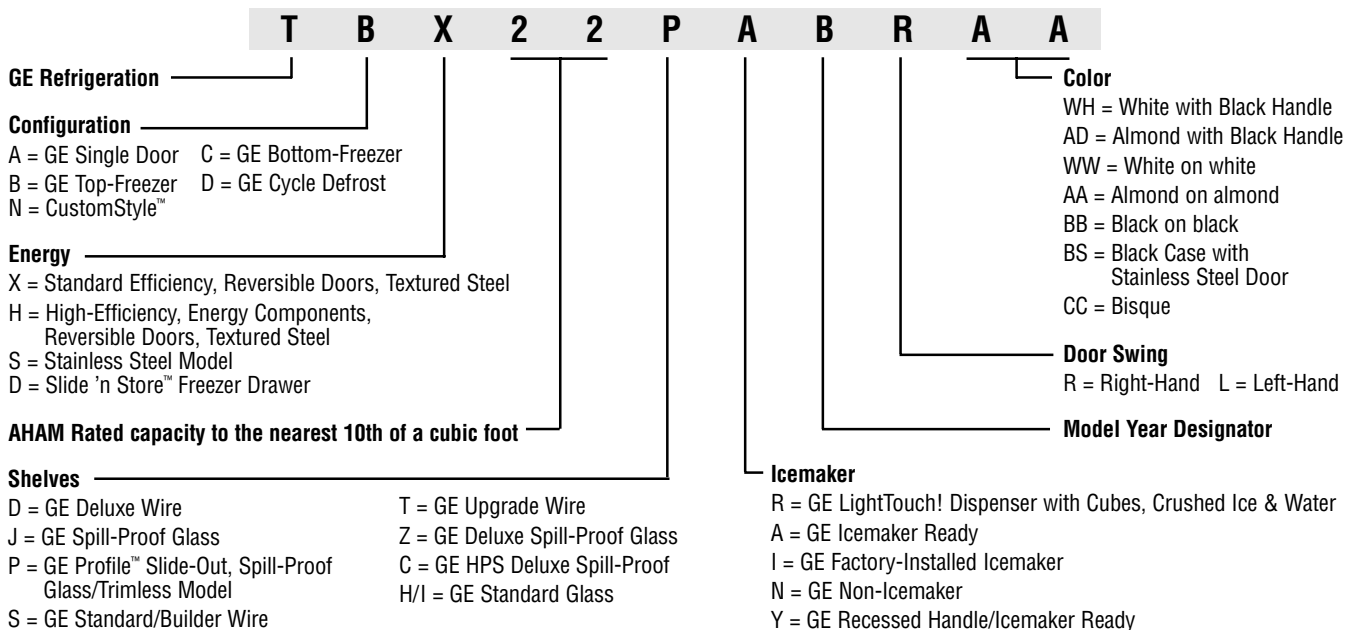
*See written warranty for details.

See page 153 for warranty information.

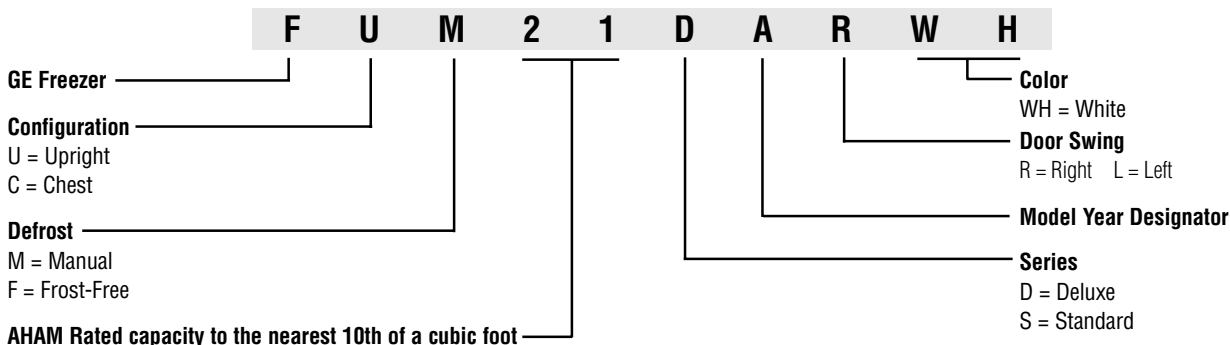
Reading Side-By-Side Refrigerator Nomenclature



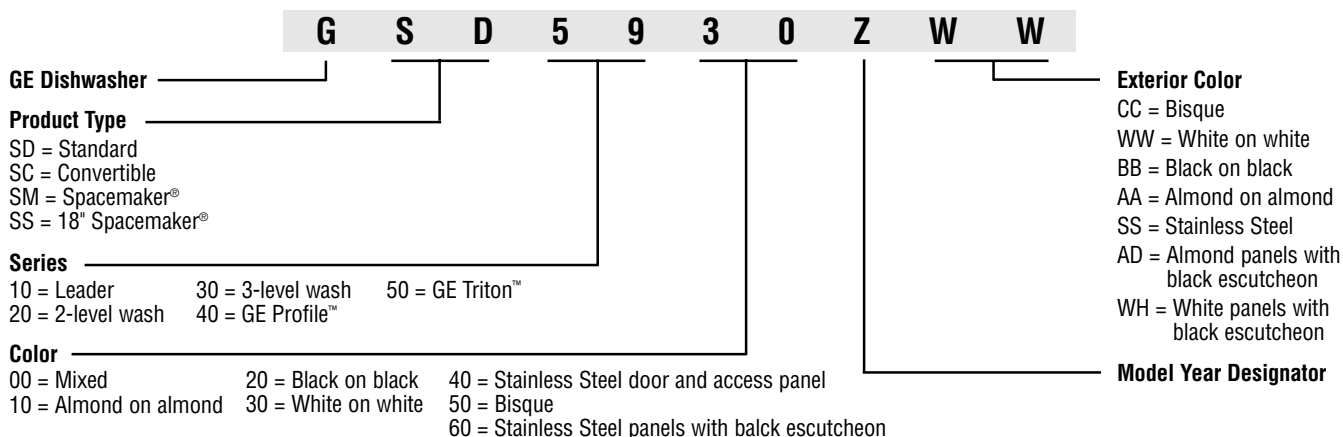
Reading Top- and Bottom-Freezer Refrigerator Nomenclature



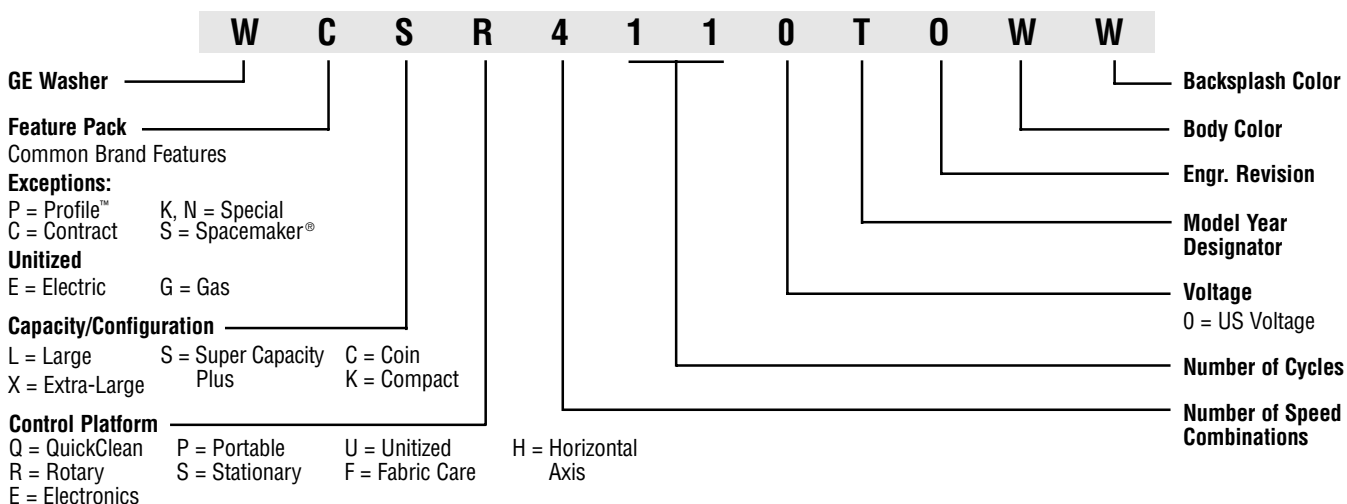
Reading Freezer Nomenclature



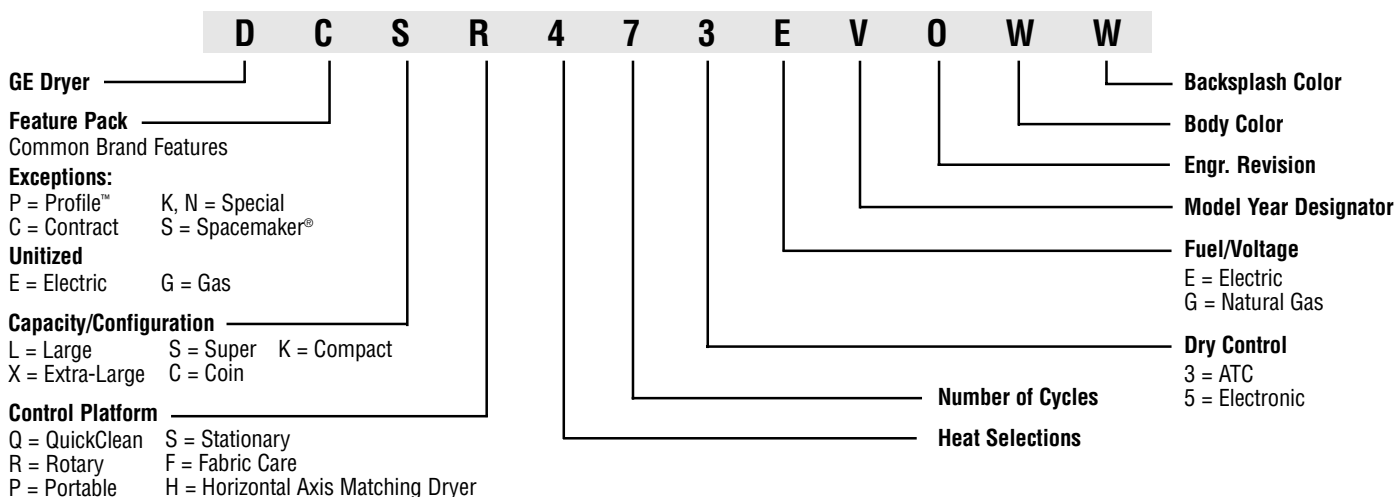
Reading Dishwasher Nomenclature



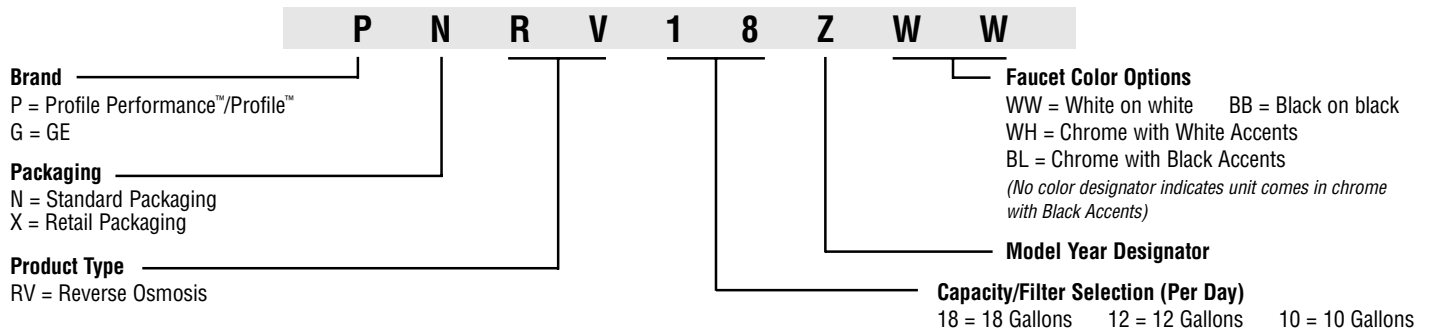
Reading Washer Nomenclature



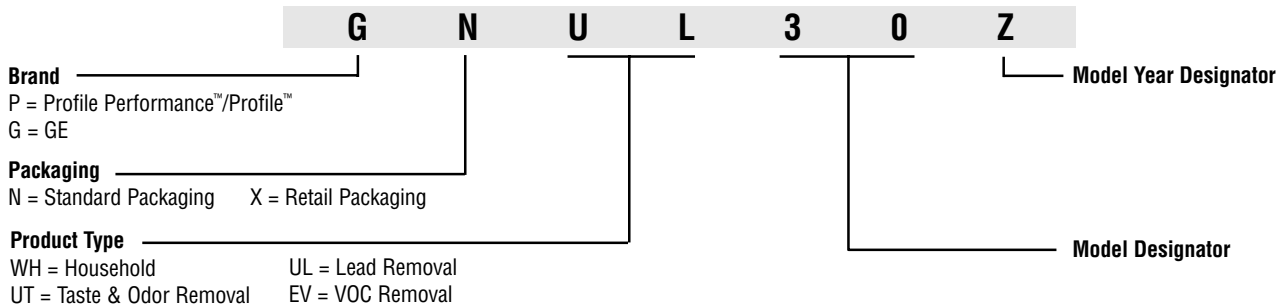
Reading Dryer Nomenclature



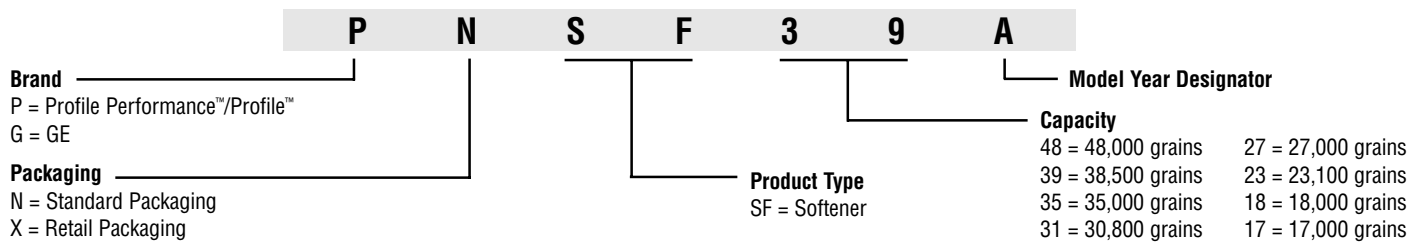
Reading Reverse Osmosis System Nomenclature



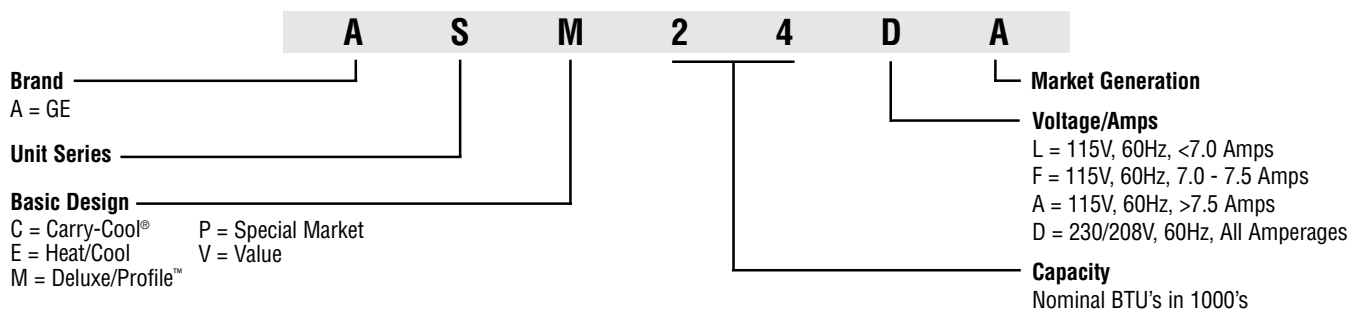
Reading Water Filtration System Nomenclature



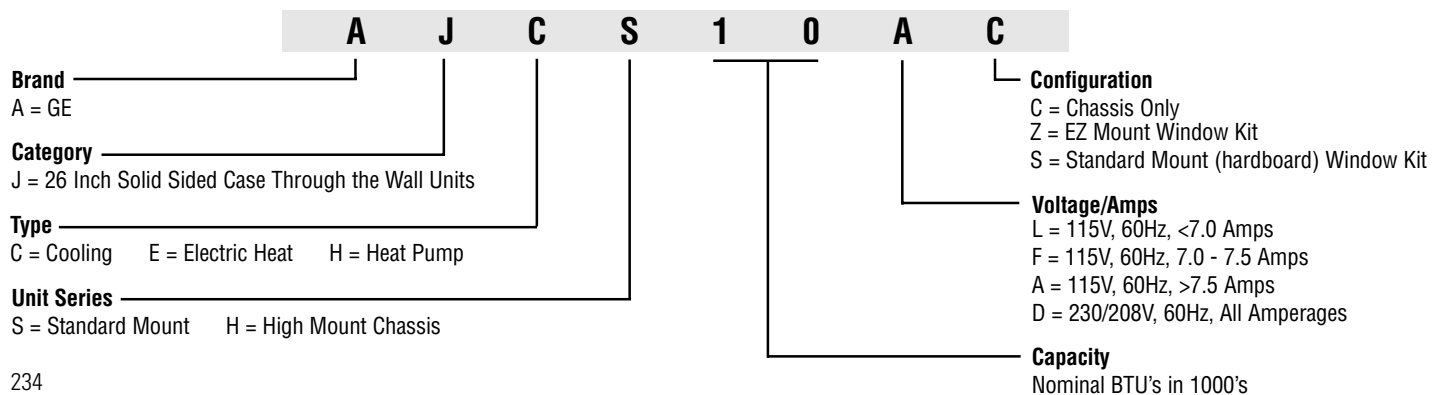
Reading Water Softening System Nomenclature



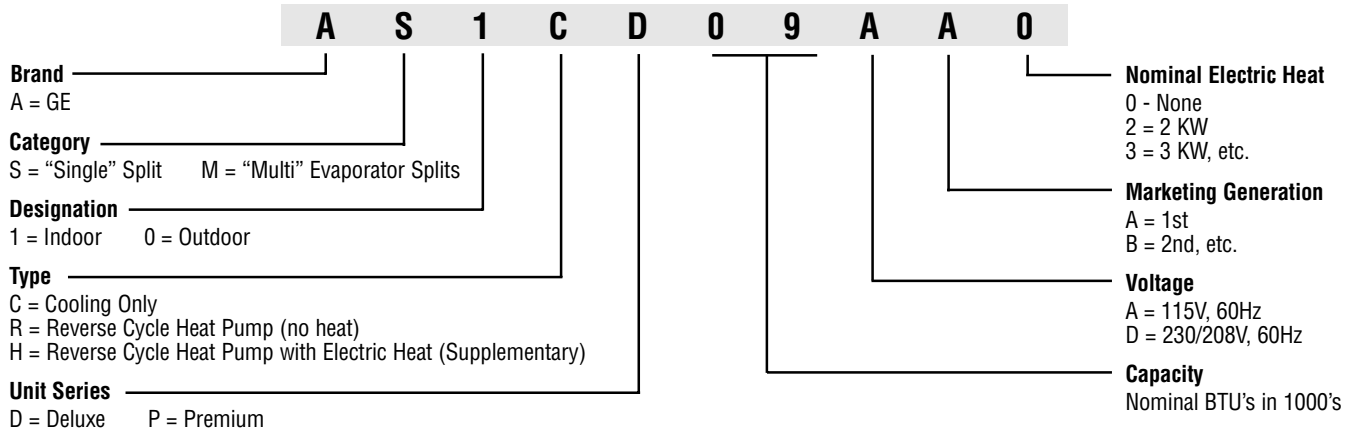
Reading Window Air Conditioners Nomenclature



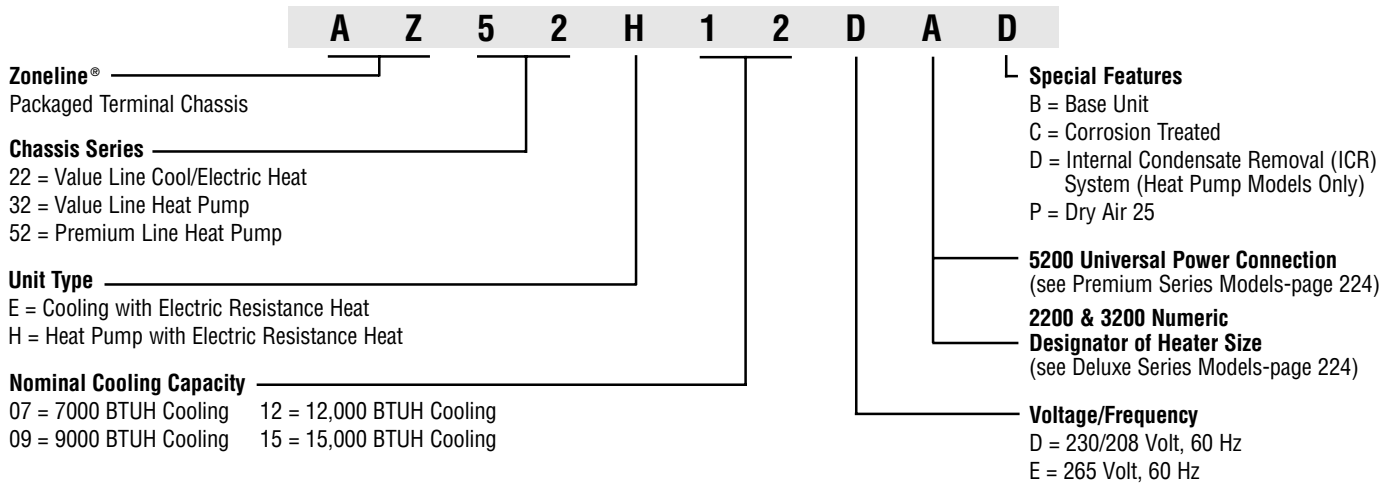
Reading Built-In Air Conditioners Nomenclature



Reading Split Systems Air Conditioners Nomenclature



Reading Zoneline Chassis Nomenclature



For information on how to reach these other GE businesses, visit the GE Internet Web site at www.ge.com

GE Industrial Systems Electrical distribution, control and circuit protection products, including transformers and switchgear, used in the contractor, industrial and OEM markets.	1-800-431-7867
GE Lighting Lighting products for home, industrial and commercial applications.	1-800-435-2677
GE Plastics, Resin and Sheet Roofing shingles, window frames, Lexan® sheet for windows and Nuvel kitchen countertops.	Resin – 1-800-845-0600 Sheet – 1-800-451-3147
GE Silicones Silicone adhesives, conformal coatings, anti-foams, and other applications in the construction markets.	1-800-255-8886
GE Exchange (GE Capital Commercial Direct) Business Information center for upgrading long-distance telephone service and guaranteed savings.	1-800-775-4322
GE Capital Mortgage Services Capital and mortgage products for lenders and borrowers.	1-800-648-0262
GE Capital Real Estate Financial Services for commercial property builders, developers, investors and syndications.	1-800-243-2222
GE Capital Modular Space Mobile and modular buildings for use at construction sites and for temporary office buildings.	1-800-523-7918
GE Capital Fleet Services Rental of commercial trucks and tractor/trailers.	1-800-243-2222
GE Commercial Service Program (GE Appliances) Service from factory-trained technicians for property managers.	1-800-626-8690
Genuine GE Parts (GE Appliances) GE Parts and Accessories.	1-800-851-6200



GE. Helping build better lives.



- An innovative company committed to customer satisfaction.
- The preferred appliance brand in the U.S.*
- A tradition of innovation for high-quality products and most-wanted features.
- Twenty-four-hour accessibility through people-friendly communication technology:
–Internet: www.geappliances.com
–Phone: GE Answer Center® 800.626.2000
- GE Appliance Service, the largest manufacturer-owned service organization in the appliance industry.

**Louis Harris Poll, 1999.*

For more information on GE appliances, call the **GE ANSWER CENTER® 800.626.2000** toll-free, 24 hours a day, seven days a week.



GE Appliances

General Electric Company
Louisville, Kentucky 40225
www.geappliances.com

Pub. No. 24-C060 PC21438
3/00



GE is a proud sponsor of the NAHB Home Builders Care Program

GE has a policy of continuous improvement of its products and reserves the right to change materials and specifications without notice.

