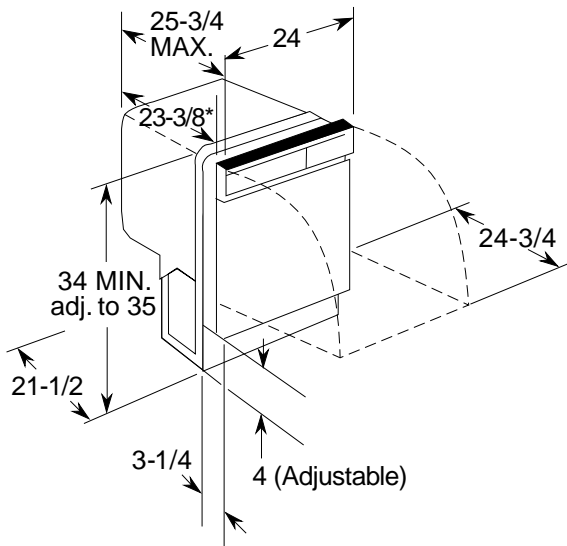




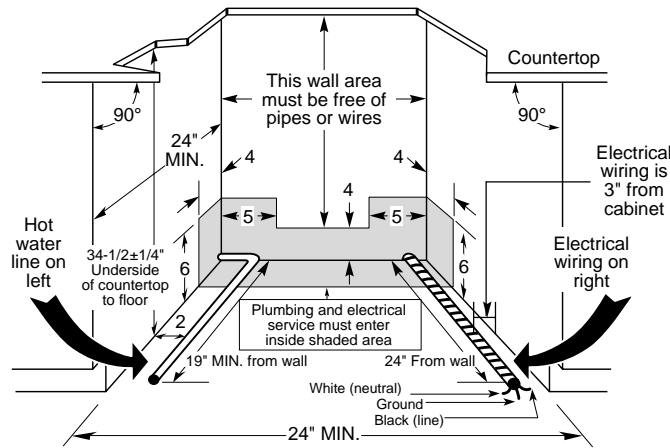
GE Appliances

GSD3800GWW/CC/BB - GE Built-In Dishwasher

Dimensions (in inches)



Installation Information (in inches)



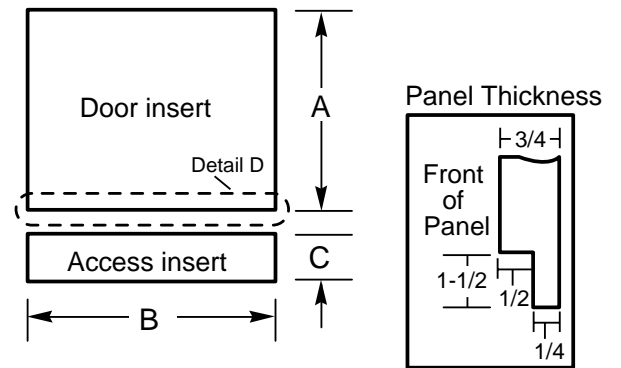
Note: Dishwasher must not be installed more than 10 feet from sink for proper drainage. All plumbing and electrical work must be in accordance with local codes.

Note: If a flush look is needed, a 25" base cabinet needs to be used.

Electrical Rating

Voltage AC.....120
 Hertz60
 Total connected load amperage.....6.2
 Calrod® heater watts.....500
 For use on adequately wired 120-volt, 15-amp circuit having 2-wire service with a separate ground wire. This appliance must be grounded for safe operation.

Wood Insert Cut-Out Dimensions (in inches)



Models/Kits	A	B	C	Panel Thickness
GE Models GPF425 Kit	19-3/4"	23-9/16"	3-11/16"	1/4"
GPF475 Kit	19-7/8"	23-5/8"*	3-11/16"***	3/4"

*Bottom of panel must be notched 1-1/2" x 1/2" to clear across panel (See illustration above).

**Adjustment required to match adjacent cabinets fronts due to leveling leg adjustment, 4" nominal.

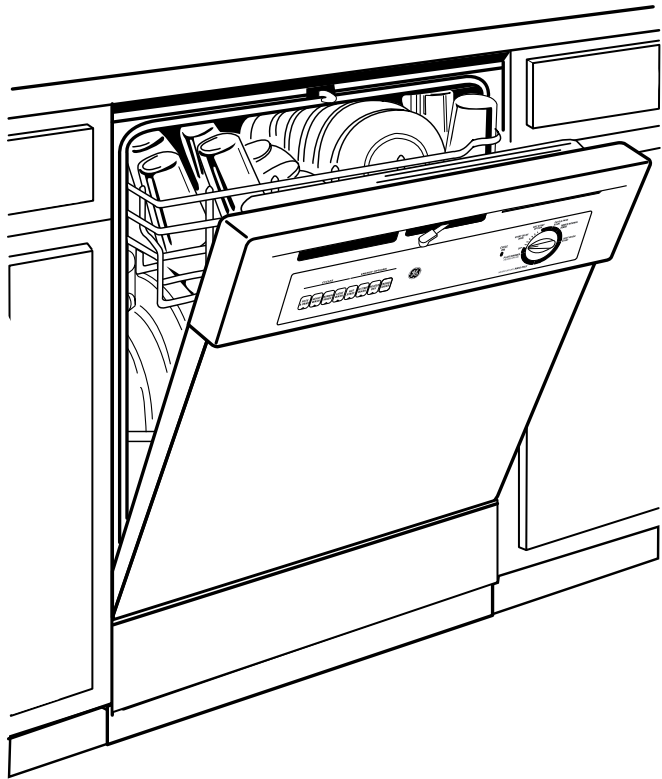
For answers to your Monogram®, GE Profile™ or GE appliance questions, visit our website at GEAppliances.com or call GE Answer Center® service, 800.626.2000.





GE Appliances

GSD3800GWW/CC/BB - GE Built-In Dishwasher



Features and Benefits

- Energy Star® Qualified
- SureClean™ Wash System with Three Wash Levels
- Dual Filtration System
- Food Disposer
- Dial and TouchTap™ Controls
- 6 Cycle Selections: Normal Wash, Light Wash, Pots & Pans, Heavy Wash, Plate Warmer (Dial) and Rinse Only (Dial)
- 35 Options including Hi-Temp Wash, Heated Dry and 1-6-Hour Delay Start and HotStart™
- Deluxe Plus Upper Rack
- Deluxe Lower Rack
- Two Cup Shelves
- Deluxe Silverware Basket
- QuietPower™ I Sound Insulation Package
- Cycle "On" Progress Indicator
- Rinse Aid Dispenser with Indicator
- Model GSD3800GWW - White on white
- Model GSD3800GCC - Bisque on bisque
- Model GSD3800GBB - Black on black