

# GSD4000/4060R

## GE® Built-In Dishwasher

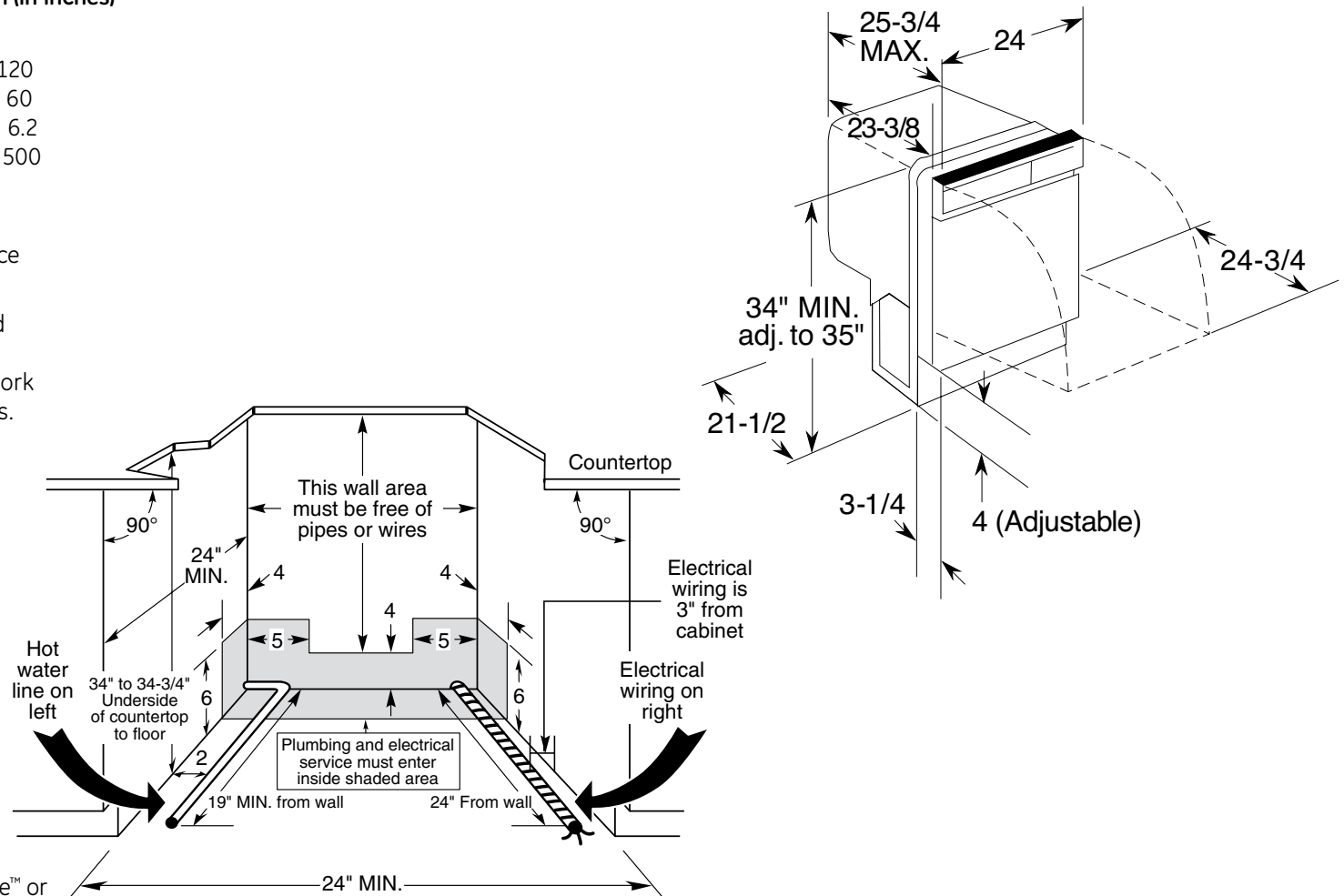
### Dimensions and Installation Information (in inches)

#### Electrical Rating

Voltage AC.....	120
Hertz.....	60
Total connected load amperage.....	6.2
Calrod® heater watts max.....	500

For use on adequately wired 120-volt, 15-amp circuit having 2-wire service with a separate ground wire. This appliance must be grounded for safe operation.

**Note:** Dishwasher must not be installed more than 10 feet from sink for proper drainage. All plumbing and electrical work must be in accordance with local codes.



For answers to your Monogram®, GE Profile™ or GE® appliance questions, visit our website at [geappliances.com](http://geappliances.com) or call GE Answer Center® service, 800.626.2000.



# GSD4000/4060V

## GE® Built-In Dishwasher

### Features and Benefits

- 5-level PowerScrub™ wash system with upper spray arm - powerful wash cleans dishes thoroughly with 2 precision wash arms
- Two-stage filtration with ExtraFine™ filter - Extra filtration keeps water clean
- Piranha™ hard food disposer - Grinds food into small particles that are washed away
- HotStart™ option - Provides optimal water temperature for dependable performance
- 61 dBA - motor runs quietly to keep kitchen peaceful
- Insulation blanket - Adds improved sound performance
- Electronic controls - controls are easy to read and easy to use
- Pots and Pans cycle - Removes difficult soils from cookware
- China/ Crystal cycle - Cleans and protects delicate dishware
- Up to 12-place setting capacity racking - Provides flexibility to wash a variety of dishes at once
- 2/4/8-hour Delay Start - Wash dishes at your convenience
- Model GSD4000VWW - White on white
- Model GSD4000VCC - Bisque on bisque
- Model GSD4000VBB - Black on black
- Model GSD4060VSS - Stainless steel

