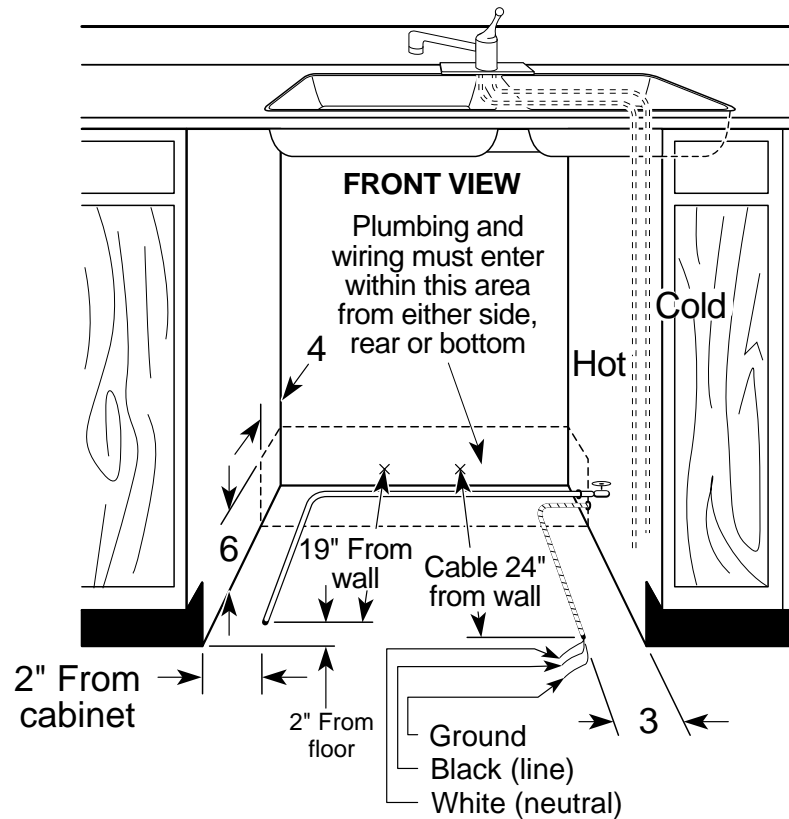




GE Appliances

GSM2100GWW/CC—GE Spacemaker® Under-the-Sink Dishwasher

Plumbing/Electrical Rough-In Dimensions (in inches)



Note: Undersink dishwashers can be installed only under sinks and not under other appliances.

Plumbing—Hot Water Only: Use 3/8" O.D. copper tubing or 1/2" O.D. plastic tubing minimum inlet line. Water valve has 3/8" internal threads. Hand cut-off valve is recommended.

Electrical: Fuse circuit with 15 amp or 20 amp standard fuse or circuit breaker. Total amp load is 8.6. Dishwasher operates on 120V, 60HZ power. Two-wire cable (14 Ga. Min.) with ground must be installed.

Specifications: Inlet water temperature recommended—minimum 120°F at dishwasher. Inlet water pressure required—15 to 120 lbs./sq. inch.

Note: All rough-in, both plumbing and electrical, must be completed before the dishwasher is installed. All plumbing and electrical work must be in accordance with local codes.

For answers to your Monogram®, GE Profile™ or GE appliance questions, visit our website at GEAppliances.com or call GE Answer Center® service, 800.626.2000.



Listed by
Underwriters
Laboratories



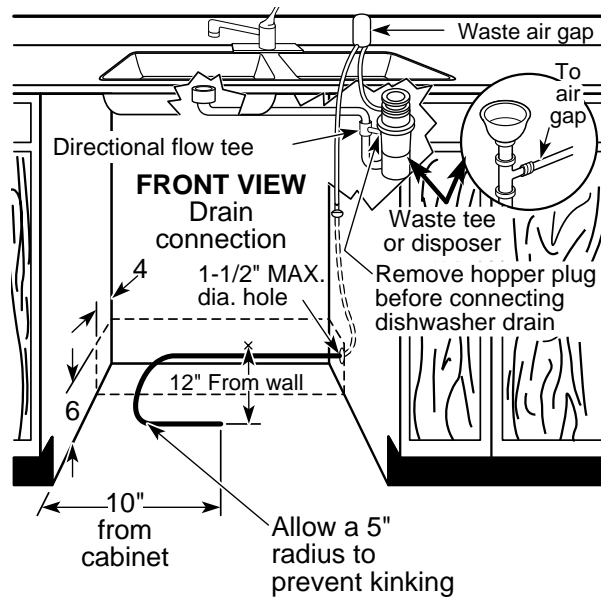
As an ENERGY STAR® Partner,
GE has determined that this product
meets the ENERGY STAR
guidelines for energy efficiency.



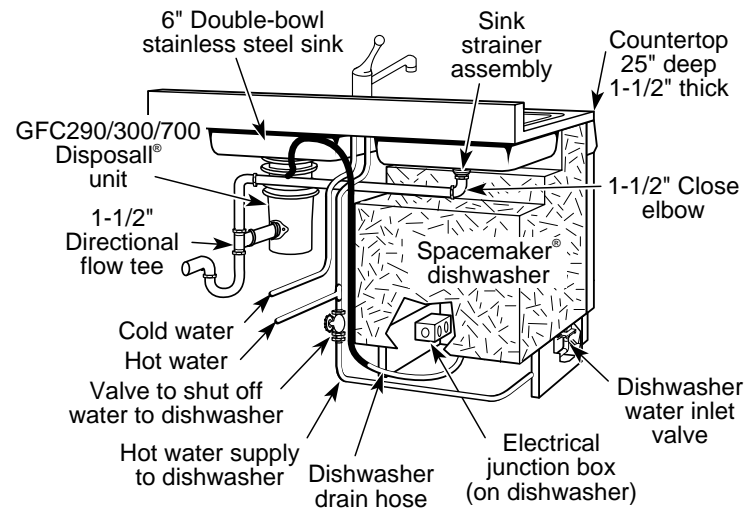
GE Appliances

GSM2100GWW/CC—GE Spacemaker® Under-the-Sink Dishwasher

Rough-In for Installation with Disposer Dimensions (in inches)



Rear View Plumbing Arrangement Dimensions (in inches)

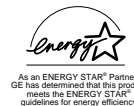


Note: A close-fitting elbow or special shallow sink strainer is necessary to provide clearance between sink drain and dishwasher. Dishwasher furnished with 1/2" I.D. drain hose, 78" long. If using copper tubing, 2" length of 1/2" I.D. rubber hose must be provided to connect copper tubing to pump outlet. Disposer should have 7/8" I.D. dishwasher drain connector.

For answers to your Monogram®, GE Profile™ or GE appliance questions, visit our website at GEAppliances.com or call GE Answer Center® service, 800.626.2000.



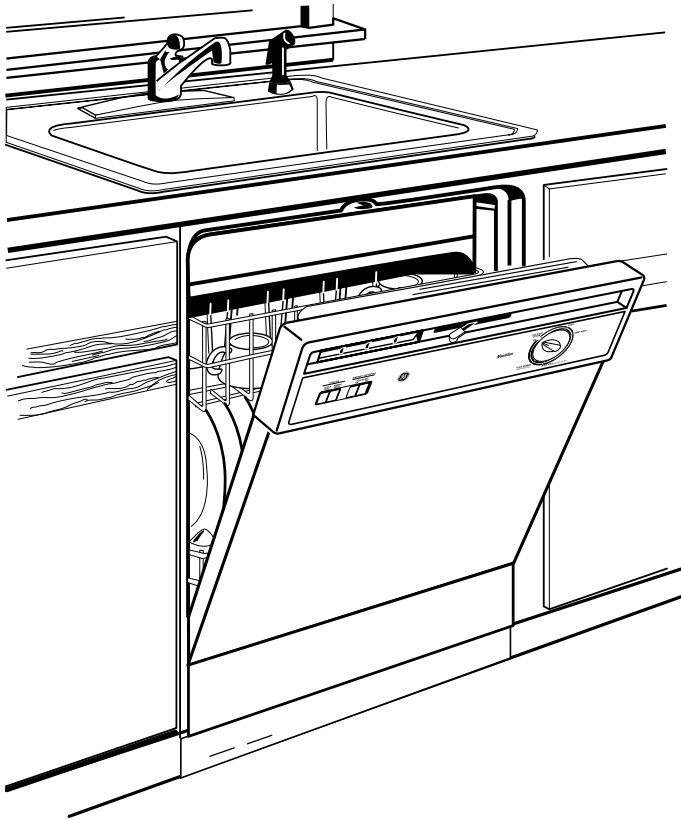
Listed by
Underwriters
Laboratories





GE Appliances

GSM2100GWW/CC—GE Spacemaker® Under-the-Sink Dishwasher



Features and Benefits

- Energy Star® Qualified
- Two Wash Levels
- Five Cycle Selections: Pots & Pans, Normal Wash, Short Wash (Dial), Plate Warmer (Dial) and Rinse Only (Dial)
- 12 Options including Heated Dry and HotStart™
- Spacemaker Upper Rack
- Deluxe Lower Rack
- Deluxe Silverware Basket
- Turn-to-Start Controls
- Rinse Aid Dispenser
- PermaTuf™ Tub and Door Liner
- QuietPower™ Motor
- Model GSM2100GWW - White on white
- Model GSM2100GCC - Bisque on bisque