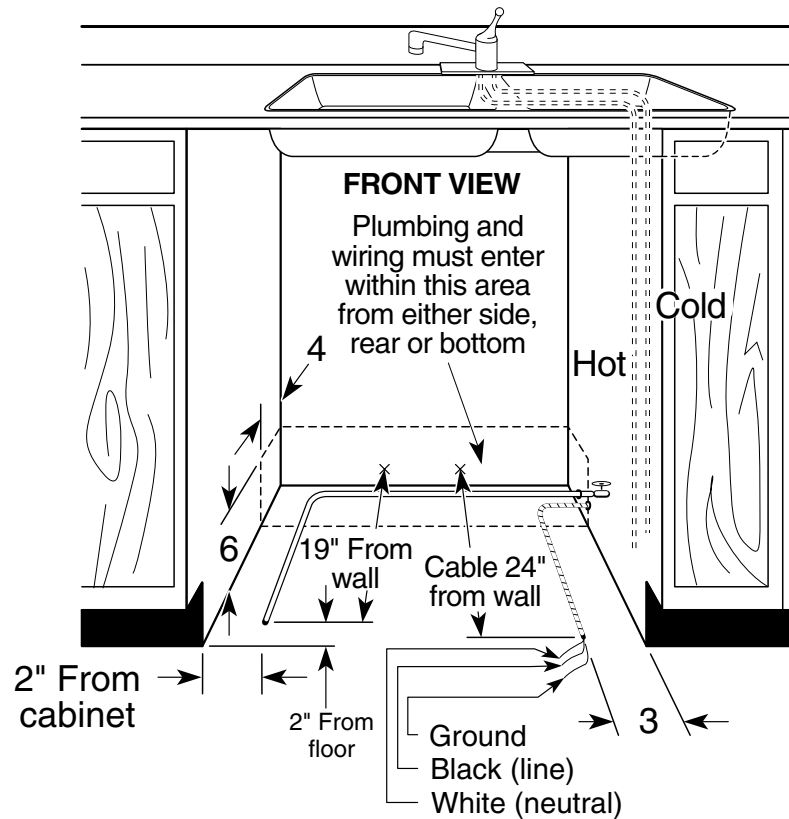




GE Appliances

## GSM2130/10F—GE Spacemaker® Undersink Dishwasher

Plumbing/Electrical Rough-In Dimensions (in inches)



**Note:** Undersink dishwashers can be installed only under sinks and not under other appliances.

**Plumbing—Hot Water Only:** Use 3/8" O.D. copper tubing or 1/2" O.D. plastic tubing minimum inlet line. Water valve has 3/8" internal threads. Hand cut-off valve is recommended.

**Electrical:** Fuse circuit with 15 amp or 20 amp standard fuse or circuit breaker. Total amp load is 8.6. Dishwasher operates on 120V, 60HZ power. Two-wire cable (14 Ga. Min.) with ground must be installed.

**Specifications:** Inlet water temperature recommended—minimum 120°F at dishwasher. Inlet water pressure required—15 to 120 lbs./sq. inch.

**Note:** All rough-in, both plumbing and electrical, must be completed before the dishwasher is installed. All plumbing and electrical work must be in accordance with local codes.

For answers to your Monogram®,  
GE Profile Performance Series™,  
GE Profile™ or GE appliance questions, call  
GE Answer Center® service, 800.626.2000.

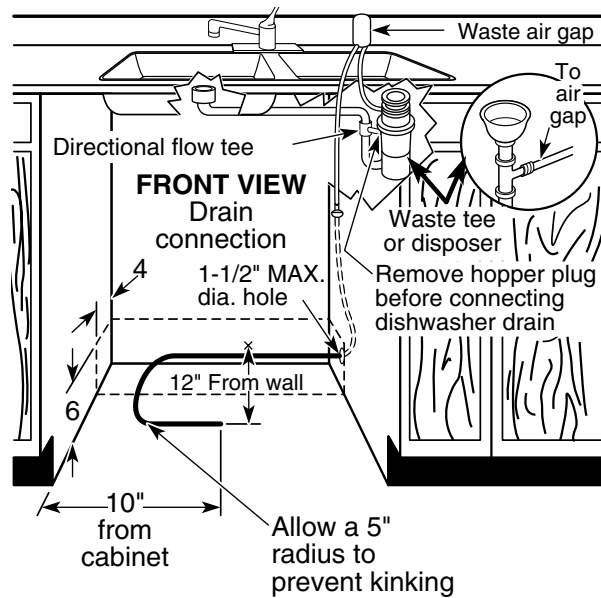




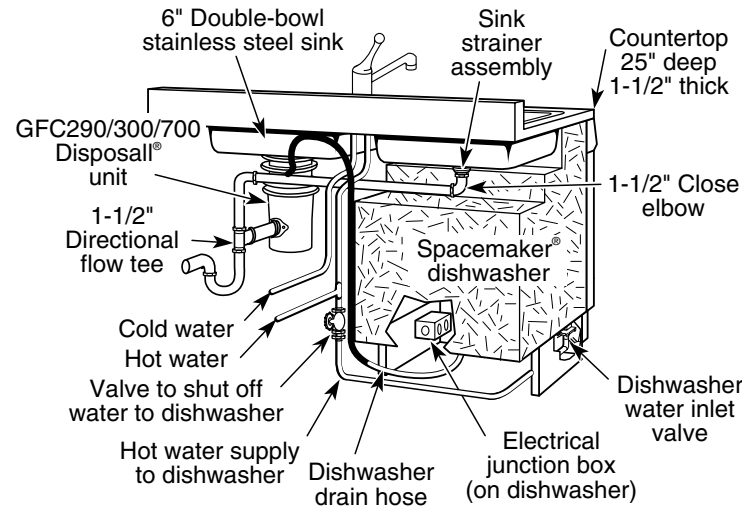
GE Appliances

## GSM2130/10F—GE Spacemaker® Undersink Dishwasher

### Rough-In for Installation with Disposer Dimensions (in inches)



### Rear View Plumbing Arrangement Dimensions (in inches)



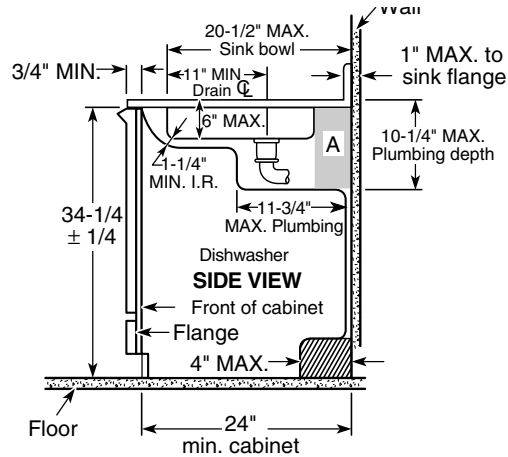
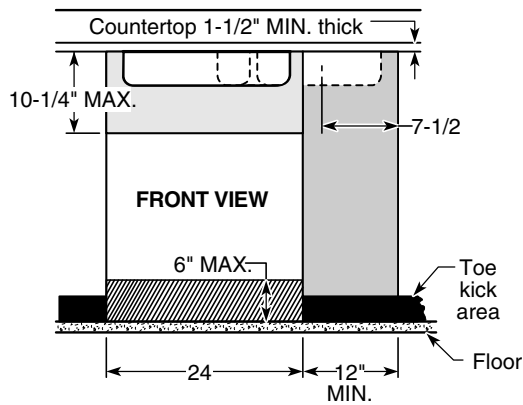
**Note:** A close-fitting elbow or special shallow sink strainer is necessary to provide clearance between sink drain and dishwasher. Dishwasher furnished with 1/2" I.D. drain hose, 78" long. If using copper tubing, 2" length of 1/2" I.D. rubber hose must be provided to connect copper tubing to pump outlet. Disposer should have 7/8" I.D. dishwasher drain connector.



GE Appliances

## GSM2130/10F—GE Spacemaker® Undersink Dishwasher

### Cabinet Rough-In Dimensions (in inches)



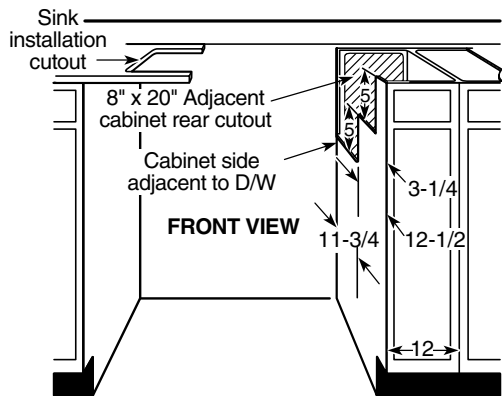
**Cabinet Rough-In Note:** Either single- or double-bowl sink may be used, centered or offset, as shown in the front view illustration.

The 20-1/2" maximum dimension from wall to front of sink bowl must be accurate if dishwasher is to fit properly under sink. Water lines to sink faucet and drain from sink can be run through area "A."

HOT WATER line to dishwasher is installed in area "B."

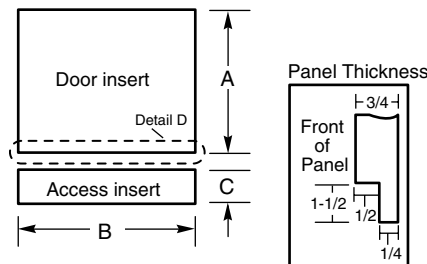
Garbage disposer, water lines to faucet, trap, waste air gap and water cutoff valve are installed in 12" wide cabinet shown in area "C." Sink opening for garbage disposer must be dimensioned as shown in front view, area "C" (7-1/2"). This will provide clearance for the disposer and plumbing in cabinet "C" when using double bowl sink.

### Cabinet Cut-Out for Sink Dimensions (in inches)



Cabinet cutouts for offset single and double bowl sinks. Dishwasher not provided with complete enclosure. Enclosures for sides, top, bottom and back must be provided by installer at time of installation.

### Undersink Dishwasher Wood Insert Dimensions (in inches)



When using GPF325 1/4" custom dishwasher door and access panel kit.  
When using GPF375 3/4" custom dishwasher door and access panel kit.

If the sink bowl is more than 20-1/2" maximum specified distance from the wall, or if the base cabinet is less than the 24" minimum depth from the wall, a gap between the tub front flange and the front of the base cabinet may result.

Specification Created 8/00

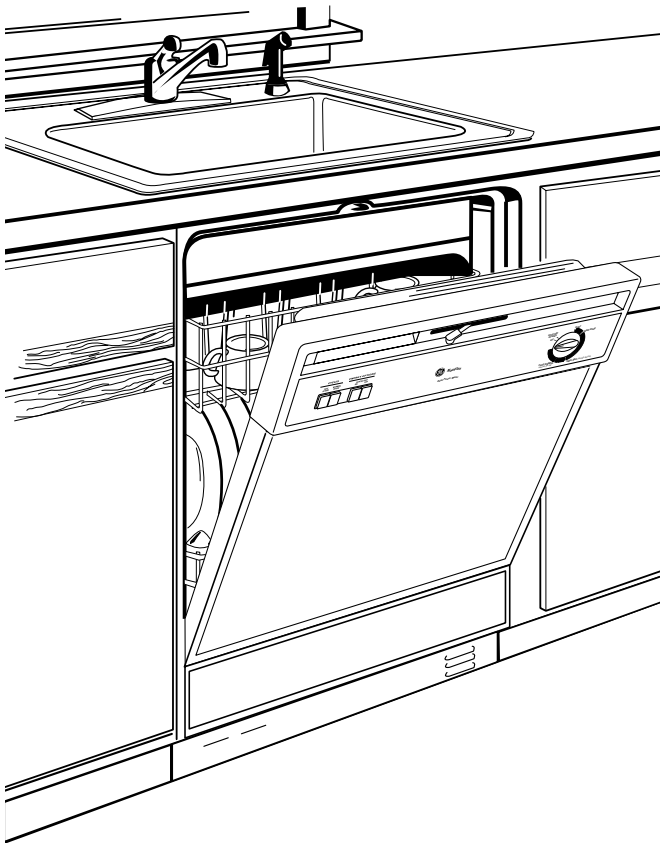
For answers to your Monogram® GE Profile Performance Series™ GE Profile™ or GE appliance questions, call GE Answer Center® service, 800.626.2000.





**GE Appliances**

## **GSM2130/10F—GE Spacemaker® Undersink Dishwasher**



### **Features and Benefits**

- 2 Wash Levels
- 5 Cycle Selections: Pots & Pans, Normal Wash, Short Wash, Plate Warmer and Rinse Only/Hold
- 12 Options including Heated Dry On/Off Options
- HotStart™
- SpaceMaker™ Upper Rack
- Deluxe Lower Rack
- Deluxe Silverware Basket
- Rinse Aid Dispenser
- PermaTuf™ Tub and Door Liner
- QuietPower™ Motor
- Model GSM2130FWW - White on white
- Model GSM2110FAA - Almond on almond