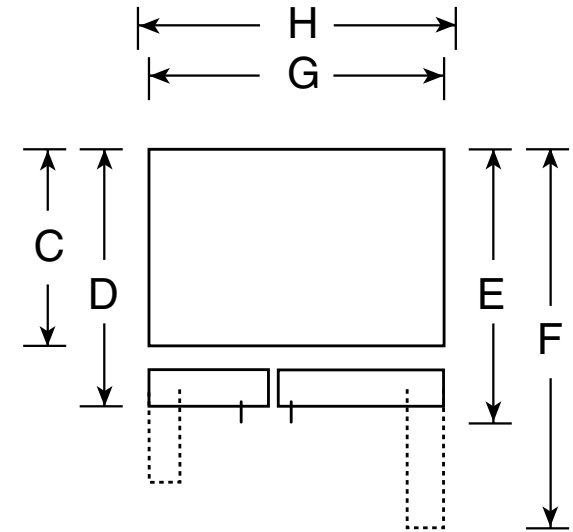
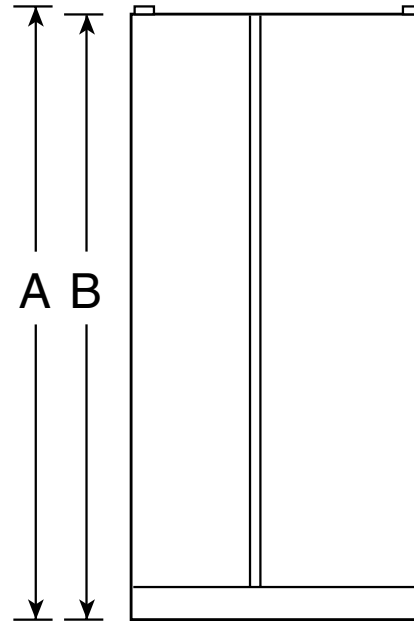


# GSS20IET

## GE® 20.0 Cu. Ft. Side-By-Side Refrigerator with Dispenser

### Dimensions and Installation Information (in inches)

Overall Dimensions	Height to top of hinge (in.) <b>A</b>	67-1/2
	Height to top of case (in.) <b>B</b>	66-1/2
	Case depth without door (in.) <b>C†</b>	28
	Case depth less door handle (in.) <b>D†</b>	31-1/4
	Case depth with door handle (in.) <b>E†</b>	33-5/8
	Depth with fresh food door open 90° (in.) <b>F†</b>	47-3/8
	Width (in.) <b>G</b>	31-1/2
	Width with door open 90° inc. door handle (in.) <b>H</b>	34
Air Clearances	Each side (in.)	1/8
	Top (in.)	1
	Back (in.)	1



Top View

†Water hook-up fits in back air clearance when calculating installation depth.

If installed against a wall, allow clearance of 14-3/16" on freezer side to remove bin.

Clearance required to remove fresh food full-size pan without disassembling is 18-15/16".

Allow additional space for any necessary leveling adjustments.

For answers to your Monogram,® GE Profile™ or GE® appliance questions, visit our website at [ge.com](http://ge.com) or call GE Answer Center® service, 800.626.2000.



imagination at work



Listed by  
Underwriters  
Laboratories

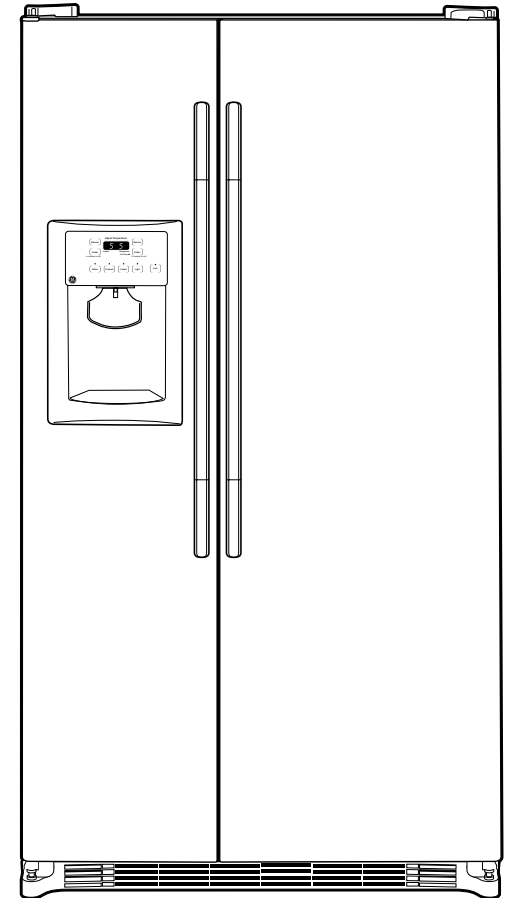


# GSS20IET

## GE® 20.0 Cu. Ft. Side-By-Side Refrigerator with Dispenser

### Features and Benefits

- ClimateGuard System - Monitors temperatures and adjusts cooling to help maintain freshness
- External temperature controls with child lock - Controls are easy to set while a child lock helps provide additional peace of mind
- Sealed crisper drawers - Keep fruits and vegetables tasting fresh and delicious
- Gallon door bins - Deep bins handle large containers in the door for more fresh food space
- Wire shelves - Sturdy shelves provide support for frozen foods and slide-out with ease
- FrostGuard™ technology - Controlled defrosting keeps frozen foods from feeling the burn
- AutoEnergy saver - Senses door openings and adjusts refrigeration operation cycles accordingly
- NeverClean™ condenser - Sealed compartment keeps coils clean and simplifies maintenance
- Deluxe quiet design - Significantly reduces unnecessary operating noise in the kitchen
- Model GSS20IETWW - White on white
- Model GSS20IETBB - Black on black



imagination at work