

GTH17BBZ

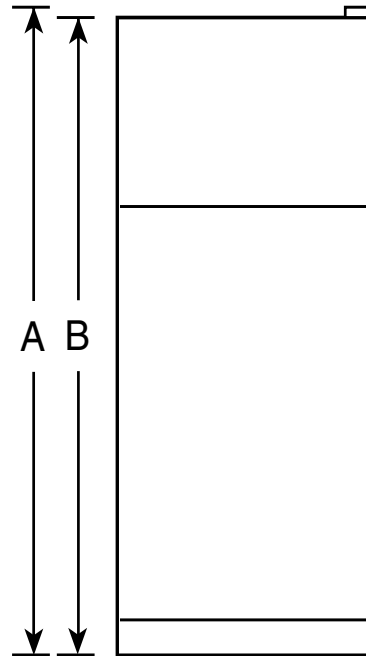
GE® ENERGY STAR® 16.6 Cu. Ft. Top-Freezer Refrigerator

Dimensions and Installation Information

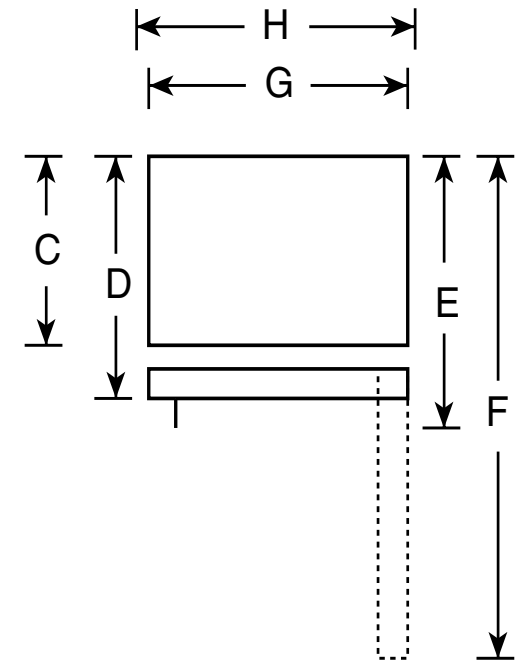
Overall Dimensions	Height to top of hinge (in.) A	64-3/4
	Height to top of case (in.) B	64-1/4*
	Case depth without door (in.) C	25-7/8
	Case depth less door handle (in.) D	29-1/8
	Case depth with door handle (in.) E	31
	Depth with fresh food door open 90° (in.) F	54-7/8
	Width (in.) G	28
	Width with door open 90° less door handle (in.) H	30-1/2
Air Clearances	Each side (in.)	3/4
	Top (in.)	1
	Back (in.)	1

*Height to mid-freezer (in.): 54-3/8

Front View



Top View



For answers to your Monogram®, GE Profile™ or GE® appliance questions, visit our website at ge.com or call GE Answer Center® service, 800.626.2000.

Dimension and installation information are shown in inches.



Specification Revised 2/11

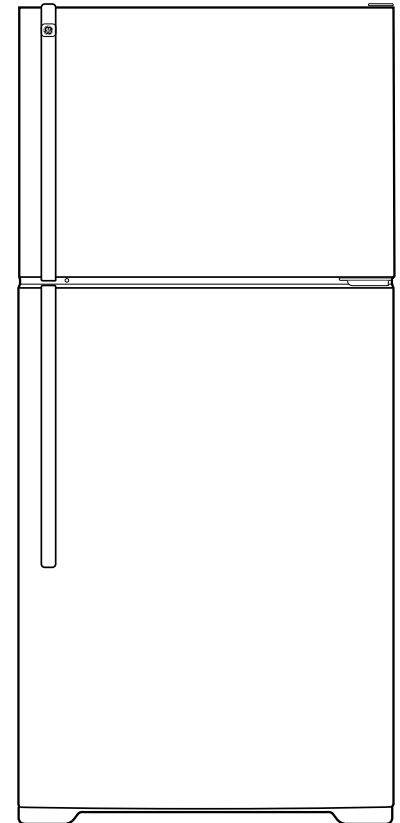
310349

GTH17BBZ

GE® ENERGY STAR® 16.6 Cu. Ft. Top-Freezer Refrigerator

Features and Benefits

- Upfront temperature controls - Easy-to-use controls are located in an easy-to-reach position
- Gallon door storage - Milk and larger items are easily accommodated in the door
- Crisper drawers - Provides the ideal environment for storing your fruits and vegetables
- Adjustable wire shelves - Flexible shelving options can be arranged to handle a variety of foods
- NeverClean™ condenser - Encased coils take the dirty work out of maintaining your refrigerator
- Deluxe quiet design - Designed to reduce unnecessary sounds in the kitchen
- Model GTH17BBZWW - White on white
- Model GTH17BBZCC - Bisque on bisque
- Model GTH17BBZBB - Black on black



imagination at work



As an ENERGY STAR® partner, GE has determined that this product meets the ENERGY STAR guidelines for energy efficiency.

Specification Revised 2/11

310349