

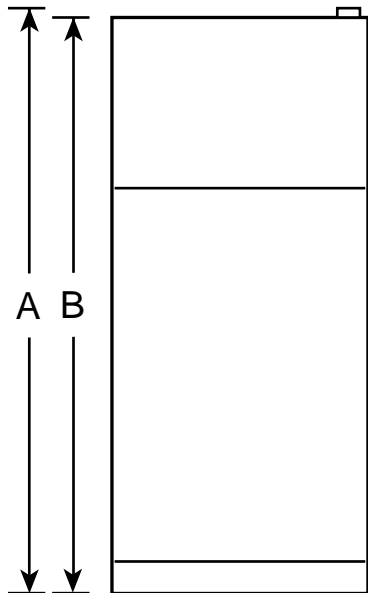


GE Appliances

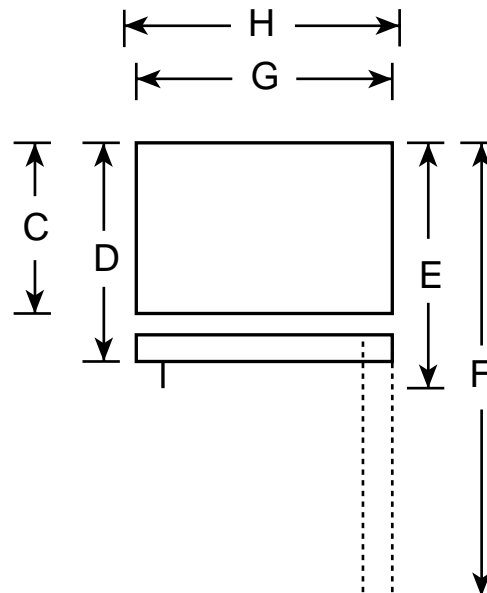
GTS16JBR – GE® 15.8 Cu. Ft. Top-Freezer Refrigerator

Dimensions (in inches)

Front View



Top View



Overall Dimensions	Height to top of hinge (in.) A	64-3/4
	Height to top of case (in.) B	64-1/4
	Height to mid-freezer (in.)	54-3/8
	Case depth without door (in.) C	25-7/8
	Case depth less door handle (in.) D	29-1/8
	Case depth with door handle (in.) E	31
	Depth with fresh food door open 90° (in.) F	54-7/8
	Width (in.) G	28
	Width with door open 90° with door handle (in.) H	30-1/2
Air Clearances	Each side (in.)	3/4
	Top (in.)	1
	Back (in.)	1

Note: All Top-Freezer No-Frost Right-Hand Refrigerator Doors: As you face the front of the refrigerator, the handle is on your left and the hinges are on your right.
All Top-Freezer No-Frost Left-Hand Refrigerator Doors: As you face the front of the refrigerator, the handle is on your right and the hinges are on your left.



Total volume and shelf area are calculated by the Association of Home Appliance Manufacturers' standards.



Listed by Underwriters Laboratories

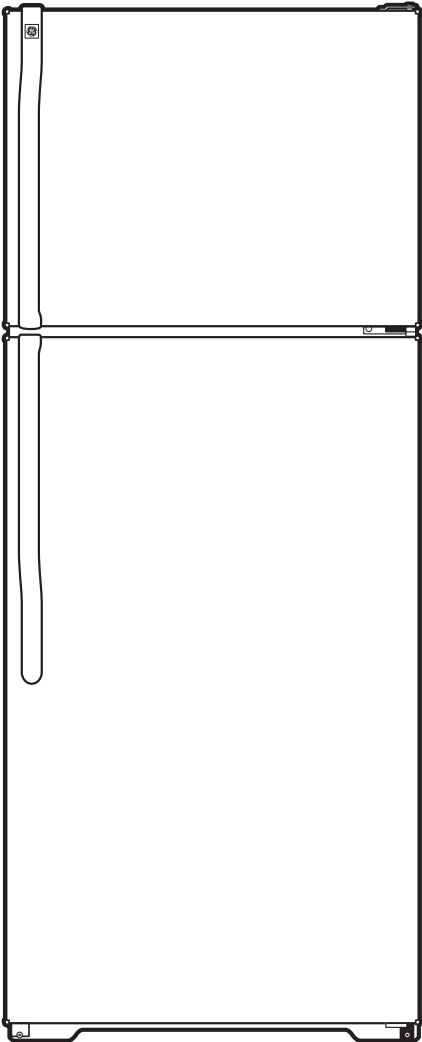


For answers to your Monogram®, GE Profile™ or GE® appliance questions, visit our website at GEAppliances.com or call GE Answer Center® service, 800.626.2000.



GE Appliances

GTS16JBR – GE® 15.8 Cu. Ft. Top-Freezer Refrigerator



Features and Benefits

- Spillproof Glass Shelves – Helps to contain spills and keep them from dripping
- Upfront Temperature Controls – Are positioned up front, close at hand, for maximum convenience and ease of use
- Adjustable Humidity Vegetable/Fruit Crispers – Provide the ideal storage environment for fruits and vegetables
- Gallon Door Storage – Makes room for milk and any other gallon size containers
- NeverClean™ Condenser – Condenser coils are encased, so they don't require cleaning in normal operating environments
- Deluxe Quiet Design – Significantly reduces operating noise
- Model GTS16JBRWW – White on white
- Model GTS16JBRCC – Bisque on bisque
- Model GTS16JBRBB – Black on black