

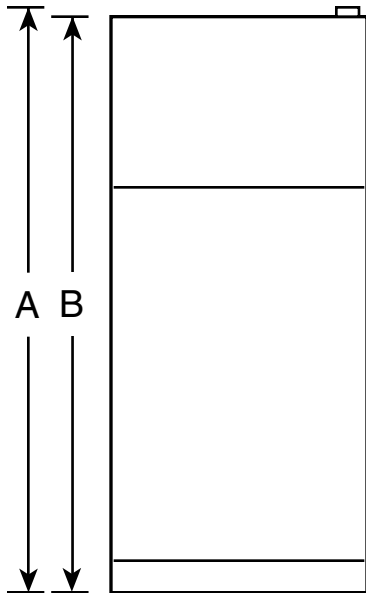


GE Appliances

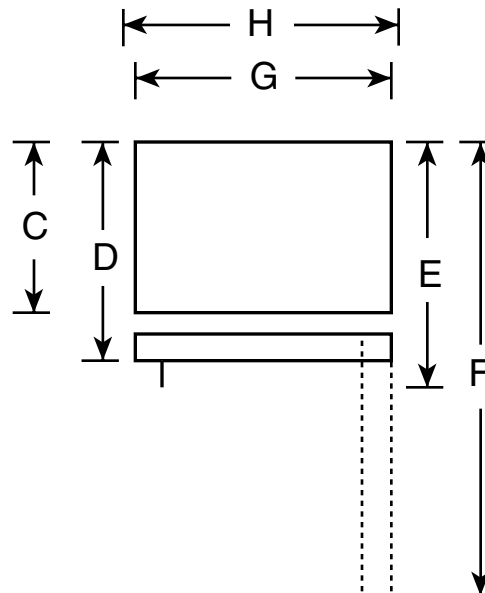
GTS18GBR – GE® 17.9 Cu. Ft. Top-Freezer Refrigerator

Dimensions (in inches)

Front View



Top View



Overall Dimensions	Height to top of hinge (in.) A	67-3/8
	Height to top of case (in.) B	66-7/8
	Height to mid-freezer (in.)	57
	Case depth without door (in.) C	26-3/4
	Case depth less door handle (in.) D	30-1/2
	Case depth with door handle (in.) E	32-3/8
	Depth with fresh food door open 90° (in.) F	56-3/8
	Width (in.) G	28
Air Clearances	Width with door open 90° with door handle (in.) H	30-3/4
	Each side (in.)	3/4
	Top (in.)	1
	Back (in.)	1

Specification Created 2/04

310380



Total volume and shelf area are calculated by the Association of Home Appliance Manufacturers' standards.



Listed by Underwriters Laboratories

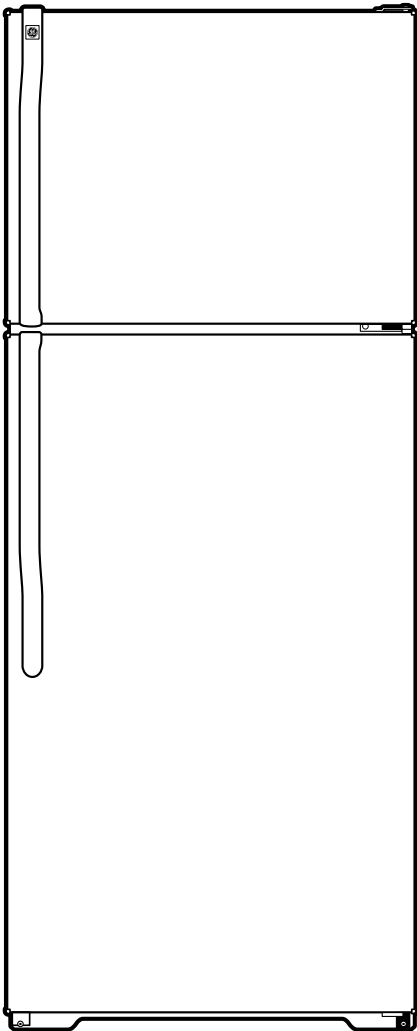


For answers to your Monogram®, GE Profile™ or GE® appliance questions, visit our website at GEAppliances.com or call GE Answer Center® service, 800.626.2000.



GE Appliances

GTS18GBR – GE® 17.9 Cu. Ft. Top-Freezer Refrigerator



Features and Benefits

- Adjustable Glass Shelves – Lets consumers maximize usable storage space
- Upfront Temperature Controls – Are positioned up front, close at hand, for maximum convenience and ease of use
- Clear Vegetable/Fruit Crispers – Provide convenient storage for your fruits and vegetables
- Gallon Door Storage – Makes room for milk and any other gallon size containers
- NeverClean™ Condenser – Condenser coils are encased, so they don't require cleaning in normal operating environments
- Deluxe Quiet Design – Significantly reduces operating noise
- Square Doors – Classic design that's compatible with any kitchen décor
- Model GTS18GBRWW – White on white
- Model GTS18GBRCC – Bisque on bisque

Specification Created 2/04

310380