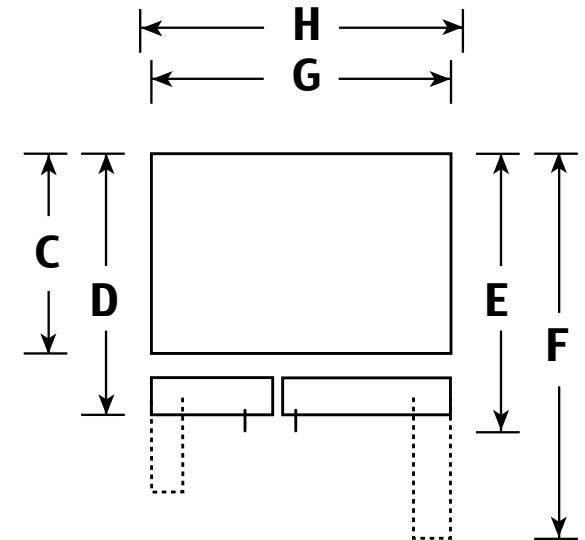
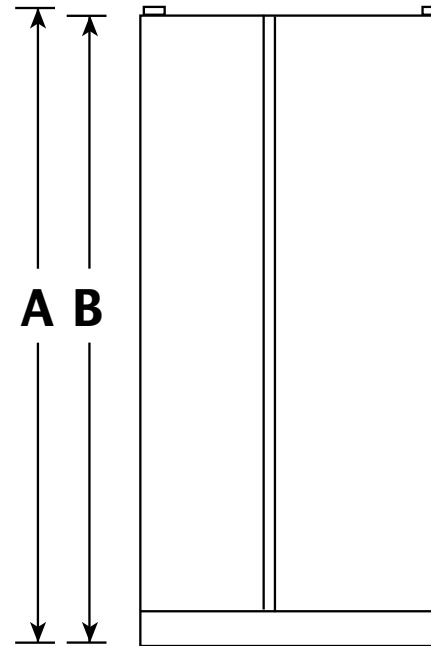


GZS23HGE

GE® 22.7 Cu. Ft. Counter-Depth Side-By-Side Refrigerator with Dispenser

Dimensions and Installation Information (in inches)

| | | |
|--------------------|--|---------------|
| Overall Dimensions | Height to top of hinge (in.) A | 69-1/4 |
| | Height to top of case (in.) B | 68-3/4 |
| | Case depth without door (in.) C | 23-7/8 |
| | Case depth less door handle (in.) D | 26-3/4 |
| | Case depth with door handle (in.) E | 29-1/4 |
| | Depth with fresh food door open 90° (in.) F | 45-5/8 |
| | Width (in.) G | 35-3/4 |
| Air | Width with door open 90° inc. door handle (in.) H | 41-1/4 |
| | Each side (in.) | 1/8 |
| | Top (in.) | 1 |
| | Back (in.) | 2 |



†Water hook-up fits in back air clearance when calculating installation depth.

If installed against a wall, allow clearance of 10-3/4" on freezer side to remove bin.

Clearance required to remove fresh food full-size pan without disassembling is 15".

Allow additional space for any necessary leveling adjustments.



imagination at work

For answers to your Monogram® or GE appliance questions, visit our website at geappliances.com or call GE Answer Center® service, 800.626.2000.



Listed by
Underwriters
Laboratories



Total volume and shelf area are calculated by the Association of Home Appliance Manufacturers' standards.

Specification Revised 3/15

GZS23HGE

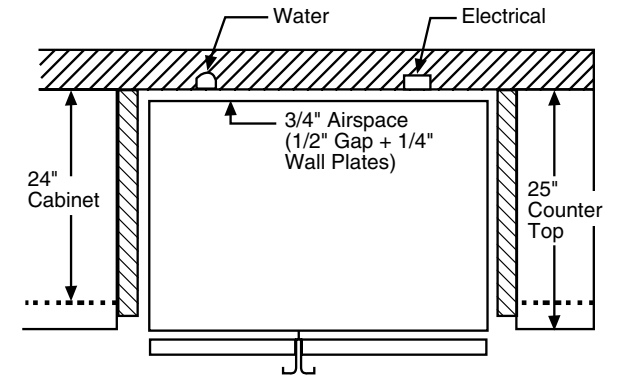
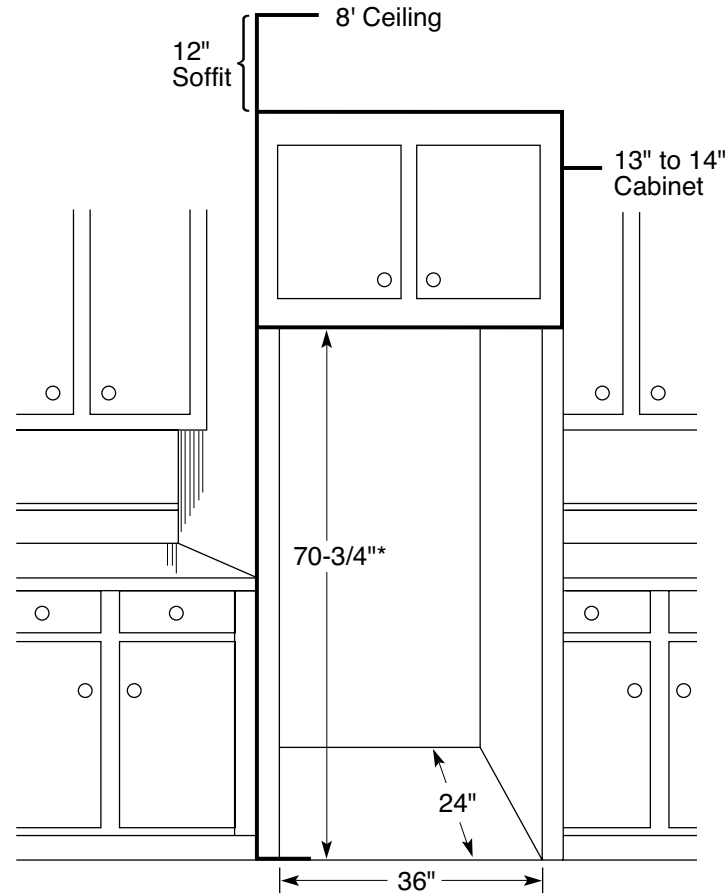
GE® 22.7 Cu. Ft. Counter-Depth Side-By-Side Refrigerator with Dispenser

Rough-In Dimensions

Standard, New Construction and Replacement Installation

Installation Tips to Maximize the Built-In Look

- All wall/floor molding should be removed prior to installation.
- Water recess on rear wall recommended to prevent water line damage. 48" minimum length, 1/4" diameter water line tubing recommended.
- When possible, recess both copper water line and electrical outlet. (See local codes)
- Front and rear leveling legs are adjustable for the built-in look. (See owner's manual)
- If optional collar trim kit is to be used or anticipated, see collar trim installation on next page for different rough-in dimensions.



*The rough-in dimension of 70-3/4" is minimum and is measured from the finished floor to top of opening (or the underside of the overhead cabinets). For Models with Trim Kit: If frameless style cabinets are planned for above the refrigerator, you may need to consider adding a maximum of 1/4" (71") to height of opening to allow additional clearance between cabinet doors and top of refrigerator trim when cabinet doors are in open position.



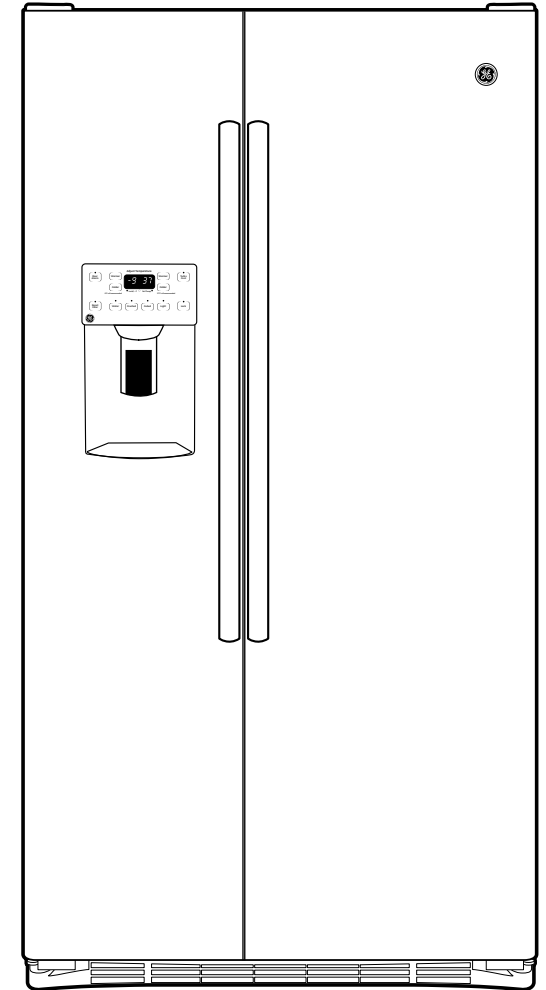
imagination at work

GZS23HGE

GE® 22.7 Cu. Ft. Counter-Depth Side-By-Side Refrigerator with Dispenser

Features and Benefits

- Counter-depth design - Offers a built-in look by fitting nearly flush with surrounding cabinetry
- 70" tall
- Integrated shelf support system - Provides strong, flexible support
- Adjustable slide-out, spillproof glass shelves - Raised edges help contain spills and make clean up quick and easy
- Adjustable Clear Look door bins - Offers ideal space for storing large containers in the door and frees up valuable space
- In-the-door beverage rack - Beverages are chilled and ready without taking up valuable space
- Quick Ice setting - Create ice up to 50% faster than normal settings
- Turbo Cool setting - Drops interior temperature to maintain freshness after frequent openings
- Advanced filtration - Removes trace pharmaceuticals from water and ice* and uses replacement filter MWF (*Removes ibuprofen, atenolol, fluoxetine, progesterone and trimethoprim. These pharmaceuticals are not necessarily in all users' water)
- Model GZS23HGEWW - White on white
- Model GZS23HGEBB - Black on black



imagination at work