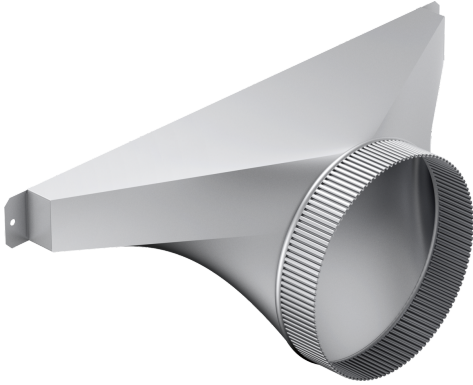


installation accessory
HDDSTRAN8



8" Round Transition Enable Ducting To Be At Sides Or Rear Of Downdraft For Flexible Configurations To Maximize Your Kitchen Design

- **Customize The Direction Of Duct Discharge To Be Left, Right, Or Rear**
- **Rectangular 1-7/8" x 19" Transition To 8" Round**
- **Ability To Use With Ducting Or Elbows With 8" Round Duct Connection**
- **Some Blower Positions May Need Deeper Cabinets. See Installation Guide**
- **For DHG602DUC Flexible Downdraft Blower Used As Inline Installation**

Product group: Accessory
Brand: Bosch
Product name / series name:
SKU: HDDSTRAN8
Internal article number: 00000000000777721
EAN code: 4242002909363
Product Packaging Dimensions (HxWxD): 12.49 x 12.75 x 24.99
Net Weight: 3.000 lbs
Gross Weight: 3.000 lbs
Quantity per packing unit:
Standard number of units per pallet: 20
UPC code: 825225920434
Product image: MCSA02477409_i3922_1851069_CVTSIDE8_def.jpg



installation accessory HDDSTRAN8

8" Round Transition Enable Ducting To Be At Sides Or Rear Of Downdraft For Flexible Configurations To Maximize Your Kitchen Design

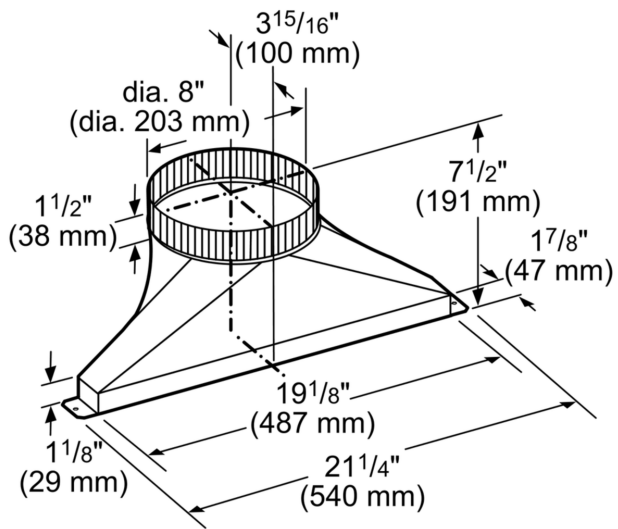
Design

- Customize The Direction Of Duct Discharge To Be Left, Right, Or Rear
- Rectangular 1-7/8" x 19" Transition To 8" Round
- Ability To Use With Ducting Or Elbows With 8" Round Duct Connection
- Some Blower Positions May Need Deeper Cabinets. See Installation Guide

Performance

- For DHG602DUC Flexible Downdraft Blower Used As Inline Installation
- See Installation Guide For Details

installation accessory
HDDSTRAN8



measurements in inches (mm)