

10.7 Cubic Foot Chest Freezer

HFC1104ACW

Available Q2 2016



Unit Specifications

Width	44 11/16"
Depth	28 1/16"
Height	31 7/8"
Weight	110.2 lbs.
UPC	688057211633

More Easy-To-Use Features

- Hold up to 375 lbs of food
- Interior Light (LED)
- 4 Casters (2 with brake)
- Security Lock
- High Temperature Indicator Light
- "Power On" Indicator Light
- Adjustable Thermostat Control
- Easy-Access Defrost Drain
- 2 Removable Baskets
- Space-Saving Flat- Back Design
- Manual Defrost

Signature Features

Casters

Easily move freezer location and secure in place with brakes

Interior Light

Distributes light on food items for clear visibility

Security Lock

Keep items safe and secure for personal use

Indicator Light

Know the freezer is operating at a glance

Warranty

- 1 Year Warranty (Parts and Labor)

- 5 Year Sealed System

Available Finishes



White

Overall Dimensions	in.
Width	44 11/16"
Height (unit with casters but without lid)	32 1/4"
Height (unit with lid but without casters)	31 7/8"
Height (with open lid and casters)	34 2/3"
Depth (with hinge)	28 1/16"
Depth (without hinge)	26 1/4"

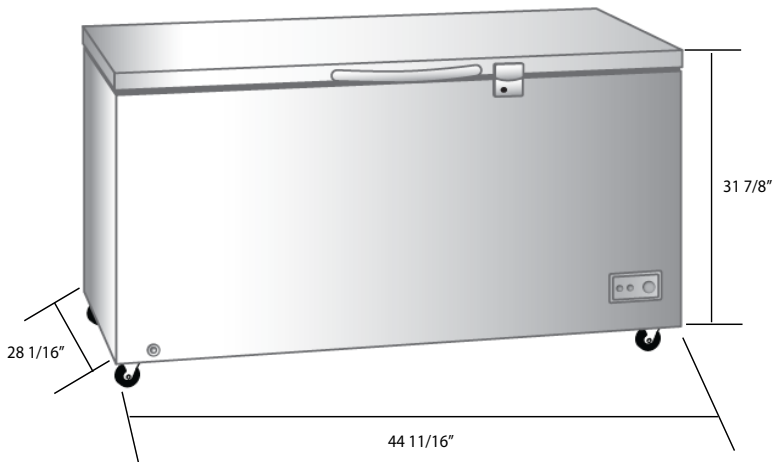
Overall Packaging Details

Packaging	lb./in.
Gross Weight	121.25 lbs.
Dimensions	W 46 5/8"
	D 30 5/16"
	H 34 3/4"

Power Requirements

Electrical Rating	115V, 60Hz
Energy Use	kWh
Refrigerant	R600a

Product Technical Illustration



*HOUSEHOLD FREEZER
*FREE-STANDING INSTALLATION ONLY

General Appliance Information

Please read all installation details and instructions before use.

Contact Us

For questions regarding this product please refer to our website at haieramerica.com or call our customer service center at 877-337-3639.

