

---

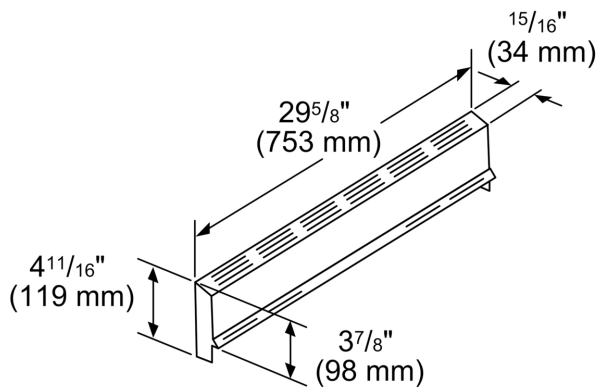
**Back panel**  
**HGZBS301**

Product group: ..... Accessory  
Brand: ..... Bosch  
Product name / series name:  
SKU: .....HGZBS301  
Internal article number: ..... 00000000011007518  
EAN code: .....4242002790800  
Product Packaging Dimensions (HxWxD): ..... 4.52 x 8.34 x 33.54  
Net Weight: ..... 4.000 lbs  
Gross Weight: .....4.000 lbs  
Quantity per packing unit:  
Standard number of units per pallet:  
UPC code: ..... 825225908951



**Back panel  
HGZBS301**

---



measurements in inches