

J2BP85WEL/BEL

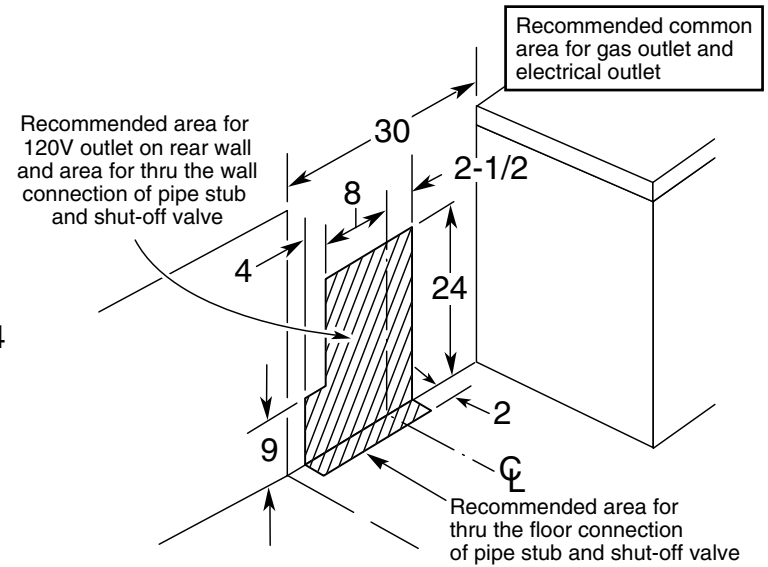
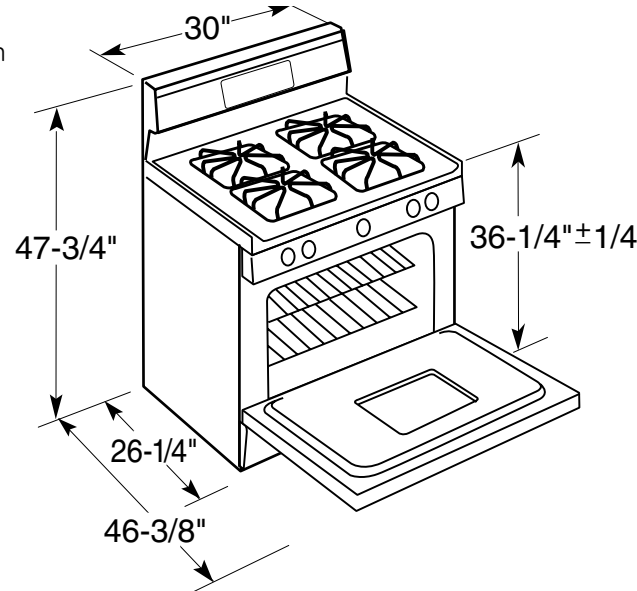
GE Profile™ 30" Free-Standing Dual-Fuel Range

Dimensions and Installation Information (in inches)

Note: Factory set for Natural Gas. A set of LP orifices is included with each range for LP conversion.

Installation Information: Before installing, consult installation instructions packed with product for current dimensional data.

Required: 120V, 15A circuit



For answers to your Monogram,® GE Profile™ or GE® appliance questions, visit our website at ge.com or call GE Answer Center® service, 800.626.2000.

Re:
121



imagination at work



All GE ranges are equipped with an Anti-Tip device. The installation of this device is an important, required step in the installation of the range.



Specification Created 4/06

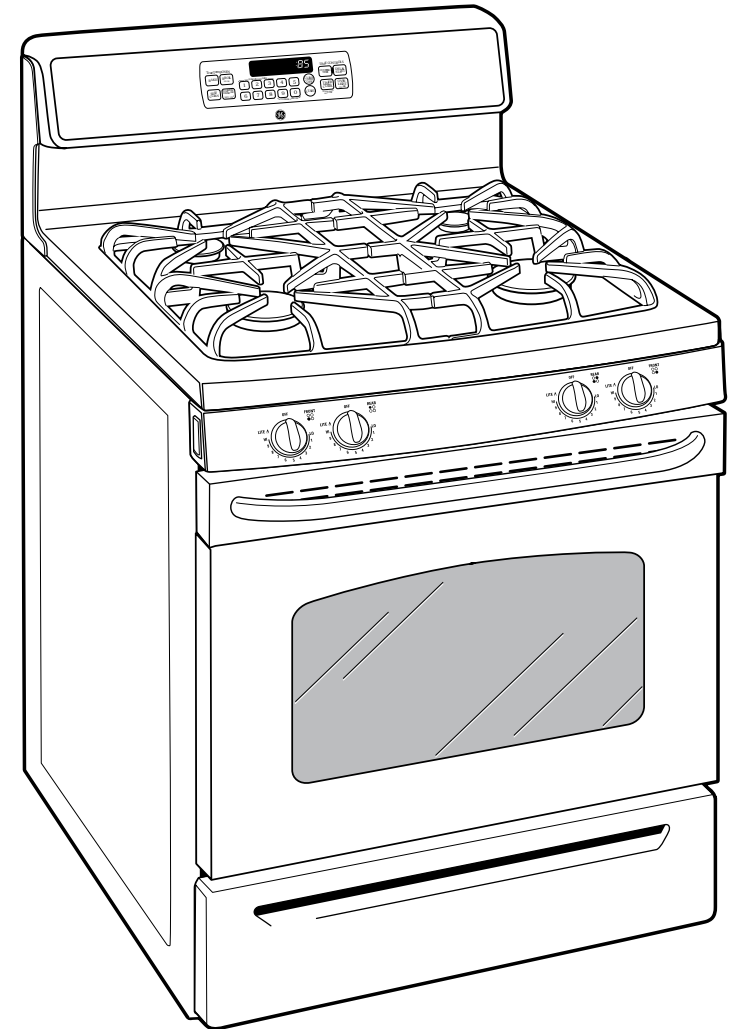
221215

J2BP85WEL/BEL

GE Profile™ 30" Free-Standing Dual-Fuel Range

Features and Benefits

- Electric Oven with Gas Assist - Includes gas assist to increase heat output and reduce the wait it takes to reach the desired temperature setting
- 120-Volt Installation - Allows the dual-fuel range to be plugged into a standard household outlet
- Self-Clean Oven - Conveniently cleans the oven cavity without the need for scrubbing
- Deep Recessed Cooktop - Designed with a recessed surface to help contain spills and make cleaning easy
- PowerBoil™ 15,000 BTU Burner - Delivers 15,000 BTUs of forceful heat for rapid boiling
- Precise Simmer Burner - Offers a low setting of 600 BTUs, ensuring more temperature control for simmering
- Big Hearth Window - Features an enhanced shape to add an elegant appearance and make viewing trouble-free
- QuickSet V Oven Controls - Feature an easy to use design that allows you to set precise cooking temperatures
- Extra-Large Oven Capacity - Provides a large oven interior ideal for cooking more items at once
- Continuous Grates - Provide a flat, sturdy surface allowing easy movement of pans between burners
- Dishwasher-Safe Grates - Feature durable construction for worry-free and effortless cleaning and maintenance
- Model J2BP85WELWW - White on white
- Model J2BP85BELBB - Black on black



imagination at work