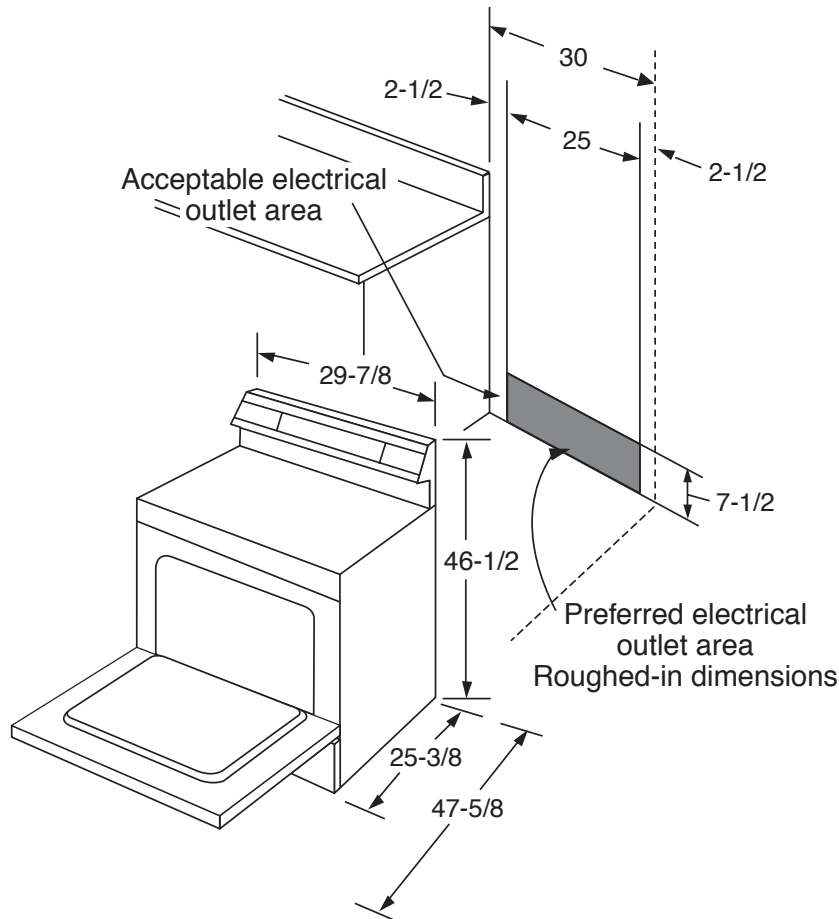




Profile™

JB905SH/TH/KH/BH – GE Profile™ 30" Free-Standing CleanDesign Electric Range

Dimensions (in inches)



KW Rating	
240V	11.6
208V	9.8
Breaker Size	
40 Amps†	

†Note: Check local codes for required breaker size.

Effective January 1, 1996, the National Electrical Code requires that new construction (not existing) utilize a 4-conductor connection to an electric range.

Receptacle Locations

Locally approved flexible service cord or conduit must be used because terminals are not accessible after range installation. See shaded area in drawing for location of electrical outlet box. Recommended outlet locations allow range to be installed directly against wall.

Note: 30" ranges conform to U.L. requirements for 0" spacing from adjacent walls below countertops. To reduce possibility of scorching walls, engineering recommends a minimum of 1-1/2" spacing to allow for possible extended, high-heat, no-load heating element operation.

Installation Information: Before installing, consult installation instructions packed with product for current dimensional data.



All GE ranges are equipped with an Anti-Tip device. The installation of this device is an important, required step in the installation of the range.



Listed by
Underwriters
Laboratories



*Dimension from wall to front of closed door handle is 27-3/8"

Specification Revised 9/04

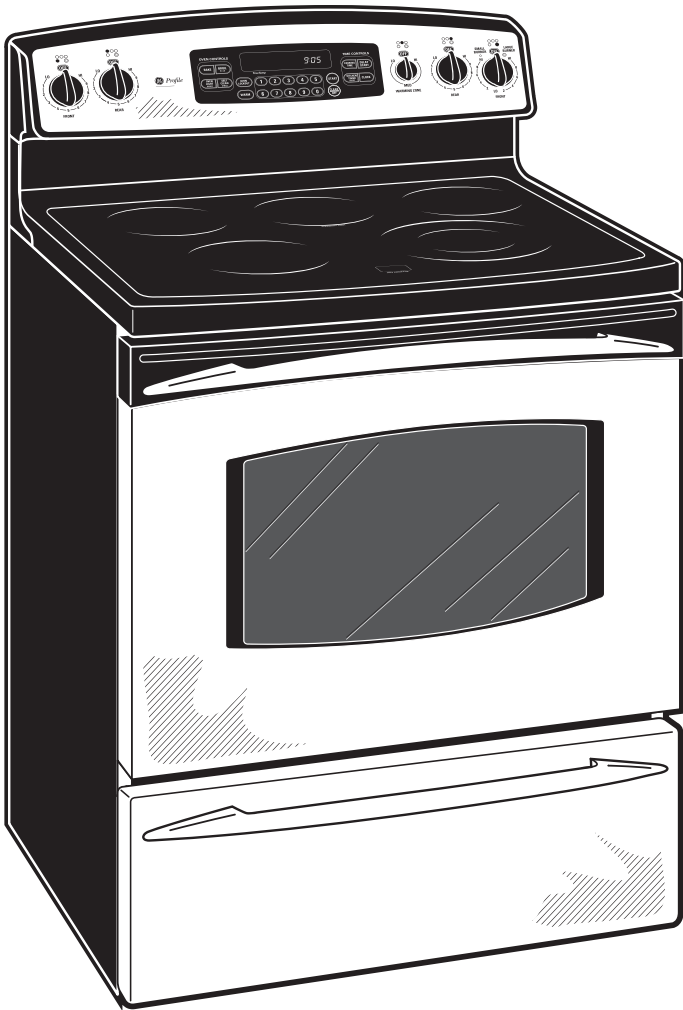
221098

For answers to your Monogram,® GE Profile™ or GE® appliance questions, visit our website at ge.com or call GE Answer Center® service, 800.626.2000.



Profile™

JB905SH/TH/KH/BH – GE Profile™ 30" Free-Standing CleanDesign Electric Range



Features and Benefits

- Self-Cleaning Oven – Conveniently cleans the oven cavity without the need for scrubbing.
- Super Large Oven Capacity – Provides an impressively large oven interior for cooking more dishes and large meals at one time.
- TrueTemp™ System – Delivers even heat distribution and maximum oven control.
- QuickSet VI Glass Touch Oven Controls – Features an easy to use design that allows you to set precise cooking temperatures.
- Dual Size Ribbon Element – Offers a convenient choice of using a 6" or 9" heating element, depending on the size of the pan.
- Warming Zone – Provides low heat capability for foods, making meal coordination simple.
- Ceramic Glass Cooktop – A smooth cooktop surface makes cleaning quick and easy.
- Model JB905SHSS – Stainless steel with black accents
- Model JB905THWW – True white (white door and true white cooktop)
- Model JB905KHCC – True bisque (bisque door and true bisque cooktop)
- Model JB905BHBB – Black on black (black door and black patterned cooktop)